



REPAIR PARTS

CTX**AVJU9 R32 Aurora R410

CTX09AVJU9

CTX12AVJU9

This manual is to be used by qualified technicians only.

Important Information

Index

Functional Parts List	3
Illustration and Parts	4 - 5

Views shown are for parts illustrations only, not servicing procedures.

Text Codes:

AR - As Required

NA - Not Available

NS - Not Shown

00000000 - See Note

QTY - Quantity Example (QTY 3) (If Quantity not shown, Quantity = 1)

M - Model Example (M1) (If M Code not shown, then part is used on all Models)

Expanded Model Nomenclature:

Example
M1 - Model#1
M2 - Model#2
M3 - Model#3

Daikin Comfort Technologies Manufacturing , L.P. is not responsible for personal injury or property damage resulting from improper service. Review all service information before beginning repairs.

Warranty service must be performed by an authorized technician, using authorized factory parts. If service is required after the warranty expires, Daikin Comfort Technologies Manufacturing , L.P. also recommends contacting an authorized technician and using authorized factory parts.

Daikin Comfort Technologies Manufacturing , L.P. reserves the right to discontinue, or change at any time, specifications or designs without notice or without incurring obligations.

For assistance within the U.S.A. contact:
Homeowner Support
Daikin Comfort Technologies Manufacturing , L.P.
19001 Kermier Road
Waller, Texas 77484
855-770-5678-Telephone
713-863-2382-Facsimile

For assistance outside the U.S.A. contact:
International Division
Daikin Comfort Technologies Manufacturing , L.P.
19001 Kermier Road
Waller, Texas 77484
713-861-2500-Telephone
713-863-2382-Facsimile

Functional Parts

Part

No:

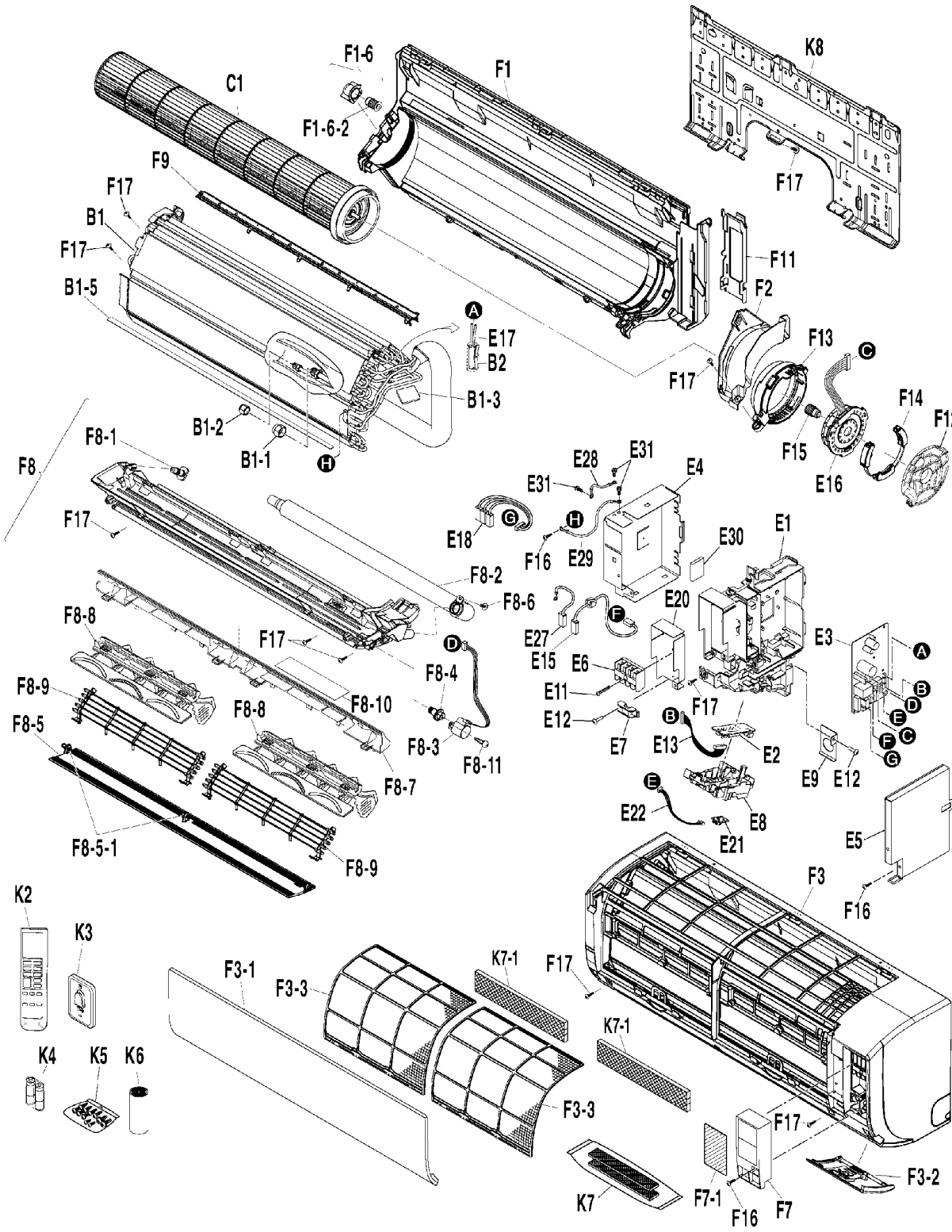
Description:

2556938	HUMIDITY SENSOR
2568126	PRINTED CIRCUIT BOARD ASSY. (M2)
2568125	PRINTED CIRCUIT BOARD ASSY. (M1)
2561391	PRINTED CIRCUIT BOARD ASSY.
2561444	STEPPING MOTOR

Expanded Model Nomenclature

M1 - CTX09AVJU9

M2 - CTX12AVJU9



Ref #	Picture #
1	B1
2	B1-1
3	B1-2
4	B1-3
5	B1-5
6	B2
7	C1
8	E1
9	E11
10	E12
11	E13
12	E15
13	E16
14	E17
15	E18
16	E2
17	E20
18	E21
19	E22
20	E27
21	E28
22	E29
23	E3
24	E30
25	E31
26	E4
27	E5
28	E6
29	E7
30	E8
31	E9
32	F1
33	F11
34	F12
35	F13
36	F14
37	F15
38	F1-6
39	F1-6-2
40	F2
41	F3
42	F3-1
43	F3-2
44	F3-3
45	F7
46	F7-1
47	F8
48	F8-1
49	F8-10
50	F8-11
51	F8-2
52	F8-3
53	F8-4
54	F8-5
55	F8-5-1
56	F8-6
57	F8-7
58	F8-8
59	F8-9
60	F9
61	K2
62	K3
63	K4
64	K5
65	K6
66	K7
67	K7-1
68	K8

Ref. Part No: No:	Description:	Ref. Part No: No:	Description:		
Image 1:		Image 1:			
1	2561429 HEAT EXCHANGER ASSY.	57	4016180 DRAIN PAN STABILIZER		
2	119848J FLARE NUT	58	4015987 DISCH. GRILLE VERT. BLADE (MANUAL) (QTY 2)		
3	5012634 FLARE NUT	59	4022655 FAN GUARD ASSY. (QTY 2)		
4	2565677 PUTTY	60	2561452 SEALING PLATE (TOP)		
5	2538650 SEALING PLATE (HEAT EXCHANGER)	61	2561958 REMOTE CONTROLLER ASSY.		
6	380120J FITTING SPRING/ THERMISTOR	62	183432J HOLDER/ REMOTE CONTROLLER		
7	2561707 CROSS FLOW FAN ASSY.	63	2539271 BATTERY KIT		
8	2561430 EL. COMPO. BOX (WITH SEALING MATERIAL)	64	4020169 SCREW SET		
9	174888J PAN HEAD TAPPING SCREW	65	081957J HEAT INSULATION TAPE		
10	121650J TRUSS HEAD TAPPING SCREW (QTY 2)	66	4017130 PHOTOCATALYST FILTER ASSY.		
11	2561392 WIRE HARNESS (DISPLAY)	67	1840489 AIR-PURIFYING FILTER (QTY 2)		
12	2561388 EARTH WIRE (FG)	68	7900111 INSTALLATION PLATE		
13	2561439 FAN MOTOR STATOR (STD)	Expanded Model Nomenclature			
14	2561438 THERMISTOR ASSY.	<table border="1"> <tr> <td>M1 - CTX09AVJU9</td> </tr> <tr> <td>M2 - CTX12AVJU9</td> </tr> </table>		M1 - CTX09AVJU9	M2 - CTX12AVJU9
M1 - CTX09AVJU9					
M2 - CTX12AVJU9					
15	2561432 WIRE HARNESS (POWER)				
16	2561391 PRINTED CIRCUIT BOARD ASSY.				
17	2561433 SHIELD PLATE (TERMINAL)				
18	2556938 HUMIDITY SENSOR				
19	2561435 WIRE HARNESS (HUMIDITY SENSOR)				
20	2561395 EARTH WIRE (TERMINAL STRIP)				
21	2561437 EARTH WIRE (HEAT EXCHANGER)				
22	2561397 EARTH WIRE (HEAT EXCHANGER)				
23	2568125 PRINTED CIRCUIT BOARD ASSY. (M1)				
23	2568126 PRINTED CIRCUIT BOARD ASSY. (M2)				
24	2559803 INSULATION SHEET (RADIATION)				
25	2374334 PAN HEAD MACHINE SCREW S-TIGHT (QTY 3)				
26	2561431 SHIELD PLATE (1)				
27	2561453 SHIELD PLATE (2)				
28	2531967 TERMINAL STRIP				
29	0812847 WIRE CLAMP				
30	2561434 INDICATION LAMP COVER				
31	2561398 CONDUIT MOUNTING PLATE				
32	2561442 BOTTOM FRAME ASSY.				
33	6024489 PIPING FIXTURE				
34	2561441 MOTOR COVER (CAP) ASSY.				
35	2561440 MOTOR COVER ASSY.				
36	4023758 RUBBER GROMMET				
37	2540555 FAN BEARING VIBRATION ABSORBER				
38	7900101 FAN BEARING ASSY.				
39	156867J VIBRATION ABSORBER/ FAN BEARING				
40	2561454 RIGHT SIDE PANEL ASSY.				
41	2561448 FRONT GRILLE ASSY.				
42	2561449 PANEL				
43	2561450 CONTROL PANEL ASSY.				
44	2561451 AIR FILTER (QTY 2)				
45	2564323 SERVICE COVER ASSY.				
46	2565674 CAUTION LABEL (ELECTRIC SHOCK)				
47	2564319 DRAIN PAN ASSY.				
48	6028456 DRAIN PLUG				
49	2564320 CAUTION LABEL (DRAIN PAN)				
50	5011480 PAN HEAD TAPPING SCREW				
51	2547544 DRAIN HOSE				
52	2561444 STEPPING MOTOR				
53	2561445 SHAFT (HORI.)				
54	2561446 DISCH. GRILLE HOR. BLADE ASSY.				
55	2561412 SHAFT (QTY 2)				
56	170429J TAPPING SCREW				