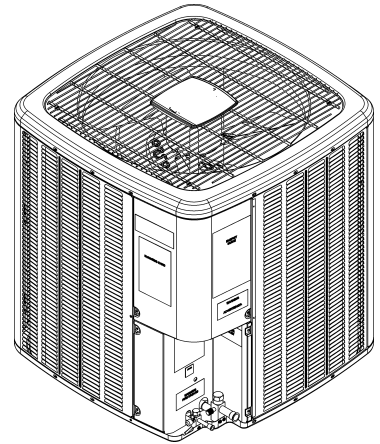




REPAIR PARTS

GSZM40 Remote Air Conditioner

GSZM401810AA
GSZM402410AA
GSZM403010AA
GSZM403610AA



This manual is to be used by qualified technicians only.

© 2022 Goodman Manufacturing Company, L.P. ♦ 19001 Kermier Rd. ♦ Waller, TX 77484

Important Information

Index

Functional Parts List	3
Illustration and Parts	4 - 9

Views shown are for parts illustrations only, not servicing procedures.

Text Codes:

AR - As Required

NA - Not Available

NS - Not Shown

00000000 - See Note

QTY - Quantity Example (QTY 3) (If Quantity not shown, Quantity = 1)

M - Model Example (M1) (If M Code not shown, then part is used on all Models)

Expanded Model Nomenclature:

Example
M1 - Model#1
M2 - Model#2
M3 - Model#3

Goodman Manufacturing Company, L.P. is not responsible for personal injury or property damage resulting from improper service. Review all service information before beginning repairs.

Warranty service must be performed by an authorized technician, using authorized factory parts. If service is required after the warranty expires, Goodman Manufacturing Company, L.P. also recommends contacting an authorized technician and using authorized factory parts.

Goodman Manufacturing Company, L.P. reserves the right to discontinue, or change at any time, specifications or designs without notice or without incurring obligations.

For assistance within the U.S.A. contact:
Homeowner Support
Goodman Manufacturing Company, L.P.
19001 Kermier Road
Waller, Texas 77484
877-254-4729-Telephone
713-863-2382-Facsimile

For assistance outside the U.S.A. contact:
International Division
Goodman Manufacturing Company, L.P.
19001 Kermier Road
Waller, Texas 77484
713-861-2500-Telephone
713-863-2382-Facsimile

Functional Parts

Part

No: Description:

0151R00216	ADJUSTABLE VALVE, TXV R410A (M4)
0151R00213	ADJUSTABLE VALVE, TXV R410A (M1, M2)
0151R00215	ADJUSTABLE VALVE, TXV R410A (M3)
0151R00185	BASE VALVE 3/4" (M1, M2, M3)
0151R00187	BASE VALVE 3/8"
0151R00186	BASE VALVE 7/8" (M4)
CAB050350440CS	CAP, 5/35 MFD/440V RD - BPRF (M1, M2, M3)
CAB050400440CT	CAP, 5/40 MFD/440V RD - BPRF (M4)
ZP25K7EPFV130	COMP, 208/230/60/1 (M3)
ZP31K7EPFV130	COMP, 208/230/60/1 (M4)
ZP14K7EPFV130	COMPRESSOR, 1.5 TON (M1)
ZP20K7EPFV130	COMPRESSOR, 2 TON (M2)
CONT1P030024V	CONT, 1 POLE, 30 AMP, 24 VAC
0130M00723	CONTROL, DEFROST
0130M00106	DISC THERMOSTAT CRNKCS HTR SW
0130M00349	DISC-THERMOSTAT
0150M00008	FAN BLADE, 22" TNT2203-25 (M1, M2, M3)
0150M00066	FAN BLADE, 26" (M4)
0163R00006	HEATER, CRANKCASE 230V, 40W
0131M00753	MOTOR, 1/6HP, 1SP, 8PL, AL (M1, M2, M3)
0131M00945	MOTOR, 1/6HP, 8PL (M4)
PCBDM133	PCB, DEFROST CONTROL
0151R00071	REVERSING VALVE (M4)
0151R00068	REVERSING VALVE (M1, M2, M3)
B1225022	SOLENOID COIL
0130M00089	SW-CUTOUT HI PRESS
0130M00088	SW-CUTOUT LOW PRESS

SPECIAL PARTS

0161R00092 NAMEPLATE, GOODMAN

Expanded Model Nomenclature

M1 - GSZM401810AA

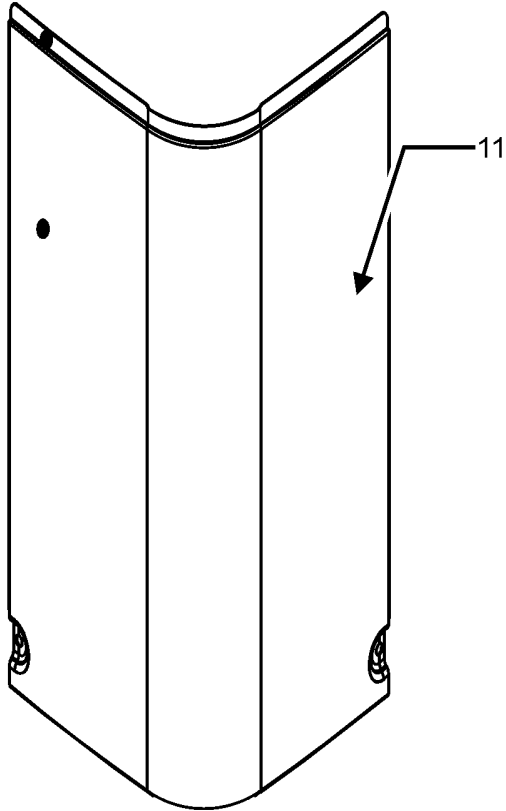
M2 - GSZM402410AA

M3 - GSZM403010AA

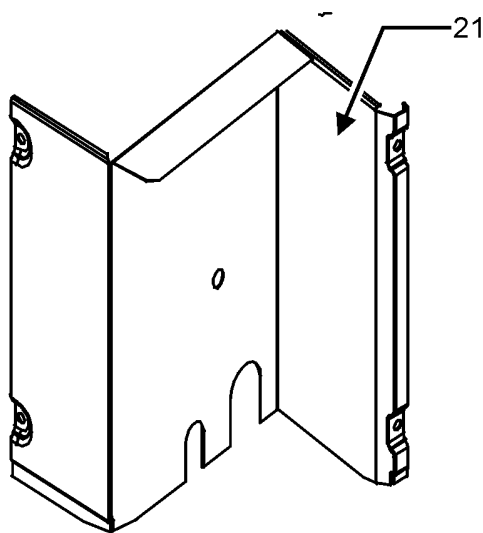
M4 - GSZM403610AA

Control Panel Assembly

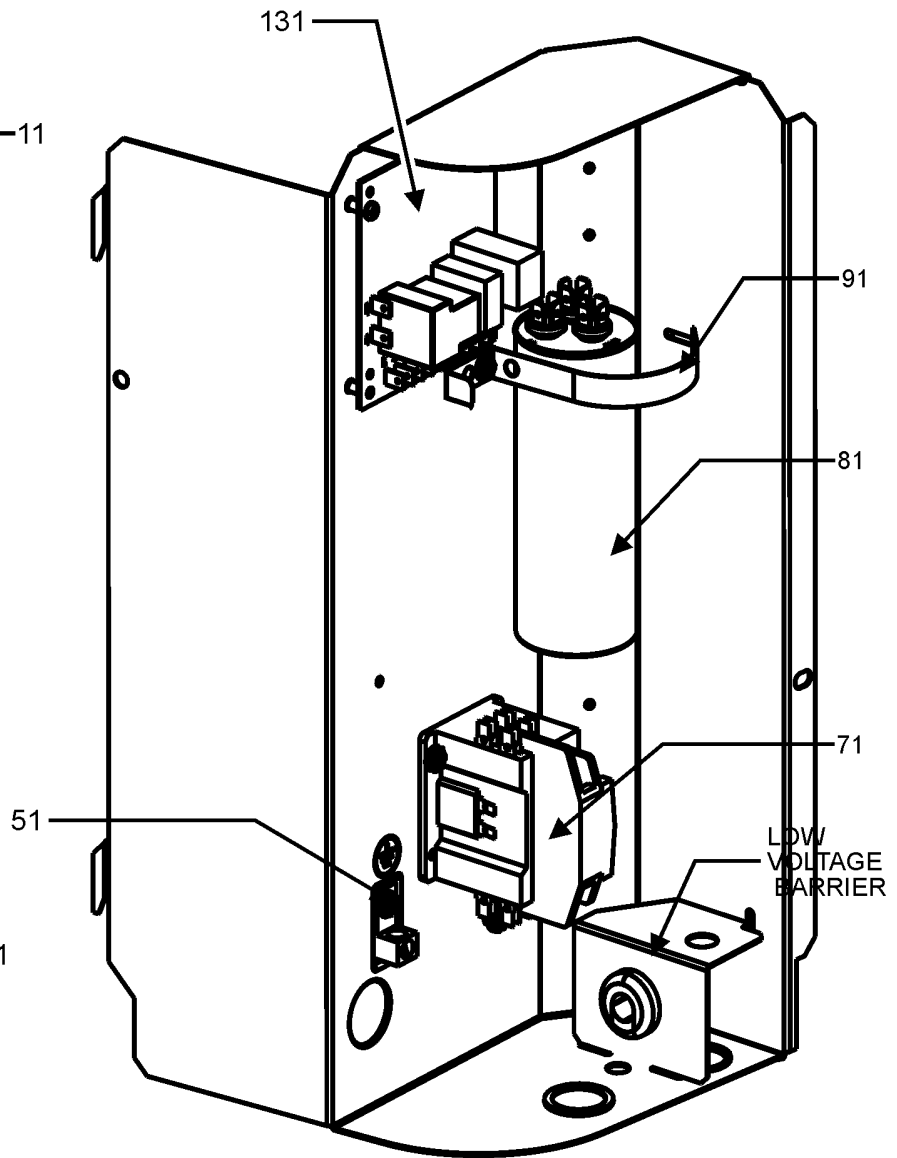
CONTROL PANEL ASSEMBLY



CONTROL COVER PANEL



LOWER ACCESS PANEL



CONTROL PANEL

CONTROL PANEL ASSEMBLY MAY DIFFER FROM WHAT IS SHOWN

Control Panel Assembly

Ref. Part No:	No:	Description:	Ref. Part No:	No:	Description:
---------------	-----	--------------	---------------	-----	--------------

Image 1:

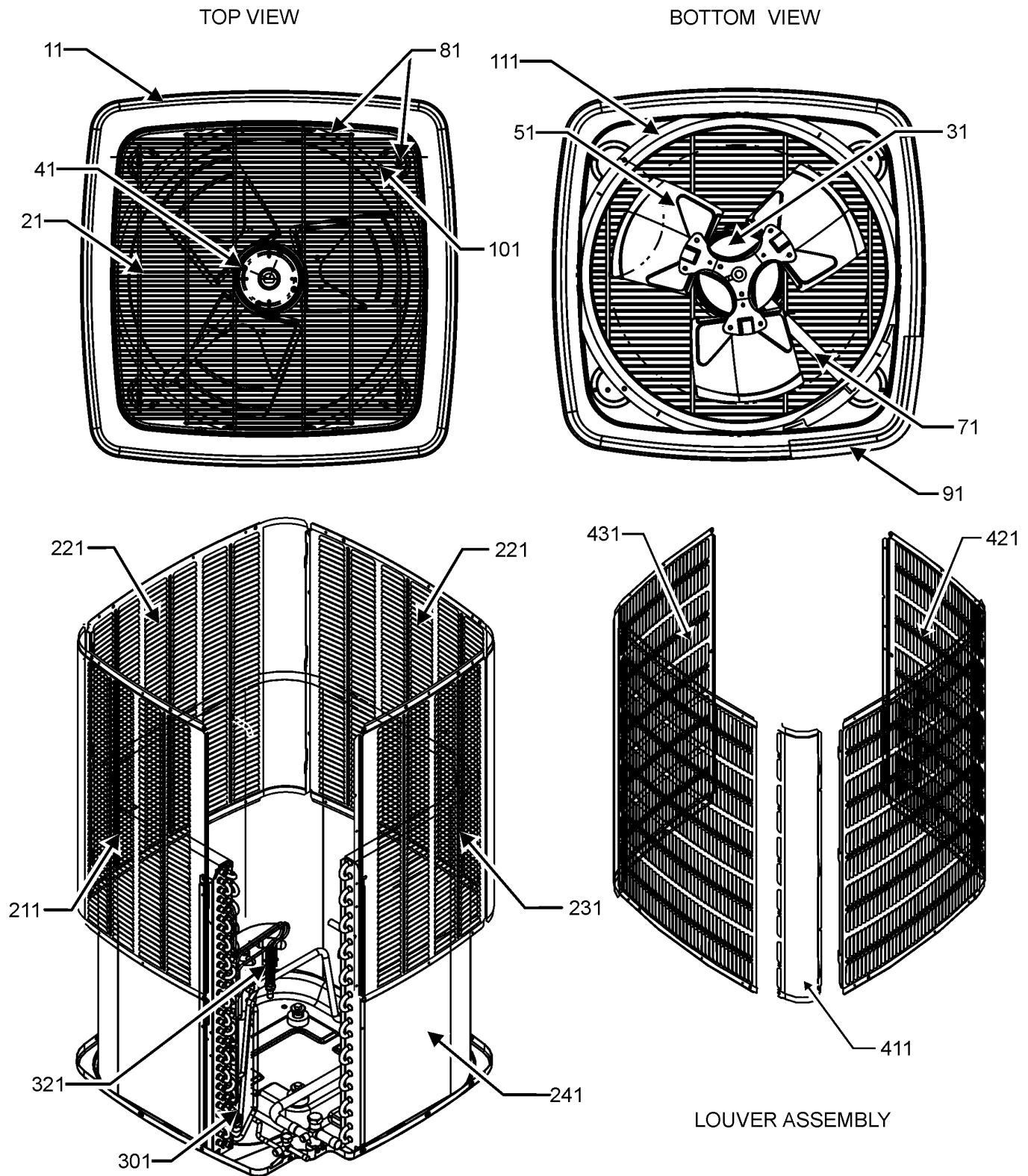
11	0121R00909PDG	PNL, LWR ACCESS (M3, M4)
11	0121R00912PDG	PNL, LWR ACCESS (M1, M2)
21	0121R00937PDG	CONTROL COVER, PNT
51	B1378533	LUG GROUND SMALL 4T
71	CONT1P030024V	CONT, 1 POLE, 30 AMP, 24 VAC
81	CAB050350440CS	CAP, 5/35 MFD/440V RD - BPRF (M1, M2, M3)
81	CAB050400440CT	CAP, 5/40 MFD/440V RD - BPRF (M4)
91	4400065	CAPACITOR STRAP
131	PCBDM133	PCB, DEFROST CONTROL
NS	0161R00092	NAMEPLATE, GOODMAN

Expanded Model Nomenclature

M1 - GSZM401810AA
M2 - GSZM402410AA
M3 - GSZM403010AA
M4 - GSZM403610AA

Top Panel and Louver Assembly

TOP PANEL AND LOUVER ASSEMBLY



TOP PANEL AND LOUVER ASSEMBLY MAY DIFFER FROM WHAT IS SHOWN

Top Panel and Louver Assembly

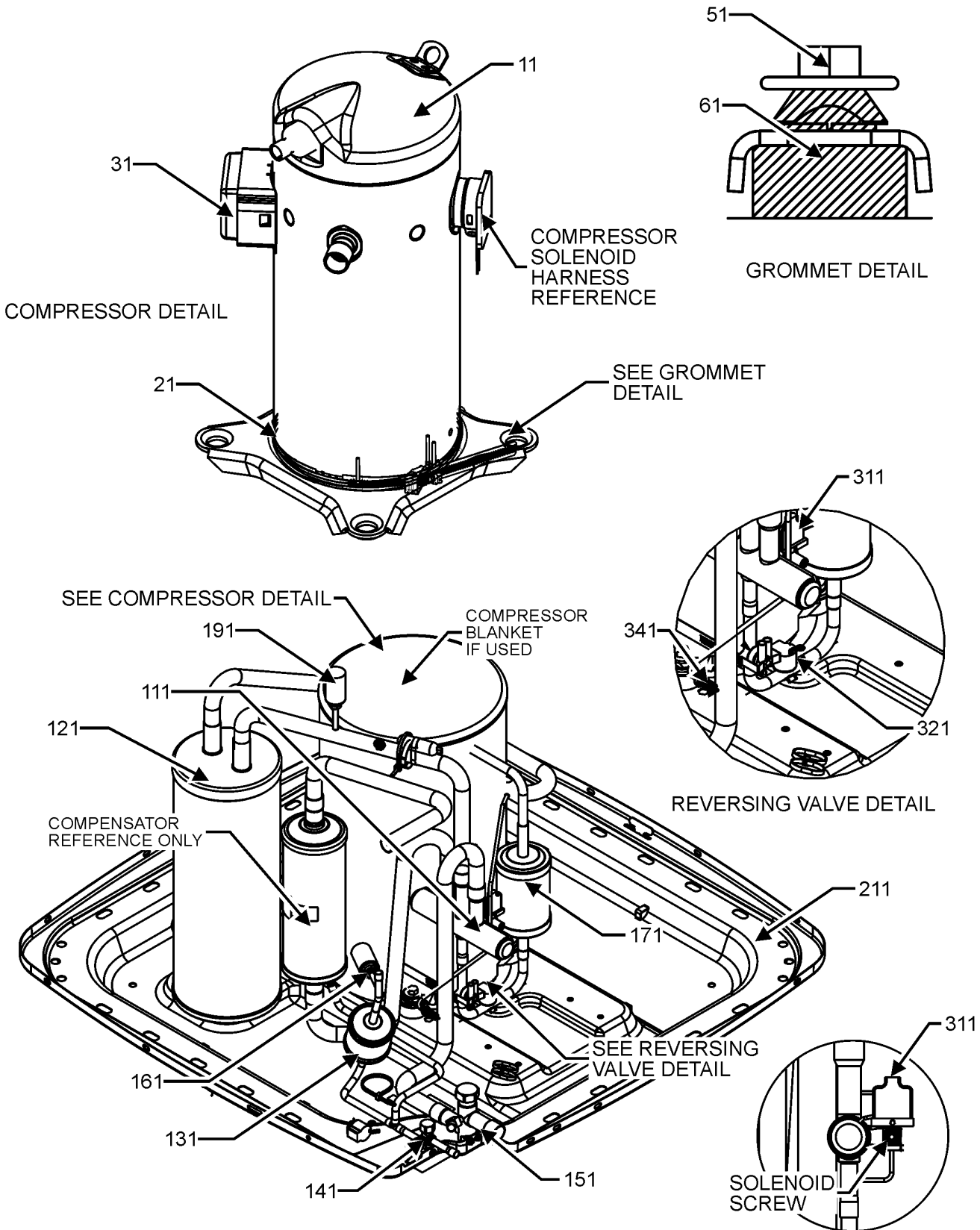
Ref. Part No:	Ref. Part No:	Description:	Description:
Image 1:			
11	0121R00935PDG	PANEL, TOP 29. PNT (M1, M2, M3)	
11	0121R00936PDG	TOP PANEL, 35. PNT (M4)	
21	0152R00025	29" GRILLE CFS (M1, M2, M3)	
21	0152R00026	GRILL, WIRE 35. TOP (M4)	
31	0131M00753	MOTOR, 1/6HP, 1SP, 8PL, AL (M1, M2, M3)	
31	0131M00945	MOTOR, 1/6HP, 8PL (M4)	
41	0163M00006P	NUT ACORN 5/16 HEX BLACK (QTY 4)	
51	0150M00008	FAN BLADE, 22" TNT2203-25 (M1, M2, M3)	
51	0150M00066	FAN BLADE, 26" (M4)	
71	0161R00002P	CONDUIT (M1, M2, M3)	
71	0161R00100	CONDUIT (M4)	
81	0163M00003P	SCREW #10 X 1/2, A, SLOT, SR, BLACK (QTY 6)	
91	0154R00045	GASKET CONTROL PANEL	
101	0163M00004	SCREW #10X3/4" BLK	
111	0161R00104	29" VENTURI CFS (M1, M2, M3)	
111	0161R00105	35" VENTURI CFS (M4)	
211	0121R00229PDG	PANEL 1, LOUVER 35, 37.8 5MM, PNT (M4)	
221	0121R00232PDG	PANEL 2, LOUVER 35 (M4)	
231	0121R00235PDG	PANEL 3, LOUVER 35, 37.8 (M4)	
241	0201R00764	COIL TUBING ASSY (M4)	
241	0201R00766	COIL TUBING ASSY (M3)	
241	0201R00766	COIL TUBING ASSY (M3)	
241	0201R00818	COIL TUBING ASSY (M1, M2)	
301	0130M00723	CONTROL, DEFROST	
321	0151R00213	ADJUSTABLE VALVE, TXV R410A (M1, M2)	
321	0151R00215	ADJUSTABLE VALVE, TXV R410A (M3)	
321	0151R00216	ADJUSTABLE VALVE, TXV R410A (M4)	
411	0121R00352PDG	Louver Post, PDG 32.51 (M1, M2)	
411	0121R00354PDG	Louver Post, PDG 36.30 (M3)	
421	0121R00344PDGR	Louver Panel, PDG 29" _32.51 (M1, M2)	
421	0121R00346PDGR	Louver Panel, PDG 29" _36.30 (M3)	
431	0121R00344PDGL	Louver Panel, PDG 29" _32.51 (M1, M2)	
431	0121R00346PDGL	Louver Panel, PDG 29" _36.30 (M3)	
NS	0163M00005P	WASHER BLACK .50 OD .218BD (QTY 4)	
NS	0163M00005P	WASHER, BLACK (.50 OD .218ID) (QTY 4)	

Expanded Model Nomenclature

- | |
|-------------------|
| M1 - GSZM401810AA |
| M2 - GSZM402410AA |
| M3 - GSZM403010AA |
| M4 - GSZM403610AA |

Compressor and Tubing Assembly

TUBING ASSEMBLY



TUBING ASSEMBLY MAY DIFFER FROM WHAT IS SHOWN

Compressor and Tubing Assembly

Ref. Part No:	Part No:	Description:	Ref. Part No:	Part No:	Description:
---------------	----------	--------------	---------------	----------	--------------

Image 1:

11	ZP25K7EPFV130	COMP, 208/230/60/1 (M3)
11	ZP31K7EPFV130	COMP, 208/230/60/1 (M4)
11	ZP14K7EPFV130	COMPRESSOR, 1.5 TON (M1)
11	ZP20K7EPFV130	COMPRESSOR, 2 TON (M2)
21	0163R00006	HEATER, CRANKCASE 230V, 40W
31	0159R00021	HARNESS, COMP SCROLL (M4)
31	0159R00001P	HARNESS, COMP SCROLL 130 42" (M1, M2, M3)
51	M0221641	TF SHOULDER SCREW (QTY 4)
61	B1339533	COMPRESSOR GROMMET (QTY 4)
111	0151R00068	REVERSING VALVE (M1, M2, M3)
111	0151R00071	REVERSING VALVE (M4)
121	B1226207	ACCUMULATOR (M3, M4)
121	0151R00004P	ACCUMULATOR 3/4 (M1, M2)
131	0162R00056	FILTER/DRIER-BI-FLOW
141	0151R00187	BASE VALVE 3/8"
151	0151R00185	BASE VALVE 3/4" (M1, M2, M3)
151	0151R00186	BASE VALVE 7/8" (M4)
161	0130M00089	SW-CUTOUT HI PRESS
171	0162R00007	MUFFLER 1/2 X 1/2
191	0130M00088	SW-CUTOUT LOW PRESS
211	0121R00006PDG	BASE PAN 29" (M1, M2, M3)
211	0121R00007PDG	BASE PAN 35" (M4)
311	0130M00410	REVERSING VALVE HARNESS
321	0130M00106	DISC THERMOSTAT CRNKCS HTR SW
331	0130M00349	DISC-THERMOSTAT
341	B1787000	VALVE CORE
NS	0163M00175	CAP WITH O-RING
NS	B1225022	SOLENOID COIL

Expanded Model Nomenclature

- | |
|-------------------|
| M1 - GSZM401810AA |
| M2 - GSZM402410AA |
| M3 - GSZM403010AA |
| M4 - GSZM403610AA |