



REPAIR PARTS

GLZS4BA Remote Heat Pump

GLZS4BA3610AA
GLZS4BA4210AA
GLZS4BA4810AA
GLZS4BA6010AA



This manual is to be used by qualified technicians only.

© 2024 Goodman Manufacturing Company, L.P. ♦ 19001 Kermier Rd. ♦ Waller, TX 77484

Important Information

Index

Functional Parts List	3
Illustration and Parts	4 - 9

Views shown are for parts illustrations only, not servicing procedures.

Text Codes:

AR - As Required

NA - Not Available

NS - Not Shown

00000000 - See Note

QTY - Quantity Example (QTY 3) (If Quantity not shown, Quantity = 1)

M - Model Example (M1) (If M Code not shown, then part is used on all Models)

Expanded Model Nomenclature:

Example M1 - Model#1 M2 - Model#2 M3 - Model#3

Goodman Manufacturing Company, L.P. is not responsible for personal injury or property damage resulting from improper service. Review all service information before beginning repairs.

Warranty service must be performed by an authorized technician, using authorized factory parts. If service is required after the warranty expires, Goodman Manufacturing Company, L.P. also recommends contacting an authorized technician and using authorized factory parts.

Goodman Manufacturing Company, L.P. reserves the right to discontinue, or change at any time, specifications or designs without notice or without incurring obligations.

For assistance within the U.S.A. contact:
Homeowner Support
Goodman Manufacturing Company, L.P.
19001 Kermier Road
Waller, Texas 77484
877-254-4729-Telephone
713-863-2382-Facsimile

For assistance outside the U.S.A. contact:
International Division
Goodman Manufacturing Company, L.P.
19001 Kermier Road
Waller, Texas 77484
713-861-2500-Telephone
713-863-2382-Facsimile

Functional Parts

Part

No: Description:

0151R00287	BASE VALVE 3/8", R32
CAB050400440CT	CAP, 5/40 MFD/440V RD - BPRF (M1)
CAB050450440CT	CAP, 5/45 MFD/440V RD - BPRF (M2, M3)
CAB050800440CT	CAP, 5/80 MFD/440V RD - BPRF (M4)
YP31K1TPFVASE	COMPRESSOR (M1)
YP34K1TPFVASC	COMPRESSOR (M2)
YP40K1TPFVASC	COMPRESSOR (M3)
YP51K1TPFVASC	COMPRESSOR (M4)
CONT1P030024D	CONT, 1 POLE, 30 AMP, 24VAC
0130M00250	CONTROL, DEFROST (M3, M4)
0130M00884	CONTROL, DEFROST (M1, M2)
PCBDM133	DEFROST CONTROL BOARD
0130M00106	DISC THERMOSTAT(CRANKCS HTR SW)
0150M00066	FAN BLADE, 26"
0163R00006	HEATER, CRANKCASE 230V, 40W (M1)
0163R00007	HEATER, CRANKCASE 230V, 40W (M2, M3, M4)
0130M20002	HIGH PRESSURE SWITCH
0130M00088	LOW PRESSURE SWITCH
0131M00807	MOTOR, 1/4HP,1SP,8PL,AL (M2, M3, M4)
0131M00945	MOTOR, 1/6HP, 8PL (M1)
0151R00071	REVERSING VALVE (M2, M3, M4)
0151R00288	REVERSING VALVE (M1)
B1225022	SOLENOID COIL
0151R00257	VALVE, ADJUSTABLE (M1)
0151R00259	VALVE, ADJUSTABLE (M3)

SPECIAL PARTS

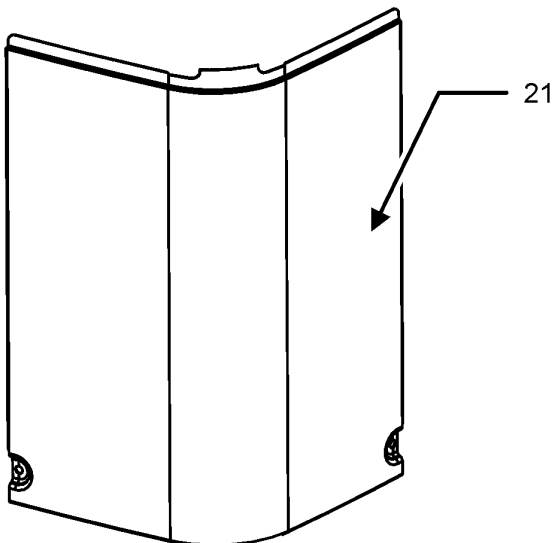
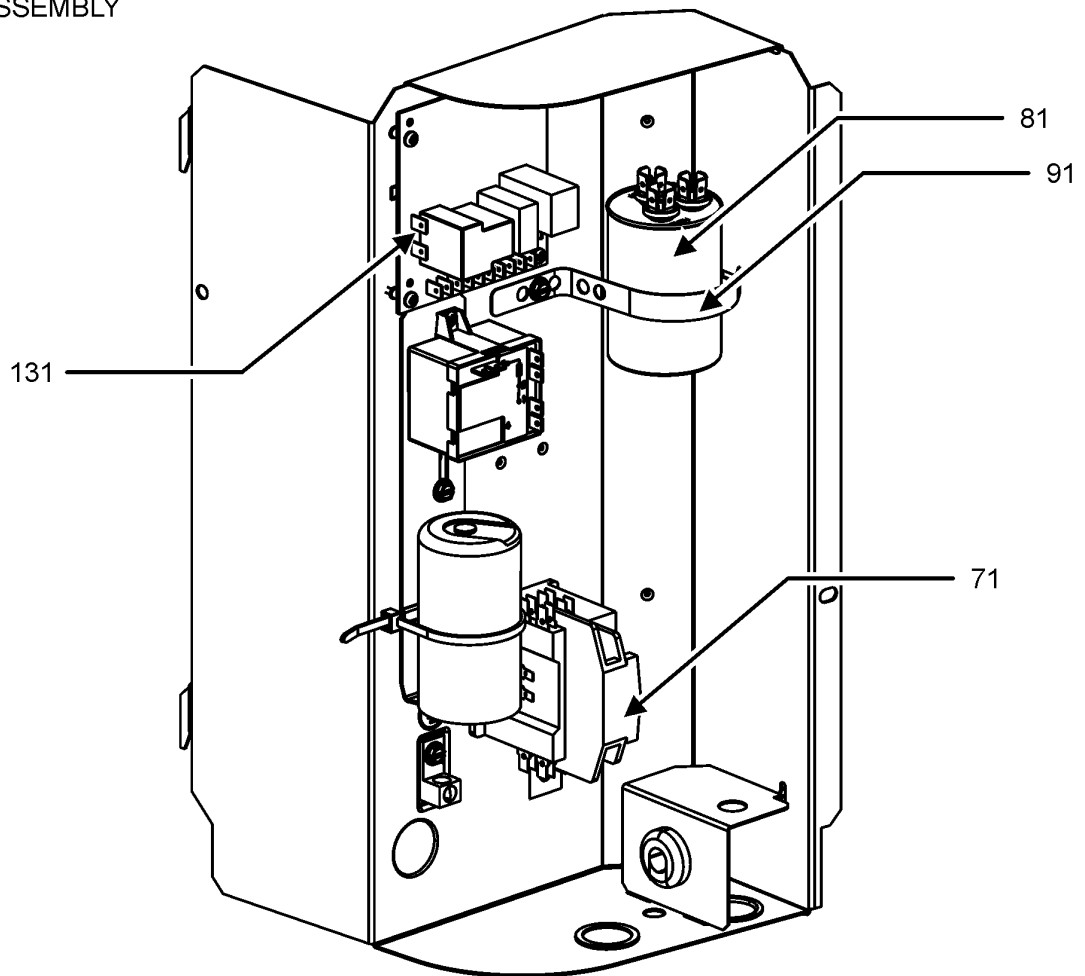
0161R00092 NAMEPLATE, GOODMAN

Expanded Model Nomenclature

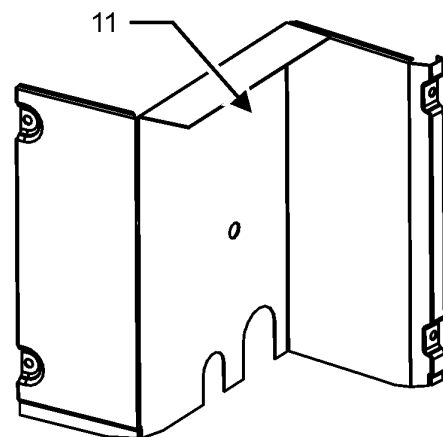
M1 - GLZS4BA3610AA
M2 - GLZS4BA4210AA
M3 - GLZS4BA4810AA
M4 - GLZS4BA6010AA

Control Box Assembly

CONTROL PANEL ASSEMBLY



CONTROL ACCESS PANEL



LOWER ACCESS PANEL

CONTROL PANEL ASSEMBLY MAY DIFFER FROM WHAT IS SHOWN

Control Box Assembly

Ref. Part No:	No:	Description:	Ref. Part No:	No:	Description:
---------------	-----	--------------	---------------	-----	--------------

Image 1:

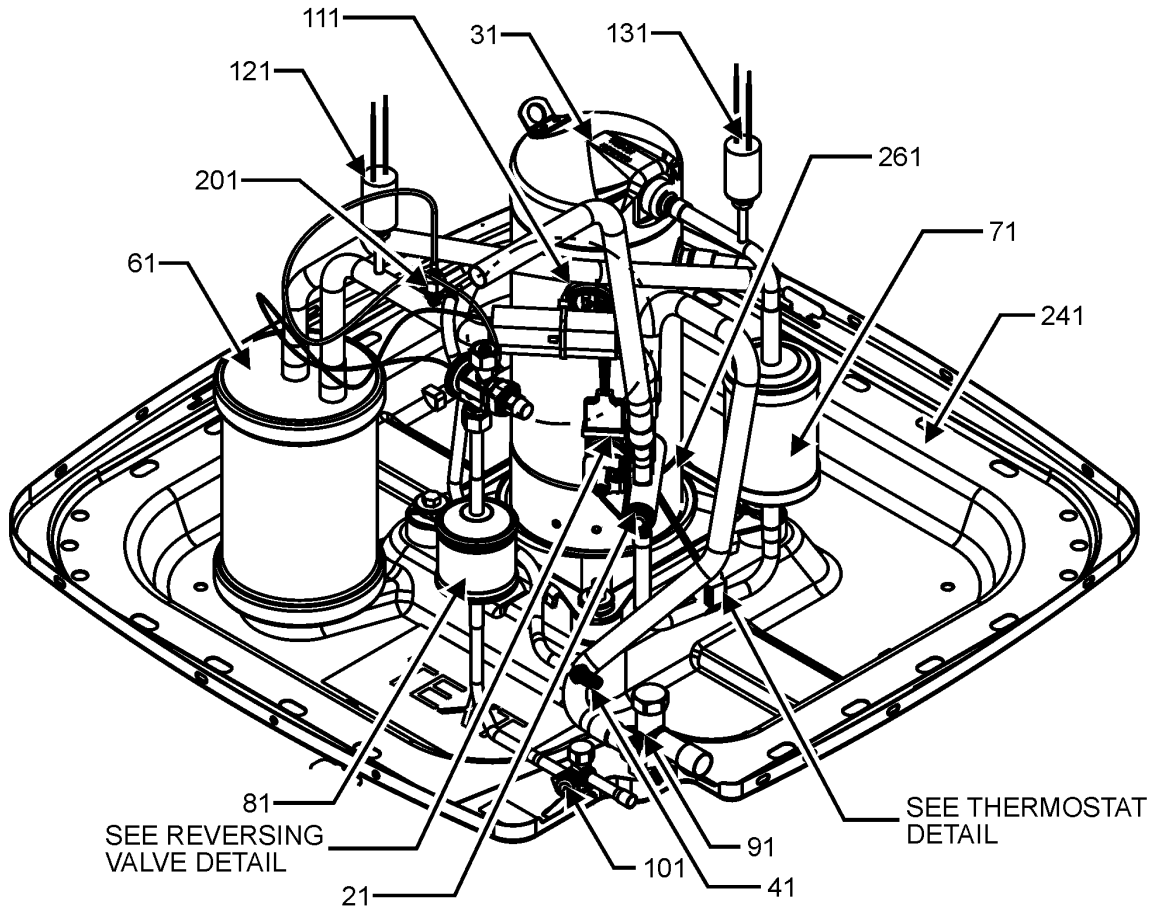
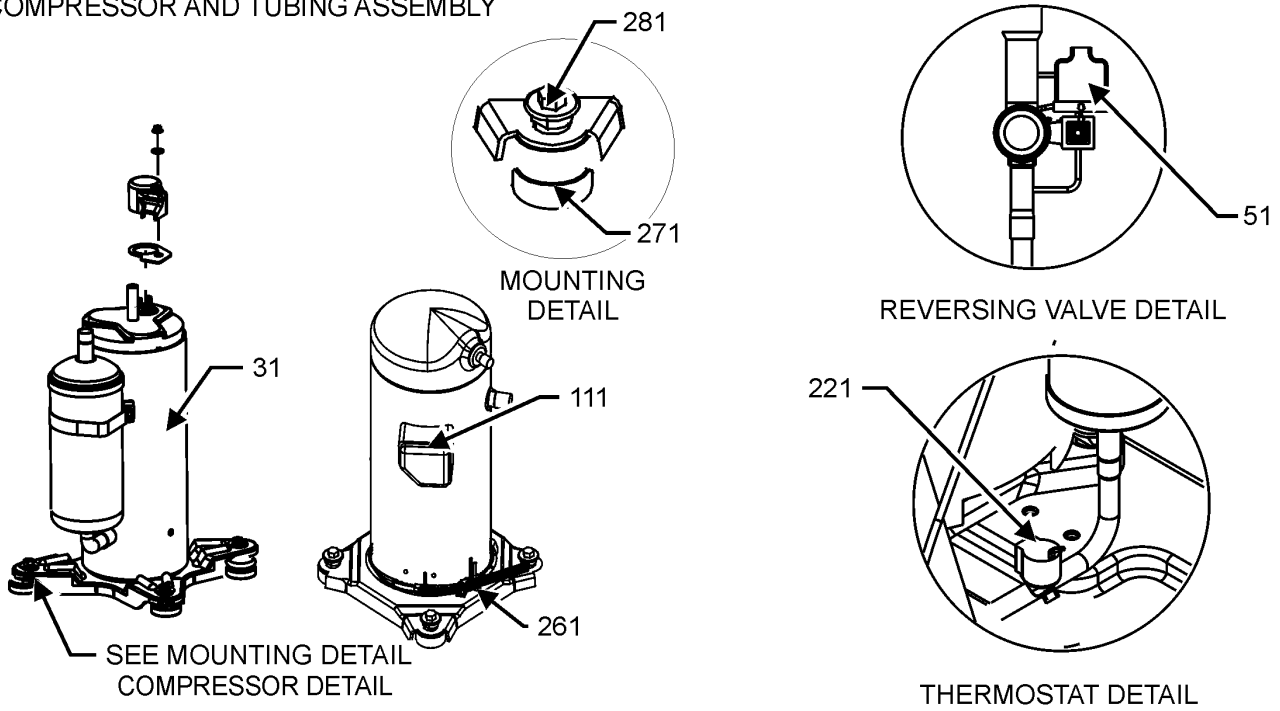
11	0121R00912PDG	PNL, LWR ACCESS (M1, M2)
11	0121R00916PDG	PNL, LWR ACCESS (M4)
11	0121R00917PDG	PNL, LWR ACCESS (M3)
21	0121R00937PDG	PNL, CONTROL COVER
71	CONT1P030024D	CONT, 1 POLE, 30 AMP, 24VAC
81	CAB050400440CT	CAP, 5/40 MFD/440V RD - BPRF (M1)
81	CAB050450440CT	CAP, 5/45 MFD/440V RD - BPRF (M2, M3)
81	CAB050800440CT	CAP, 5/80 MFD/440V RD - BPRF (M4)
91	4400065	CAPACITOR STRAP
131	PCBDM133	DEFROST CONTROL BOARD
NS	0161R00092	NAMEPLATE, GOODMAN

Expanded Model Nomenclature

M1 - GLZS4BA3610AA
M2 - GLZS4BA4210AA
M3 - GLZS4BA4810AA
M4 - GLZS4BA6010AA

Compressor and Tubing Assembly

COMPRESSOR AND TUBING ASSEMBLY



COMPRESSOR AND TUBING ASSEMBLY MAY DIFFER FROM WHAT IS SHOWN

Compressor and Tubing Assembly

Ref. Part No:	Ref. Part No:	Description:	Description:
---------------	---------------	--------------	--------------

Image 1:

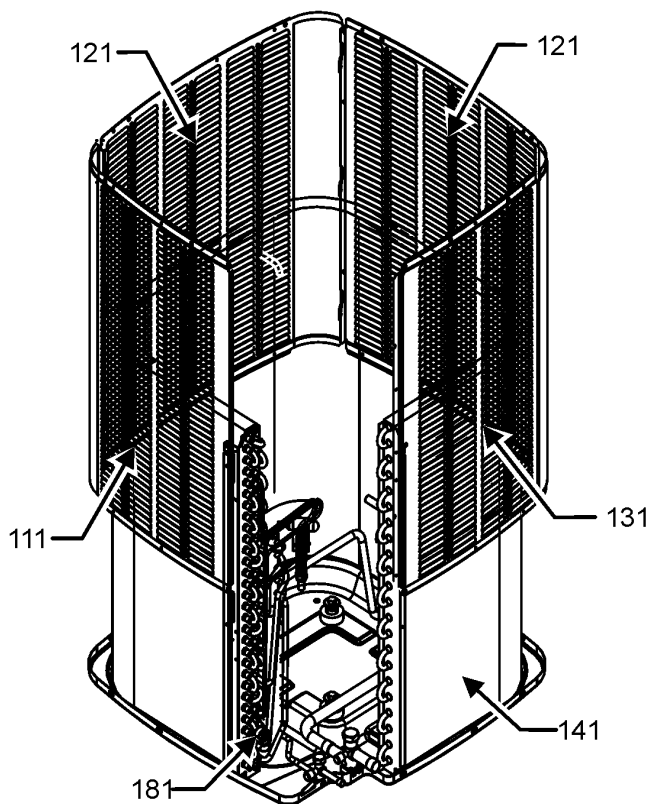
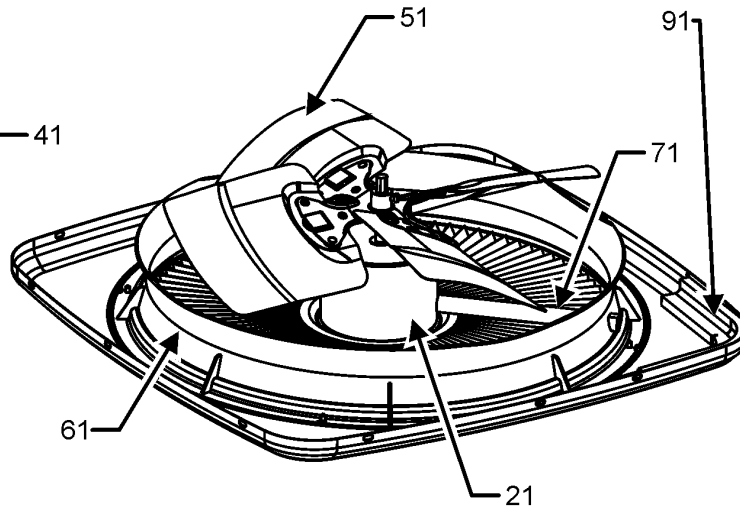
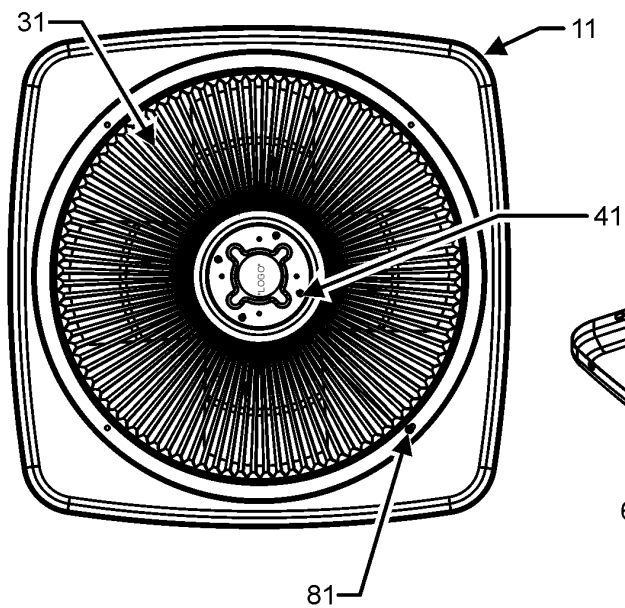
21	0151R00071	REVERSING VALVE (M2, M3, M4)
21	0151R00288	REVERSING VALVE (M1)
31	YP31K1TPFVASE	COMPRESSOR (M1)
31	YP34K1TPFVASC	COMPRESSOR (M2)
31	YP40K1TPFVASC	COMPRESSOR (M3)
31	YP51K1TPFVASC	COMPRESSOR (M4)
41	0151M00104	VALVE CORE
51	0130M00410	REVERSING VALVE HARNESS
61	0151L00009	ACCUMULATOR (M3, M4)
61	B1226207	ACCUMULATOR (M1, M2)
71	0162R00007	MUFFLER 1/2 X 1/2
81	0162R00056	FILTER/DRIER-BI-FLOW
91	0151R00286	BASE VALVE 7/8", R32
101	0151R00287	BASE VALVE 3/8", R32
111	0159R00021	HARNESS, COMP SCROLL (M1)
111	0159R00002P	HARNESS, COMP SCROLL 130 46" (M2, M3, M4)
121	0130M00088	LOW PRESSURE SWITCH
131	0130M20002	HIGH PRESSURE SWITCH
201	0151R00257	VALVE, ADJUSTABLE (M1)
201	0151R00258	VALVE, ADJUSTABLE (M2)
201	0151R00259	VALVE, ADJUSTABLE (M3)
201	0151R00260	VALVE, ADJUSTABLE (M4)
221	0130M00106	DISC THERMOSTAT(CRNKCS HTR SW)
241	0121R01090PDG	PAINTED BASE PAN 35.5"
261	0163R00006	HEATER, CRANKCASE 230V, 40W (M1)
261	0163R00007	HEATER, CRANKCASE 230V, 40W (M2, M3, M4)
271	B1339533	COMPRESSOR GROMMET (QTY 4)
281	M0221641	TF SHOULDER SCREW (QTY 4)
NS	0163M00629	RED CAP WITH O-RING
NS	B1225022	SOLENOID COIL

Expanded Model Nomenclature

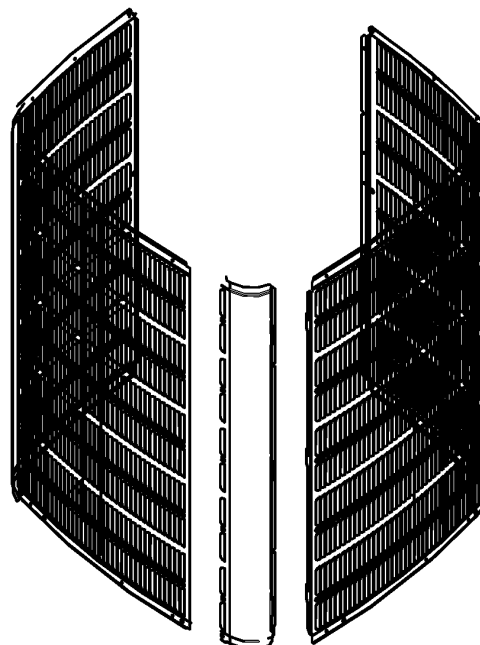
M1 - GLZS4BA3610AA
M2 - GLZS4BA4210AA
M3 - GLZS4BA4810AA
M4 - GLZS4BA6010AA

Top Panel and Louver Panel Assembly

TOP PANEL AND LOUVER PANEL ASSEMBLY



LOUVER PANEL ASSEMBLY
STYLE 1



LOUVER PANEL ASSEMBLY
STYLE 2

TOP PANEL AND LOUVER PANEL ASSEMBLY MAY DIFFER FROM WHAT IS SHOWN

Top Panel and Louver Panel Assembly

Ref. Part No:	Ref. Part No:	Description:	Description:
---------------	---------------	--------------	--------------

Image 1:

11	0121R00936PDG	TOP PANEL, 35. PNT
21	0131M00807	MOTOR, 1/4HP,1SP,8PL,AL (M2, M3, M4)
21	0131M00945	MOTOR, 1/6HP, 8PL (M1)
31	0152R00026	GRILL, WIRE 35. TOP
41	0163M00006P	ACORN NUT 5/16 HEX BLACK (QTY 4)
51	0150M00066	FAN BLADE, 26"
61	0161R00105	35" VENTURI CFS
71	0161R00005P	CONDUIT
81	0163M00004	SCREW #10 X3/4", BLK (QTY 4)
91	0154R00045	GASKET, CONTROL PANEL
111	0121R00228PDG	PANEL 1, LOUVER 35, 5MM, PNT (M1, M2)
111	0121R00592PDG	PANEL 1, LOUVER 35_34.64 PNT (M3)
111	0121R00593PDG	PANEL 1, LOUVER 35_39.84 PNT (M4)
121	0121R00231PDG	PANEL 2, LOUVER 35, 5MM, PNT (M1, M2)
121	0121R00594PDG	PANEL 2, LOUVER 35_34.64 PNT (M3)
121	0121R00595PDG	PANEL 2, LOUVER 35_39.84 PNT (M4)
131	0121R00234PDG	PANEL 3, LOUVER 35, 5MM, PNT (M1, M2)
131	0121R00596PDG	PANEL 3, LOUVER 35_34.64 PNT (M3)
131	0121R00597PDG	PANEL 3, LOUVER 35_39.84 PNT (M4)
141	0201R00780	COIL TUBING ASSY (M3)
141	0201R00851	COIL TUBING ASSY (M1)
141	0201R00852	COIL TUBING ASSY (M2)
141	0201R00859	COIL TUBING ASSY (M4)
181	0130M00250	CONTROL, DEFROST (M3, M4)
181	0130M00884	CONTROL, DEFROST (M1, M2)
NS	0163M00005P	WASHER, BLACK (.50 OD .218ID) (QTY 4)

Expanded Model Nomenclature

M1 - GLZS4BA3610AA
M2 - GLZS4BA4210AA
M3 - GLZS4BA4810AA
M4 - GLZS4BA6010AA