



# REPAIR PARTS

## GLZS4BA Remote Heat Pump

GLZS4BA1810AA  
GLZS4BA2410AA  
GLZS4BA3010AA  
GLZS4BA3610AA  
GLZS4BA4210AA  
GLZS4BA4810AA  
GLZS4BA6010AA



This manual is to be used by qualified technicians only.

This manual replaces RP-G4339

© 2024 Goodman Manufacturing Company, L.P. ♦ 19001 Kermier Rd. ♦ Waller, TX 77484

# Important Information

---

## Index

Functional Parts List .....	3
Illustration and Parts .....	4 - 9

*Views shown are for parts illustrations only, not servicing procedures.*

### Text Codes:

AR - As Required

NA - Not Available

NS - Not Shown

00000000 - See Note

QTY - Quantity Example (QTY 3) (If Quantity not shown, Quantity = 1)

M - Model Example (M1) (If M Code not shown, then part is used on all Models)

### Expanded Model Nomenclature:

Example
M1 - Model#1
M2 - Model#2
M3 - Model#3

Goodman Manufacturing Company, L.P. is not responsible for personal injury or property damage resulting from improper service. Review all service information before beginning repairs.

Warranty service must be performed by an authorized technician, using authorized factory parts. If service is required after the warranty expires, Goodman Manufacturing Company, L.P. also recommends contacting an authorized technician and using authorized factory parts.

Goodman Manufacturing Company, L.P. reserves the right to discontinue, or change at any time, specifications or designs without notice or without incurring obligations.

For assistance within the U.S.A. contact:  
Homeowner Support  
Goodman Manufacturing Company, L.P.  
19001 Kermier Road  
Waller, Texas 77484  
877-254-4729-Telephone  
713-863-2382-Facsimile

For assistance outside the U.S.A. contact:  
International Division  
Goodman Manufacturing Company, L.P.  
19001 Kermier Road  
Waller, Texas 77484  
713-861-2500-Telephone  
713-863-2382-Facsimile

# Functional Parts

**Part No:**            **Description:**

0151R00285	BASE VALVE 3/4", R32 (M1, M2, M3)
0151R00287	BASE VALVE 3/8", R32
0151R00286	BASE VALVE 7/8", R32 (M4, M5, M6, M7)
CAB050400440CT	CAP, 5/40 MFD/440V RD - BPRF (M1, M2, M4)
CAB050450440CT	CAP, 5/45 MFD/440V RD - BPRF (M3, M5, M6)
CAB050800440CT	CAP, 5/80 MFD/440V RD - BPRF (M7)
0130R00239	CAPACITOR, HARD START (M1, M2)
0130R00238	CAPACITOR, HARD START (M3)
YP34K1TPFVASC	COMPRESSOR (M5)
YP51K1TPFVASC	COMPRESSOR (M7)
YP40K1TPFVASC	COMPRESSOR (M6)
YP31K1TPFVASE	COMPRESSOR (M4)
55Y622UV-ZALQ	COMPRESSOR R-32 (M3)
50Y4929V-ZALM	COMPRESSOR R-32 (M1, M2)
CONT1P030024D	CONT, 1 POLE, 30 AMP, 24VAC
0130M00884	CONTROL, DEFROST (M1, M2, M3, M4, M5)
0130M00250	CONTROL, DEFROST (M6, M7)
PCBDM133	DEFROST CONTROL BOARD
0130M00106	DISC THERMOSTAT(CRNKCS HTR SW)
0150M00008	FAN BLADE, 22" TNT2203-25 (M1, M2, M3)
0150M00066	FAN BLADE, 26" (M4, M5, M6, M7)
0163R00007	HEATER, CRANKCASE 230V, 40W (M5, M6, M7)
0163R00006	HEATER, CRANKCASE 230V, 40W (M1, M2, M3, M4)
0130M20002	HIGH PRESSURE SWITCH
0130M00088	LOW PRESSURE SWITCH
0131M00807	MOTOR, 1/4HP, 1SP, 8PL, AL (M5, M6, M7)
0131M00753	MOTOR, 1/6HP, 1SP, 8PL, AL (M1, M2, M3)
0131M00945	MOTOR, 1/6HP, 8PL (M4)
0130M00851	PREWIRED RELAY HARD START (M1, M2, M3)
0151R00288	REVERSING VALVE (M1, M2, M3, M4)
0151R00071	REVERSING VALVE (M5, M6, M7)
B1225022	SOLENOID COIL
0151R00256	VALVE, ADJUSTABLE (M1, M2, M3)
0151R00257	VALVE, ADJUSTABLE (M4)
0151R00258	VALVE, ADJUSTABLE (M5)
0151R00260	VALVE, ADJUSTABLE (M7)
0151R00259	VALVE, ADJUSTABLE (M6)

**Expanded Model Nomenclature**

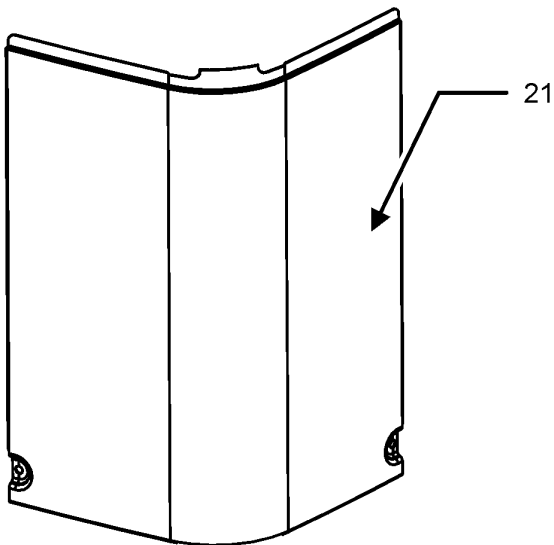
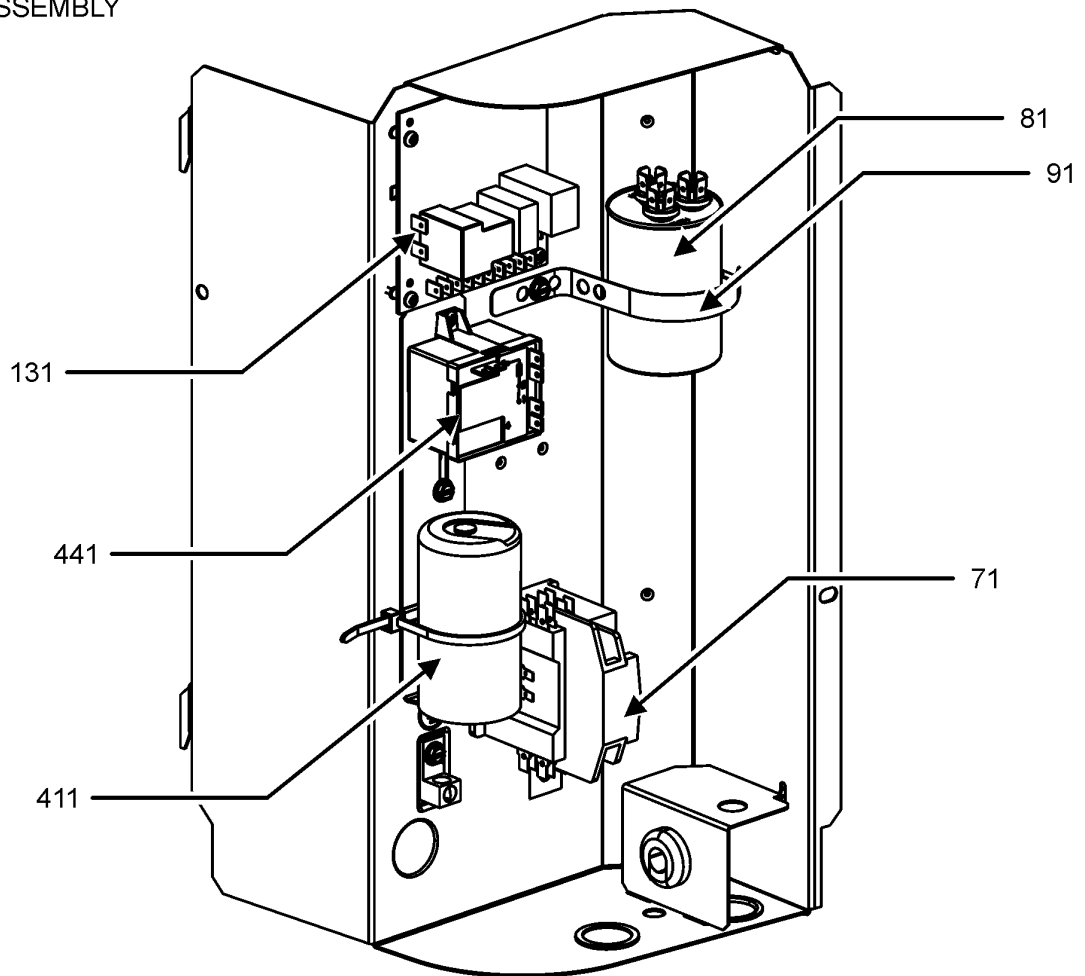
M1 - GLZS4BA1810AA
M2 - GLZS4BA2410AA
M3 - GLZS4BA3010AA
M4 - GLZS4BA3610AA
M5 - GLZS4BA4210AA
M6 - GLZS4BA4810AA
M7 - GLZS4BA6010AA

**SPECIAL PARTS**

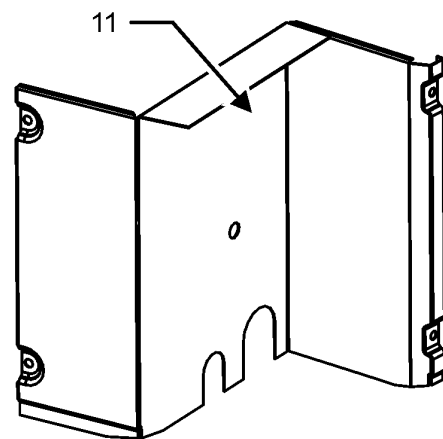
0161R00092	NAMEPLATE, GOODMAN
------------	--------------------

# Control Box Assembly

## CONTROL PANEL ASSEMBLY



CONTROL ACCESS PANEL



LOWER ACCESS PANEL

CONTROL PANEL ASSEMBLY MAY DIFFER FROM WHAT IS SHOWN

# Control Box Assembly

Ref. Part No:	No:	Description:	Ref. Part No:	No:	Description:
---------------	-----	--------------	---------------	-----	--------------

---

**Image 1:**

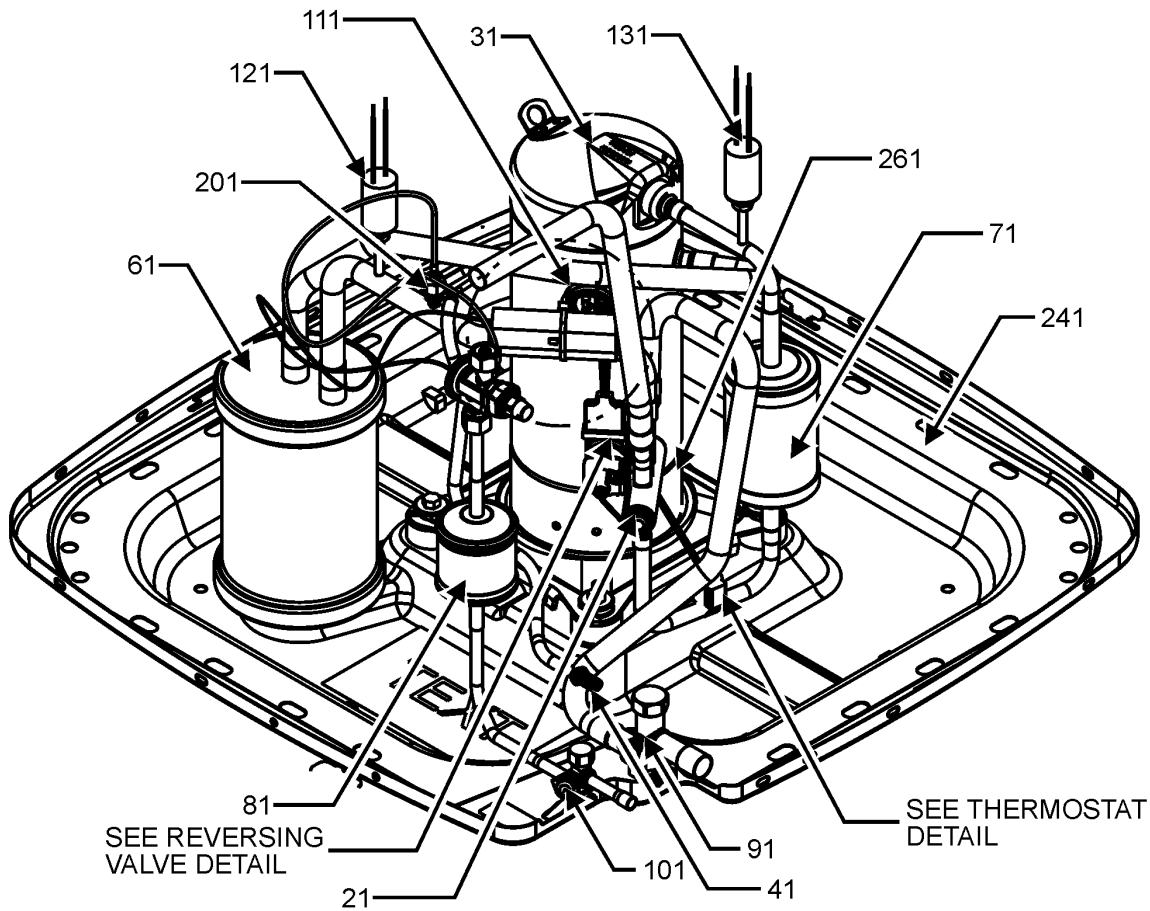
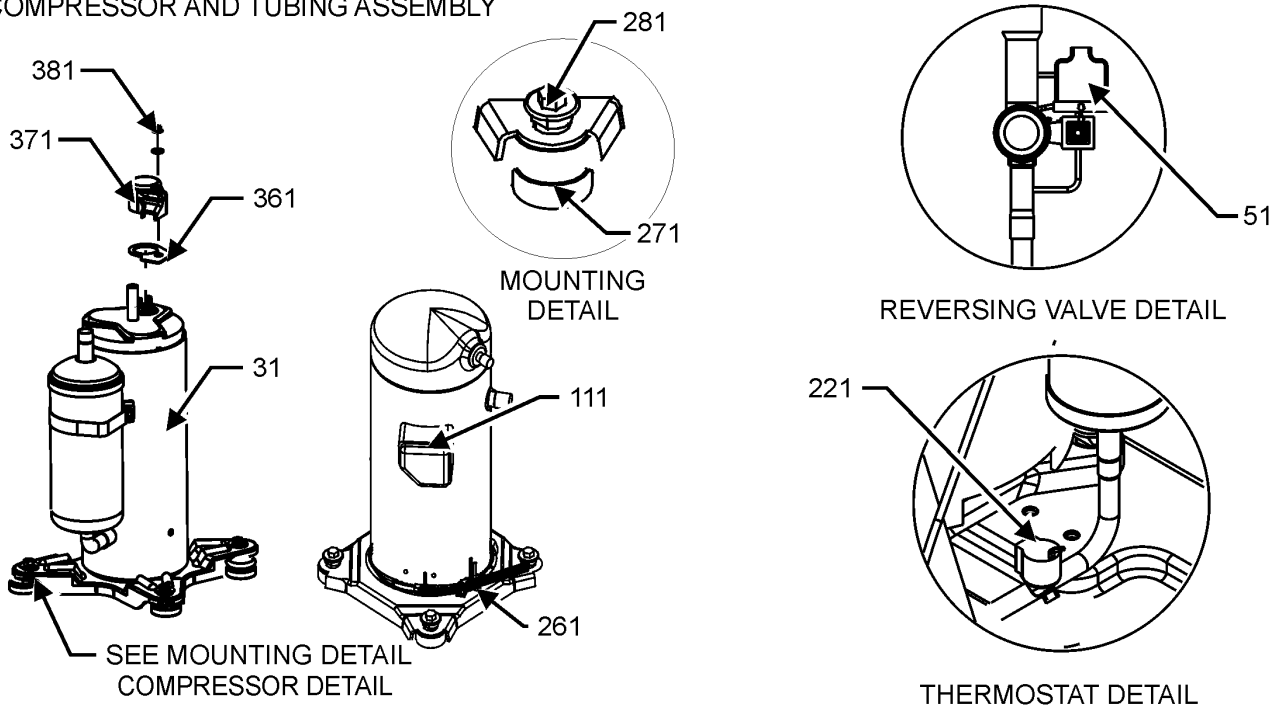
11	0121R00909PDG	PNL, LWR ACCESS (M3)
11	0121R00912PDG	PNL, LWR ACCESS (M4, M5)
11	0121R00916PDG	PNL, LWR ACCESS (M7)
11	0121R00917PDG	PNL, LWR ACCESS (M6)
11	0121R00919PDG	PNL, LWR ACCESS (M1, M2)
21	0121R00937PDG	PNL, CONTROL COVER
71	CONT1P030024D	CONT, 1 POLE, 30 AMP, 24VAC
81	CAB050400440CT	CAP, 5/40 MFD/440V RD - BPRF (M1, M2, M4)
81	CAB050450440CT	CAP, 5/45 MFD/440V RD - BPRF (M3, M5, M6)
81	CAB050800440CT	CAP, 5/80 MFD/440V RD - BPRF (M7)
91	4400065	CAPACITOR STRAP
131	PCBDM133	DEFROST CONTROL BOARD
411	0130R00238	CAPACITOR, HARD START (M3)
411	0130R00239	CAPACITOR, HARD START (M1, M2)
441	0130M00851	PREWIRED RELAY HARD START (M1, M2, M3)
NS	0161R00092	NAMEPLATE, GOODMAN

**Expanded Model Nomenclature**

- M1 - GLZS4BA1810AA
- M2 - GLZS4BA2410AA
- M3 - GLZS4BA3010AA
- M4 - GLZS4BA3610AA
- M5 - GLZS4BA4210AA
- M6 - GLZS4BA4810AA
- M7 - GLZS4BA6010AA

# Compressor and Tubing Assembly

## COMPRESSOR AND TUBING ASSEMBLY



COMPRESSOR AND TUBING ASSEMBLY MAY DIFFER FROM WHAT IS SHOWN

# Compressor and Tubing Assembly

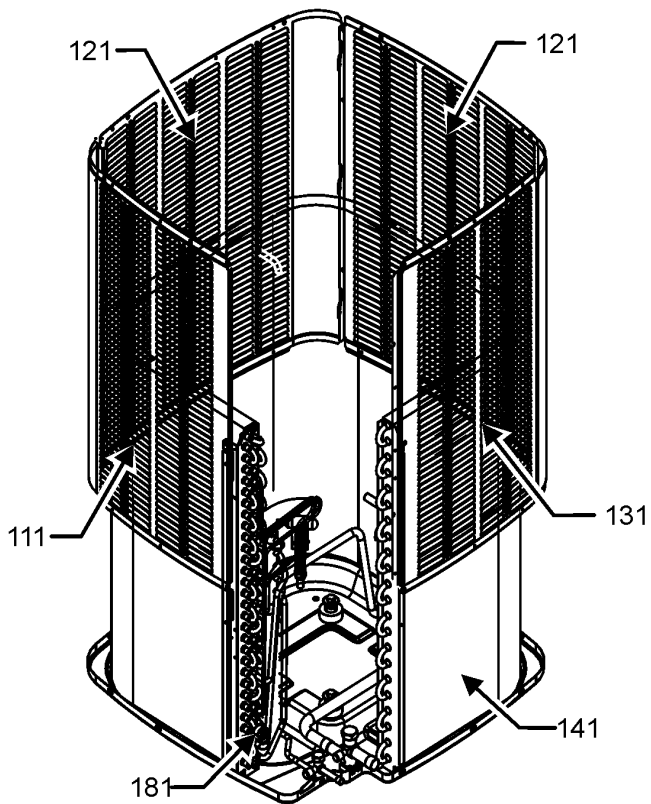
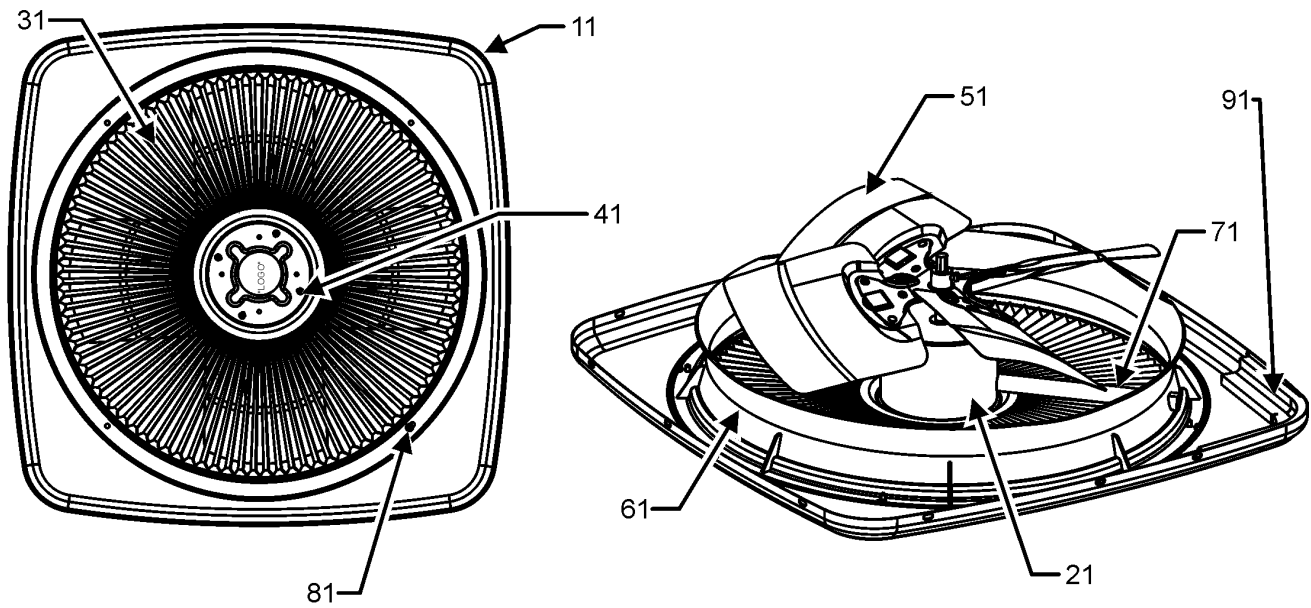
Ref. Part No:	Part No:	Description:	Ref. Part No:	Part No:	Description:
<b>Image 1:</b>					
21	0151R00071	REVERSING VALVE (M5, M6, M7)			
21	0151R00288	REVERSING VALVE (M1, M2, M3, M4)			
31	YP31K1TPFVASE	COMPRESSOR (M4)			
31	YP34K1TPFVASC	COMPRESSOR (M5)			
31	YP40K1TPFVASC	COMPRESSOR (M6)			
31	YP51K1TPFVASC	COMPRESSOR (M7)			
31	55Y622UV-ZALQ	COMPRESSOR R-32 (M3)			
31	50Y4929V-ZALM	COMPRESSOR R-32 (M1, M2)			
41	0151M00104	VALVE CORE			
51	0130M00410	REVERSING VALVE HARNESS			
61	0151L00009	ACCUMULATOR (M6, M7)			
61	B1226207	ACCUMULATOR (M3, M4, M5)			
61	0151R00004P	ACCUMULATOR 3/4 (M1, M2)			
71	0162R00007	MUFFLER 1/2 X 1/2			
81	0162R00056	FILTER/DRIER-BI-FLOW			
91	0151R00285	BASE VALVE 3/4", R32 (M1, M2, M3)			
91	0151R00286	BASE VALVE 7/8", R32 (M4, M5, M6, M7)			
101	0151R00287	BASE VALVE 3/8", R32			
111	0159R00021	HARNESS, COMP SCROLL (M4)			
111	0159R00002P	HARNESS, COMP SCROLL 130 46" (M5, M6, M7)			
121	0130M00088	LOW PRESSURE SWITCH			
131	0130M20002	HIGH PRESSURE SWITCH			
201	0151R00256	VALVE, ADJUSTABLE (M1, M2, M3)			
201	0151R00257	VALVE, ADJUSTABLE (M4)			
201	0151R00258	VALVE, ADJUSTABLE (M5)			
201	0151R00259	VALVE, ADJUSTABLE (M6)			
201	0151R00260	VALVE, ADJUSTABLE (M7)			
221	0130M00106	DISC THERMOSTAT(CRANKCS HTR SW)			
241	0121R00006PDG	BASE PAN, 29" PNT (M1, M2, M3)			
241	0121R01090PDG	PAINTED BASE PAN 35.5" (M4, M5, M6, M7)			
261	0163R00006	HEATER, CRANKCASE 230V, 40W (M1, M2, M3, M4)			
261	0163R00007	HEATER, CRANKCASE 230V, 40W (M5, M6, M7)			
271	B1339533	COMPRESSOR GROMMET (M4, M5, M6, M7)			
271	60140209	GROMMET - RECHI COMPRESSOR (M1, M2, M3)			
281	0163M00186	SCREW-SHOULDER TF (M1, M2, M3)			
281	M0221641	SCREW-SHOULDER TF (M4, M5, M6, M7)			
361	60101127	TERMINAL COVER GASKET (M1, M2, M3)			
371	60209905	TERMINAL METAL COVER (M1, M2, M3)			
381	60100403	TERMINAL NUT - RECHI COMP (M1, M2, M3)			
NS	0163M00629	RED CAP WITH O-RING			
NS	B1225022	SOLENOID COIL			

## Expanded Model Nomenclature

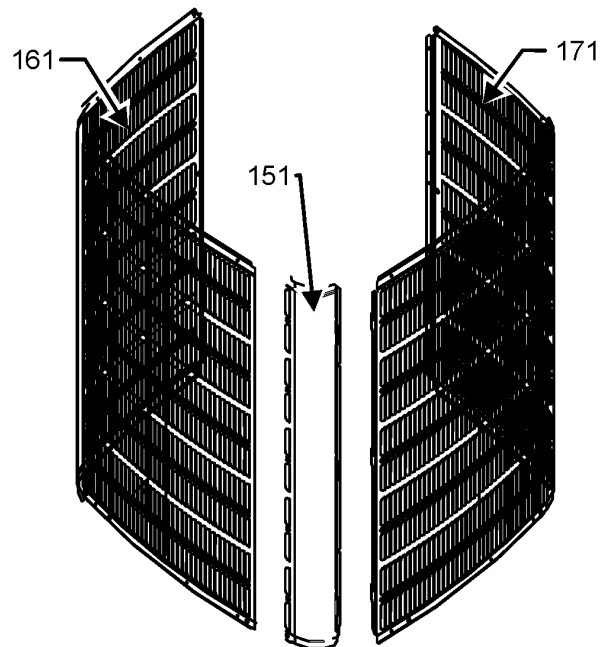
M1 - GLZS4BA1810AA
M2 - GLZS4BA2410AA
M3 - GLZS4BA3010AA
M4 - GLZS4BA3610AA
M5 - GLZS4BA4210AA
M6 - GLZS4BA4810AA
M7 - GLZS4BA6010AA

# Top Panel and Louver Panel Assembly

## TOP PANEL AND LOUVER PANEL ASSEMBLY



LOUVER PANEL ASSEMBLY  
STYLE 1



LOUVER PANEL ASSEMBLY  
STYLE 2

TOP PANEL AND LOUVER PANEL ASSEMBLY MAY DIFFER FROM WHAT IS SHOWN



# Top Panel and Louver Panel Assembly

Ref. Part No:	Part No:	Description:	Ref. Part No:	Part No:	Description:
---------------	----------	--------------	---------------	----------	--------------

**Image 1:**

11	0121R00935PDG	PANEL, TOP 29. PNT (M1, M2, M3)
11	0121R00936PDG	TOP PANEL, 35. PNT (M4, M5, M6, M7)
21	0131M00807	MOTOR, 1/4HP,1SP,8PL,AL (M5, M6, M7)
21	0131M00753	MOTOR, 1/6HP, 1SP, 8PL, AL (M1, M2, M3)
21	0131M00945	MOTOR, 1/6HP, 8PL (M4)
31	0152R00025	29" GRILLE CFS (M1, M2, M3)
31	0152R00026	GRILL, WIRE 35. TOP (M4, M5, M6, M7)
41	0163M00006P	ACORN NUT 5/16 HEX BLACK (QTY 4)
51	0150M00008	FAN BLADE, 22" TNT2203-25 (M1, M2, M3)
51	0150M00066	FAN BLADE, 26" (M4, M5, M6, M7)
61	0161R00104	29" VENTURI CFS (M1, M2, M3)
61	0161R00105	35" VENTURI CFS (M4, M5, M6, M7)
71	0161R00005P	CONDUIT (M4, M5, M6, M7)
71	0161R00123	CONDUIT (M1, M2, M3)
81	0163M00004	SCREW #10 X3/4", BLK (QTY 4)
91	0154R00045	GASKET, CONTROL PANEL
111	0121R00228PDG	PANEL 1, LOUVER 35, 5MM, PNT (M4, M5)
111	0121R00592PDG	PANEL 1, LOUVER 35_34.64 PNT (M6)
111	0121R00593PDG	PANEL 1, LOUVER 35_39.84 PNT (M7)
121	0121R00231PDG	PANEL 2, LOUVER 35, 5MM, PNT (M4, M5)
121	0121R00594PDG	PANEL 2, LOUVER 35_34.64 PNT (M6)
121	0121R00595PDG	PANEL 2, LOUVER 35_39.84 PNT (M7)
131	0121R00234PDG	PANEL 3, LOUVER 35, 5MM, PNT (M4, M5)
131	0121R00596PDG	PANEL 3, LOUVER 35_34.64 PNT (M6)
131	0121R00597PDG	PANEL 3, LOUVER 35_39.84 PNT (M7)
141	0201R00780	COIL TUBING ASSY (M6)
141	0201R00848	COIL TUBING ASSY (M1, M2)
141	0201R00850	COIL TUBING ASSY (M3)
141	0201R00851	COIL TUBING ASSY (M4)
141	0201R00852	COIL TUBING ASSY (M5)
151	0121R00350PDG	Louver Post, PDG 28.73 (M1, M2)
151	0121R00354PDG	Louver Post, PDG 36.30 (M3)
161	0121R00342PDGLS	Louver Panel, PDG 29" _28.73 (M1, M2)
161	0121R00346PDGLS	Louver Panel, PDG 29" _36.30 (M3)
171	0121R00342PDGRS	Louver Panel, PDG 29" _28.73 (M1, M2)
171	0121R00346PDGRS	Louver Panel, PDG 29" _36.30 (M3)
181	0201R00859	COIL TUBING ASSY (M7)
181	0130M00250	CONTROL, DEFROST (M6, M7)
181	0130M00884	CONTROL, DEFROST (M1, M2, M3, M4, M5)
NS	0163M00005P	WASHER, BLACK (.50 OD .218ID) (QTY 4)

**Expanded Model Nomenclature**

- |                    |
|--------------------|
| M1 - GLZS4BA1810AA |
| M2 - GLZS4BA2410AA |
| M3 - GLZS4BA3010AA |
| M4 - GLZS4BA3610AA |
| M5 - GLZS4BA4210AA |
| M6 - GLZS4BA4810AA |
| M7 - GLZS4BA6010AA |