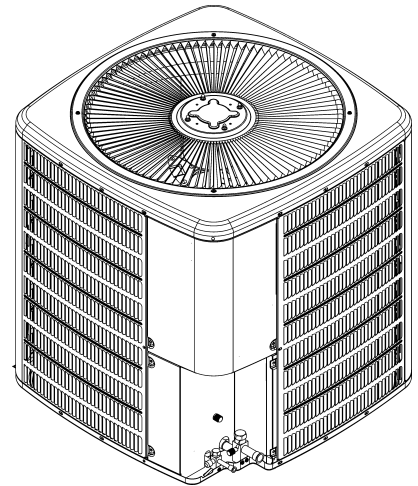




REPAIR PARTS

GLZS4MA Remote Heat Pump

GLZS4MA1810AA
GLZS4MA2410AA
GLZS4MA3010AA
GLZS4MA3610AA



This manual is to be used by qualified technicians only.

© 2024 Goodman Manufacturing Company, L.P. ♦ 19001 Kermier Rd. ♦ Waller, TX 77484

Important Information

Index

Functional Parts List	3
Illustration and Parts	4 - 9

Views shown are for parts illustrations only, not servicing procedures.

Text Codes:

AR - As Required

NA - Not Available

NS - Not Shown

00000000 - See Note

QTY - Quantity Example (QTY 3) (If Quantity not shown, Quantity = 1)

M - Model Example (M1) (If M Code not shown, then part is used on all Models)

Expanded Model Nomenclature:

Example M1 - Model#1 M2 - Model#2 M3 - Model#3

Goodman Manufacturing Company, L.P. is not responsible for personal injury or property damage resulting from improper service. Review all service information before beginning repairs.

Warranty service must be performed by an authorized technician, using authorized factory parts. If service is required after the warranty expires, Goodman Manufacturing Company, L.P. also recommends contacting an authorized technician and using authorized factory parts.

Goodman Manufacturing Company, L.P. reserves the right to discontinue, or change at any time, specifications or designs without notice or without incurring obligations.

For assistance within the U.S.A. contact:
Homeowner Support
Goodman Manufacturing Company, L.P.
19001 Kermier Road
Waller, Texas 77484
877-254-4729-Telephone
713-863-2382-Facsimile

For assistance outside the U.S.A. contact:
International Division
Goodman Manufacturing Company, L.P.
19001 Kermier Road
Waller, Texas 77484
713-861-2500-Telephone
713-863-2382-Facsimile

Functional Parts

Part

No: Description:

0151R00287	BASE VALVE 3/8", R32
CAB050300440CS	CAP, 5/30 MFD/440V RD - BPRF (M2)
CAB050350440CS	CAP, 5/35 MFD/440V RD - BPRF (M1)
CAB050400440CT	CAP, 5/40 MFD/440V RD - BPRF (M3, M4)
YP14K1TPFVASE	COMPRESSOR (M1)
YP25K1TPFVASE	COMPRESSOR (M3)
YP31K1TPFVASE	COMPRESSOR (M4)
YP20K1TPFVASE	COMPRESSOR (M2)
CONT1P030024D	CONT, 1 POLE, 30 AMP, 24VAC
0130M00884	CONTROL, DEFROST
PCBDM133	DEFROST CONTROL BOARD
0130M00106	DISC THERMOSTAT(CRKNCS HTR SW)
0150M00008	FAN BLADE 22" TNT2203-25 (M1, M2, M3)
0150M00008	FAN BLADE, 22" TNT2203-25 (M1, M2, M3)
0150M00066	FAN BLADE, 26" (M4)
0163R00006	HEATER, CRANKCASE 230V, 40W
0130M20002	HIGH PRESSURE SWITCH
0130M00088	LOW PRESSURE SWITCH
0131M00753	MOTOR, 1/6HP, 1SP, 8PL, AL (M1, M2, M3)
0131M00945	MOTOR, 1/6HP, 8PL (M4)
0151R00288	REVERSING VALVE
B1225022	SOLENOID COIL
0151R00255	VALVE, ADJUSTABLE (M1)
0151R00256	VALVE, ADJUSTABLE (M2, M3)
0151R00257	VALVE, ADJUSTABLE (M4)

SPECIAL PARTS

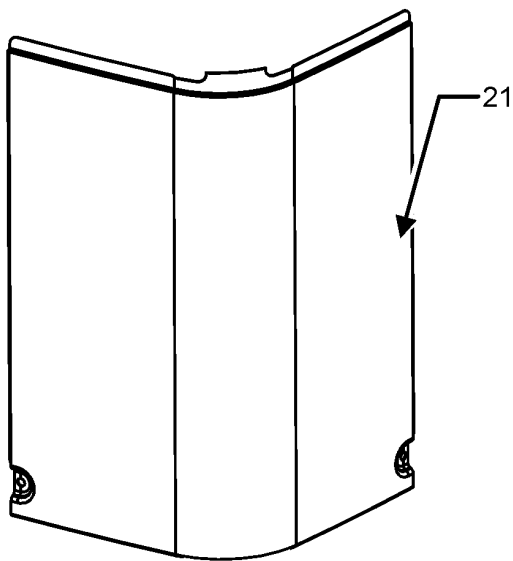
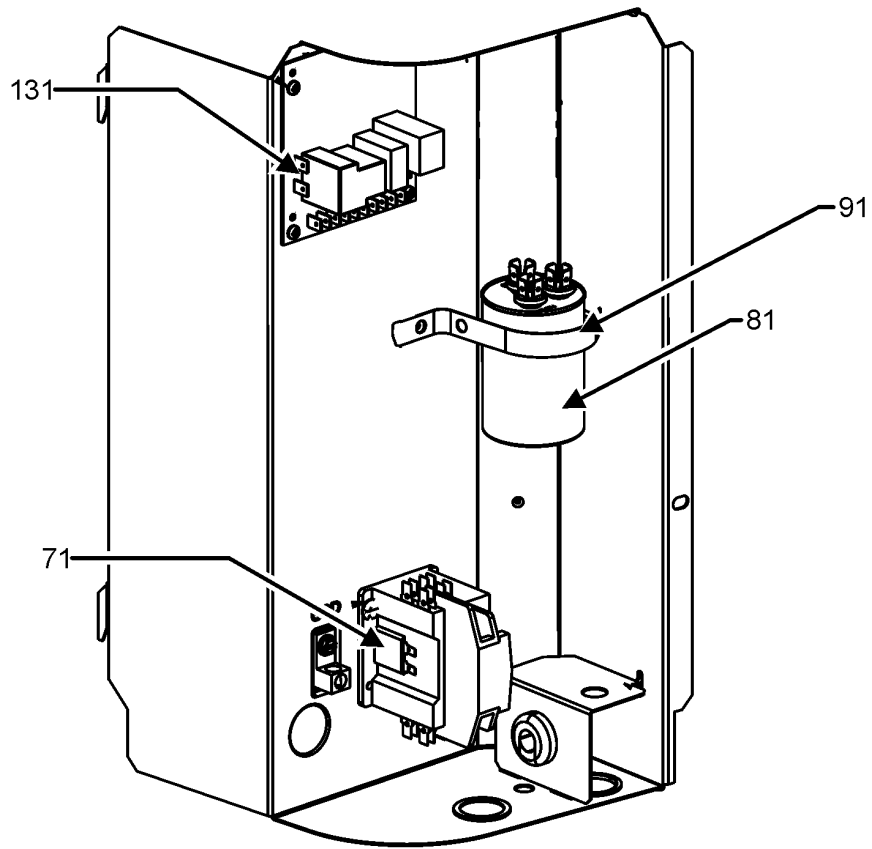
0161R00092 NAMEPLATE, GOODMAN

Expanded Model Nomenclature

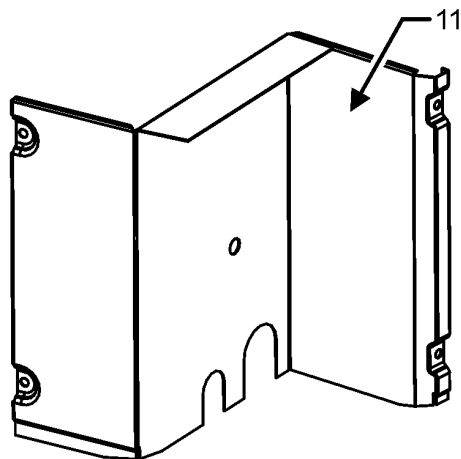
M1 - GLZS4MA1810AA
M2 - GLZS4MA2410AA
M3 - GLZS4MA3010AA
M4 - GLZS4MA3610AA

Control Box Assembly

CONTROL PANEL ASSEMBLY



CONTROL PANEL ACCESS



LOWER ACCESS PANEL

CONTROL PANEL ASSEMBLY MAY DIFFER FROM WHAT IS SHOWN

Control Box Assembly

Ref. Part No:	No:	Description:	Ref. Part No:	No:	Description:
---------------	-----	--------------	---------------	-----	--------------

Image 1:

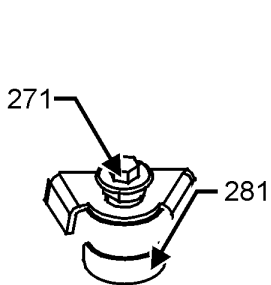
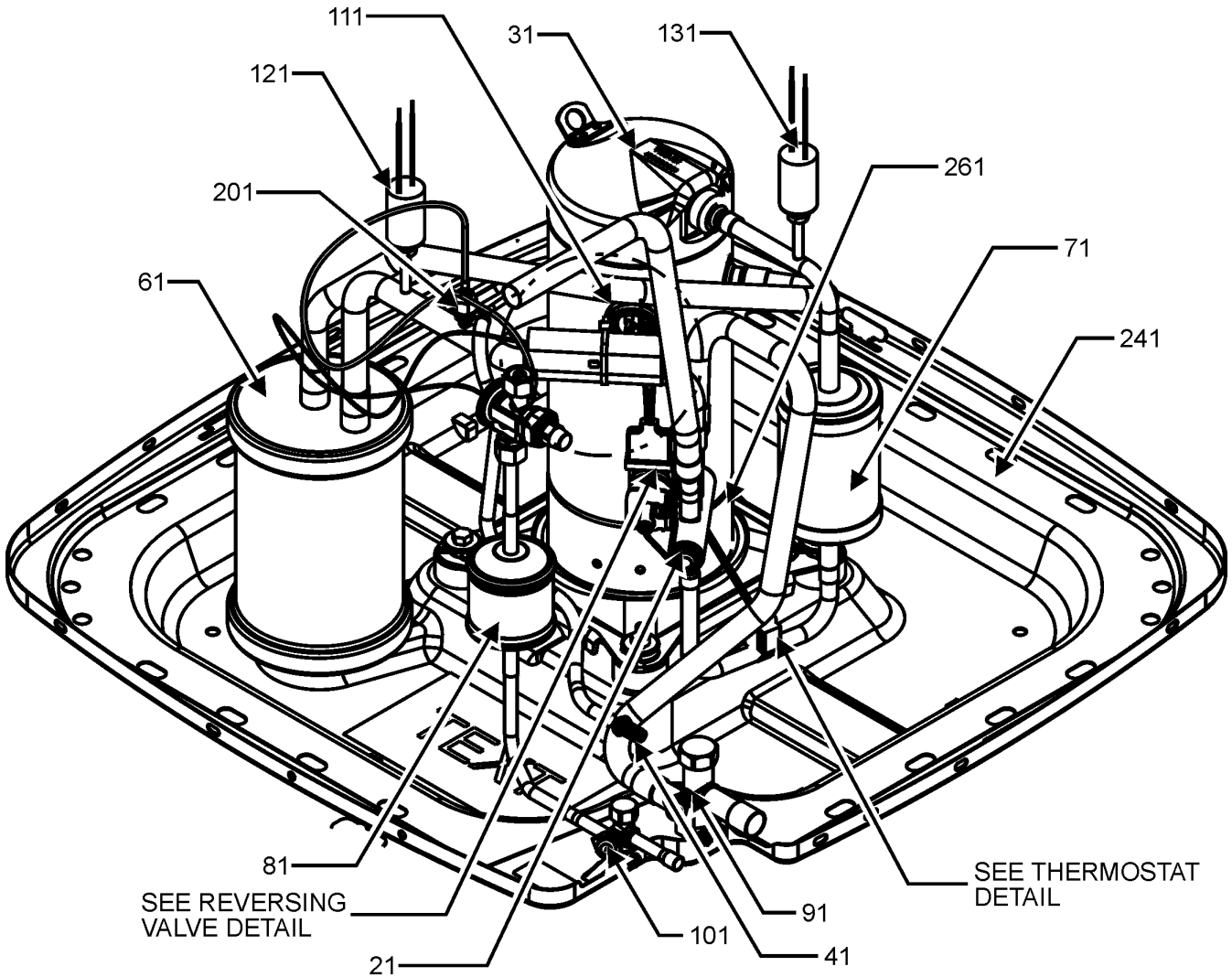
11	0121R00909PDG	PNL, LWR ACCESS (M3)
11	0121R00912PDG	PNL, LWR ACCESS (M4)
11	0121R00919PDG	PNL, LWR ACCESS (M1, M2)
21	0121R00937PDG	CONTROL COVER, PNT
71	CONT1P030024D	CONT, 1 POLE, 30 AMP, 24VAC
81	CAB050300440CS	CAP, 5/30 MFD/440V RD - BPRF (M2)
81	CAB050350440CS	CAP, 5/35 MFD/440V RD - BPRF (M1)
81	CAB050400440CT	CAP, 5/40 MFD/440V RD - BPRF (M3, M4)
91	4400065	CAPACITOR STRAP
131	PCBDM133	DEFROST CONTROL BOARD
NS	0161R00092	NAMEPLATE, GOODMAN

Expanded Model Nomenclature

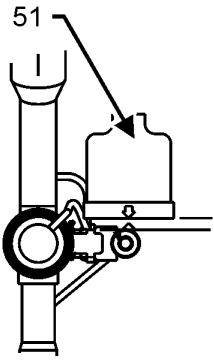
M1 - GLZS4MA1810AA
M2 - GLZS4MA2410AA
M3 - GLZS4MA3010AA
M4 - GLZS4MA3610AA

Coil Tubing and Compressor Assembly

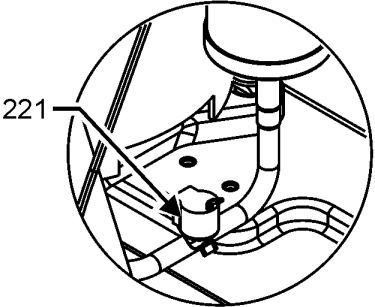
COIL TUBING AND COMPRESSOR ASSEMBLY



COMPRESSOR MOUNTING
DETAIL



REVERSING VALVE DETAIL



THERMOSTAT DETAIL

COIL TUBING AND COMPRESSOR ASSEMBLY MAY DIFFER FROM WHAT IS SHOWN

Coil Tubing and Compressor Assembly

Ref. Part No:	Part No:	Description:	Ref. Part No:	Part No:	Description:
---------------	----------	--------------	---------------	----------	--------------

Image 1:

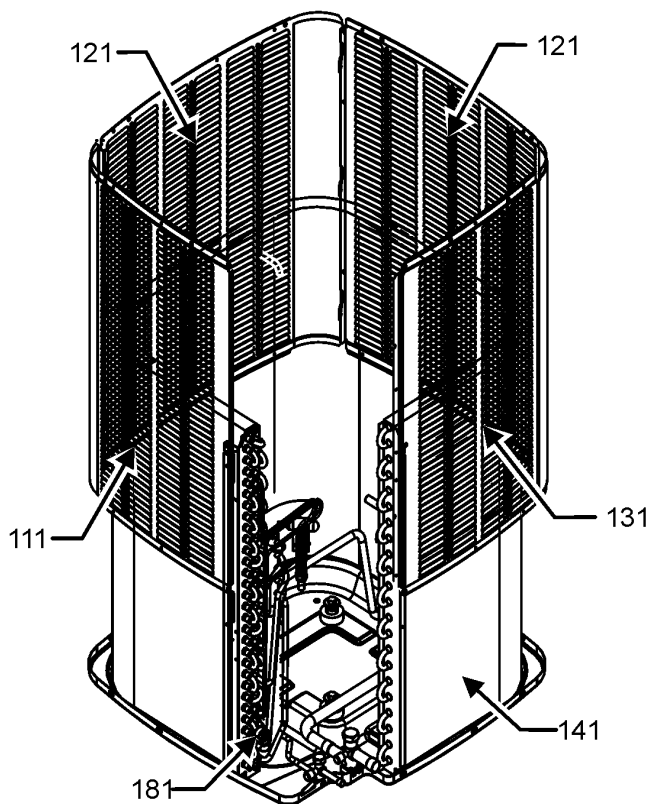
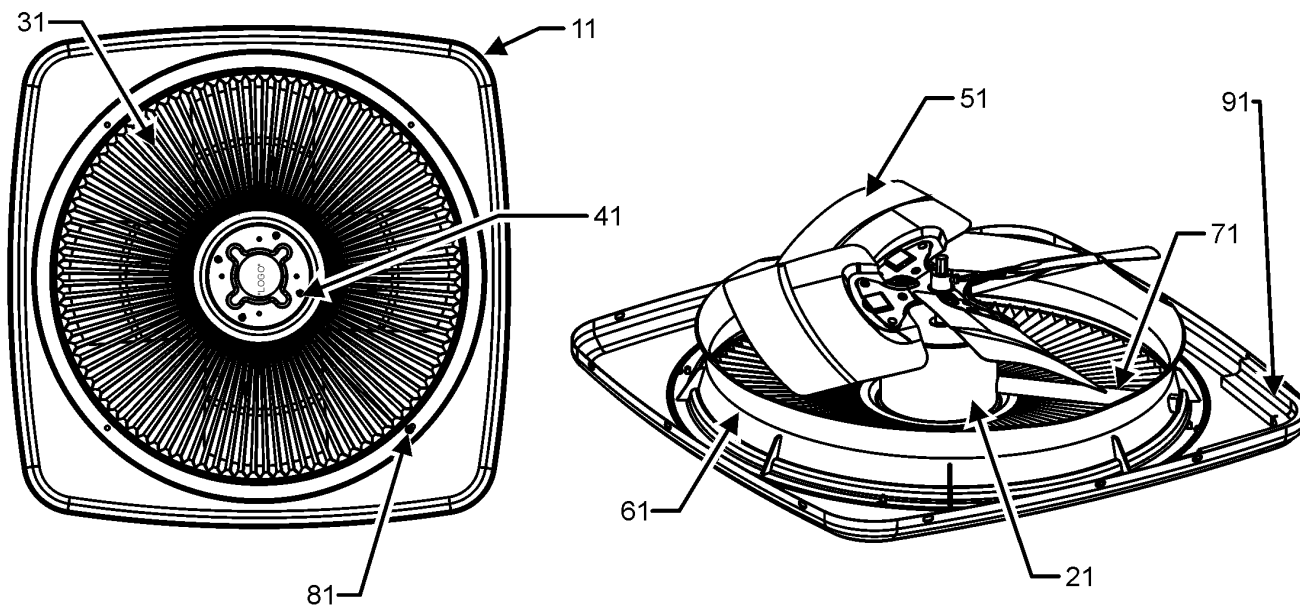
21	0151R00288	REVERSING VALVE			
31	YP14K1TPFVASE	COMPRESSOR (M1)			
31	YP20K1TPFVASE	COMPRESSOR (M2)			
31	YP25K1TPFVASE	COMPRESSOR (M3)			
31	YP31K1TPFVASE	COMPRESSOR (M4)			
41	0151M00104	VALVE CORE			
51	0130M00410	REVERSING VALVE HARNESS			
61	B1226207	ACCUMULATOR (M3, M4)			
61	0151R00004P	ACCUMULATOR .750 (M1, M2)			
71	0162R00007	MUFFLER 1/2 X 1/2			
81	0162R00056	FILTER/DRIER-BI-FLOW			
91	0151R00285	BASE VALVE 3/4", R32 (M1, M2, M3)			
91	0151R00286	BASE VALVE 7/8", R32 (M4)			
101	0151R00287	BASE VALVE 3/8", R32			
111	0159R00021	HARNESS, COMP SCROLL (M4)			
111	0159R00001P	HARNESS, COMP SCROLL 130 42" (M1, M2, M3)			
121	0130M00088	LOW PRESSURE SWITCH			
131	0130M20002	HIGH PRESSURE SWITCH			
201	0151R00255	VALVE, ADJUSTABLE (M1)			
201	0151R00256	VALVE, ADJUSTABLE (M2, M3)			
201	0151R00257	VALVE, ADJUSTABLE (M4)			
221	0130M00106	DISC THERMOSTAT(CRNKCS HTR SW)			
241	0121R00006PDG	BASE PAN, 29" PNT (M1, M2, M3)			
241	0121R01090PDG	PAINTED BASE PAN 35.5" (M4)			
261	0163R00006	HEATER, CRANKCASE 230V, 40W			
271	B1339533	COMPRESSOR GROMMET (QTY 4)			
281	M0221641	TF SHOULDER SCREW (QTY 4)			
NS	0163M00629	RED CAP WITH O-RING			
NS	B1225022	SOLENOID COIL			

Expanded Model Nomenclature

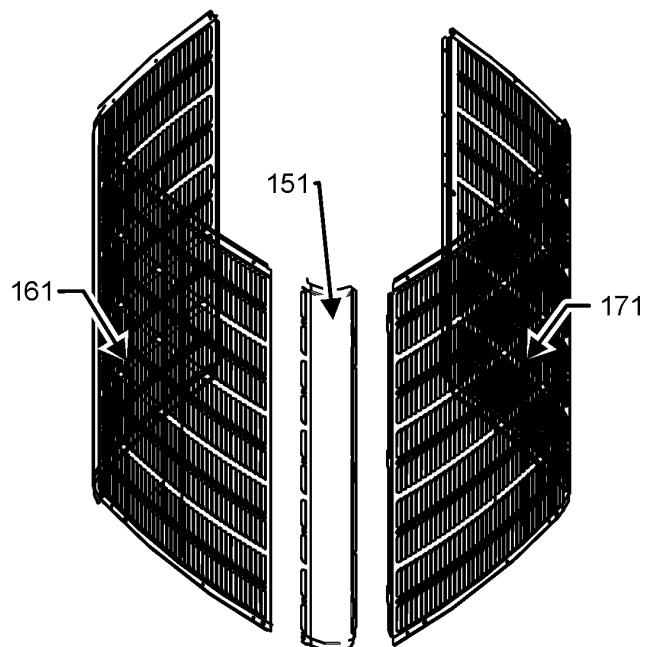
M1 - GLZS4MA1810AA
M2 - GLZS4MA2410AA
M3 - GLZS4MA3010AA
M4 - GLZS4MA3610AA

Top Panel and Louver Panel Assembly

TOP PANEL AND LOUVER PANEL ASSEMBLY



LOUVER PANEL ASSEMBLY
STYLE 1



LOUVER PANEL ASSEMBLY
STYLE 2

TOP PANEL AND LOUVER PANEL ASSEMBLY MAY DIFFER FROM WHAT IS SHOWN

Top Panel and Louver Panel Assembly

Ref. Part No:	Ref. Part No:	Description:	Description:
---------------	---------------	--------------	--------------

Image 1:

11	0121R00935PDG	PANEL, TOP 29. PNT (M1, M2, M3)
11	0121R00936PDG	TOP PANEL, 35. PNT (M4)
21	0131M00753	MOTOR, 1/6HP, 1SP, 8PL, AL (M1, M2, M3)
21	0131M00945	MOTOR, 1/6HP, 8PL (M4)
31	0152R00025	29" GRILLE CFS (M1, M2, M3)
31	0152R00026	GRILL, WIRE 35. TOP (M4)
41	0163M00006P	ACORN NUT 5/16 HEX BLACK (QTY 4)
51	0150M00008	FAN BLADE 22" TNT2203-25 (M1, M2, M3)
51	0150M00008	FAN BLADE, 22" TNT2203-25 (M1, M2, M3)
51	0150M00066	FAN BLADE, 26" (M4)
61	0161R00104	29" VENTURI CFS (M1, M2, M3)
61	0161R00105	35" VENTURI CFS (M4)
71	0161R00005P	CONDUIT (M4)
71	0161R00123	CONDUIT (M1, M2, M3)
81	0163M00004	SCREW #10 X3/4", BLK
91	0154R00045	GASKET, CONTROL PANEL
111	0121R00228PDG	PANEL 1, LOUVER 35, 5MM, PNT (M4)
121	0121R00231PDG	PANEL 2, LOUVER 35, 5MM, PNT (M4)
131	0121R00234PDG	PANEL 3, LOUVER 35, 5MM, PNT (M4)
141	0201R00848	COIL TUBING ASSY (M1, M2)
141	0201R00850	COIL TUBING ASSY (M3)
141	0201R00851	COIL TUBING ASSY (M4)
151	0121R00350PDG	Louver Post, PDG 28.73 (M1, M2)
151	0121R00354PDG	Louver Post, PDG 36.30 (M3)
161	0121R00342PDGLS	Louver Panel, PDG 29" _28.73 (M1, M2)
161	0121R00346PDGLS	Louver Panel, PDG 29" _36.30 (M3)
171	0121R00342PDGRS	Louver Panel, PDG 29" _28.73 (M1, M2)
171	0121R00346PDGRS	Louver Panel, PDG 29" _36.30 (M3)
181	0130M00884	CONTROL, DEFROST

Expanded Model Nomenclature

- | |
|--------------------|
| M1 - GLZS4MA1810AA |
| M2 - GLZS4MA2410AA |
| M3 - GLZS4MA3010AA |
| M4 - GLZS4MA3610AA |