



REPAIR PARTS

GXV[6,9]6S[A,S] GZV[6,7]SA AC/HP INVERTER

GXV6SA1810AA
GXV6SA2410AA
GXV6SA3010AA
GXV6SA3610AA
GXV6SS1810AA
GXV6SS2410AA
GXV6SS3010AA
GXV6SS3610AA
GXV6SS4210AA
GXV6SS4810AA
GXV6SS6010AA
GXV9SA2410AA
GXV9SA3610AA
GXV9SA4810AA
GZV6SA1810AA
GZV6SA2410AA
GZV6SA3010AA
GZV6SA3610AA
GZV6SA4210AA
GZV6SA4810AA
GZV6SA6010AA
GZV7SA2410AA
GZV7SA3610AA
GZV7SA4210AA
GZV7SA4810AA

This manual is to be used by qualified technicians only.

© 2024 Goodman Manufacturing Company, L.P. ♦ 19001 Kermier Rd. ♦ Waller, TX 77484

Important Information

Index

Functional Parts List	3
Illustration and Parts	4 - 35

Views shown are for parts illustrations only, not servicing procedures.

Text Codes:

AR - As Required

NA - Not Available

NS - Not Shown

00000000 - See Note

QTY - Quantity Example (QTY 3) (If Quantity not shown, Quantity = 1)

M - Model Example (M1) (If M Code not shown, then part is used on all Models)

Expanded Model Nomenclature:

Example M1 - Model#1 M2 - Model#2 M3 - Model#3

Goodman Manufacturing Company, L.P. is not responsible for personal injury or property damage resulting from improper service. Review all service information before beginning repairs.

Warranty service must be performed by an authorized technician, using authorized factory parts. If service is required after the warranty expires, Goodman Manufacturing Company, L.P. also recommends contacting an authorized technician and using authorized factory parts.

Goodman Manufacturing Company, L.P. reserves the right to discontinue, or change at any time, specifications or designs without notice or without incurring obligations.

For assistance within the U.S.A. contact:

Homeowner Support

Goodman Manufacturing Company, L.P.

19001 Kermier Road

Waller, Texas 77484

877-254-4729-Telephone

713-863-2382-Facsimile

For assistance outside the U.S.A. contact:

International Division

Goodman Manufacturing Company, L.P.

19001 Kermier Road

Waller, Texas 77484

713-861-2500-Telephone

713-863-2382-Facsimile

Functional Parts

Part No:

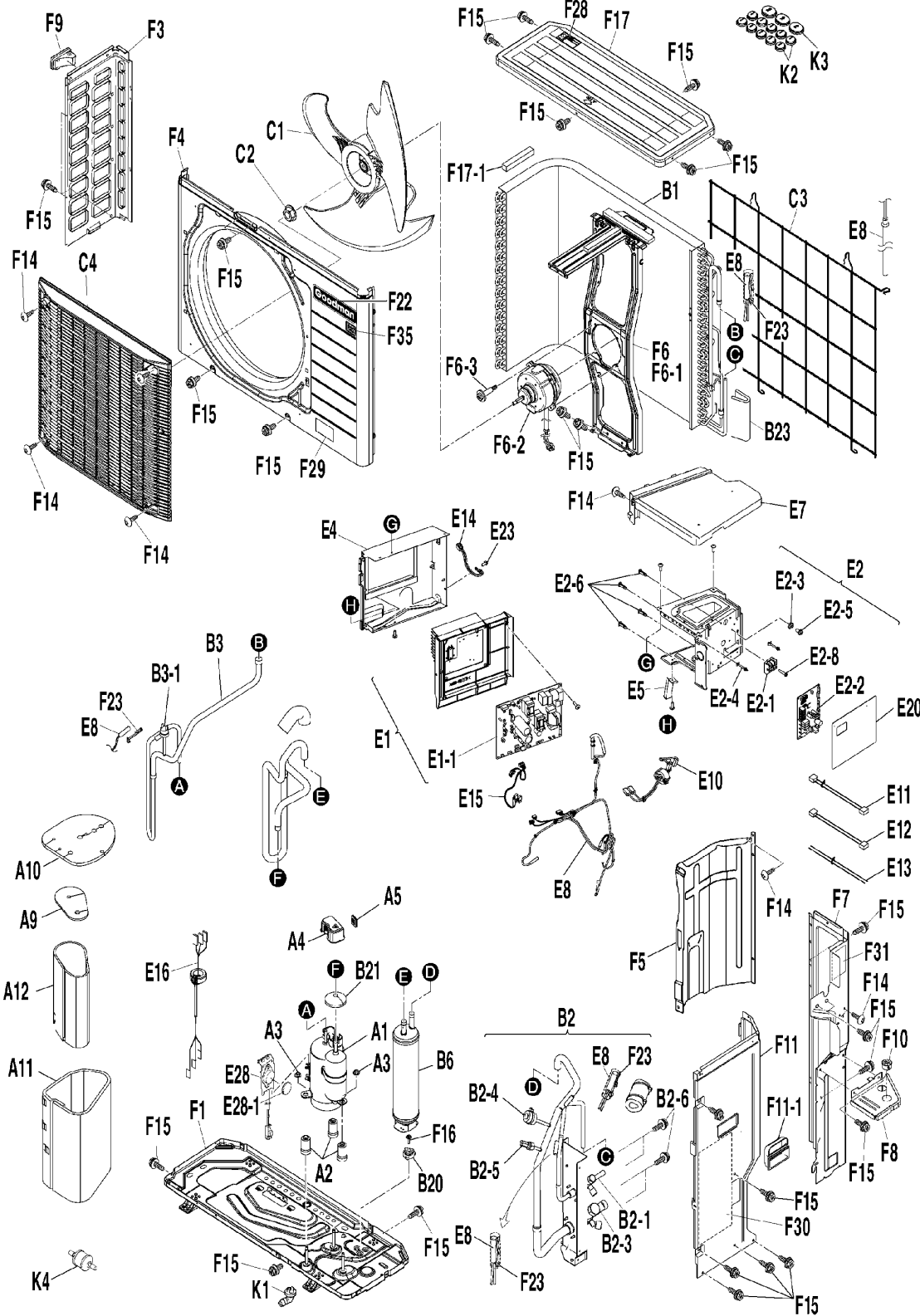
Description:

Expanded Model Nomenclature

151188J	CHECK VALVE (M12, M15, M16, M17, M18, M22)
107638J	CHECK VALVE (M12, M13, M14, M17, M18, M19, M20, M21, M22, M23, M24, M25)
038621J	CHECK VALVE (M13, M14, M15, M16, M19, M20, M21, M23, M24, M25)
2563391	COMPRESSOR ASSY. (M1, M2, M5, M6, M15, M16)
2563519	COMPRESSOR ASSY. (M9, M10, M13, M19, M20, M23)
2563426	COMPRESSOR ASSY. (M3, M4, M7, M8, M12, M17, M18, M22)
2563525	COMPRESSOR ASSY. (M11, M14, M21, M24, M25)
2561833	DC FAN MOTOR (M9, M10, M11, M13, M14, M19, M20, M21, M23, M24, M25)
2545649	DC FAN MOTOR (M3, M4, M7, M8, M12, M17, M18, M22)
2545639	DC FAN MOTOR (M1, M2, M5, M6, M15, M16)
1721122	FUSIBLE PLUG
2428510	OVERLOAD PROTECTOR (M1, M2, M3, M4, M5, M6, M7, M8, M12, M15, M16, M17, M18, M22)
4022182	PRESSURE SENSOR (M9, M10, M11, M13, M14, M19, M20, M21, M23, M24, M25)
2545134	PRESSURE SENSOR (M1, M2, M3, M4, M5, M6, M7, M8, M12, M15, M16, M17, M18, M22)
2563527	PRINTED CIRCUIT BOARD ASSY. (M11)
2563533	PRINTED CIRCUIT BOARD ASSY. (M13, M19, M20, M23)
2563549	PRINTED CIRCUIT BOARD ASSY. (M14, M21, M24, M25)
2545135	PRINTED CIRCUIT BOARD ASSY. (M1, M2, M5, M6, M15, M16)
2559717	PRINTED CIRCUIT BOARD ASSY. (M3, M4, M7, M8, M12, M17, M18, M22)
2563522	PRINTED CIRCUIT BOARD ASSY. (M9, M10)
2563427	PRINTED CIRCUIT BOARD ASSY. (CT) (M3, M4, M7, M8, M12, M17, M18, M22)
2563393	PRINTED CIRCUIT BOARD ASSY. (CT) (M1, M2, M5, M6, M15, M16)
4022880	STOP VALVE (M9, M10, M11, M13, M14, M19, M20, M21, M23, M24, M25)
2425775	THERMISTOR (AIR) (M9, M10, M11, M13, M14, M19, M20, M21, M23, M24, M25)
2425799	THERMISTOR (SUCTION) (M9, M10, M11, M13, M14, M19, M20, M21, M23, M24, M25)

M1 - GXV6SA1810AA
M2 - GXV6SA2410AA
M3 - GXV6SA3010AA
M4 - GXV6SA3610AA
M5 - GXV6SS1810AA
M6 - GXV6SS2410AA
M7 - GXV6SS3010AA
M8 - GXV6SS3610AA
M9 - GXV6SS4210AA
M10 - GXV6SS4810AA
M11 - GXV6SS6010AA
M12 - GXV9SA2410AA
M13 - GXV9SA3610AA
M14 - GXV9SA4810AA
M15 - GZV6SA1810AA
M16 - GZV6SA2410AA
M17 - GZV6SA3010AA
M18 - GZV6SA3610AA
M19 - GZV6SA4210AA
M20 - GZV6SA4810AA
M21 - GZV6SA6010AA
M22 - GZV7SA2410AA
M23 - GZV7SA3610AA
M24 - GZV7SA4210AA
M25 - GZV7SA4810AA

GXV6SA1810AA/AB GXV6SA2410AA/AB GXV6SS1810AA/AB GXV6SS2410AA/AB



Picture Key

Ref #	Picture #
1	A1
2	A10
3	A11
4	A12
5	A2
6	A3
7	A4
8	A5
9	A9
10	B1
11	B2
12	B20
13	B21
14	B2-1
15	B23
16	B2-3
17	B2-4
18	B2-5
19	B2-6
20	B3
21	B3-1
22	B6
23	C1
24	C2
25	C3
26	C4
27	E1
28	E10
29	E11
30	E1-1
31	E12
32	E13
33	E14
34	E15
35	E16
36	E2
37	E20
38	E2-1
39	E2-2
40	E23
41	E2-3
42	E2-4
43	E2-5
44	E2-6
45	E28
46	E2-8
47	E28-1
48	E4
49	E5
50	E7
51	E8
52	F1
53	F10
54	F11
55	F11-1
56	F14
57	F15
58	F16
59	F17
60	F17-1
61	F22
62	F23
63	F28
64	F29
65	F3
66	F30
67	F31
68	F35
69	F4
70	F5
71	F6
72	F6-1
73	F6-2
74	F6-3
75	F7
76	F8
77	F9
78	K1
79	K2
80	K3
81	K4

Ref. Part No: No:	Description:	Ref. Part No: No:	Description:
Image 1:		Image 1:	
1	2563391 COMPRESSOR ASSY. (M1, M2, M5, M6)	42	1233757 LOCKING CARD SPACER (M1, M2, M5, M6)
2	2545644 SOUND INSULATION (OUTER TOP) (M1, M2, M5, M6)	43	119839J TAPPING SCREW (M1, M2, M5, M6)
3	2534459 SOUND INSULATION (OUTER BODY) (M1, M2, M5, M6)	44	1728464 SPACER (PCB) (M1, M2, M5, M6)
4	2493747 SOUND INSULATION (INNER BODY) (M1, M2, M5, M6)	45	2428510 OVERLOAD PROTECTOR (M1, M2, M5, M6)
5	128989J VIBRATION ABSORBER (M1, M2, M5, M6)	46	1796234 PAN HEAD TAPPING SCREW (M1, M2, M5, M6)
6	4010410 WASHER (NUT WITH WASHER) (M1, M2, M5, M6)	47	2428527 RADIATION SHEET (M1, M2, M5, M6)
7	2425597 TERMINAL COVER (M1, M2, M5, M6)	48	NA EL. COMPO. BOX ASSY. (1) (M1, M2, M5, M6)
8	040139J RUBBER BUSH/ LEAD WIRE (M1, M2, M5, M6)	49	2561811 STAY (M1, M2, M5, M6)
9	2493893 SOUND INSULATION (INNER TOP) (M1, M2, M5, M6)	50	2561812 EL. COMPO. BOX COVER ASSY. (M1, M2, M5, M6)
10	2561808 HEAT EXCHANGER ASSY. (M1, M2, M5, M6)	51	2545139 THERMISTOR ASSY. (M1, M2, M5, M6)
11	NA STOP VALVE ASSY. (GAS_LIQUID) (M1, M2, M5, M6)	52	2561813 BOTTOM FRAME ASSY. (M1, M2, M5, M6)
12	380116J CUSHION RUBBER/ ACCUMULATOR (M1, M2, M5, M6)	53	2494098 WIRING PROTECTION BUSH (M1, M2, M5, M6)
13	112853J VIBRATION ISOLATOR PUTTY (M1, M2, M5, M6)	54	2561821 RIGHT SIDE PLATE ASSY. (M1, M2, M5, M6)
14	2564154 LIQUID STOP VALVE ASSY. (M1, M2, M5, M6)	55	2548908 HANDLE ASSY. (M1, M2, M5, M6)
15	1666085 SOUNDPROOF PUTTY (M1, M2, M5, M6)	56	008203J TRUSS HEAD TAPPING SCREW (M1, M2, M5, M6)
16	2564155 GAS STOP VALVE ASSY. (M1, M2, M5, M6)	57	109224J HEX HEAD TAPPING SCREW (M1, M2, M5, M6)
17	2545134 PRESSURE SENSOR (M1, M2, M5, M6)	58	1821022 TAPPING SCREW (M1, M2, M5, M6)
18	1721122 FUSIBLE PLUG (M1, M2, M5, M6)	59	2561822 TOP PLATE ASSY. (M1, M2, M5, M6)
19	109224J HEX HEAD TAPPING SCREW (M1, M2, M5, M6)	60	4015634 CUSHION MATERIAL (HEAT EXCHANGER) (M1, M2, M5, M6)
20	NA DISCHARGE PIPE ASSY. (M1, M2, M5, M6)	61	2563554 BRAND NAME LABEL (M1, M2, M5, M6)
21	2534448 HIGH PRESSURE SWITCH (M1, M2, M5, M6)	62	042396J FITTING SPRING/ THERMISTOR (M1, M2, M5, M6)
22	2563392 ACCUMULATOR ASSY. (M1, M2, M5, M6)	63	2564156 LABEL (M1, M2, M5, M6)
23	2561809 PROPELLER FAN ASSY. (M1, M2, M5, M6)	64	4023075 CAUTION LABEL (ROTATING) (M1, M2, M5, M6)
24	847003J LOCK NUT/ FAN (M1, M2, M5, M6)	65	2561814 LEFT SIDE PLATE ASSY. (M1, M2, M5, M6)
25	2425643 PROTECTION NET (M1, M2, M5, M6)	66	NA COLLECTIVE INDICATIONS LABEL (M1, M2, M5, M6)
26	4022196 DISCHARGE GRILLE ASSY. (M1, M2, M5, M6)	67	NA CAUTION LABEL (ELECTRIC SHOCK) (M1, M2, M5, M6)
27	2564160 EL. COMPO. MOUNTING PLATE ASSY. (M1, M2, M5, M6)	68	2563394 LABEL NAME PLATE (R32) (M1, M2, M5, M6)
28	2545140 WIRE HARNESS ASSY. (POWER) (M1, M2, M5, M6)	69	2561815 FRONT PLATE (M1, M2, M5, M6)
29	2545141 WIRE HARNESS ASSY. (CT POWER) (M1, M2, M5, M6)	70	2561816 PARTITION PLATE (M1, M2, M5, M6)
30	2545135 PRINTED CIRCUIT BOARD ASSY. (M1, M2, M5, M6)	71	2561817 FAN MOTOR STAND ASSY. (WITH FAN MOTOR) (M1, M2, M5, M6)
31	2545635 WIRE HARNESS ASSY. (ACS) (M1, M2, M5, M6)	72	2561818 FAN MOTOR STAND ASSY. (M1, M2, M5, M6)
32	2545636 WIRE HARNESS ASSY. (COMMUNICATION) (M1, M2, M5, M6)	73	2545639 DC FAN MOTOR (M1, M2, M5, M6)
33	2545637 EARTH WIRE (M1, M2, M5, M6)	74	2120405 HEX TAPPING SCREW (3) (M1, M2, M5, M6)
34	2545638 WIRE HARNESS ASSY. (HPS/OL) (M1, M2, M5, M6)	75	2561819 REAR PLATE ASSY. (M1, M2, M5, M6)
35	2545142 WIRE HARNESS ASSY. (COMP.) (M1, M2, M5, M6)	76	2561820 CONDUIT MOUNTING PLATE ASSY. (M1, M2, M5, M6)
36	NA EL. COMPO. BOX ASSY. (TERMINAL BLOCK) (M1, M2, M5, M6)	77	4015625 HANDLE (LEFT) (M1, M2, M5, M6)
37	2545657 INSULATION SHEET (M1, M2, M5, M6)	78	058956J DRAIN JOINT (M1, M2, M5, M6)
38	4022185 TERMINAL BLOCK (M1, M2, M5, M6)	79	2253709 CAP 1 (DRAIN) (M1, M2, M5, M6)
39	2563393 PRINTED CIRCUIT BOARD ASSY. (CT) (M1, M2, M5, M6)	80	2253716 CAP 2 (DRAIN) (M1, M2, M5, M6)
40	113783J TAPPING SCREW (M1, M2, M5, M6)	81	2545851 FILTER DRIER (M1, M2, M5, M6)
41	071124J CUP WASHER (M1, M2, M5, M6)		

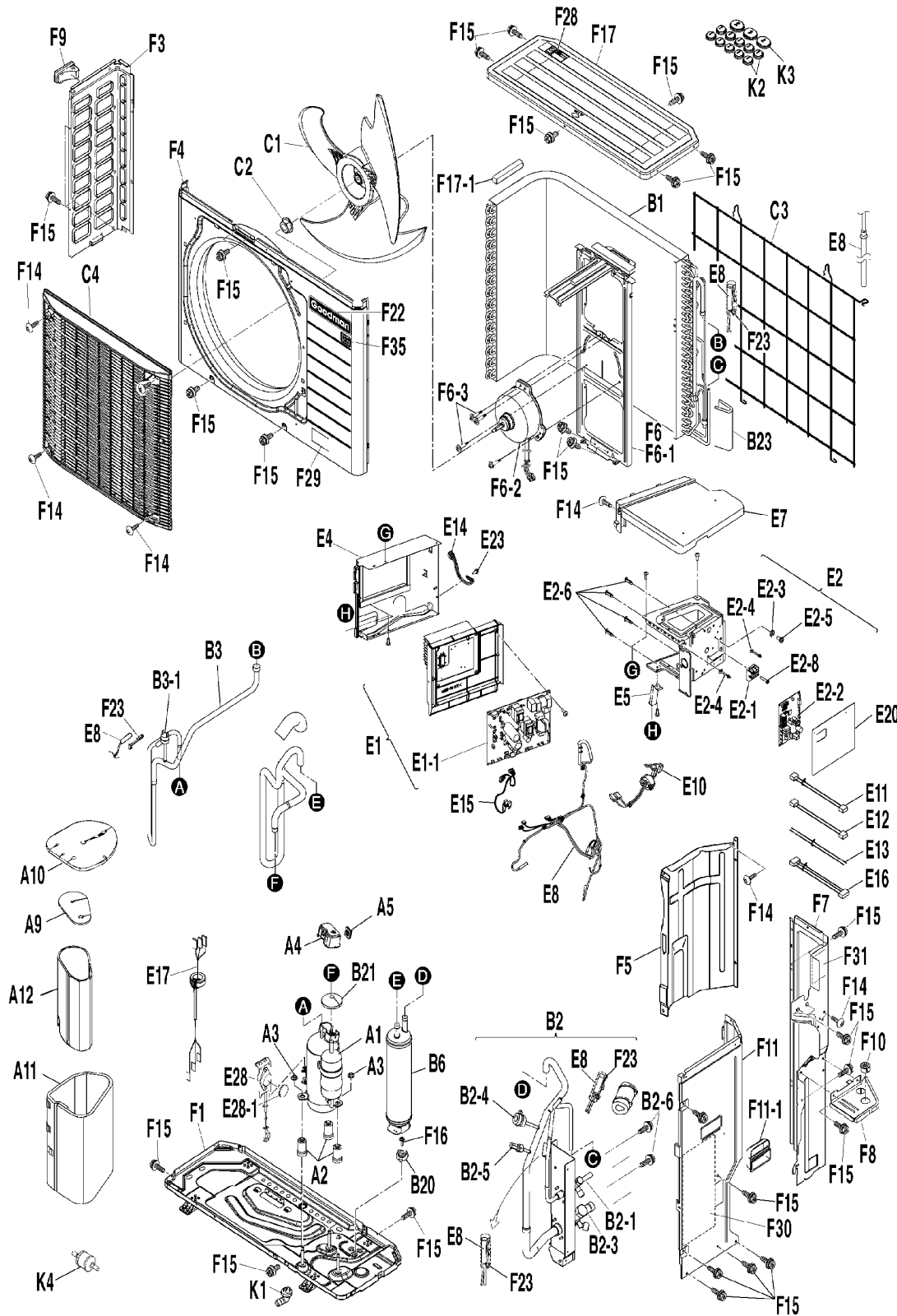
Ref. Part
No: No: Description:

Ref. Part
No: No: Description:

Expanded Model Nomenclature

M1 - GXV6SA1810AA
M2 - GXV6SA2410AA
M3 - GXV6SA3010AA
M4 - GXV6SA3610AA
M5 - GXV6SS1810AA
M6 - GXV6SS2410AA
M7 - GXV6SS3010AA
M8 - GXV6SS3610AA
M9 - GXV6SS4210AA
M10 - GXV6SS4810AA
M11 - GXV6SS6010AA
M12 - GXV9SA2410AA
M13 - GXV9SA3610AA
M14 - GXV9SA4810AA
M15 - GZV6SA1810AA
M16 - GZV6SA2410AA
M17 - GZV6SA3010AA
M18 - GZV6SA3610AA
M19 - GZV6SA4210AA
M20 - GZV6SA4810AA
M21 - GZV6SA6010AA
M22 - GZV7SA2410AA
M23 - GZV7SA3610AA
M24 - GZV7SA4210AA
M25 - GZV7SA4810AA

GXV6SA3010AA/AB GXV6SS3010AA/AB



Picture Key

Ref #	Picture #
1	A1
2	A10
3	A11
4	A12
5	A2
6	A3
7	A4
8	A5
9	A9
10	B1
11	B2
12	B20
13	B21
14	B2-1
15	B23
16	B2-3
17	B2-4
18	B2-5
19	B2-6
20	B3
21	B3-1
22	B6
23	C1
24	C2
25	C3
26	C4
27	E1
28	E10
29	E11
30	E1-1
31	E12
32	E13
33	E14
34	E15
35	E16
36	E17
37	E2
38	E20
39	E2-1
40	E2-2
41	E23
42	E2-3
43	E2-4
44	E2-5
45	E2-6
46	E28
47	E2-8
48	E28-1
49	E4
50	E5
51	E7
52	E8
53	F1
54	F10
55	F11
56	F11-1
57	F14
58	F15
59	F16
60	F17
61	F17-1
62	F22
63	F23
64	F28
65	F29
66	F3
67	F30
68	F31
69	F35
70	F4
71	F5
72	F6
73	F6-1
74	F6-2
75	F6-3
76	F7
77	F8
78	F9
79	K1
80	K2
81	K3
82	K4

Ref. Part No: No:	Description:	Ref. Part No: No:	Description:
Image 1:		Image 1:	
1	2563426 COMPRESSOR ASSY. (M3, M7)	54	2494098 WIRING PROTECTION BUSH (M3, M7)
2	2545644 SOUND INSULATION (OUTER TOP) (M3, M7)	55	2561821 RIGHT SIDE PLATE ASSY. (M3, M7)
3	2534459 SOUND INSULATION (OUTER BODY) (M3, M7)	56	2548908 HANDLE ASSY. (M3, M7)
4	2493747 SOUND INSULATION (INNER BODY) (M3, M7)	57	008203J TRUSS HEAD TAPPING SCREW (M3, M7)
5	128989J VIBRATION ABSORBER (M3, M7)	58	109224J HEX HEAD TAPPING SCREW (M3, M7)
6	4010410 WASHER (NUT WITH WASHER) (M3, M7)	59	1821022 TAPPING SCREW (M3, M7)
7	2425597 TERMINAL COVER (M3, M7)	60	2561822 TOP PLATE ASSY. (M3, M7)
8	040139J RUBBER BUSH/ LEAD WIRE (M3, M7)	61	4015634 CUSHION MATERIAL (HEAT EXCHANGER) (M3, M7)
9	2493893 SOUND INSULATION (INNER TOP) (M3, M7)	62	2563554 BRAND NAME LABEL (M3, M7)
10	2561808 HEAT EXCHANGER ASSY. (M3, M7)	63	042396J FITTING SPRING/ THERMISTOR (M3, M7)
11	NA STOP VALVE ASSY. (GAS LIQUID) (M3, M7)	64	2564156 LABEL (M3, M7)
12	380116J CUSHION RUBBER/ ACCUMULATOR (M3, M7)	65	4023075 CAUTION LABEL (ROTATING) (M3, M7)
13	112853J VIBRATION ISOLATOR PUTTY (M3, M7)	66	2561814 LEFT SIDE PLATE ASSY. (M3, M7)
14	2564154 LIQUID STOP VALVE ASSY. (M3, M7)	67	NA COLLECTIVE INDICATIONS LABEL (M3, M7)
15	1666085 SOUNDPROOF PUTTY (M3, M7)	68	NA CAUTION LABEL (ELECTRIC SHOCK) (M3, M7)
16	2564157 GAS STOP VALVE ASSY. (M3, M7)	69	2563394 LABEL NAME PLATE (R32) (M3, M7)
17	2545134 PRESSURE SENSOR (M3, M7)	70	2561815 FRONT PLATE (M3, M7)
18	1721122 FUSIBLE PLUG (M3, M7)	71	2561816 PARTITION PLATE (M3, M7)
19	109224J HEX HEAD TAPPING SCREW (M3, M7)	72	2561824 FAN MOTOR STAND ASSY. (WITH FAN MOTOR) (M3, M7)
20	NA DISCHARGE PIPE ASSY. (M3, M7)	73	2561825 FAN MOTOR STAND ASSY. (M3, M7)
21	2534448 HIGH PRESSURE SWITCH (M3, M7)	74	2545649 DC FAN MOTOR (M3, M7)
22	2563392 ACCUMULATOR ASSY. (M3, M7)	75	2120405 HEX TAPPING SCREW (3) (M3, M7)
23	2561809 PROPELLER FAN ASSY. (M3, M7)	76	2561819 REAR PLATE ASSY. (M3, M7)
24	847003J LOCK NUT/ FAN (M3, M7)	77	2561820 CONDUIT MOUNTING PLATE ASSY. (M3, M7)
25	2425643 PROTECTION NET (M3, M7)	78	4015625 HANDLE (LEFT) (M3, M7)
26	4022196 DISCHARGE GRILLE ASSY. (M3, M7)	79	058956J DRAIN JOINT (M3, M7)
27	2564161 EL. COMPO. MOUNTING PLATE ASSY. (M3, M7)	80	2253709 CAP 1 (DRAIN) (M3, M7)
28	2545140 WIRE HARNESS ASSY. (POWER) (M3, M7)	81	2253716 CAP 2 (DRAIN) (M3, M7)
29	2545141 WIRE HARNESS ASSY. (CT POWER) (M3, M7)	82	2545851 FILTER DRIER (M3, M7)
30	2559717 PRINTED CIRCUIT BOARD ASSY. (M3, M7)		
31	2545635 WIRE HARNESS ASSY. (ACS) (M3, M7)		
32	2545636 WIRE HARNESS ASSY. (COMMUNICATION) (M3, M7)		
33	2545637 EARTH WIRE (M3, M7)		
34	2545638 WIRE HARNESS ASSY. (HPS/OL) (M3, M7)		
35	2545648 WIRE HARNESS ASSY. (FAN MOTOR RELAY) (M3, M7)		
36	2545142 WIRE HARNESS ASSY. (COMP.) (M3, M7)		
37	NA EL. COMPO. BOX ASSY. (TERMINAL BLOCK) (M3, M7)		
38	2545657 INSULATION SHEET (M3, M7)		
39	4022185 TERMINAL BLOCK (M3, M7)		
40	2563427 PRINTED CIRCUIT BOARD ASSY. (CT) (M3, M7)		
41	113783J TAPPING SCREW (M3, M7)		
42	071124J CUP WASHER (M3, M7)		
43	1233757 LOCKING CARD SPACER (M3, M7)		
44	119839J TAPPING SCREW (M3, M7)		
45	1728464 SPACER (PCB) (M3, M7)		
46	2428510 OVERLOAD PROTECTOR (M3, M7)		
47	1796234 PAN HEAD TAPPING SCREW (M3, M7)		
48	2428527 RADIATION SHEET (M3, M7)		
49	NA EL. COMPO. BOX ASSY. (1) (M3, M7)		
50	2561811 STAY (M3, M7)		
51	2561812 EL. COMPO. BOX COVER ASSY. (M3, M7)		
52	2545139 THERMISTOR ASSY. (M3, M7)		
53	2561813 BOTTOM FRAME ASSY. (M3, M7)		

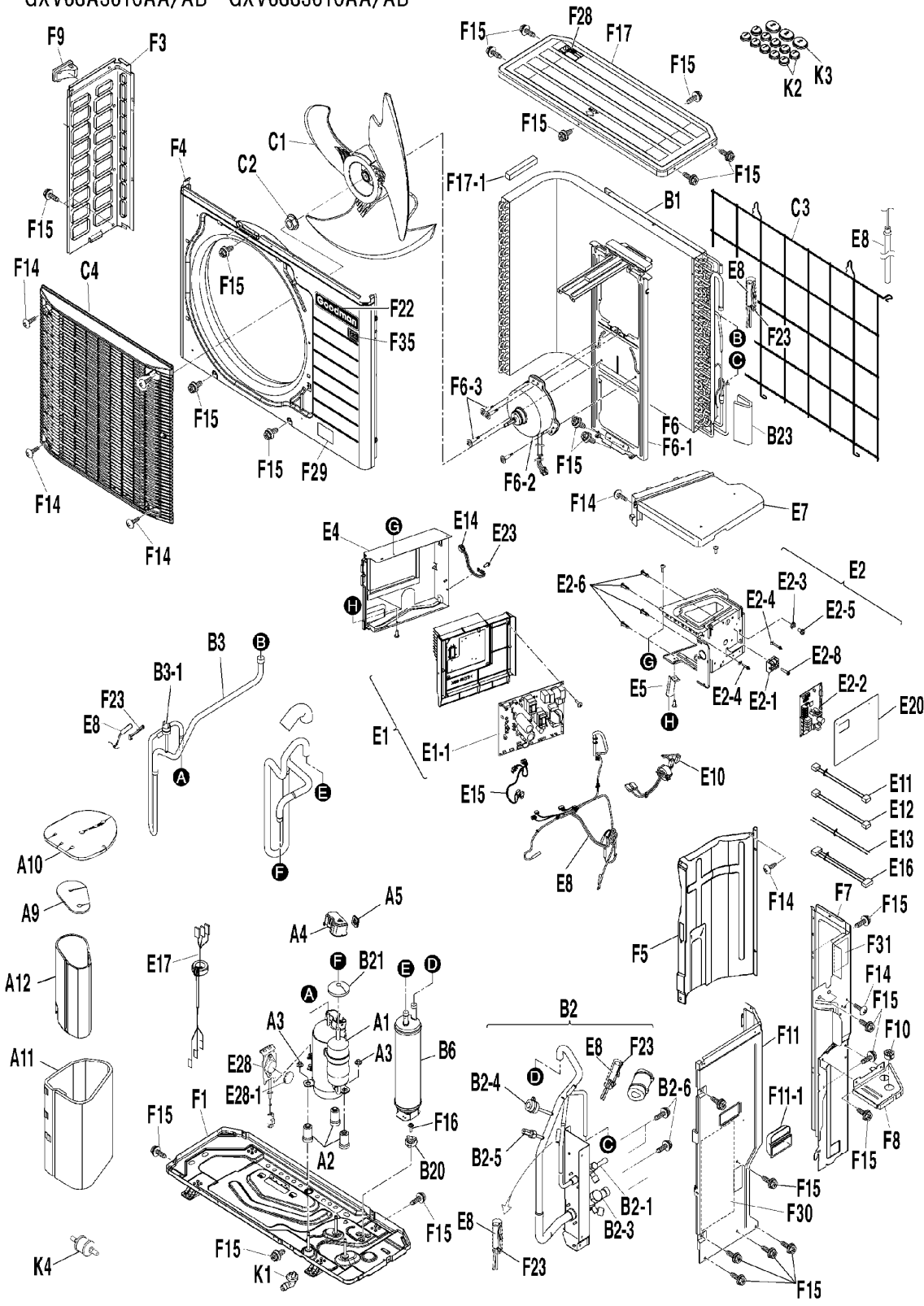
Ref. Part
No: No: Description:

Ref. Part
No: No: Description:

Expanded Model Nomenclature

M1 - GXV6SA1810AA
M2 - GXV6SA2410AA
M3 - GXV6SA3010AA
M4 - GXV6SA3610AA
M5 - GXV6SS1810AA
M6 - GXV6SS2410AA
M7 - GXV6SS3010AA
M8 - GXV6SS3610AA
M9 - GXV6SS4210AA
M10 - GXV6SS4810AA
M11 - GXV6SS6010AA
M12 - GXV9SA2410AA
M13 - GXV9SA3610AA
M14 - GXV9SA4810AA
M15 - GZV6SA1810AA
M16 - GZV6SA2410AA
M17 - GZV6SA3010AA
M18 - GZV6SA3610AA
M19 - GZV6SA4210AA
M20 - GZV6SA4810AA
M21 - GZV6SA6010AA
M22 - GZV7SA2410AA
M23 - GZV7SA3610AA
M24 - GZV7SA4210AA
M25 - GZV7SA4810AA

GXV6SA3610AA/AB GXV6SS3610AA/AB



Picture Key	
Ref #	Picture #
1	A1
2	A10
3	A11
4	A12
5	A2
6	A3
7	A4
8	A5
9	A9
10	B1
11	B2
12	B20
13	B21
14	B2-1
15	B2-3
16	B2-4
17	B2-5
18	B2-6
19	B3
20	B3-1
21	B6
22	C1
23	C2
24	C3
25	C4
26	C4
27	E1
28	E10
29	E11
30	E1-1
31	E12
32	E13
33	E14
34	E15
35	E16
36	E17
37	E2
38	E20
39	E2-1
40	E2-2
41	E2-3
42	E2-4
43	E2-5
44	E2-6
45	E2-8
46	E28
47	E2-8
48	E28-1
49	E4
50	E5
51	E7
52	E8
53	F1
54	F10
55	F11
56	F11-1
57	F14
58	F15
59	F16
60	F17
61	F17-1
62	F22
63	F23
64	F28
65	F29
66	F3
67	F30
68	F31
69	F35
70	F4
71	F5
72	F6
73	F6-1
74	F6-2
75	F6-3
76	F7
77	F8
78	F9
79	K1
80	K2
81	K3
82	K4

Ref. Part No: No:	Description:	Ref. Part No: No:	Description:
Image 1:		Image 1:	
1	2563426 COMPRESSOR ASSY. (M4, M8)	54	2494098 WIRING PROTECTION BUSH (M4, M8)
2	2545644 SOUND INSULATION (OUTER TOP) (M4, M8)	55	2561821 RIGHT SIDE PLATE ASSY. (M4, M8)
3	2534459 SOUND INSULATION (OUTER BODY) (M4, M8)	56	2548908 HANDLE ASSY. (M4, M8)
4	2493747 SOUND INSULATION (INNER BODY) (M4, M8)	57	008203J TRUSS HEAD TAPPING SCREW (M4, M8)
5	128989J VIBRATION ABSORBER (M4, M8)	58	109224J HEX HEAD TAPPING SCREW (M4, M8)
6	4010410 WASHER (NUT WITH WASHER) (M4, M8)	59	1821022 TAPPING SCREW (M4, M8)
7	2425597 TERMINAL COVER (M4, M8)	60	2561822 TOP PLATE ASSY. (M4, M8)
8	040139J RUBBER BUSH/ LEAD WIRE (M4, M8)	61	4015634 CUSHION MATERIAL (HEAT EXCHANGER) (M4, M8)
9	2493893 SOUND INSULATION (INNER TOP) (M4, M8)	62	2563554 BRAND NAME LABEL (M4, M8)
10	2561826 HEAT EXCHANGER ASSY. (M4, M8)	63	042396J FITTING SPRING/ THERMISTOR (M4, M8)
11	NA STOP VALVE ASSY. (GAS LIQUID) (M4, M8)	64	2564156 LABEL (M4, M8)
12	380116J CUSHION RUBBER/ ACCUMULATOR (M4, M8)	65	4023075 CAUTION LABEL (ROTATING) (M4, M8)
13	112853J VIBRATION ISOLATOR PUTTY (M4, M8)	66	2561814 LEFT SIDE PLATE ASSY. (M4, M8)
14	2564154 LIQUID STOP VALVE ASSY. (M4, M8)	67	NA COLLECTIVE INDICATIONS LABEL (M4, M8)
15	1666085 SOUNDPROOF PUTTY (M4, M8)	68	NA CAUTION LABEL (ELECTRIC SHOCK) (M4, M8)
16	2564157 GAS STOP VALVE ASSY. (M4, M8)	69	2563394 LABEL NAME PLATE (R32) (M4, M8)
17	2545134 PRESSURE SENSOR (M4, M8)	70	2561815 FRONT PLATE (M4, M8)
18	1721122 FUSIBLE PLUG (M4, M8)	71	2561816 PARTITION PLATE (M4, M8)
19	109224J HEX HEAD TAPPING SCREW (M4, M8)	72	2561827 FAN MOTOR STAND ASSY. (WITH FAN MOTOR) (M4, M8)
20	NA DISCHARGE PIPE ASSY. (M4, M8)	73	2561828 FAN MOTOR STAND ASSY. (M4, M8)
21	2534448 HIGH PRESSURE SWITCH (M4, M8)	74	2545649 DC FAN MOTOR (M4, M8)
22	2563392 ACCUMULATOR ASSY. (M4, M8)	75	2120405 HEX TAPPING SCREW (3) (M4, M8)
23	2561809 PROPELLER FAN ASSY. (M4, M8)	76	2561819 REAR PLATE ASSY. (M4, M8)
24	847003J LOCK NUT/ FAN (M4, M8)	77	2561820 CONDUIT MOUNTING PLATE ASSY. (M4, M8)
25	2425643 PROTECTION NET (M4, M8)	78	4015625 HANDLE (LEFT) (M4, M8)
26	4022196 DISCHARGE GRILLE ASSY. (M4, M8)	79	058956J DRAIN JOINT (M4, M8)
27	2564161 EL. COMPO. MOUNTING PLATE ASSY. (M4, M8)	80	2253709 CAP 1 (DRAIN) (M4, M8)
28	2545140 WIRE HARNESS ASSY. (POWER) (M4, M8)	81	2253716 CAP 2 (DRAIN) (M4, M8)
29	2545141 WIRE HARNESS ASSY. (CT POWER) (M4, M8)	82	2545851 FILTER DRIER (M4, M8)
30	2559717 PRINTED CIRCUIT BOARD ASSY. (M4, M8)		
31	2545635 WIRE HARNESS ASSY. (ACS) (M4, M8)		
32	2545636 WIRE HARNESS ASSY. (COMMUNICATION) (M4, M8)		
33	2545637 EARTH WIRE (M4, M8)		
34	2545638 WIRE HARNESS ASSY. (HPS/OL) (M4, M8)		
35	2545648 WIRE HARNESS ASSY. (FAN MOTOR RELAY) (M4, M8)		
36	2545142 WIRE HARNESS ASSY. (COMP.) (M4, M8)		
37	NA EL. COMPO. BOX ASSY. (TERMINAL BLOCK) (M4, M8)		
38	2545657 INSULATION SHEET (M4, M8)		
39	4022185 TERMINAL BLOCK (M4, M8)		
40	2563427 PRINTED CIRCUIT BOARD ASSY. (CT) (M4, M8)		
41	113783J TAPPING SCREW (M4, M8)		
42	071124J CUP WASHER (M4, M8)		
43	1233757 LOCKING CARD SPACER (M4, M8)		
44	119839J TAPPING SCREW (M4, M8)		
45	1728464 SPACER (PCB) (M4, M8)		
46	2428510 OVERLOAD PROTECTOR (M4, M8)		
47	1796234 PAN HEAD TAPPING SCREW (M4, M8)		
48	2428527 RADIATION SHEET (M4, M8)		
49	NA EL. COMPO. BOX ASSY. (1) (M4, M8)		
50	2561811 STAY (M4, M8)		
51	2561812 EL. COMPO. BOX COVER ASSY. (M4, M8)		
52	2545139 THERMISTOR ASSY. (M4, M8)		
53	2561813 BOTTOM FRAME ASSY. (M4, M8)		

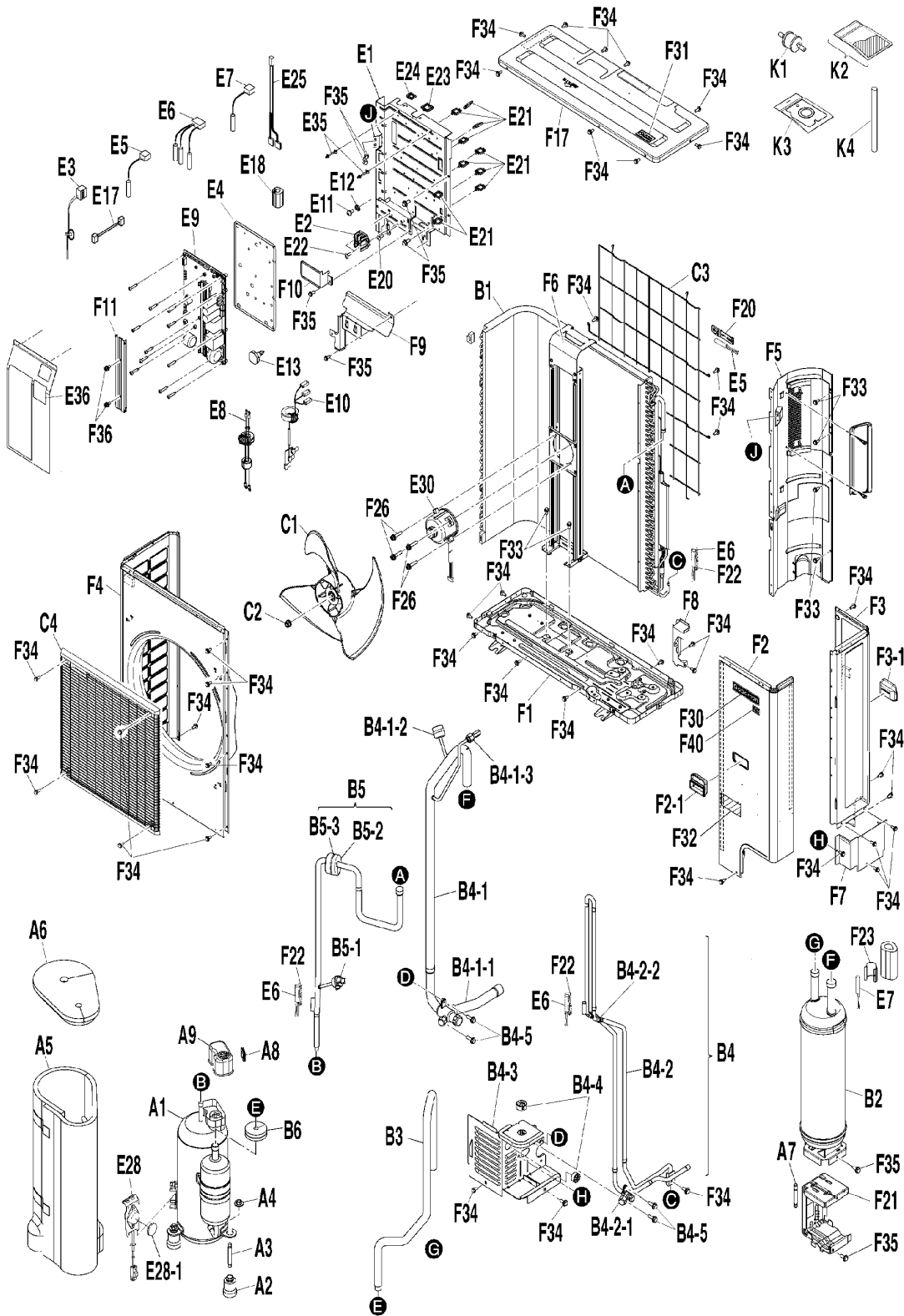
Ref. Part
No: No: Description:

Ref. Part
No: No: Description:

Expanded Model Nomenclature

M1 - GXV6SA1810AA
M2 - GXV6SA2410AA
M3 - GXV6SA3010AA
M4 - GXV6SA3610AA
M5 - GXV6SS1810AA
M6 - GXV6SS2410AA
M7 - GXV6SS3010AA
M8 - GXV6SS3610AA
M9 - GXV6SS4210AA
M10 - GXV6SS4810AA
M11 - GXV6SS6010AA
M12 - GXV9SA2410AA
M13 - GXV9SA3610AA
M14 - GXV9SA4810AA
M15 - GZV6SA1810AA
M16 - GZV6SA2410AA
M17 - GZV6SA3010AA
M18 - GZV6SA3610AA
M19 - GZV6SA4210AA
M20 - GZV6SA4810AA
M21 - GZV6SA6010AA
M22 - GZV7SA2410AA
M23 - GZV7SA3610AA
M24 - GZV7SA4210AA
M25 - GZV7SA4810AA

GXV6SS4210AA/AB GXV6SS4810AA/AB



Picture Key	
Ref #	Picture #
1	A1
2	A2
3	A3
4	A4
5	A5
6	A6
7	A7
8	A8
9	A9
10	B1
11	B2
12	B3
13	B4
14	B4-1
15	B4-1-1
16	B4-1-2
17	B4-1-3
18	B4-2
19	B4-2-1
20	B4-2-2
21	B4-3
22	B4-4
23	B4-5
24	B5
25	B5-1
26	B5-2
27	B5-3
28	B6
29	C1
30	C2
31	C3
32	C4
33	E1
34	E10
35	E11
36	E12
37	E13
38	E17
39	E18
40	E2
41	E20
42	E21
43	E22
44	E23
45	E24
46	E25
47	E28
48	E28-1
49	E3
50	E30
51	E35
52	E36
53	E4
54	E5
55	E6
56	E7
57	E8
58	E9
59	F1
60	F10
61	F11
62	F17
63	F2
64	F20
65	F21
66	F2-1
67	F22
68	F23
69	F26
70	F3
71	F30
72	F31
73	F3-1
74	F32
75	F33
76	F34
77	F35
78	F36
79	F4
80	F40
81	F5
82	F6
83	F7
84	F8
85	F9
86	K1
87	K2
88	K3
89	K4

Ref. Part No: No:	Description:	Ref. Part No: No:	Description:
Image 1:		Image 1:	
1	2563519 COMPRESSOR ASSY. (M9, M10)	54	2425775 THERMISTOR (AIR) (M9, M10)
2	2561829 RUBBER VIBRATION ISOLATOR (M9, M10)	55	2425782 THERMISTOR ASSY. (M9, M10)
3	2119809 COMPRESSOR MOUNTING BOLT (M9, M10)	56	2425799 THERMISTOR (SUCTION) (M9, M10)
4	4010410 WASHER (NUT WITH WASHER) (M9, M10)	57	2493949 WIRE HARNESS ASSY. (POWER) (M9, M10)
5	2493918 COMPRESSOR SOUNDPROOF (M9, M10)	58	2563522 PRINTED CIRCUIT BOARD ASSY. (M9, M10)
6	4024830 SOUND ABSORBING MATERIAL (M9, M10)	59	2564212 BOTTOM FRAME ASSY. (M9, M10)
7	076850J SET BOLT/ COMPRESSOR (M9, M10)	60	2561843 SHIELD PLATE (TERMINAL BLOCK) (M9, M10)
8	040139J RUBBER BUSH/ LEAD WIRE (M9, M10)	61	2561844 COVER (M9, M10)
9	2425597 TERMINAL COVER (M9, M10)	62	2561845 TOP PLATE ASSY. (M9, M10)
10	2563520 HEAT EXCHANGER ASSY. (M9, M10)	63	2561835 FRONT PLATE ASSY. (M9, M10)
11	2563521 ACCUMULATOR ASSY. (M9, M10)	64	157132J THERMISTOR FIXING PLATE (M9, M10)
12	NA SUCTION PIPE (2) (M9, M10)	65	2561846 MOUNTING PLATE (M9, M10)
13	NA REFRIGERANT PIPE ASSY. (GAS/LIQUID) (M9, M10)	66	092045J HANDLE (M9, M10)
14	NA GAS STOP VALVE ASSY. (M9, M10)	67	042396J FITTING SPRING/ THERMISTOR (M9, M10)
15	4022880 STOP VALVE (M9, M10)	68	2031411 FEELER BULB CLAMP (M9, M10)
16	4022182 PRESSURE SENSOR (M9, M10)	69	2120405 HEX TAPPING SCREW (3) (M9, M10)
17	1721122 FUSIBLE PLUG (M9, M10)	70	2561836 RIGHT SIDE PLATE (M9, M10)
18	NA LIQUID PIPE ASSY. (M9, M10)	71	2563554 BRAND NAME LABEL (M9, M10)
19	2494649 LIQUID STOP VALVE ASSY. (M9, M10)	72	2564156 LABEL (M9, M10)
20	2433132 PIPING FIXTURE (M9, M10)	73	092045J HANDLE (M9, M10)
21	2561831 STOP VALVE MOUNTING PLATE (M9, M10)	74	4023075 CAUTION LABEL (ROTATING) (M9, M10)
22	2494098 WIRING PROTECTION BUSH (M9, M10)	75	1905191 HEX HEAD TAPPING (M9, M10)
23	162753J SCREW/ C TIGHT CUP (M9, M10)	76	049594J HEX HEAD TAPPING SCREW (M9, M10)
24	NA DISCHARGE PIPE ASSY. (M9, M10)	77	131453J TRUSS HEAD TAPPING SCREW (M9, M10)
25	2534448 HIGH PRESSURE SWITCH (M9, M10)	78	4016867 HEX BOLT (M9, M10)
26	980752J PIPING WEIGHT (M9, M10)	79	2561837 FRONT PLATE ASSY. (M9, M10)
27	980761J WEIGHT CLIP (M9, M10)	80	2563394 LABEL NAME PLATE (R32) (M9, M10)
28	112853J VIBRATION ISOLATOR PUTTY (M9, M10)	81	2561838 PARTITION PLATE ASSY. (M9, M10)
29	2561832 PROPELLER FAN (M9, M10)	82	2561839 FAN MOTOR STAND ASSY. (M9, M10)
30	847003J LOCK NUT/ FAN (M9, M10)	83	2561840 COVER (SIDE) (M9, M10)
31	2425744 SUCTION GRILLE ASSY. (M9, M10)	84	2561841 REAR COVER (M9, M10)
32	2545655 DISCHARGE GRILLE ASSY. (M9, M10)	85	2561842 MOUNTING PLATE (FIELD WIRING) (M9, M10)
33	2546825 EL. COMPO. MOUNTING PLATE (M9, M10)	86	2545851 FILTER DRIER (M9, M10)
34	2545654 WIRE HARNESS ASSY. (COMP.) (M9, M10)	87	2494067 GREASE ASSY. (M9, M10)
35	119839J TAPPING SCREW (M9, M10)	88	2561847 PATCH PLATE ASSY. (M9, M10)
36	071124J CUP WASHER (M9, M10)	89	2223506 ELECTRIC INSULATION (M9, M10)
37	2494687 RIVET (M9, M10)		
38	2493963 WIRE HARNESS ASSY. (PCB-OL CONNECTION) (M9, M10)		
39	5009491 FERRITE CORE (M9, M10)		
40	2425751 TERMINAL BLOCK (M9, M10)		
41	113783J TAPPING SCREW (M9, M10)		
42	352004 WIRE CLIP (M9, M10)		
43	827920J TAPPING SCREW (M9, M10)		
44	099951J EDGE SADDLE (M9, M10)		
45	094708J EDGE SADDLE (M9, M10)		
46	2534508 WIRE HARNESS ASSY. (HPS) (M9, M10)		
47	2433017 RETAINER ASSY. (M9, M10)		
48	2428527 RADIATION SHEET (M9, M10)		
49	2425768 WIRE HARNESS ASSY. (FOR COMMUNICATION) (M9, M10)		
50	2561833 DC FAN MOTOR (M9, M10)		
51	1233757 LOCKING CARD SPACER (M9, M10)		
52	NA CAUTION LABEL (ELECTRIC SHOCK) (M9, M10)		
53	2534582 INSULATION SHEET (M9, M10)		

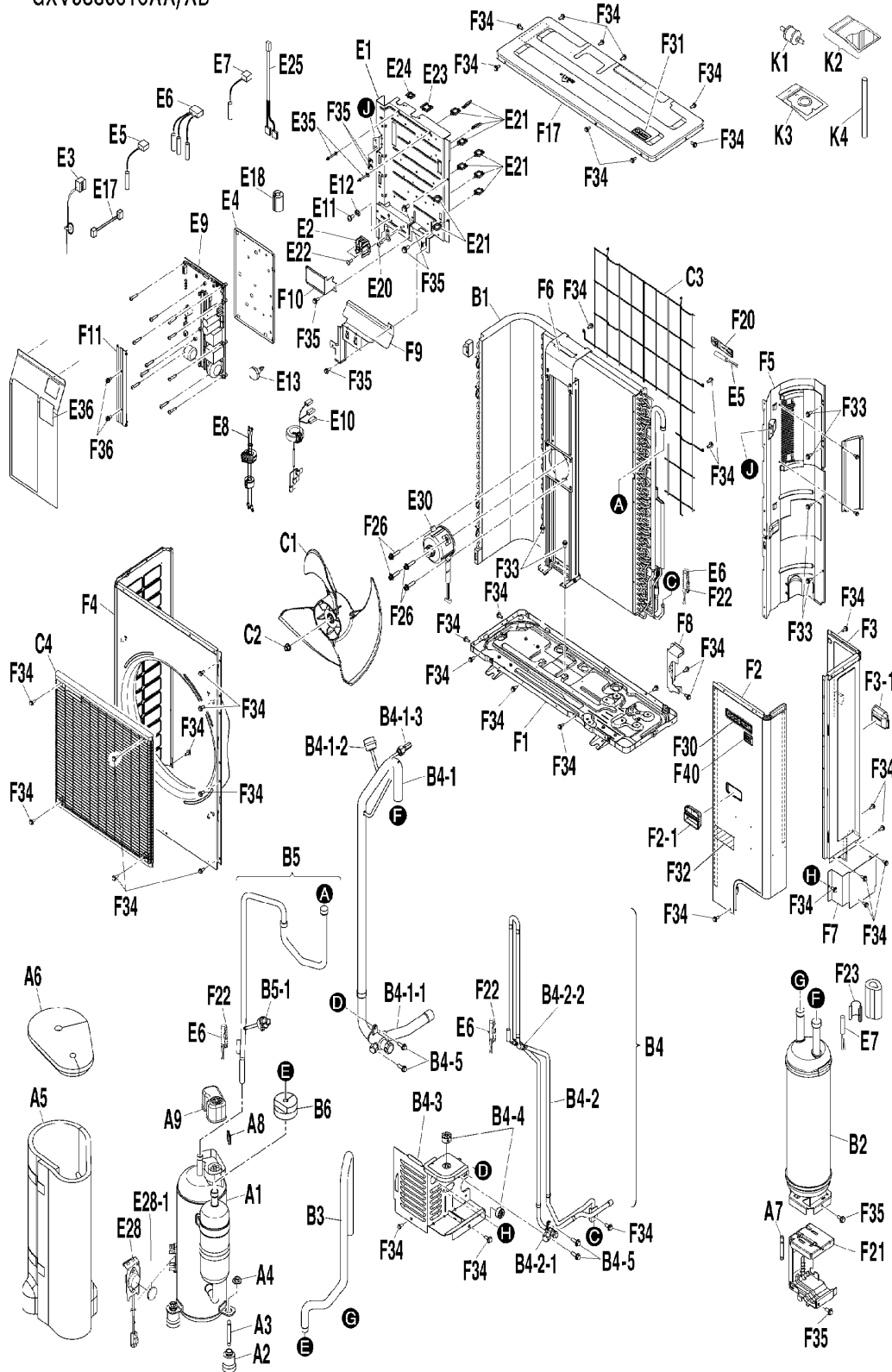
Ref. Part
No: No: Description:

Ref. Part
No: No: Description:

Expanded Model Nomenclature

M1 - GXV6SA1810AA
M2 - GXV6SA2410AA
M3 - GXV6SA3010AA
M4 - GXV6SA3610AA
M5 - GXV6SS1810AA
M6 - GXV6SS2410AA
M7 - GXV6SS3010AA
M8 - GXV6SS3610AA
M9 - GXV6SS4210AA
M10 - GXV6SS4810AA
M11 - GXV6SS6010AA
M12 - GXV9SA2410AA
M13 - GXV9SA3610AA
M14 - GXV9SA4810AA
M15 - GZV6SA1810AA
M16 - GZV6SA2410AA
M17 - GZV6SA3010AA
M18 - GZV6SA3610AA
M19 - GZV6SA4210AA
M20 - GZV6SA4810AA
M21 - GZV6SA6010AA
M22 - GZV7SA2410AA
M23 - GZV7SA3610AA
M24 - GZV7SA4210AA
M25 - GZV7SA4810AA

GXV6SS6010AA/AB



Picture Key

Ref #	Picture #
1	A1
2	A2
3	A3
4	A4
5	A5
6	A6
7	A7
8	A8
9	A9
10	B1
11	B2
12	B3
13	B4
14	B4-1
15	B4-1-1
16	B4-1-2
17	B4-1-3
18	B4-2
19	B4-2-1
20	B4-2-2
21	B4-3
22	B4-4
23	B4-5
24	B5
25	B5-1
26	B6
27	C1
28	C2
29	C3
30	C4
31	E1
32	E10
33	E11
34	E12
35	E13
36	E17
37	E18
38	E2
39	E20
40	E21
41	E22
42	E23
43	E24
44	E25
45	E28
46	E28-1
47	E3
48	E30
49	E35
50	E36
51	E4
52	E5
53	E6
54	E7
55	E8
56	E9
57	F1
58	F10
59	F11
60	F17
61	F2
62	F20
63	F21
64	F2-1
65	F22
66	F23
67	F26
68	F3
69	F30
70	F31
71	F3-1
72	F32
73	F33
74	F34
75	F35
76	F36
77	F4
78	F40
79	F5
80	F6
81	F7
82	F8
83	F9
84	K1
85	K2
86	K3
87	K4

Ref. Part No: No:	Description:	Ref. Part No: No:	Description:
Image 1:		Image 1:	
1	2563525 COMPRESSOR ASSY. (M11)	55	2493949 WIRE HARNESS ASSY. (POWER) (M11)
2	2561829 RUBBER VIBRATION ISOLATOR (M11)	56	2563527 PRINTED CIRCUIT BOARD ASSY. (M11)
3	2119809 COMPRESSOR MOUNTING BOLT (M11)	57	2564212 BOTTOM FRAME ASSY. (M11)
4	4010410 WASHER (NUT WITH WASHER) (M11)	58	2561843 SHIELD PLATE (TERMINAL BLOCK) (M11)
5	2493918 COMPRESSOR SOUNDPROOF (M11)	59	2561844 COVER (M11)
6	4024830 SOUND ABSORBING MATERIAL (M11)	60	2561845 TOP PLATE ASSY. (M11)
7	076850J SET BOLT/ COMPRESSOR (M11)	61	2561835 FRONT PLATE ASSY. (M11)
8	040139J RUBBER BUSH/ LEAD WIRE (M11)	62	157132J THERMISTOR FIXING PLATE (M11)
9	2425597 TERMINAL COVER (M11)	63	2561846 MOUNTING PLATE (M11)
10	2563526 HEAT EXCHANGER ASSY. (M11)	64	092045J HANDLE (M11)
11	2563521 ACCUMULATOR ASSY. (M11)	65	042396J FITTING SPRING/ THERMISTOR (M11)
12	NA SUCTION PIPE (2) (M11)	66	2031411 FEELER BULB CLAMP (M11)
13	NA REFRIGERANT PIPE ASSY. (GAS/LIQUID) (M11)	67	2120405 HEX TAPPING SCREW (3) (M11)
14	NA GAS STOP VALVE ASSY. (M11)	68	2561836 RIGHT SIDE PLATE (M11)
15	4022880 STOP VALVE (M11)	69	2563554 BRAND NAME LABEL (M11)
16	4022182 PRESSURE SENSOR (M11)	70	2564156 LABEL (M11)
17	1721122 FUSIBLE PLUG (M11)	71	092045J HANDLE (M11)
18	NA LIQUID PIPE ASSY. (M11)	72	4023075 CAUTION LABEL (ROTATING) (M11)
19	2494649 LIQUID STOP VALVE ASSY. (M11)	73	1905191 HEX HEAD TAPPING (M11)
20	2433132 PIPING FIXTURE (M11)	74	049594J HEX HEAD TAPPING SCREW (M11)
21	2561831 STOP VALVE MOUNTING PLATE (M11)	75	131453J TRUSS HEAD TAPPING SCREW (M11)
22	2494098 WIRING PROTECTION BUSH (M11)	76	4016867 HEX BOLT (M11)
23	162753J SCREW/ C TIGHT CUP (M11)	77	2561837 FRONT PLATE ASSY. (M11)
24	NA DISCHARGE PIPE ASSY. (M11)	78	2563394 LABEL NAME PLATE (R32) (M11)
25	2534448 HIGH PRESSURE SWITCH (M11)	79	2561838 PARTITION PLATE ASSY. (M11)
26	4017917 SOUNDPROOF PUTTY ASSY. (M11)	80	2561849 FAN MOTOR STAND ASSY. (M11)
27	2561832 PROPELLER FAN (M11)	81	2561840 COVER (SIDE) (M11)
28	847003J LOCK NUT/ FAN (M11)	82	2561841 REAR COVER (M11)
29	2425744 SUCTION GRILLE ASSY. (M11)	83	2561842 MOUNTING PLATE (FIELD WIRING) (M11)
30	2545655 DISCHARGE GRILLE ASSY. (M11)	84	2545851 FILTER DRIER (M11)
31	2546825 EL. COMPO. MOUNTING PLATE (M11)	85	2494067 GREASE ASSY. (M11)
32	2545654 WIRE HARNESS ASSY. (COMP.) (M11)	86	2561847 PATCH PLATE ASSY. (M11)
33	119839J TAPPING SCREW (M11)	87	2223506 ELECTRIC INSULATION (M11)
34	071124J CUP WASHER (M11)		
35	2494687 RIVET (M11)		
36	2493963 WIRE HARNESS ASSY. (PCB-OL CONNECTION) (M11)		
37	5009491 FERRITE CORE (M11)		
38	2425751 TERMINAL BLOCK (M11)		
39	113783J TAPPING SCREW (M11)		
40	352004 WIRE CLIP (M11)		
41	827920J TAPPING SCREW (M11)		
42	099951J EDGE SADDLE (M11)		
43	094708J EDGE SADDLE (M11)		
44	2534508 WIRE HARNESS ASSY. (HPS) (M11)		
45	2433017 RETAINER ASSY. (M11)		
46	2428527 RADIATION SHEET (M11)		
47	2425768 WIRE HARNESS ASSY. (FOR COMMUNICATION) (M11)		
48	2561833 DC FAN MOTOR (M11)		
49	1233757 LOCKING CARD SPACER (M11)		
50	NA CAUTION LABEL (ELECTRIC SHOCK) (M11)		
51	2534582 INSULATION SHEET (M11)		
52	2425775 THERMISTOR (AIR) (M11)		
53	2425782 THERMISTOR ASSY. (M11)		
54	2425799 THERMISTOR (SUCTION) (M11)		

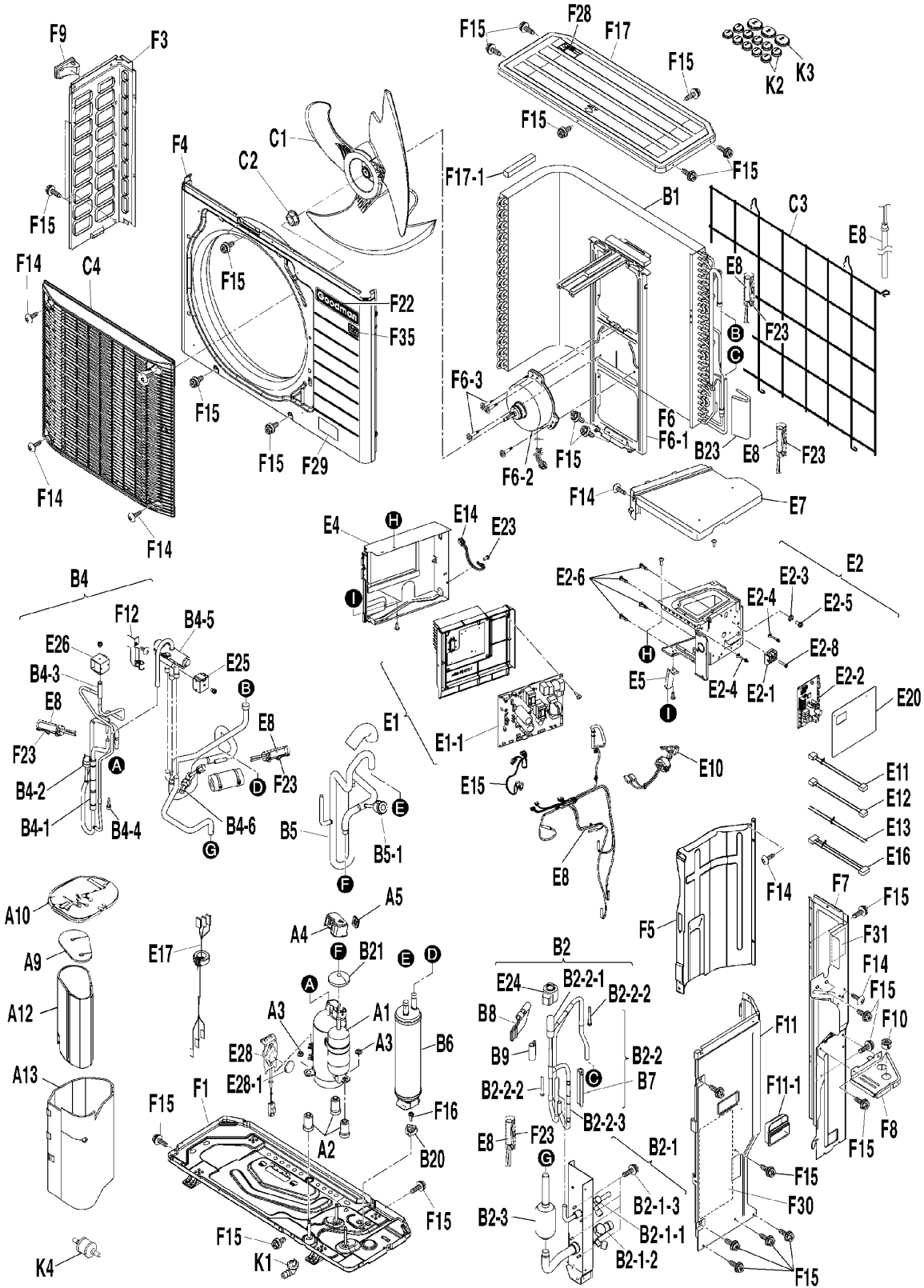
Ref. Part
No: No: Description:

Ref. Part
No: No: Description:

Expanded Model Nomenclature

M1 - GXV6SA1810AA
M2 - GXV6SA2410AA
M3 - GXV6SA3010AA
M4 - GXV6SA3610AA
M5 - GXV6SS1810AA
M6 - GXV6SS2410AA
M7 - GXV6SS3010AA
M8 - GXV6SS3610AA
M9 - GXV6SS4210AA
M10 - GXV6SS4810AA
M11 - GXV6SS6010AA
M12 - GXV9SA2410AA
M13 - GXV9SA3610AA
M14 - GXV9SA4810AA
M15 - GZV6SA1810AA
M16 - GZV6SA2410AA
M17 - GZV6SA3010AA
M18 - GZV6SA3610AA
M19 - GZV6SA4210AA
M20 - GZV6SA4810AA
M21 - GZV6SA6010AA
M22 - GZV7SA2410AA
M23 - GZV7SA3610AA
M24 - GZV7SA4210AA
M25 - GZV7SA4810AA

GXV9SA2410AA/AB



Picture Key

Ref #	Picture #
1	A1
2	A10
3	A12
4	A13
5	A2
6	A3
7	A4
8	A5
9	A9
10	B1
11	B2
12	B20
13	B21
14	B2-1
15	B2-1-1
16	B2-1-2
17	B2-1-3
18	B2-2
19	B2-2-1
20	B2-2-2
21	B2-2-3
22	B23
23	B2-3
24	B4
25	B4-1
26	B4-2
27	B4-3
28	B4-4
29	B4-5
30	B4-6
31	B5
32	B5-1
33	B6
34	B7
35	B8
36	B9
37	C1
38	C2
39	C3
40	C4
41	E1
42	E10
43	E11
44	E1-1
45	E12
46	E13
47	E14
48	E15
49	E16
50	E17
51	E2
52	E20
53	E2-1
54	E2-2
55	E23
56	E2-3
57	E24
58	E2-4
59	E25
60	E2-5
61	E26
62	E2-6
63	E28
64	E2-8
65	E28-1
66	E4
67	E5
68	E7
69	E8
70	F1
71	F10
72	F11
73	F11-1
74	F12
75	F14
76	F15
77	F16
78	F17
79	F17-1
80	F22
81	F23
82	F28
83	F29
84	F3
85	F30
86	F31
87	F35
88	F4
89	F5
90	F6
91	F6-1
92	F6-2
93	F6-3
94	F7
95	F8
96	F9
97	K1
98	K2
99	K3
100	K4

Ref. Part No: No:	Description:	Ref. Part No: No:	Description:
Image 1:		Image 1:	
1	2563426 COMPRESSOR ASSY. (M12)	56	071124J CUP WASHER (M12)
2	2546974 SOUND INSULATION (OUTER TOP) (M12)	57	2545147 COIL / ELECTRONIC EXP. VALVE (M12)
3	2493747 SOUND INSULATION (INNER BODY) (M12)	58	1233757 LOCKING CARD SPACER (M12)
4	2535322 SOUND INSULATION (OUTER BODY) (M12)	59	2545148 FOUR WAY VALVE COIL (M12)
5	128989J VIBRATION ABSORBER (M12)	60	119839J TAPPING SCREW (M12)
6	4010410 WASHER (NUT WITH WASHER) (M12)	61	2534509 COIL/ SOLENOID VALVE (M12)
7	2425597 TERMINAL COVER (M12)	62	1728464 SPACER (PCB) (M12)
8	040139J RUBBER BUSH/ LEAD WIRE (M12)	63	2428510 OVERLOAD PROTECTOR (M12)
9	2493893 SOUND INSULATION (INNER TOP) (M12)	64	1796234 PAN HEAD TAPPING SCREW (M12)
10	2561808 HEAT EXCHANGER ASSY. (M12)	65	2428527 RADIATION SHEET (M12)
11	NA STOP VALVE ASSY. (M12)	66	NA EL. COMPO. BOX ASSY. (1) (M12)
12	380116J CUSHION RUBBER/ ACCUMULATOR (M12)	67	2561811 STAY (M12)
13	112853J VIBRATION ISOLATOR PUTTY (M12)	68	2561850 EL. COMPO. BOX COVER ASSY. (M12)
14	NA STOP VALVE ASSY. (M12)	69	2545146 THERMISTOR ASSY. (M12)
15	2564154 LIQUID STOP VALVE ASSY. (M12)	70	2561813 BOTTOM FRAME ASSY. (M12)
16	2564217 GAS STOP VALVE ASSY. (M12)	71	2494098 WIRING PROTECTION BUSH (M12)
17	109224J HEX. HEAD TAPPING SCREW (M12)	72	2561821 RIGHT SIDE PLATE ASSY. (M12)
18	NA ELECTRONIC EXP. VALVE ASSY. (M12)	73	2548908 HANDLE ASSY. (M12)
19	2204606 BODY/ ELECTRONIC EXP. VALVE (M12)	74	2535320 PIPING FIXTURE ASSY. (M12)
20	008529J STRAINER (FOR REF.) (M12)	75	008203J TRUSS HEAD TAPPING SCREW (M12)
21	151188J CHECK VALVE (M12)	76	109224J HEX. HEAD TAPPING SCREW (M12)
22	1666085 SOUNDPROOF PUTTY (M12)	77	1821022 TAPPING SCREW (M12)
23	NA MUFFLER ASSY. (M12)	78	2561822 TOP PLATE ASSY. (M12)
24	NA FOUR WAY VALVE ASSY. (M12)	79	4015634 CUSHION MATERIAL (HEAT EXCHANGER) (M12)
25	107638J CHECK VALVE (M12)	80	2563554 BRAND NAME LABEL (M12)
26	2534448 HIGH PRESSURE SWITCH (M12)	81	042396J FITTING SPRING/ THERMISTOR (M12)
27	2165965 BODY/ SOLENOID VALVE (M12)	82	2564156 LABEL (M12)
28	111167J STRAINER (M12)	83	4023075 CAUTION LABEL (ROTATING) (M12)
29	2455992 BODY/ FOUR WAY VALVE (M12)	84	2561814 LEFT SIDE PLATE ASSY. (M12)
30	1721122 FUSIBLE PLUG (M12)	85	NA COLLECTIVE INDICATIONS LABEL (M12)
31	NA SUCTION PIPE ASSY. (M12)	86	NA CAUTION LABEL (ELECTRIC SHOCK) (M12)
32	2545134 PRESSURE SENSOR (M12)	87	2563394 LABEL NAME PLATE (R32) (M12)
33	2563392 ACCUMULATOR ASSY. (M12)	88	2561815 FRONT PLATE (M12)
34	2535318 SOUNDPROOF PUTTY (M12)	89	2561816 PARTITION PLATE (M12)
35	2546975 SOUNDPROOF PUTTY (M12)	90	2561824 FAN MOTOR STAND ASSY. (WITH FAN MOTOR) (M12)
36	2535324 SOUNDPROOF PUTTY (M12)	91	2561825 FAN MOTOR STAND ASSY. (M12)
37	2561809 PROPELLER FAN ASSY. (M12)	92	2545649 DC FAN MOTOR (M12)
38	847003J LOCK NUT/ FAN (M12)	93	2120405 HEX. TAPPING SCREW (3) (M12)
39	2425643 PROTECTION NET (M12)	94	2561819 REAR PLATE ASSY. (M12)
40	4022196 DISCHARGE GRILLE ASSY. (M12)	95	2561820 CONDUIT MOUNTING PLATE ASSY. (M12)
41	2564161 EL. COMPO. MOUNTING PLATE ASSY. (M12)	96	4015625 HANDLE (LEFT) (M12)
42	2545140 WIRE HARNESS ASSY. (POWER) (M12)	97	058956J DRAIN JOINT (M12)
43	2545141 WIRE HARNESS ASSY. (CT POWER) (M12)	98	2253709 CAP 1 (DRAIN) (M12)
44	2559717 PRINTED CIRCUIT BOARD ASSY. (M12)	99	2253716 CAP 2 (DRAIN) (M12)
45	2545635 WIRE HARNESS ASSY. (ACS) (M12)	100	2545851 FILTER DRIER (M12)
46	2545636 WIRE HARNESS ASSY. (COMMUNICATION) (M12)		
47	2545637 EARTH WIRE (M12)		
48	2545638 WIRE HARNESS ASSY. (HPS/OL) (M12)		
49	2545648 WIRE HARNESS ASSY. (FAN MOTOR RELAY) (M12)		
50	2545142 WIRE HARNESS ASSY. (COMP.) (M12)		
51	NA EL. COMPO. BOX ASSY. (TERMINAL BLOCK) (M12)		
52	2545657 INSULATION SHEET (M12)		
53	4022185 TERMINAL BLOCK (M12)		
54	2563427 PRINTED CIRCUIT BOARD ASSY. (CT) (M12)		
55	113783J TAPPING SCREW (M12)		

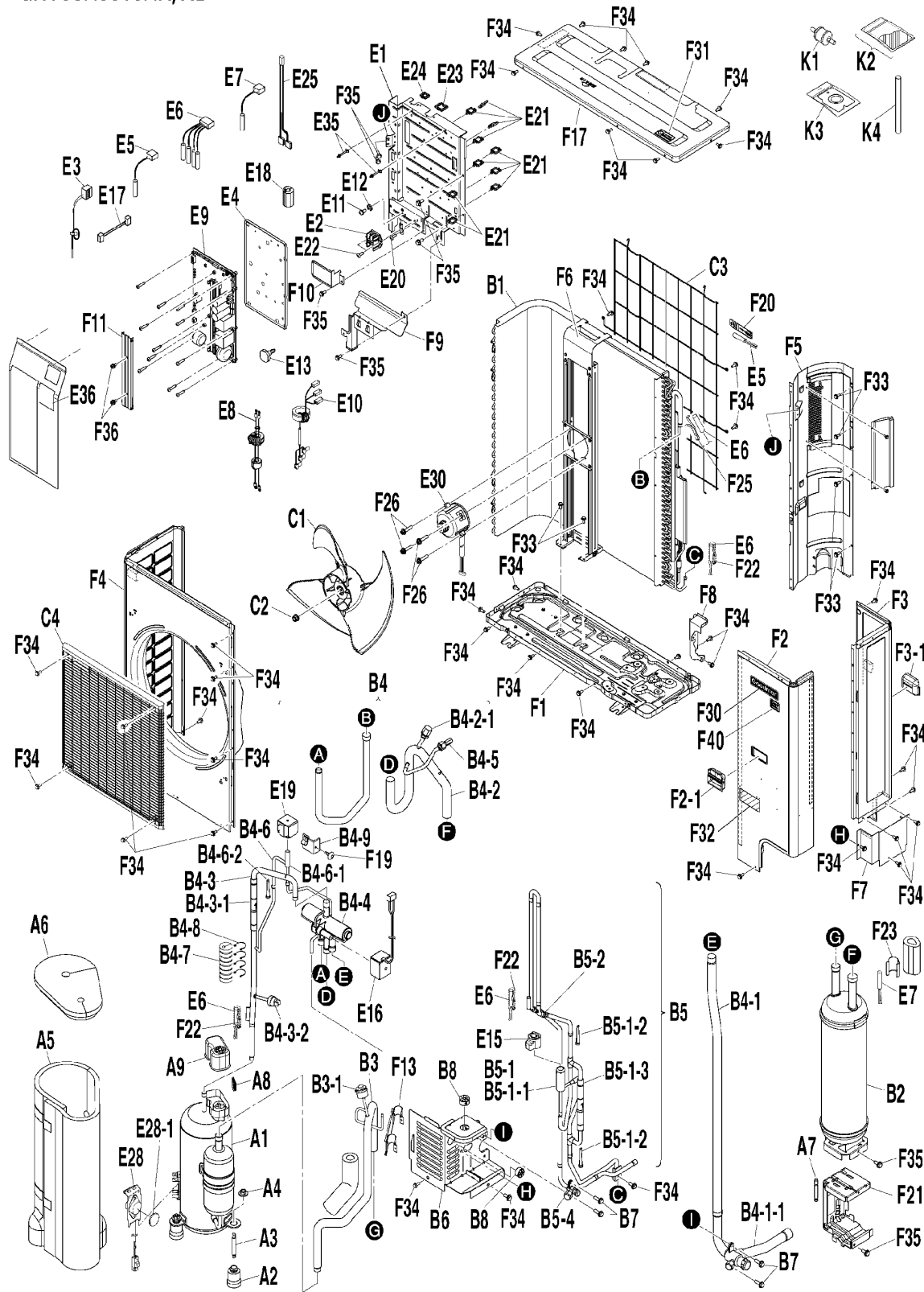
Ref. Part
No: No: Description:

Ref. Part
No: No: Description:

Expanded Model Nomenclature

M1 - GXV6SA1810AA
M2 - GXV6SA2410AA
M3 - GXV6SA3010AA
M4 - GXV6SA3610AA
M5 - GXV6SS1810AA
M6 - GXV6SS2410AA
M7 - GXV6SS3010AA
M8 - GXV6SS3610AA
M9 - GXV6SS4210AA
M10 - GXV6SS4810AA
M11 - GXV6SS6010AA
M12 - GXV9SA2410AA
M13 - GXV9SA3610AA
M14 - GXV9SA4810AA
M15 - GZV6SA1810AA
M16 - GZV6SA2410AA
M17 - GZV6SA3010AA
M18 - GZV6SA3610AA
M19 - GZV6SA4210AA
M20 - GZV6SA4810AA
M21 - GZV6SA6010AA
M22 - GZV7SA2410AA
M23 - GZV7SA3610AA
M24 - GZV7SA4210AA
M25 - GZV7SA4810AA

GXV9SA3610AA/AB



Picture Key	
Ref #	Picture #
1	A1
2	A2
3	A3
4	A4
5	A5
6	A6
7	A7
8	A8
9	A9
10	B1
11	B2
12	B3
13	B3-1
14	B4
15	B4-1
16	B4-1-1
17	B4-2
18	B4-2-1
19	B4-3
20	B4-3-1
21	B4-3-2
22	B4-4
23	B4-5
24	B4-6
25	B4-6-1
26	B4-6-2
27	B4-7
28	B4-8
29	B4-9
30	B5
31	B5-1
32	B5-1-1
33	B5-1-2
34	B5-1-3
35	B5-2
36	B5-4
37	B5
38	B7
39	B8
40	C1
41	C2
42	C3
43	C4
44	E1
45	E10
46	E11
47	E12
48	E13
49	E15
50	E16
51	E17
52	E18
53	E19
54	E2
55	E20
56	E21
57	E22
58	E23
59	E24
60	E25
61	E28
62	E28-1
63	E3
64	E30
65	E35
66	E36
67	E4
68	E5
69	E6
70	E7
71	E8
72	E9
73	F1
74	F10
75	F11
76	F13
77	F17
78	F19
79	F20
80	F21
81	F22
82	F23
83	F25
84	F26
85	F28
86	F29
87	F3
88	F30
89	F31
90	F3-1
91	F32
92	F33
93	F34
94	F35
95	F36
96	F4
97	F40
98	F5
99	F6
100	F7
101	F8
102	F9
103	K1
104	K2
105	K3
106	K4

Ref. Part No: No:	Description:	Ref. Part No: No:	Description:
Image 1:		Image 1:	
1	2563519 COMPRESSOR ASSY. (M13)	56	352004 WIRE CLIP (M13)
2	2561829 RUBBER VIBRATION ISOLATOR (M13)	57	827920J TAPPING SCREW (M13)
3	2119809 COMPRESSOR MOUNTING BOLT (M13)	58	099951J EDGE SADDLE (M13)
4	4010410 WASHER (NUT WITH WASHER) (M13)	59	094708J EDGE SADDLE (M13)
5	2493918 COMPRESSOR SOUNDPROOF (M13)	60	2534508 WIRE HARNESS ASSY. (HPS) (M13)
6	4024830 SOUND ABSORBING MATERIAL (M13)	61	2433017 RETAINER ASSY. (M13)
7	076850J SET BOLT/ COMPRESSOR (M13)	62	2428527 RADIATION SHEET (M13)
8	040139J RUBBER BUSH/ LEAD WIRE (M13)	63	2425768 WIRE HARNESS ASSY. (FOR COMMUNICATION) (M13)
9	2425597 TERMINAL COVER (M13)		
10	2563532 HEAT EXCHANGER ASSY. (M13)	64	2561833 DC FAN MOTOR (M13)
11	2563521 ACCUMULATOR ASSY. (M13)	65	1233757 LOCKING CARD SPACER (M13)
12	NA SUCTION PIPE ASSY. (M13)	66	NA CAUTION LABEL (ELECTRIC SHOCK) (M13)
13	4022182 PRESSURE SENSOR (M13)	67	2534582 INSULATION SHEET (M13)
14	NA FOUR WAY VALVE ASSY. (M13)	68	2425775 THERMISTOR (AIR) (M13)
15	NA GAS STOP VALVE ASSY. (M13)	69	2493932 THERMISTOR ASSY. (M13)
16	4022880 STOP VALVE (M13)	70	2425799 THERMISTOR (SUCTION) (M13)
17	NA SUCTION PIPE ASSY. (1) (M13)	71	2493949 WIRE HARNESS ASSY. (POWER) (M13)
18	094867J SERVICING PORT ASSY. (M13)	72	2563533 PRINTED CIRCUIT BOARD ASSY. (M13)
19	NA DISCHARGE PIPE ASSY. (M13)	73	2564212 BOTTOM FRAME ASSY. (M13)
20	107638J CHECK VALVE (M13)	74	2561843 SHIELD PLATE (TERMINAL BLOCK) (M13)
21	2534448 HIGH PRESSURE SWITCH (M13)	75	2561844 COVER (M13)
22	1858062 BODY/ FOUR WAY VALVE (M13)	76	2535327 PIPING FIXTURE ASSY. (M13)
23	1721122 FUSIBLE PLUG (M13)	77	2561855 TOP PLATE ASSY. (M13)
24	NA REFRIGERANT PIPE ASSY. (HOT GAS) (M13)	78	NA HEAD MACHINE SCREW (M13)
25	2165965 BODY/ SOLENOID VALVE (M13)	79	2561835 FRONT PLATE ASSY. (M13)
26	111167J STRAINER (M13)	80	157132J THERMISTOR FIXING PLATE (M13)
27	980752J PIPING WEIGHT (M13)	81	2561846 MOUNTING PLATE (M13)
28	980761J WEIGHT CLIP (M13)	82	092045J HANDLE (M13)
29	2535326 PIPING FIXTURE ASSY. (M13)	83	042396J FITTING SPRING/ THERMISTOR (M13)
30	NA ELECTRONIC EXP. VALVE ASSY. (M13)	84	2031411 FEELER BULB CLAMP (M13)
31	NA ELECTRONIC EXP. VALVE ASSY. (2) (M13)	85	007432J RETAINER/ THERMISTOR CLAMP (M13)
32	2204606 BODY/ ELECTRONIC EXP. VALVE (M13)	86	2120405 HEX TAPPING SCREW (3) (M13)
33	008529J STRAINER (FOR REF.) (M13)	87	2561836 RIGHT SIDE PLATE (M13)
34	038621J CHECK VALVE (M13)	88	2563554 BRAND NAME LABEL (M13)
35	2433132 PIPING FIXTURE (M13)	89	2564156 LABEL (M13)
36	2494649 LIQUID STOP VALVE ASSY. (M13)	90	092045J HANDLE (M13)
37	2561831 STOP VALVE MOUNTING PLATE (M13)	91	4023075 CAUTION LABEL (ROTATING) (M13)
38	162753J SCREW/ C TIGHT CUP (M13)	92	1905191 HEX HEAD TAPPING (M13)
39	2494098 WIRING PROTECTION BUSH (M13)	93	049594J HEX HEAD TAPPING SCREW (M13)
40	2561832 PROPELLER FAN (M13)	94	131453J TRUSS HEAD TAPPING SCREW (M13)
41	847003J LOCK NUT/ FAN (M13)	95	4016867 HEX BOLT (M13)
42	2425744 SUCTION GRILLE ASSY. (M13)	96	2561854 FRONT PLATE ASSY. (M13)
43	2545655 DISCHARGE GRILLE ASSY. (M13)	97	2563394 LABEL NAME PLATE (R32) (M13)
44	2546825 EL. COMPO. MOUNTING PLATE (M13)	98	2561838 PARTITION PLATE ASSY. (M13)
45	2545654 WIRE HARNESS ASSY. (COMP.) (M13)	99	2561839 FAN MOTOR STAND ASSY. (M13)
46	119839J TAPPING SCREW (M13)	100	2561840 COVER (SIDE) (M13)
47	071124J CUP WASHER (M13)	101	2561841 REAR COVER (M13)
48	2494687 RIVET (M13)	102	2561842 MOUNTING PLATE (FIELD WIRING) (M13)
49	2493956 COIL/ ELECTRONIC EXP. VALVE (M13)	103	2545851 FILTER DRIER (M13)
50	2493855 COIL/ FOUR WAY VALVE (M13)	104	2494067 GREASE ASSY. (M13)
51	2493963 WIRE HARNESS ASSY. (PCB-OL CONNECTION) (M13)	105	2561847 PATCH PLATE ASSY. (M13)
		106	2223506 ELECTRIC INSULATION (M13)
52	5009491 FERRITE CORE (M13)		
53	2534509 COIL/ SOLENOID VALVE (M13)		
54	2425751 TERMINAL BLOCK (M13)		
55	113783J TAPPING SCREW (M13)		

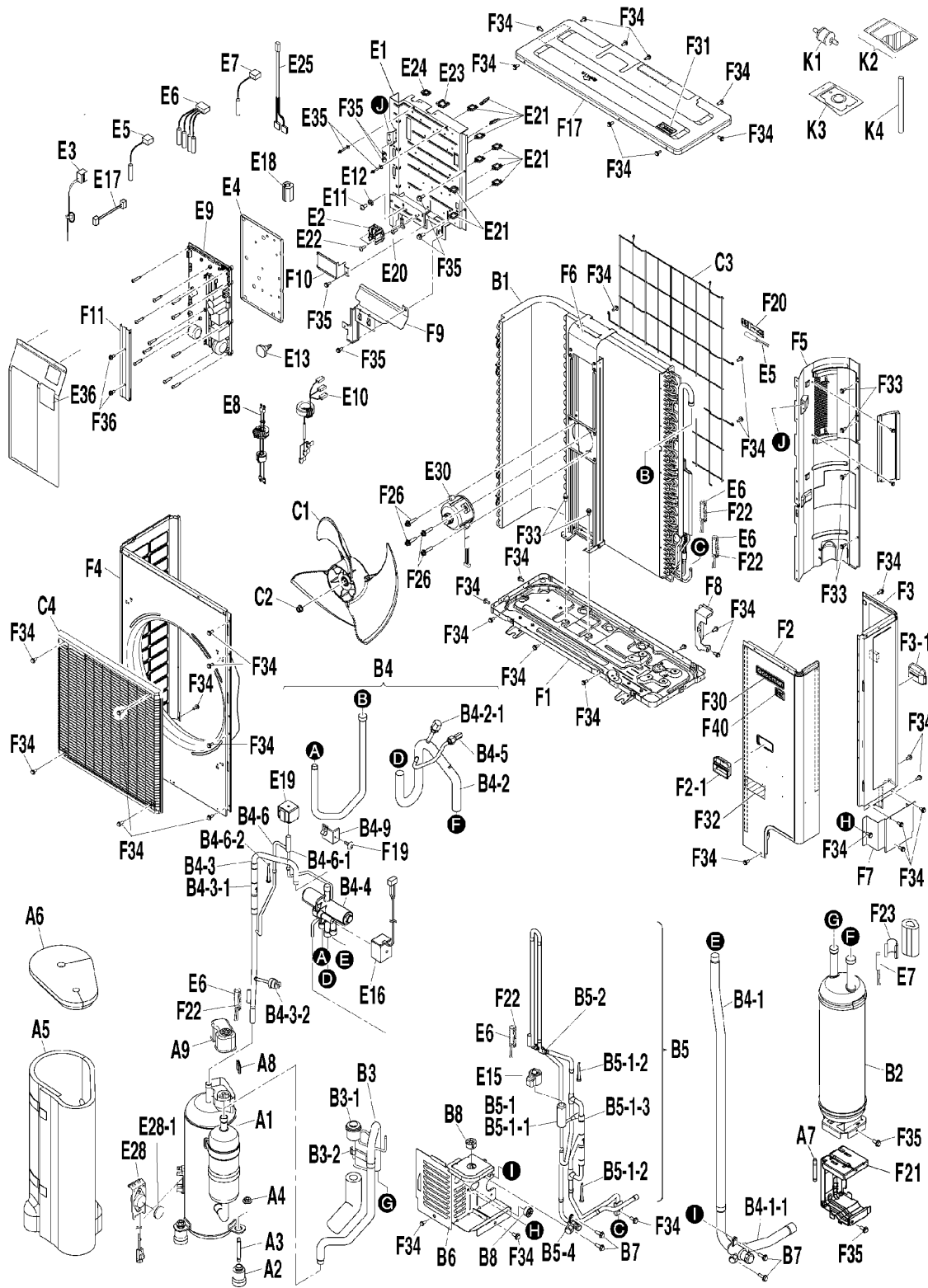
Ref. Part
No: No: Description:

Ref. Part
No: No: Description:

Expanded Model Nomenclature

M1 - GXV6SA1810AA
M2 - GXV6SA2410AA
M3 - GXV6SA3010AA
M4 - GXV6SA3610AA
M5 - GXV6SS1810AA
M6 - GXV6SS2410AA
M7 - GXV6SS3010AA
M8 - GXV6SS3610AA
M9 - GXV6SS4210AA
M10 - GXV6SS4810AA
M11 - GXV6SS6010AA
M12 - GXV9SA2410AA
M13 - GXV9SA3610AA
M14 - GXV9SA4810AA
M15 - GZV6SA1810AA
M16 - GZV6SA2410AA
M17 - GZV6SA3010AA
M18 - GZV6SA3610AA
M19 - GZV6SA4210AA
M20 - GZV6SA4810AA
M21 - GZV6SA6010AA
M22 - GZV7SA2410AA
M23 - GZV7SA3610AA
M24 - GZV7SA4210AA
M25 - GZV7SA4810AA

GXV9SA4810AA/AB



Picture Key	
Ref #	Picture #
1	A1
2	A2
3	A3
4	A4
5	A5
6	A6
7	A7
8	A8
9	A9
10	B1
11	B2
12	B3
13	B3-1
14	B3-2
15	B4
16	B4-1
17	B4-1-1
18	B4-2
19	B4-2-1
20	B4-3
21	B4-3-1
22	B4-3-2
23	B4-4
24	B4-5
25	B4-6
26	B4-6-1
27	B4-6-2
28	B4-9
29	B5
30	B5-1
31	B5-1-1
32	B5-1-2
33	B5-1-3
34	B5-2
35	B5-4
36	B6
37	B7
38	B8
39	C1
40	C2
41	C3
42	C4
43	E1
44	E10
45	E11
46	E12
47	E13
48	E15
49	E16
50	E17
51	E18
52	E19
53	E2
54	E20
55	E21
56	E22
57	E23
58	E24
59	E25
60	E28
61	E28-1
62	E3
63	E30
64	E35
65	E36
66	E4
67	E5
68	E6
69	E7
70	E8
71	E9
72	F1
73	F10
74	F11
75	F17
76	F19
77	F2
78	F20
79	F21
80	F2-1
81	F22
82	F23
83	F26
84	F3
85	F30
86	F31
87	F3-1
88	F32
89	F33
90	F34
91	F35
92	F36
93	F4
94	F40
95	F5
96	F6
97	F7
98	F8
99	F9
100	K1
101	K2
102	K3
103	K4

Ref. Part No: No:	Description:	Ref. Part No: No:	Description:
Image 1:		Image 1:	
1	2563525 COMPRESSOR ASSY. (M14)	56	827920J TAPPING SCREW (M14)
2	2561829 RUBBER VIBRATION ISOLATOR (M14)	57	099951J EDGE SADDLE (M14)
3	2119809 COMPRESSOR MOUNTING BOLT (M14)	58	094708J EDGE SADDLE (M14)
4	4010410 WASHER (NUT WITH WASHER) (M14)	59	2534508 WIRE HARNESS ASSY. (HPS) (M14)
5	2493918 COMPRESSOR SOUNDPROOF (M14)	60	2433017 RETAINER ASSY. (M14)
6	4024830 SOUND ABSORBING MATERIAL (M14)	61	2428527 RADIATION SHEET (M14)
7	076850J SET BOLT/ COMPRESSOR (M14)	62	2425768 WIRE HARNESS ASSY. (FOR COMMUNICATION) (M14)
8	040139J RUBBER BUSH/ LEAD WIRE (M14)	63	2561833 DC FAN MOTOR (M14)
9	2425597 TERMINAL COVER (M14)	64	1233757 LOCKING CARD SPACER (M14)
10	2563548 HEAT EXCHANGER ASSY. (M14)	65	NA CAUTION LABEL (ELECTRIC SHOCK) (M14)
11	2563521 ACCUMULATOR ASSY. (M14)	66	2534582 INSULATION SHEET (M14)
12	NA SUCTION PIPE ASSY. (M14)	67	2425775 THERMISTOR (AIR) (M14)
13	4022182 PRESSURE SENSOR (M14)	68	2493932 THERMISTOR ASSY. (M14)
14	2535329 PIPING FIXTURE ASSY. (M14)	69	2425799 THERMISTOR (SUCTION) (M14)
15	NA FOUR WAY VALVE ASSY. (M14)	70	2493949 WIRE HARNESS ASSY. (POWER) (M14)
16	NA GAS STOP VALVE ASSY. (M14)	71	2563549 PRINTED CIRCUIT BOARD ASSY. (M14)
17	4022880 STOP VALVE (M14)	72	2564212 BOTTOM FRAME ASSY. (M14)
18	NA SUCTION PIPE ASSY. (1) (M14)	73	2561843 SHIELD PLATE (TERMINAL BLOCK) (M14)
19	094867J SERVICING PORT ASSY. (M14)	74	2561844 COVER (M14)
20	NA DISCHARGE PIPE ASSY. (M14)	75	2561855 TOP PLATE ASSY. (M14)
21	107638J CHECK VALVE (M14)	76	NA HEAD MACHINE SCREW (M14)
22	2534448 HIGH PRESSURE SWITCH (M14)	77	2561835 FRONT PLATE ASSY. (M14)
23	1858062 BODY/ FOUR WAY VALVE (M14)	78	157132J THERMISTOR FIXING PLATE (M14)
24	1721122 FUSIBLE PLUG (M14)	79	2561846 MOUNTING PLATE (M14)
25	NA REFRIGERANT PIPE ASSY. (HOT GAS) (M14)	80	092045J HANDLE (M14)
26	2165965 BODY/ SOLENOID VALVE (M14)	81	042396J FITTING SPRING/ THERMISTOR (M14)
27	111167J STRAINER (M14)	82	2031411 FEELER BULB CLAMP (M14)
28	2535326 PIPING FIXTURE ASSY. (M14)	83	2120405 HEX TAPPING SCREW (3) (M14)
29	NA ELECTRONIC EXP. VALVE ASSY. (M14)	84	2561836 RIGHT SIDE PLATE (M14)
30	NA ELECTRONIC EXP. VALVE ASSY. (2) (M14)	85	2563554 BRAND NAME LABEL (M14)
31	2204606 BODY/ ELECTRONIC EXP. VALVE (M14)	86	2564156 LABEL (M14)
32	008529J STRAINER (FOR REF.) (M14)	87	092045J HANDLE (M14)
33	038621J CHECK VALVE (M14)	88	4023075 CAUTION LABEL (ROTATING) (M14)
34	2433132 PIPING FIXTURE (M14)	89	1905191 HEX HEAD TAPPING (M14)
35	2494649 LIQUID STOP VALVE ASSY. (M14)	90	049594J HEX HEAD TAPPING SCREW (M14)
36	2561831 STOP VALVE MOUNTING PLATE (M14)	91	131453J TRUSS HEAD TAPPING SCREW (M14)
37	162753J SCREW/ C TIGHT CUP (M14)	92	4016867 HEX BOLT (M14)
38	2494098 WIRING PROTECTION BUSH (M14)	93	2561854 FRONT PLATE ASSY. (M14)
39	2561832 PROPELLER FAN (M14)	94	2563394 LABEL NAME PLATE (R32) (M14)
40	847003J LOCK NUT/ FAN (M14)	95	2561838 PARTITION PLATE ASSY. (M14)
41	2425744 SUCTION GRILLE ASSY. (M14)	96	2561849 FAN MOTOR STAND ASSY. (M14)
42	2545655 DISCHARGE GRILLE ASSY. (M14)	97	2561840 COVER (SIDE) (M14)
43	2546825 EL. COMPO. MOUNTING PLATE (M14)	98	2561841 REAR COVER (M14)
44	2545654 WIRE HARNESS ASSY. (COMP.) (M14)	99	2561842 MOUNTING PLATE (FIELD WIRING) (M14)
45	119839J TAPPING SCREW (M14)	100	2545851 FILTER DRIER (M14)
46	071124J CUP WASHER (M14)	101	2494067 GREASE ASSY. (M14)
47	2494687 RIVET (M14)	102	2561847 PATCH PLATE ASSY. (M14)
48	2493956 COIL/ ELECTRONIC EXP. VALVE (M14)	103	2223506 ELECTRIC INSULATION (M14)
49	2493855 COIL/ FOUR WAY VALVE (M14)		
50	2493963 WIRE HARNESS ASSY. (PCB-OL CONNECTION) (M14)		
51	5009491 FERRITE CORE (M14)		
52	2534509 COIL/ SOLENOID VALVE (M14)		
53	2425751 TERMINAL BLOCK (M14)		
54	113783J TAPPING SCREW (M14)		
55	352004 WIRE CLIP (M14)		

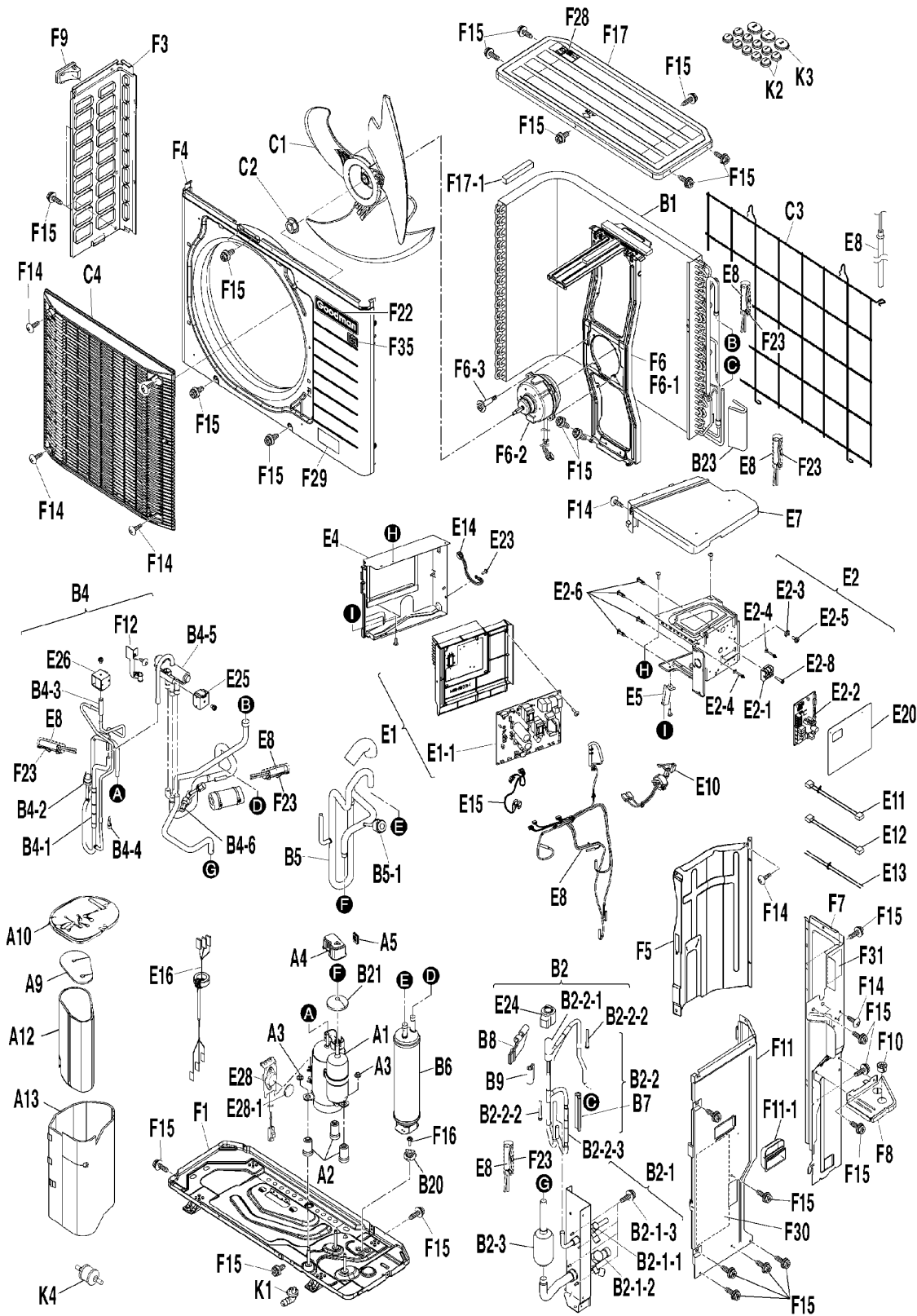
Ref. Part
No: No: Description:

Ref. Part
No: No: Description:

Expanded Model Nomenclature

M1 - GXV6SA1810AA
M2 - GXV6SA2410AA
M3 - GXV6SA3010AA
M4 - GXV6SA3610AA
M5 - GXV6SS1810AA
M6 - GXV6SS2410AA
M7 - GXV6SS3010AA
M8 - GXV6SS3610AA
M9 - GXV6SS4210AA
M10 - GXV6SS4810AA
M11 - GXV6SS6010AA
M12 - GXV9SA2410AA
M13 - GXV9SA3610AA
M14 - GXV9SA4810AA
M15 - GZV6SA1810AA
M16 - GZV6SA2410AA
M17 - GZV6SA3010AA
M18 - GZV6SA3610AA
M19 - GZV6SA4210AA
M20 - GZV6SA4810AA
M21 - GZV6SA6010AA
M22 - GZV7SA2410AA
M23 - GZV7SA3610AA
M24 - GZV7SA4210AA
M25 - GZV7SA4810AA

GZV6SA1810AA/AB GZV6SA2410AA/AB



Picture Key	
Ref #	Picture #
1	A1
2	A10
3	A12
4	A13
5	A2
6	A3
7	A4
8	A5
9	A9
10	B1
11	B2
12	B20
13	B21
14	B2-1
15	B2-1-1
16	B2-1-2
17	B2-1-3
18	B2-2
19	B2-2-1
20	B2-2-2
21	B2-2-3
22	B23
23	B2-3
24	B4
25	B4-1
26	B4-2
27	B4-3
28	B4-4
29	B4-5
30	B4-6
31	B5
32	B5-1
33	B6
34	B7
35	B8
36	B9
37	C1
38	C2
39	C3
40	C4
41	E1
42	E10
43	E11
44	E1-1
45	E12
46	E13
47	E14
48	E15
49	E16
50	E2
51	E20
52	E2-1
53	E2-2
54	E2-3
55	E2-4
56	E2-5
57	E2-6
58	E2-8
59	E2-3
60	E2-4
61	E2-5
62	E2-6
63	E2-8
64	E28-1
65	E4
66	E5
67	E7
68	E8
69	F1
70	F10
71	F11
72	F11-1
73	F12
74	F14
75	F15
76	F16
77	F17
78	F17-1
79	F22
80	F23
81	F28
82	F29
83	F3
84	F30
85	F31
86	F35
87	F4
88	F5
89	F6
90	F6-1
91	F6-2
92	F6-3
93	F7
94	F8
95	F9
96	K1
97	K2
98	K3
99	K4

Ref. Part No: No:	Description:	Ref. Part No: No:	Description:
Image 1:		Image 1:	
1	2563391 COMPRESSOR ASSY. (M15, M16)	55	071124J CUP WASHER (M15, M16)
2	2546974 SOUND INSULATION (OUTER TOP) (M15, M16)	56	2545147 COIL / ELECTRONIC EXP. VALVE (M15, M16)
3	2493747 SOUND INSULATION (INNER BODY) (M15, M16)	57	1233757 LOCKING CARD SPACER (M15, M16)
4	2535322 SOUND INSULATION (OUTER BODY) (M15, M16)	58	2545148 FOUR WAY VALVE COIL (M15, M16)
5	128989J VIBRATION ABSORBER (M15, M16)	59	119839J TAPPING SCREW (M15, M16)
6	4010410 WASHER (NUT WITH WASHER) (M15, M16)	60	2534509 COIL/ SOLENOID VALVE (M15, M16)
7	2425597 TERMINAL COVER (M15, M16)	61	1728464 SPACER (PCB) (M15, M16)
8	040139J RUBBER BUSH/ LEAD WIRE (M15, M16)	62	2428510 OVERLOAD PROTECTOR (M15, M16)
9	2493893 SOUND INSULATION (INNER TOP) (M15, M16)	63	1796234 PAN HEAD TAPPING SCREW (M15, M16)
10	2561808 HEAT EXCHANGER ASSY. (M15, M16)	64	2428527 RADIATION SHEET (M15, M16)
11	NA STOP VALVE ASSY. (M15, M16)	65	NA EL. COMPO. BOX ASSY. (1) (M15, M16)
12	380116J CUSHION RUBBER/ ACCUMULATOR (M15, M16)	66	2561811 STAY (M15, M16)
13	112853J VIBRATION ISOLATOR PUTTY (M15, M16)	67	2561860 EL. COMPO. BOX COVER ASSY. (M15, M16)
14	NA STOP VALVE ASSY. (M15, M16)	68	2545146 THERMISTOR ASSY. (M15, M16)
15	2564154 LIQUID STOP VALVE ASSY. (M15, M16)	69	2561813 BOTTOM FRAME ASSY. (M15, M16)
16	2564216 GAS STOP VALVE ASSY. (M15, M16)	70	2494098 WIRING PROTECTION BUSH (M15, M16)
17	109224J HEX HEAD TAPPING SCREW (M15, M16)	71	2561821 RIGHT SIDE PLATE ASSY. (M15, M16)
18	NA ELECTRONIC EXP. VALVE ASSY. (M15, M16)	72	2548908 HANDLE ASSY. (M15, M16)
19	2204606 BODY/ ELECTRONIC EXP. VALVE (M15, M16)	73	2535320 PIPING FIXTURE ASSY. (M15, M16)
20	008529J STRAINER (FOR REF.) (M15, M16)	74	008203J TRUSS HEAD TAPPING SCREW (M15, M16)
21	151188J CHECK VALVE (M15, M16)	75	109224J HEX HEAD TAPPING SCREW (M15, M16)
22	1666085 SOUNDPROOF PUTTY (M15, M16)	76	1821022 TAPPING SCREW (M15, M16)
23	NA MUFFLER ASSY. (M15, M16)	77	2561822 TOP PLATE ASSY. (M15, M16)
24	NA FOUR WAY VALVE ASSY. (M15, M16)	78	4015634 CUSHION MATERIAL (HEAT EXCHANGER) (M15, M16)
25	038621J CHECK VALVE (M15, M16)		
26	2534448 HIGH PRESSURE SWITCH (M15, M16)	79	2563554 BRAND NAME LABEL (M15, M16)
27	2165965 BODY/ SOLENOID VALVE (M15, M16)	80	042396J FITTING SPRING/ THERMISTOR (M15, M16)
28	111167J STRAINER (M15, M16)	81	2564156 LABEL (M15, M16)
29	2455992 BODY/ FOUR WAY VALVE (M15, M16)	82	4023075 CAUTION LABEL (ROTATING) (M15, M16)
30	1721122 FUSIBLE PLUG (M15, M16)	83	2561814 LEFT SIDE PLATE ASSY. (M15, M16)
31	NA SUCTION PIPE ASSY. (M15, M16)	84	NA COLLECTIVE INDICATIONS LABEL (M15, M16)
32	2545134 PRESSURE SENSOR (M15, M16)	85	NA CAUTION LABEL (ELECTRIC SHOCK) (M15, M16)
33	2563392 ACCUMULATOR ASSY. (M15, M16)	86	2563394 LABEL NAME PLATE (R32) (M15, M16)
34	2535318 SOUNDPROOF PUTTY (M15, M16)	87	2561815 FRONT PLATE (M15, M16)
35	2546975 SOUNDPROOF PUTTY (M15, M16)	88	2561816 PARTITION PLATE (M15, M16)
36	2535324 SOUNDPROOF PUTTY (M15, M16)	89	2561817 FAN MOTOR STAND ASSY. (WITH FAN MOTOR) (M15, M16)
37	2561809 PROPELLER FAN ASSY. (M15, M16)		
38	847003J LOCK NUT/ FAN (M15, M16)	90	2561818 FAN MOTOR STAND ASSY. (M15, M16)
39	2425643 PROTECTION NET (M15, M16)	91	2545639 DC FAN MOTOR (M15, M16)
40	4022196 DISCHARGE GRILLE ASSY. (M15, M16)	92	2120405 HEX TAPPING SCREW (3) (M15, M16)
41	2564160 EL. COMPO. MOUNTING PLATE ASSY. (M15, M16)	93	2561819 REAR PLATE ASSY. (M15, M16)
42	2545140 WIRE HARNESS ASSY. (POWER) (M15, M16)	94	2561820 CONDUIT MOUNTING PLATE ASSY. (M15, M16)
43	2545141 WIRE HARNESS ASSY. (CT POWER) (M15, M16)	95	4015625 HANDLE (LEFT) (M15, M16)
44	2545135 PRINTED CIRCUIT BOARD ASSY. (M15, M16)	96	058956J DRAIN JOINT (M15, M16)
45	2545635 WIRE HARNESS ASSY. (ACS) (M15, M16)	97	2253709 CAP 1 (DRAIN) (M15, M16)
46	2545636 WIRE HARNESS ASSY. (COMMUNICATION) (M15, M16)	98	2253716 CAP 2 (DRAIN) (M15, M16)
		99	2545851 FILTER DRIER (M15, M16)
47	2545637 EARTH WIRE (M15, M16)		
48	2545638 WIRE HARNESS ASSY. (HPS/OL) (M15, M16)		
49	2545142 WIRE HARNESS ASSY. (COMP.) (M15, M16)		
50	NA EL. COMPO. BOX ASSY. (TERMINAL BLOCK) (M15, M16)		
51	2545657 INSULATION SHEET (M15, M16)		
52	4022185 TERMINAL BLOCK (M15, M16)		
53	2563393 PRINTED CIRCUIT BOARD ASSY. (CT) (M15, M16)		
54	113783J TAPPING SCREW (M15, M16)		

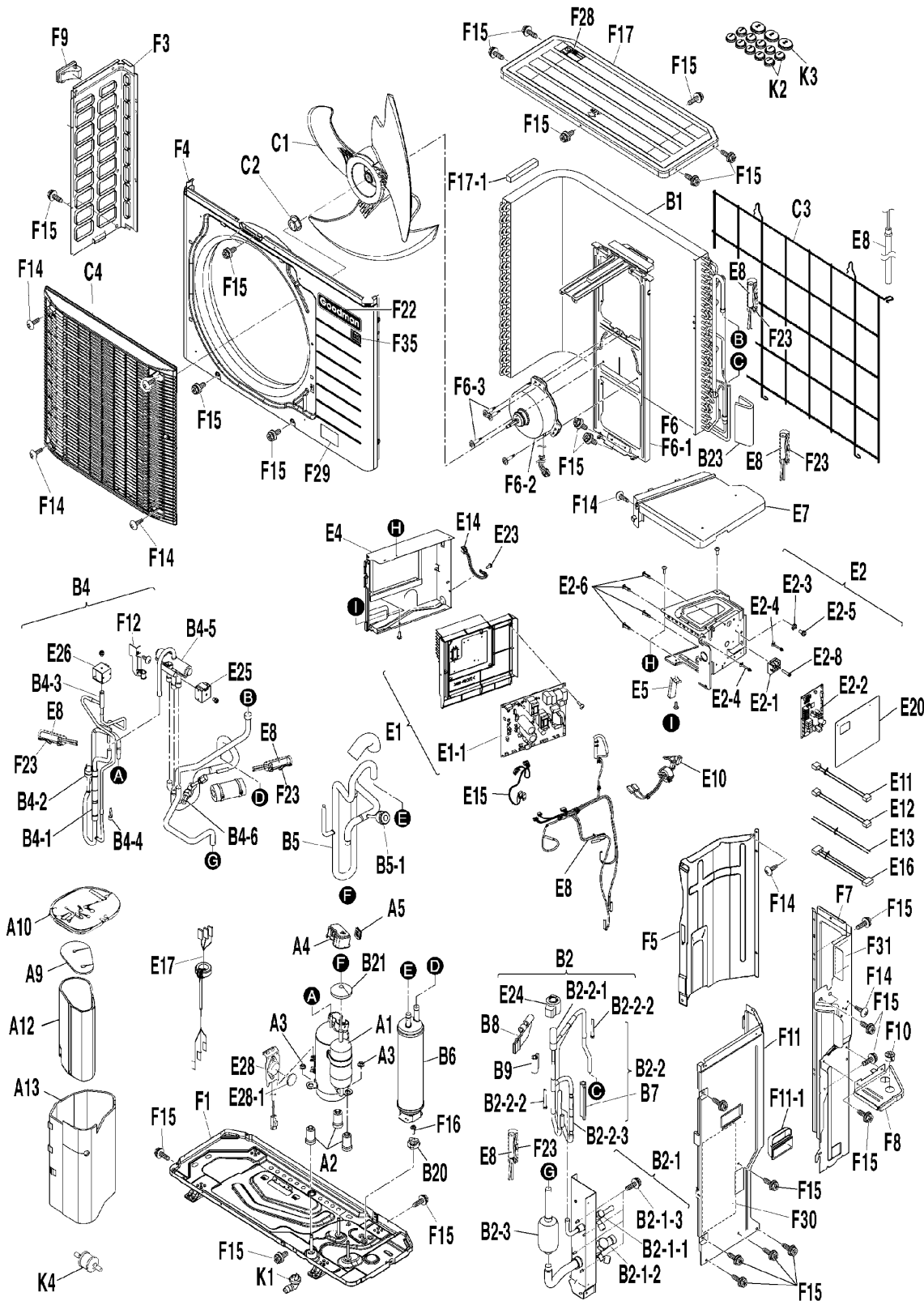
Ref. Part
No: No: Description:

Ref. Part
No: No: Description:

Expanded Model Nomenclature

M1 - GXV6SA1810AA
M2 - GXV6SA2410AA
M3 - GXV6SA3010AA
M4 - GXV6SA3610AA
M5 - GXV6SS1810AA
M6 - GXV6SS2410AA
M7 - GXV6SS3010AA
M8 - GXV6SS3610AA
M9 - GXV6SS4210AA
M10 - GXV6SS4810AA
M11 - GXV6SS6010AA
M12 - GXV9SA2410AA
M13 - GXV9SA3610AA
M14 - GXV9SA4810AA
M15 - GZV6SA1810AA
M16 - GZV6SA2410AA
M17 - GZV6SA3010AA
M18 - GZV6SA3610AA
M19 - GZV6SA4210AA
M20 - GZV6SA4810AA
M21 - GZV6SA6010AA
M22 - GZV7SA2410AA
M23 - GZV7SA3610AA
M24 - GZV7SA4210AA
M25 - GZV7SA4810AA

GZV6SA3010AA/AB



Picture Key	
Ref #	Picture #
1	A1
2	A10
3	A12
4	A13
5	A2
6	A3
7	A4
8	A5
9	A9
10	B1
11	B2
12	B20
13	B21
14	B2-1
15	B2-1-1
16	B2-1-2
17	B2-1-3
18	B2-2
19	B2-2-1
20	B2-2-2
21	B2-2-3
22	B23
23	B2-3
24	B4
25	B4-1
26	B4-2
27	B4-3
28	B4-4
29	B4-5
30	B4-6
31	B5
32	B5-1
33	B6
34	B7
35	B8
36	B9
37	C1
38	C2
39	C3
40	C4
41	E1
42	E10
43	E11
44	E1-1
45	E12
46	E13
47	E14
48	E15
49	E16
50	E17
51	E2
52	E20
53	E2-1
54	E2-2
55	E23
56	E2-3
57	E24
58	E2-4
59	E25
60	E2-5
61	E26
62	E2-6
63	E28
64	E2-8
65	E28-1
66	E4
67	E5
68	E7
69	E8
70	F1
71	F10
72	F11
73	F11-1
74	F12
75	F14
76	F15
77	F16
78	F17
79	F17-1
80	F22
81	F23
82	F28
83	F29
84	F3
85	F30
86	F31
87	F35
88	F4
89	F5
90	F6
91	F6-1
92	F6-2
93	F6-3
94	F7
95	F8
96	F9
97	K1
98	K2
99	K3
100	K4

Ref. Part No:	Part No:	Description:	Ref. Part No:	Part No:	Description:
Image 1:			Image 1:		
1	2563426	COMPRESSOR ASSY. (M17)	56	071124J	CUP WASHER (M17)
2	2546974	SOUND INSULATION (OUTER TOP) (M17)	57	2545147	COIL / ELECTRONIC EXP. VALVE (M17)
3	2493747	SOUND INSULATION (INNER BODY) (M17)	58	1233757	LOCKING CARD SPACER (M17)
4	2535322	SOUND INSULATION (OUTER BODY) (M17)	59	2545148	FOUR WAY VALVE COIL (M17)
5	128989J	VIBRATION ABSORBER (M17)	60	119839J	TAPPING SCREW (M17)
6	4010410	WASHER (NUT WITH WASHER) (M17)	61	2534509	COIL/ SOLENOID VALVE (M17)
7	2425597	TERMINAL COVER (M17)	62	1728464	SPACER (PCB) (M17)
8	040139J	RUBBER BUSH/ LEAD WIRE (M17)	63	2428510	OVERLOAD PROTECTOR (M17)
9	2493893	SOUND INSULATION (INNER TOP) (M17)	64	1796234	PAN HEAD TAPPING SCREW (M17)
10	2561808	HEAT EXCHANGER ASSY. (M17)	65	2428527	RADIATION SHEET (M17)
11	NA	STOP VALVE ASSY. (M17)	66	NA	EL. COMPO. BOX ASSY. (1) (M17)
12	380116J	CUSHION RUBBER/ ACCUMULATOR (M17)	67	2561811	STAY (M17)
13	112853J	VIBRATION ISOLATOR PUTTY (M17)	68	2561860	EL. COMPO. BOX COVER ASSY. (M17)
14	NA	STOP VALVE ASSY. (M17)	69	2545146	THERMISTOR ASSY. (M17)
15	2564154	LIQUID STOP VALVE ASSY. (M17)	70	2561813	BOTTOM FRAME ASSY. (M17)
16	2564217	GAS STOP VALVE ASSY. (M17)	71	2494098	WIRING PROTECTION BUSH (M17)
17	109224J	HEX HEAD TAPPING SCREW (M17)	72	2561821	RIGHT SIDE PLATE ASSY. (M17)
18	NA	ELECTRONIC EXP. VALVE ASSY. (M17)	73	2548908	HANDLE ASSY. (M17)
19	2204606	BODY/ ELECTRONIC EXP. VALVE (M17)	74	2535320	PIPING FIXTURE ASSY. (M17)
20	008529J	STRAINER (FOR REF.) (M17)	75	008203J	TRUSS HEAD TAPPING SCREW (M17)
21	151188J	CHECK VALVE (M17)	76	109224J	HEX HEAD TAPPING SCREW (M17)
22	1666085	SOUNDPROOF PUTTY (M17)	77	1821022	TAPPING SCREW (M17)
23	NA	MUFFLER ASSY. (M17)	78	2561822	TOP PLATE ASSY. (M17)
24	NA	FOUR WAY VALVE ASSY. (M17)	79	4015634	CUSHION MATERIAL (HEAT EXCHANGER) (M17)
25	107638J	CHECK VALVE (M17)	80	2563554	BRAND NAME LABEL (M17)
26	2534448	HIGH PRESSURE SWITCH (M17)	81	042396J	FITTING SPRING/ THERMISTOR (M17)
27	2165965	BODY/ SOLENOID VALVE (M17)	82	2564156	LABEL (M17)
28	111167J	STRAINER (M17)	83	4023075	CAUTION LABEL (ROTATING) (M17)
29	2455992	BODY/ FOUR WAY VALVE (M17)	84	2561814	LEFT SIDE PLATE ASSY. (M17)
30	1721122	FUSIBLE PLUG (M17)	85	NA	COLLECTIVE INDICATIONS LABEL (M17)
31	NA	SUCTION PIPE ASSY. (M17)	86	NA	CAUTION LABEL (ELECTRIC SHOCK) (M17)
32	2545134	PRESSURE SENSOR (M17)	87	2563394	LABEL NAME PLATE (R32) (M17)
33	2563392	ACCUMULATOR ASSY. (M17)	88	2561815	FRONT PLATE (M17)
34	2535318	SOUNDPROOF PUTTY (M17)	89	2561816	PARTITION PLATE (M17)
35	2546975	SOUNDPROOF PUTTY (M17)	90	2561824	FAN MOTOR STAND ASSY. (WITH FAN MOTOR) (M17)
36	2535324	SOUNDPROOF PUTTY (M17)	91	2561825	FAN MOTOR STAND ASSY. (M17)
37	2561809	PROPELLER FAN ASSY. (M17)	92	2545649	DC FAN MOTOR (M17)
38	847003J	LOCK NUT/ FAN (M17)	93	2120405	HEX TAPPING SCREW (3) (M17)
39	2425643	PROTECTION NET (M17)	94	2561819	REAR PLATE ASSY. (M17)
40	4022196	DISCHARGE GRILLE ASSY. (M17)	95	2561820	CONDUIT MOUNTING PLATE ASSY. (M17)
41	2564161	EL. COMPO. MOUNTING PLATE ASSY. (M17)	96	4015625	HANDLE (LEFT) (M17)
42	2545140	WIRE HARNESS ASSY. (POWER) (M17)	97	058956J	DRAIN JOINT (M17)
43	2545141	WIRE HARNESS ASSY. (CT POWER) (M17)	98	2253709	CAP 1 (DRAIN) (M17)
44	2559717	PRINTED CIRCUIT BOARD ASSY. (M17)	99	2253716	CAP 2 (DRAIN) (M17)
45	2545635	WIRE HARNESS ASSY. (ACS) (M17)	100	2545851	FILTER DRIER (M17)
46	2545636	WIRE HARNESS ASSY. (COMMUNICATION) (M17)			
47	2545637	EARTH WIRE (M17)			
48	2545638	WIRE HARNESS ASSY. (HPS/OL) (M17)			
49	2545648	WIRE HARNESS ASSY. (FAN MOTOR RELAY) (M17)			
50	2545142	WIRE HARNESS ASSY. (COMP.) (M17)			
51	NA	EL. COMPO. BOX ASSY. (TERMINAL BLOCK) (M17)			
52	2545657	INSULATION SHEET (M17)			
53	4022185	TERMINAL BLOCK (M17)			
54	2563427	PRINTED CIRCUIT BOARD ASSY. (CT) (M17)			
55	113783J	TAPPING SCREW (M17)			

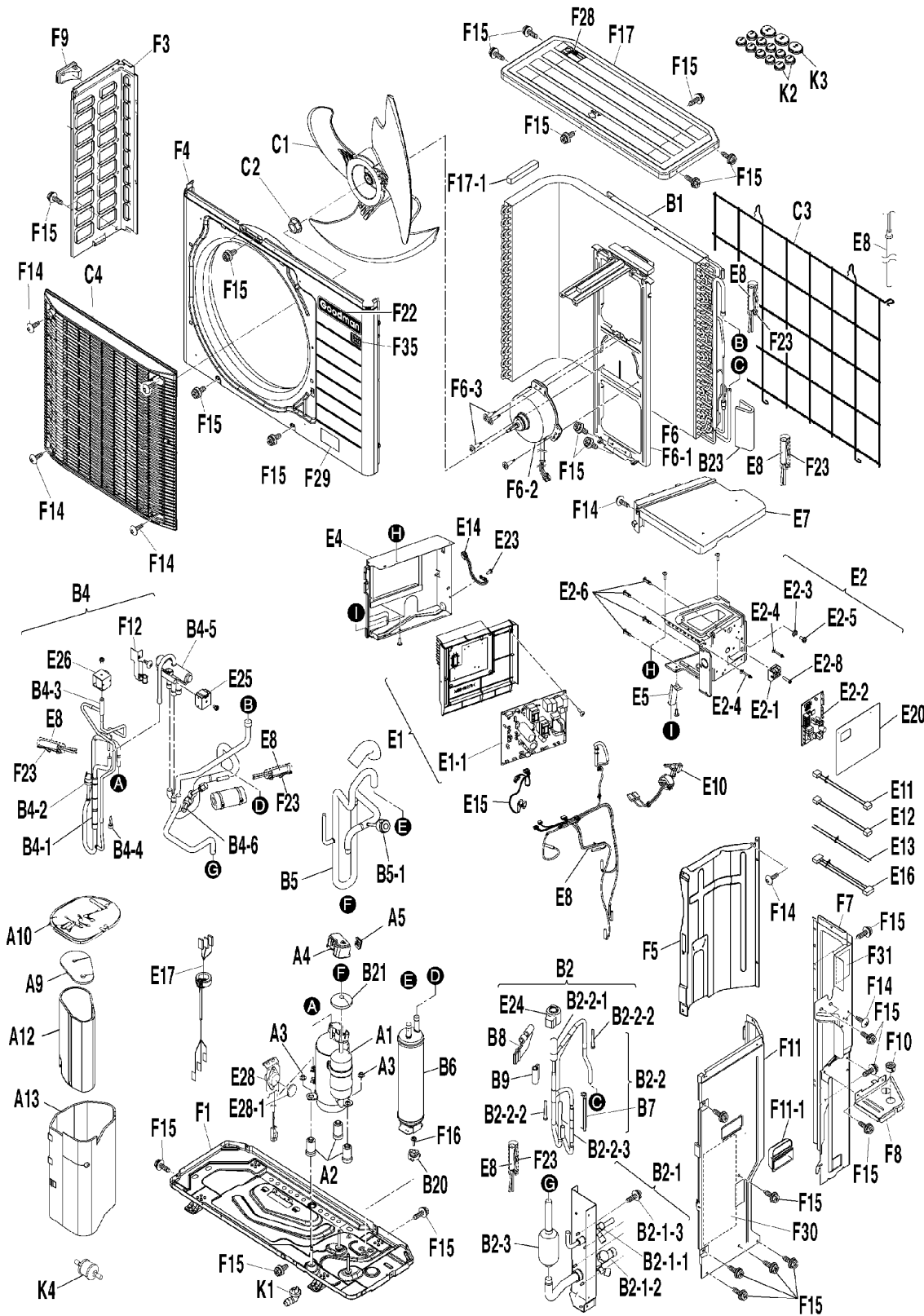
Ref. Part
No: No: Description:

Ref. Part
No: No: Description:

Expanded Model Nomenclature

M1 - GXV6SA1810AA
M2 - GXV6SA2410AA
M3 - GXV6SA3010AA
M4 - GXV6SA3610AA
M5 - GXV6SS1810AA
M6 - GXV6SS2410AA
M7 - GXV6SS3010AA
M8 - GXV6SS3610AA
M9 - GXV6SS4210AA
M10 - GXV6SS4810AA
M11 - GXV6SS6010AA
M12 - GXV9SA2410AA
M13 - GXV9SA3610AA
M14 - GXV9SA4810AA
M15 - GZV6SA1810AA
M16 - GZV6SA2410AA
M17 - GZV6SA3010AA
M18 - GZV6SA3610AA
M19 - GZV6SA4210AA
M20 - GZV6SA4810AA
M21 - GZV6SA6010AA
M22 - GZV7SA2410AA
M23 - GZV7SA3610AA
M24 - GZV7SA4210AA
M25 - GZV7SA4810AA

GZV6SA3610AA/AB



Picture Key	
Ref #	Picture #
1	A1
2	A10
3	A12
4	A13
5	A2
6	A3
7	A4
8	A5
9	A9
10	B1
11	B2
12	B20
13	B21
14	B2-1
15	B2-1-1
16	B2-1-2
17	B2-1-3
18	B2-2
19	B2-2-1
20	B2-2-2
21	B2-2-3
22	B23
23	B2-3
24	B4
25	B4-1
26	B4-2
27	B4-3
28	B4-4
29	B4-5
30	B4-6
31	B5
32	B5-1
33	B6
34	B7
35	B8
36	B9
37	C1
38	C2
39	C3
40	C4
41	E1
42	E10
43	E11
44	E1-1
45	E1-2
46	E1-3
47	E1-4
48	E1-5
49	E1-6
50	E1-7
51	E2
52	E20
53	E2-1
54	E2-2
55	E2-3
56	E2-3
57	E2-4
58	E2-4
59	E2-5
60	E2-5
61	E2-6
62	E2-6
63	E2-8
64	E2-8
65	E28-1
66	E4
67	E5
68	E7
69	E8
70	F1
71	F10
72	F11
73	F11-1
74	F12
75	F14
76	F15
77	F16
78	F17
79	F17-1
80	F22
81	F23
82	F28
83	F29
84	F3
85	F30
86	F31
87	F35
88	F4
89	F5
90	F6
91	F6-1
92	F6-2
93	F6-3
94	F7
95	F8
96	F9
97	K1
98	K2
99	K3
100	K4

Ref. Part No: No:	Description:	Ref. Part No: No:	Description:
Image 1:		Image 1:	
1	2563426 COMPRESSOR ASSY. (M18)	56	071124J CUP WASHER (M18)
2	2546974 SOUND INSULATION (OUTER TOP) (M18)	57	2545147 COIL / ELECTRONIC EXP. VALVE (M18)
3	2493747 SOUND INSULATION (INNER BODY) (M18)	58	1233757 LOCKING CARD SPACER (M18)
4	2535322 SOUND INSULATION (OUTER BODY) (M18)	59	2545148 FOUR WAY VALVE COIL (M18)
5	128989J VIBRATION ABSORBER (M18)	60	119839J TAPPING SCREW (M18)
6	4010410 WASHER (NUT WITH WASHER) (M18)	61	2534509 COIL/ SOLENOID VALVE (M18)
7	2425597 TERMINAL COVER (M18)	62	1728464 SPACER (PCB) (M18)
8	040139J RUBBER BUSH/ LEAD WIRE (M18)	63	2428510 OVERLOAD PROTECTOR (M18)
9	2493893 SOUND INSULATION (INNER TOP) (M18)	64	1796234 PAN HEAD TAPPING SCREW (M18)
10	2561826 HEAT EXCHANGER ASSY. (M18)	65	2428527 RADIATION SHEET (M18)
11	NA STOP VALVE ASSY. (M18)	66	NA EL. COMPO. BOX ASSY. (1) (M18)
12	380116J CUSHION RUBBER/ ACCUMULATOR (M18)	67	2561811 STAY (M18)
13	112853J VIBRATION ISOLATOR PUTTY (M18)	68	2561860 EL. COMPO. BOX COVER ASSY. (M18)
14	NA STOP VALVE ASSY. (M18)	69	2545146 THERMISTOR ASSY. (M18)
15	2564154 LIQUID STOP VALVE ASSY. (M18)	70	2561813 BOTTOM FRAME ASSY. (M18)
16	2564217 GAS STOP VALVE ASSY. (M18)	71	2494098 WIRING PROTECTION BUSH (M18)
17	109224J HEX. HEAD TAPPING SCREW (M18)	72	2561821 RIGHT SIDE PLATE ASSY. (M18)
18	NA ELECTRONIC EXP. VALVE ASSY. (M18)	73	2548908 HANDLE ASSY. (M18)
19	2204606 BODY/ ELECTRONIC EXP. VALVE (M18)	74	2535320 PIPING FIXTURE ASSY. (M18)
20	008529J STRAINER (FOR REF.) (M18)	75	008203J TRUSS HEAD TAPPING SCREW (M18)
21	151188J CHECK VALVE (M18)	76	109224J HEX. HEAD TAPPING SCREW (M18)
22	1666085 SOUNDPROOF PUTTY (M18)	77	1821022 TAPPING SCREW (M18)
23	NA MUFFLER ASSY. (M18)	78	2561822 TOP PLATE ASSY. (M18)
24	NA FOUR WAY VALVE ASSY. (M18)	79	4015634 CUSHION MATERIAL (HEAT EXCHANGER) (M18)
25	107638J CHECK VALVE (M18)	80	2563554 BRAND NAME LABEL (M18)
26	2534448 HIGH PRESSURE SWITCH (M18)	81	042396J FITTING SPRING/ THERMISTOR (M18)
27	2165965 BODY/ SOLENOID VALVE (M18)	82	2564156 LABEL (M18)
28	111167J STRAINER (M18)	83	4023075 CAUTION LABEL (ROTATING) (M18)
29	2455992 BODY/ FOUR WAY VALVE (M18)	84	2561814 LEFT SIDE PLATE ASSY. (M18)
30	1721122 FUSIBLE PLUG (M18)	85	NA COLLECTIVE INDICATIONS LABEL (M18)
31	NA SUCTION PIPE ASSY. (M18)	86	NA CAUTION LABEL (ELECTRIC SHOCK) (M18)
32	2545134 PRESSURE SENSOR (M18)	87	2563394 LABEL NAME PLATE (R32) (M18)
33	2563392 ACCUMULATOR ASSY. (M18)	88	2561815 FRONT PLATE (M18)
34	2535318 SOUNDPROOF PUTTY (M18)	89	2561816 PARTITION PLATE (M18)
35	2546975 SOUNDPROOF PUTTY (M18)	90	2561827 FAN MOTOR STAND ASSY. (WITH FAN MOTOR) (M18)
36	2535324 SOUNDPROOF PUTTY (M18)	91	2561828 FAN MOTOR STAND ASSY. (M18)
37	2561809 PROPELLER FAN ASSY. (M18)	92	2545649 DC FAN MOTOR (M18)
38	847003J LOCK NUT/ FAN (M18)	93	2120405 HEX. TAPPING SCREW (3) (M18)
39	2425643 PROTECTION NET (M18)	94	2561819 REAR PLATE ASSY. (M18)
40	4022196 DISCHARGE GRILLE ASSY. (M18)	95	2561820 CONDUIT MOUNTING PLATE ASSY. (M18)
41	2564161 EL. COMPO. MOUNTING PLATE ASSY. (M18)	96	4015625 HANDLE (LEFT) (M18)
42	2545140 WIRE HARNESS ASSY. (POWER) (M18)	97	058956J DRAIN JOINT (M18)
43	2545141 WIRE HARNESS ASSY. (CT POWER) (M18)	98	2253709 CAP 1 (DRAIN) (M18)
44	2559717 PRINTED CIRCUIT BOARD ASSY. (M18)	99	2253716 CAP 2 (DRAIN) (M18)
45	2545635 WIRE HARNESS ASSY. (ACS) (M18)	100	2545851 FILTER DRIER (M18)
46	2545636 WIRE HARNESS ASSY. (COMMUNICATION) (M18)		
47	2545637 EARTH WIRE (M18)		
48	2545638 WIRE HARNESS ASSY. (HPS/OL) (M18)		
49	2545648 WIRE HARNESS ASSY. (FAN MOTOR RELAY) (M18)		
50	2545142 WIRE HARNESS ASSY. (COMP.) (M18)		
51	NA EL. COMPO. BOX ASSY. (TERMINAL BLOCK) (M18)		
52	2545657 INSULATION SHEET (M18)		
53	4022185 TERMINAL BLOCK (M18)		
54	2563427 PRINTED CIRCUIT BOARD ASSY. (CT) (M18)		
55	113783J TAPPING SCREW (M18)		

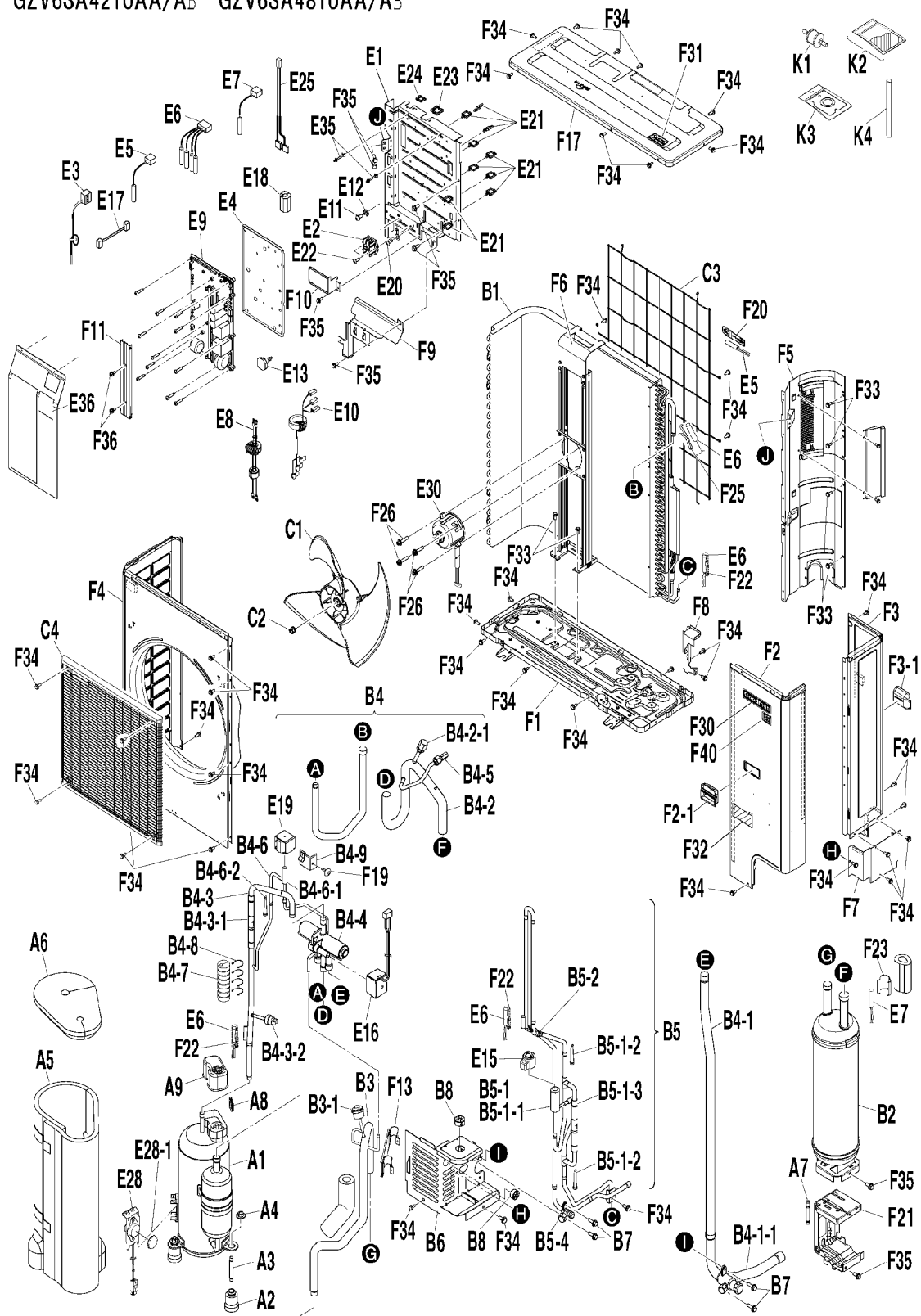
Ref. Part
No: No: Description:

Ref. Part
No: No: Description:

Expanded Model Nomenclature

M1 - GXV6SA1810AA
M2 - GXV6SA2410AA
M3 - GXV6SA3010AA
M4 - GXV6SA3610AA
M5 - GXV6SS1810AA
M6 - GXV6SS2410AA
M7 - GXV6SS3010AA
M8 - GXV6SS3610AA
M9 - GXV6SS4210AA
M10 - GXV6SS4810AA
M11 - GXV6SS6010AA
M12 - GXV9SA2410AA
M13 - GXV9SA3610AA
M14 - GXV9SA4810AA
M15 - GZV6SA1810AA
M16 - GZV6SA2410AA
M17 - GZV6SA3010AA
M18 - GZV6SA3610AA
M19 - GZV6SA4210AA
M20 - GZV6SA4810AA
M21 - GZV6SA6010AA
M22 - GZV7SA2410AA
M23 - GZV7SA3610AA
M24 - GZV7SA4210AA
M25 - GZV7SA4810AA

GZV6SA4210AA/AB GZV6SA4810AA/AB



Picture Key

Ref #	Picture #
1	A1
2	A2
3	A3
4	A4
5	A5
6	A6
7	A7
8	A8
9	A9
10	B1
11	B2
12	B3
13	B3-1
14	B4
15	B4-1
16	B4-1-1
17	B4-2
18	B4-2-1
19	B4-3
20	B4-3-1
21	B4-3-2
22	B4-4
23	B4-5
24	B4-6
25	B4-6-1
26	B4-6-2
27	B4-7
28	B4-8
29	B4-9
30	B5
31	B5-1
32	B5-1-1
33	B5-1-2
34	B5-1-3
35	B5-2
36	B5-4
37	B6
38	B7
39	B8
40	C1
41	C2
42	C3
43	C4
44	E1
45	E10
46	E11
47	E12
48	E13
49	E15
50	E16
51	E17
52	E18
53	E19
54	E2
55	E20
56	E21
57	E22
58	E23
59	E24
60	E25
61	E28
62	E28-1
63	E3
64	E30
65	E35
66	E36
67	E4
68	E5
69	E6
70	E7
71	E8
72	E9
73	F1
74	F10
75	F11
76	F13
77	F17
78	F19
79	F2
80	F20
81	F21
82	F2-1
83	F22
84	F23
85	F25
86	F26
87	F3
88	F30
89	F31
90	F3-1
91	F32
92	F33
93	F34
94	F35
95	F36
96	F4
97	F40
98	F5
99	F6
100	F7
101	F8
102	F9
103	K1
104	K2
105	K3
106	K4

Ref. Part No: No:	Description:	Ref. Part No: No:	Description:
Image 1:		Image 1:	
1	2563519 COMPRESSOR ASSY. (M19, M20)	56	352004 WIRE CLIP (M19, M20)
2	2561829 RUBBER VIBRATION ISOLATOR (M19, M20)	57	827920J TAPPING SCREW (M19, M20)
3	2119809 COMPRESSOR MOUNTING BOLT (M19, M20)	58	099951J EDGE SADDLE (M19, M20)
4	4010410 WASHER (NUT WITH WASHER) (M19, M20)	59	094708J EDGE SADDLE (M19, M20)
5	2493918 COMPRESSOR SOUNDPROOF (M19, M20)	60	2534508 WIRE HARNESS ASSY. (HPS) (M19, M20)
6	4024830 SOUND ABSORBING MATERIAL (M19, M20)	61	2433017 RETAINER ASSY. (M19, M20)
7	076850J SET BOLT/ COMPRESSOR (M19, M20)	62	2428527 RADIATION SHEET (M19, M20)
8	040139J RUBBER BUSH/ LEAD WIRE (M19, M20)	63	2425768 WIRE HARNESS ASSY. (FOR COMMUNICATION) (M19, M20)
9	2425597 TERMINAL COVER (M19, M20)		
10	2563532 HEAT EXCHANGER ASSY. (M19, M20)	64	2561833 DC FAN MOTOR (M19, M20)
11	2563521 ACCUMULATOR ASSY. (M19, M20)	65	1233757 LOCKING CARD SPACER (M19, M20)
12	NA SUCTION PIPE ASSY. (M19, M20)	66	NA CAUTION LABEL (ELECTRIC SHOCK) (M19, M20)
13	4022182 PRESSURE SENSOR (M19, M20)	67	2534582 INSULATION SHEET (M19, M20)
14	NA FOUR WAY VALVE ASSY. (M19, M20)	68	2425775 THERMISTOR (AIR) (M19, M20)
15	NA GAS STOP VALVE ASSY. (M19, M20)	69	2493932 THERMISTOR ASSY. (M19, M20)
16	4022880 STOP VALVE (M19, M20)	70	2425799 THERMISTOR (SUCTION) (M19, M20)
17	NA SUCTION PIPE ASSY. (1) (M19, M20)	71	2493949 WIRE HARNESS ASSY. (POWER) (M19, M20)
18	094867J SERVICING PORT ASSY. (M19, M20)	72	2563533 PRINTED CIRCUIT BOARD ASSY. (M19, M20)
19	NA DISCHARGE PIPE ASSY. (M19, M20)	73	2564212 BOTTOM FRAME ASSY. (M19, M20)
20	107638J CHECK VALVE (M19, M20)	74	2561843 SHIELD PLATE (TERMINAL BLOCK) (M19, M20)
21	2534448 HIGH PRESSURE SWITCH (M19, M20)	75	2561844 COVER (M19, M20)
22	1858062 BODY/ FOUR WAY VALVE (M19, M20)	76	2535327 PIPING FIXTURE ASSY. (M19, M20)
23	1721122 FUSIBLE PLUG (M19, M20)	77	2561855 TOP PLATE ASSY. (M19, M20)
24	NA REFRIGERANT PIPE ASSY. (HOT GAS) (M19, M20)	78	NA HEAD MACHINE SCREW (M19, M20)
25	2165965 BODY/ SOLENOID VALVE (M19, M20)	79	2561835 FRONT PLATE ASSY. (M19, M20)
26	111167J STRAINER (M19, M20)	80	157132J THERMISTOR FIXING PLATE (M19, M20)
27	980752J PIPING WEIGHT (M19, M20)	81	2561846 MOUNTING PLATE (M19, M20)
28	980761J WEIGHT CLIP (M19, M20)	82	092045J HANDLE (M19, M20)
29	2535326 PIPING FIXTURE ASSY. (M19, M20)	83	042396J FITTING SPRING/ THERMISTOR (M19, M20)
30	NA ELECTRONIC EXP. VALVE ASSY. (M19, M20)	84	2031411 FEELER BULB CLAMP (M19, M20)
31	NA ELECTRONIC EXP. VALVE ASSY. (2) (M19, M20)	85	007432J RETAINER/ THERMISTOR CLAMP (M19, M20)
32	2204606 BODY/ ELECTRONIC EXP. VALVE (M19, M20)	86	2120405 HEX TAPPING SCREW (3) (M19, M20)
33	008529J STRAINER (FOR REF.) (M19, M20)	87	2561836 RIGHT SIDE PLATE (M19, M20)
34	038621J CHECK VALVE (M19, M20)	88	2563554 BRAND NAME LABEL (M19, M20)
35	2433132 PIPING FIXTURE (M19, M20)	89	2564156 LABEL (M19, M20)
36	2494649 LIQUID STOP VALVE ASSY. (M19, M20)	90	092045J HANDLE (M19, M20)
37	2561831 STOP VALVE MOUNTING PLATE (M19, M20)	91	4023075 CAUTION LABEL (ROTATING) (M19, M20)
38	162753J SCREW/ C TIGHT CUP (M19, M20)	92	1905191 HEX HEAD TAPPING (M19, M20)
39	2494098 WIRING PROTECTION BUSH (M19, M20)	93	049594J HEX HEAD TAPPING SCREW (M19, M20)
40	2561832 PROPELLER FAN (M19, M20)	94	131453J TRUSS HEAD TAPPING SCREW (M19, M20)
41	847003J LOCK NUT/ FAN (M19, M20)	95	4016867 HEX BOLT (M19, M20)
42	2425744 SUCTION GRILLE ASSY. (M19, M20)	96	2561854 FRONT PLATE ASSY. (M19, M20)
43	2545655 DISCHARGE GRILLE ASSY. (M19, M20)	97	2563394 LABEL NAME PLATE (R32) (M19, M20)
44	2546825 EL. COMPO. MOUNTING PLATE (M19, M20)	98	2561838 PARTITION PLATE ASSY. (M19, M20)
45	2545654 WIRE HARNESS ASSY. (COMP.) (M19, M20)	99	2561839 FAN MOTOR STAND ASSY. (M19, M20)
46	119839J TAPPING SCREW (M19, M20)	100	2561840 COVER (SIDE) (M19, M20)
47	071124J CUP WASHER (M19, M20)	101	2561841 REAR COVER (M19, M20)
48	2494687 RIVET (M19, M20)	102	2561842 MOUNTING PLATE (FIELD WIRING) (M19, M20)
49	2493956 COIL/ ELECTRONIC EXP. VALVE (M19, M20)	103	2545851 FILTER DRIER (M19, M20)
50	2493855 COIL/ FOUR WAY VALVE (M19, M20)	104	2494067 GREASE ASSY. (M19, M20)
51	2493963 WIRE HARNESS ASSY. (PCB-OL CONNECTION) (M19, M20)	105	2561847 PATCH PLATE ASSY. (M19, M20)
		106	2223506 ELECTRIC INSULATION (M19, M20)
52	5009491 FERRITE CORE (M19, M20)		
53	2534509 COIL/ SOLENOID VALVE (M19, M20)		
54	2425751 TERMINAL BLOCK (M19, M20)		
55	113783J TAPPING SCREW (M19, M20)		

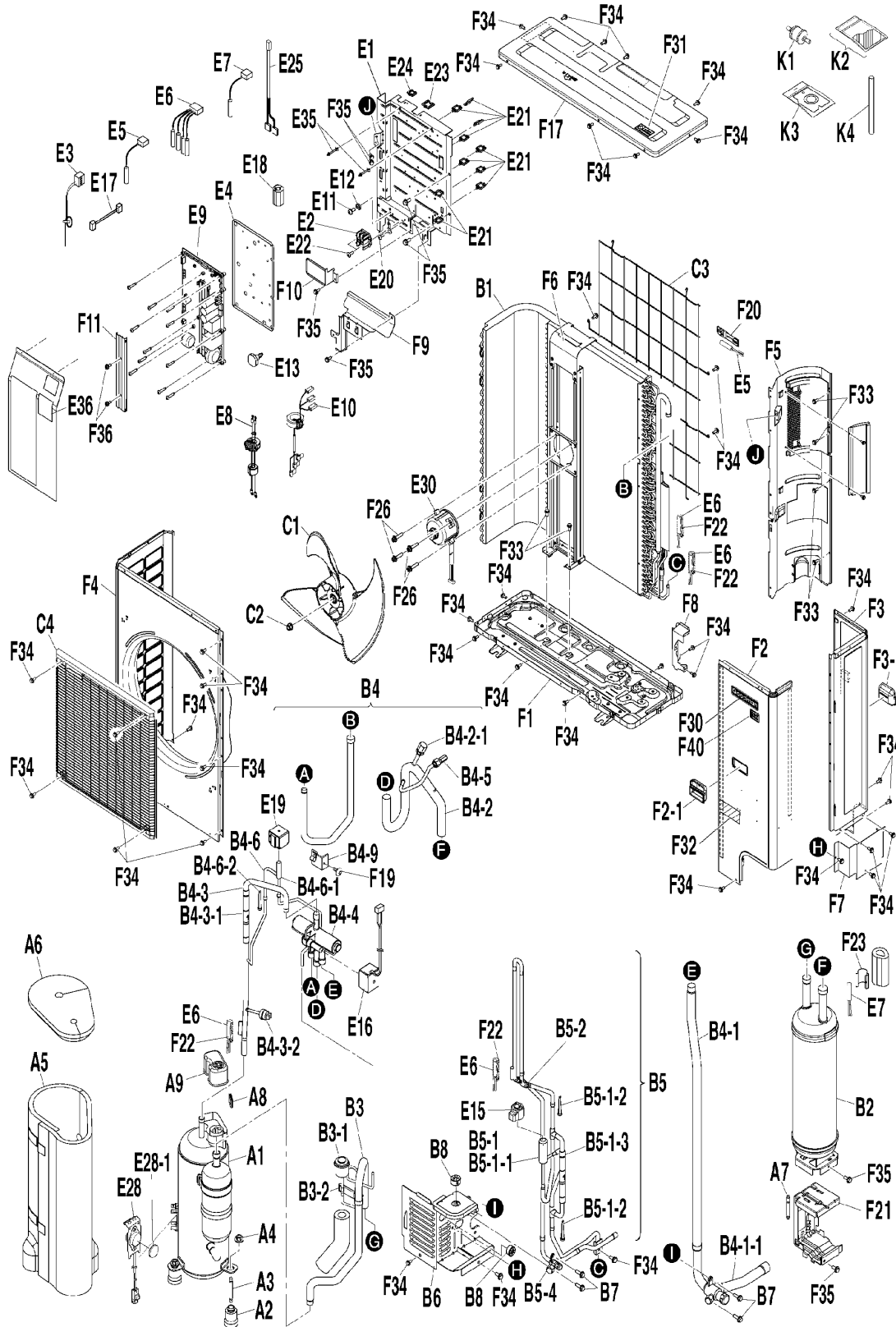
Ref. Part
No: No: Description:

Ref. Part
No: No: Description:

Expanded Model Nomenclature

M1 - GXV6SA1810AA
M2 - GXV6SA2410AA
M3 - GXV6SA3010AA
M4 - GXV6SA3610AA
M5 - GXV6SS1810AA
M6 - GXV6SS2410AA
M7 - GXV6SS3010AA
M8 - GXV6SS3610AA
M9 - GXV6SS4210AA
M10 - GXV6SS4810AA
M11 - GXV6SS6010AA
M12 - GXV9SA2410AA
M13 - GXV9SA3610AA
M14 - GXV9SA4810AA
M15 - GZV6SA1810AA
M16 - GZV6SA2410AA
M17 - GZV6SA3010AA
M18 - GZV6SA3610AA
M19 - GZV6SA4210AA
M20 - GZV6SA4810AA
M21 - GZV6SA6010AA
M22 - GZV7SA2410AA
M23 - GZV7SA3610AA
M24 - GZV7SA4210AA
M25 - GZV7SA4810AA

GZV6SA6010AA/AB



Picture Key	
Ref #	Picture #
1	A1
2	A2
3	A3
4	A4
5	A5
6	A6
7	A7
8	A8
9	A9
10	B1
11	B2
12	B3
13	B3-1
14	B3-2
15	B4
16	B4-1
17	B4-1-1
18	B4-2
19	B4-2-1
20	B4-3
21	B4-3-1
22	B4-3-2
23	B4-4
24	B4-5
25	B4-6
26	B4-6-1
27	B4-6-2
28	B4-9
29	B5
30	B5-1
31	B5-1-1
32	B5-1-2
33	B5-1-3
34	B5-2
35	B5-4
36	B6
37	B7
38	B8
39	C1
40	C2
41	C3
42	C4
43	E1
44	E10
45	E11
46	E12
47	E13
48	E15
49	E16
50	E17
51	E18
52	E19
53	E2
54	E20
55	E21
56	E22
57	E23
58	E24
59	E25
60	E28
61	E28-1
62	E3
63	E30
64	E35
65	E36
66	E4
67	E5
68	E6
69	E7
70	E8
71	E9
72	F1
73	F10
74	F11
75	F17
76	F19
77	F2
78	F20
79	F21
80	F2-1
81	F22
82	F23
83	F26
84	F3
85	F30
86	F31
87	F3-1
88	F32
89	F33
90	F34
91	F35
92	F36
93	F4
94	F40
95	F5
96	F6
97	F7
98	F8
99	F9
100	K1
101	K2
102	K3
103	K4

Ref. Part No: No:	Description:	Ref. Part No: No:	Description:
Image 1:		Image 1:	
1	2563525 COMPRESSOR ASSY. (M21)	56	827920J TAPPING SCREW (M21)
2	2561829 RUBBER VIBRATION ISOLATOR (M21)	57	099951J EDGE SADDLE (M21)
3	2119809 COMPRESSOR MOUNTING BOLT (M21)	58	094708J EDGE SADDLE (M21)
4	4010410 WASHER (NUT WITH WASHER) (M21)	59	2534508 WIRE HARNESS ASSY. (HPS) (M21)
5	2493918 COMPRESSOR SOUNDPROOF (M21)	60	2433017 RETAINER ASSY. (M21)
6	4024830 SOUND ABSORBING MATERIAL (M21)	61	2428527 RADIATION SHEET (M21)
7	076850J SET BOLT/ COMPRESSOR (M21)	62	2425768 WIRE HARNESS ASSY. (FOR COMMUNICATION) (M21)
8	040139J RUBBER BUSH/ LEAD WIRE (M21)	63	2561833 DC FAN MOTOR (M21)
9	2425597 TERMINAL COVER (M21)	64	1233757 LOCKING CARD SPACER (M21)
10	2563548 HEAT EXCHANGER ASSY. (M21)	65	NA CAUTION LABEL (ELECTRIC SHOCK) (M21)
11	2563521 ACCUMULATOR ASSY. (M21)	66	2534582 INSULATION SHEET (M21)
12	NA SUCTION PIPE ASSY. (M21)	67	2425775 THERMISTOR (AIR) (M21)
13	4022182 PRESSURE SENSOR (M21)	68	2493932 THERMISTOR ASSY. (M21)
14	2535329 PIPING FIXTURE ASSY. (M21)	69	2425799 THERMISTOR (SUCTION) (M21)
15	NA FOUR WAY VALVE ASSY. (M21)	70	2493949 WIRE HARNESS ASSY. (POWER) (M21)
16	NA GAS STOP VALVE ASSY. (M21)	71	2563549 PRINTED CIRCUIT BOARD ASSY. (M21)
17	4022880 STOP VALVE (M21)	72	2564212 BOTTOM FRAME ASSY. (M21)
18	NA SUCTION PIPE ASSY. (1) (M21)	73	2561843 SHIELD PLATE (TERMINAL BLOCK) (M21)
19	094867J SERVICING PORT ASSY. (M21)	74	2561844 COVER (M21)
20	NA DISCHARGE PIPE ASSY. (M21)	75	2561855 TOP PLATE ASSY. (M21)
21	107638J CHECK VALVE (M21)	76	NA HEAD MACHINE SCREW (M21)
22	2534448 HIGH PRESSURE SWITCH (M21)	77	2561835 FRONT PLATE ASSY. (M21)
23	1858062 BODY/ FOUR WAY VALVE (M21)	78	157132J THERMISTOR FIXING PLATE (M21)
24	1721122 FUSIBLE PLUG (M21)	79	2561846 MOUNTING PLATE (M21)
25	NA REFRIGERANT PIPE ASSY. (HOT GAS) (M21)	80	092045J HANDLE (M21)
26	2165965 BODY/ SOLENOID VALVE (M21)	81	042396J FITTING SPRING/ THERMISTOR (M21)
27	111167J STRAINER (M21)	82	2031411 FEELER BULB CLAMP (M21)
28	2535326 PIPING FIXTURE ASSY. (M21)	83	2120405 HEX TAPPING SCREW (3) (M21)
29	NA ELECTRONIC EXP. VALVE ASSY. (M21)	84	2561836 RIGHT SIDE PLATE (M21)
30	NA ELECTRONIC EXP. VALVE ASSY. (2) (M21)	85	2563554 BRAND NAME LABEL (M21)
31	2204606 BODY/ ELECTRONIC EXP. VALVE (M21)	86	2564156 LABEL (M21)
32	008529J STRAINER (FOR REF.) (M21)	87	092045J HANDLE (M21)
33	038621J CHECK VALVE (M21)	88	4023075 CAUTION LABEL (ROTATING) (M21)
34	2433132 PIPING FIXTURE (M21)	89	1905191 HEX HEAD TAPPING (M21)
35	2494649 LIQUID STOP VALVE ASSY. (M21)	90	049594J HEX HEAD TAPPING SCREW (M21)
36	2561831 STOP VALVE MOUNTING PLATE (M21)	91	131453J TRUSS HEAD TAPPING SCREW (M21)
37	162753J SCREW/ C TIGHT CUP (M21)	92	4016867 HEX BOLT (M21)
38	2494098 WIRING PROTECTION BUSH (M21)	93	2561854 FRONT PLATE ASSY. (M21)
39	2561832 PROPELLER FAN (M21)	94	2563394 LABEL NAME PLATE (R32) (M21)
40	847003J LOCK NUT/ FAN (M21)	95	2561838 PARTITION PLATE ASSY. (M21)
41	2425744 SUCTION GRILLE ASSY. (M21)	96	2561849 FAN MOTOR STAND ASSY. (M21)
42	2545655 DISCHARGE GRILLE ASSY. (M21)	97	2561840 COVER (SIDE) (M21)
43	2546825 EL. COMPO. MOUNTING PLATE (M21)	98	2561841 REAR COVER (M21)
44	2545654 WIRE HARNESS ASSY. (COMP.) (M21)	99	2561842 MOUNTING PLATE (FIELD WIRING) (M21)
45	119839J TAPPING SCREW (M21)	100	2545851 FILTER DRIER (M21)
46	071124J CUP WASHER (M21)	101	2494067 GREASE ASSY. (M21)
47	2494687 RIVET (M21)	102	2561847 PATCH PLATE ASSY. (M21)
48	2493956 COIL/ ELECTRONIC EXP. VALVE (M21)	103	2223506 ELECTRIC INSULATION (M21)
49	2493855 COIL/ FOUR WAY VALVE (M21)		
50	2493963 WIRE HARNESS ASSY. (PCB-OL CONNECTION) (M21)		
51	5009491 FERRITE CORE (M21)		
52	2534509 COIL/ SOLENOID VALVE (M21)		
53	2425751 TERMINAL BLOCK (M21)		
54	113783J TAPPING SCREW (M21)		
55	352004 WIRE CLIP (M21)		

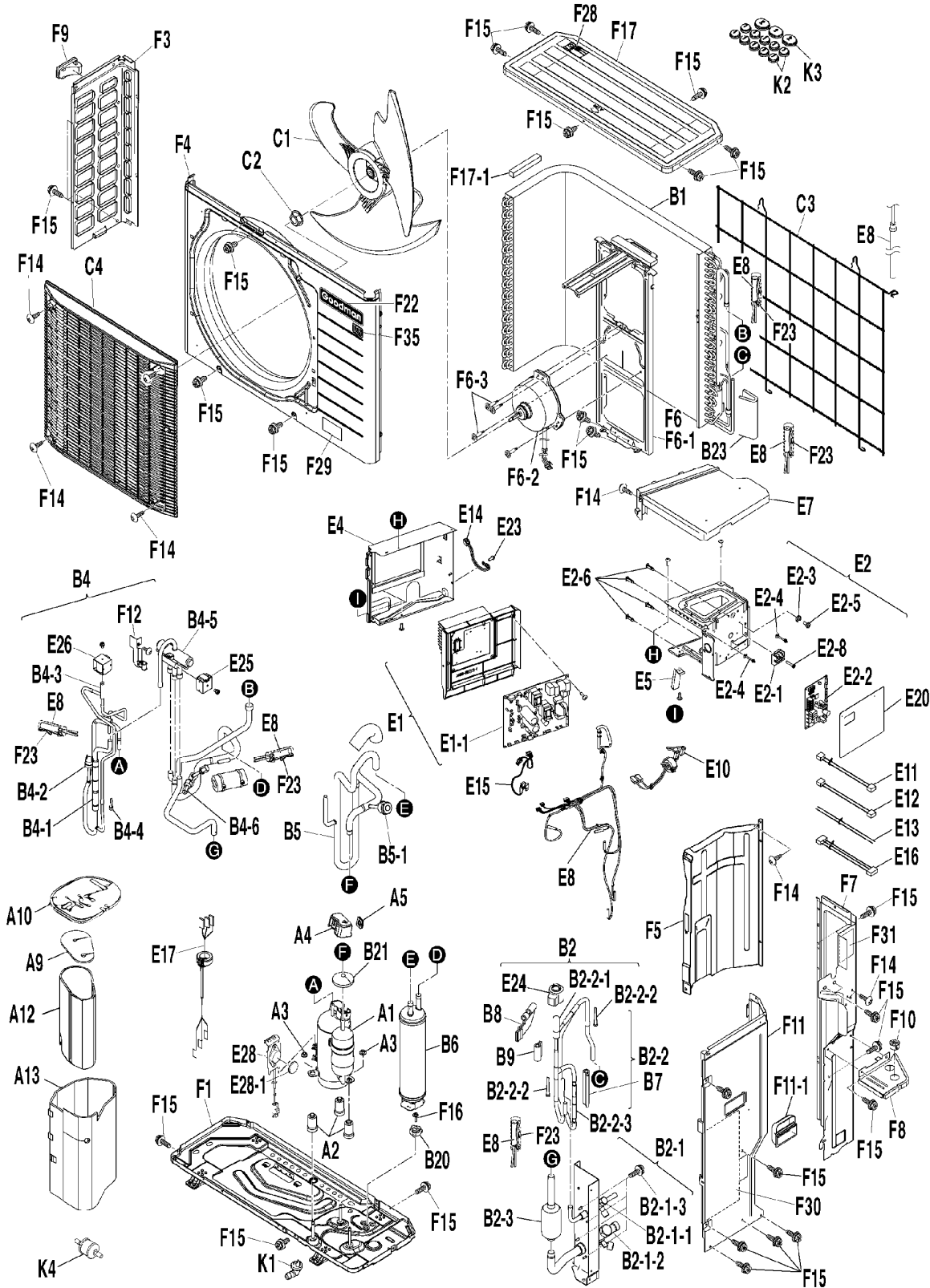
Ref. Part
No: No: Description:

Ref. Part
No: No: Description:

Expanded Model Nomenclature

M1 - GXV6SA1810AA
M2 - GXV6SA2410AA
M3 - GXV6SA3010AA
M4 - GXV6SA3610AA
M5 - GXV6SS1810AA
M6 - GXV6SS2410AA
M7 - GXV6SS3010AA
M8 - GXV6SS3610AA
M9 - GXV6SS4210AA
M10 - GXV6SS4810AA
M11 - GXV6SS6010AA
M12 - GXV9SA2410AA
M13 - GXV9SA3610AA
M14 - GXV9SA4810AA
M15 - GZV6SA1810AA
M16 - GZV6SA2410AA
M17 - GZV6SA3010AA
M18 - GZV6SA3610AA
M19 - GZV6SA4210AA
M20 - GZV6SA4810AA
M21 - GZV6SA6010AA
M22 - GZV7SA2410AA
M23 - GZV7SA3610AA
M24 - GZV7SA4210AA
M25 - GZV7SA4810AA

GZV7SA2410AA/AB



Picture Key

Ref #	Picture #
1	A1
2	A10
3	A12
4	A13
5	A2
6	A3
7	A4
8	A5
9	A9
10	B1
11	B2
12	B20
13	B21
14	B2-1
15	B2-1-1
16	B2-1-2
17	B2-1-3
18	B2-2
19	B2-2-1
20	B2-2-2
21	B2-2-3
22	B23
23	B2-3
24	B4
25	B4-1
26	B4-2
27	B4-3
28	B4-4
29	B4-5
30	B4-6
31	B5
32	B5-1
33	B6
34	B7
35	B8
36	B9
37	C1
38	C2
39	C3
40	C4
41	E1
42	E10
43	E11
44	E1-1
45	E12
46	E13
47	E14
48	E15
49	E16
50	E17
51	E2
52	E20
53	E2-1
54	E2-2
55	E23
56	E2-3
57	E24
58	E2-4
59	E25
60	E2-5
61	E26
62	E2-6
63	E28
64	E2-8
65	E28-1
66	E4
67	E5
68	E7
69	E8
70	F1
71	F10
72	F11
73	F11-1
74	F12
75	F14
76	F15
77	F16
78	F17
79	F17-1
80	F22
81	F23
82	F28
83	F29
84	F3
85	F30
86	F31
87	F35
88	F4
89	F5
90	F6
91	F6-1
92	F6-2
93	F6-3
94	F7
95	F8
96	F9
97	K1
98	K2
99	K3
100	K4

Ref. Part No: No:	Description:	Ref. Part No: No:	Description:
Image 1:		Image 1:	
1	2563426 COMPRESSOR ASSY. (M22)	56	071124J CUP WASHER (M22)
2	2546974 SOUND INSULATION (OUTER TOP) (M22)	57	2545147 COIL / ELECTRONIC EXP. VALVE (M22)
3	2493747 SOUND INSULATION (INNER BODY) (M22)	58	1233757 LOCKING CARD SPACER (M22)
4	2535322 SOUND INSULATION (OUTER BODY) (M22)	59	2545148 FOUR WAY VALVE COIL (M22)
5	128989J VIBRATION ABSORBER (M22)	60	119839J TAPPING SCREW (M22)
6	4010410 WASHER (NUT WITH WASHER) (M22)	61	2534509 COIL/ SOLENOID VALVE (M22)
7	2425597 TERMINAL COVER (M22)	62	1728464 SPACER (PCB) (M22)
8	040139J RUBBER BUSH/ LEAD WIRE (M22)	63	2428510 OVERLOAD PROTECTOR (M22)
9	2493893 SOUND INSULATION (INNER TOP) (M22)	64	1796234 PAN HEAD TAPPING SCREW (M22)
10	2561808 HEAT EXCHANGER ASSY. (M22)	65	2428527 RADIATION SHEET (M22)
11	NA STOP VALVE ASSY. (M22)	66	NA EL. COMPO. BOX ASSY. (1) (M22)
12	380116J CUSHION RUBBER/ ACCUMULATOR (M22)	67	2561811 STAY (M22)
13	112853J VIBRATION ISOLATOR PUTTY (M22)	68	2561850 EL. COMPO. BOX COVER ASSY. (M22)
14	NA STOP VALVE ASSY. (M22)	69	2545146 THERMISTOR ASSY. (M22)
15	2564154 LIQUID STOP VALVE ASSY. (M22)	70	2561813 BOTTOM FRAME ASSY. (M22)
16	2564217 GAS STOP VALVE ASSY. (M22)	71	2494098 WIRING PROTECTION BUSH (M22)
17	109224J HEX HEAD TAPPING SCREW (M22)	72	2561821 RIGHT SIDE PLATE ASSY. (M22)
18	NA ELECTRONIC EXP. VALVE ASSY. (M22)	73	2548908 HANDLE ASSY. (M22)
19	2204606 BODY/ ELECTRONIC EXP. VALVE (M22)	74	2535320 PIPING FIXTURE ASSY. (M22)
20	008529J STRAINER (FOR REF.) (M22)	75	008203J TRUSS HEAD TAPPING SCREW (M22)
21	151188J CHECK VALVE (M22)	76	109224J HEX HEAD TAPPING SCREW (M22)
22	1666085 SOUNDPROOF PUTTY (M22)	77	1821022 TAPPING SCREW (M22)
23	NA MUFFLER ASSY. (M22)	78	2561822 TOP PLATE ASSY. (M22)
24	NA FOUR WAY VALVE ASSY. (M22)	79	4015634 CUSHION MATERIAL (HEAT EXCHANGER) (M22)
25	107638J CHECK VALVE (M22)	80	2563554 BRAND NAME LABEL (M22)
26	2534448 HIGH PRESSURE SWITCH (M22)	81	042396J FITTING SPRING/ THERMISTOR (M22)
27	2165965 BODY/ SOLENOID VALVE (M22)	82	2564156 LABEL (M22)
28	111167J STRAINER (M22)	83	4023075 CAUTION LABEL (ROTATING) (M22)
29	2455992 BODY/ FOUR WAY VALVE (M22)	84	2561814 LEFT SIDE PLATE ASSY. (M22)
30	1721122 FUSIBLE PLUG (M22)	85	NA COLLECTIVE INDICATIONS LABEL (M22)
31	NA SUCTION PIPE ASSY. (M22)	86	NA CAUTION LABEL (ELECTRIC SHOCK) (M22)
32	2545134 PRESSURE SENSOR (M22)	87	2563394 LABEL NAME PLATE (R32) (M22)
33	2563392 ACCUMULATOR ASSY. (M22)	88	2561815 FRONT PLATE (M22)
34	2535318 SOUNDPROOF PUTTY (M22)	89	2561816 PARTITION PLATE (M22)
35	2546975 SOUNDPROOF PUTTY (M22)	90	2561824 FAN MOTOR STAND ASSY. (WITH FAN MOTOR) (M22)
36	2535324 SOUNDPROOF PUTTY (M22)	91	2561825 FAN MOTOR STAND ASSY. (M22)
37	2561809 PROPELLER FAN ASSY. (M22)	92	2545649 DC FAN MOTOR (M22)
38	847003J LOCK NUT/ FAN (M22)	93	2120405 HEX TAPPING SCREW (3) (M22)
39	2425643 PROTECTION NET (M22)	94	2561819 REAR PLATE ASSY. (M22)
40	4022196 DISCHARGE GRILLE ASSY. (M22)	95	2561820 CONDUIT MOUNTING PLATE ASSY. (M22)
41	2564161 EL. COMPO. MOUNTING PLATE ASSY. (M22)	96	4015625 HANDLE (LEFT) (M22)
42	2545140 WIRE HARNESS ASSY. (POWER) (M22)	97	058956J DRAIN JOINT (M22)
43	2545141 WIRE HARNESS ASSY. (CT POWER) (M22)	98	2253709 CAP 1 (DRAIN) (M22)
44	2559717 PRINTED CIRCUIT BOARD ASSY. (M22)	99	2253716 CAP 2 (DRAIN) (M22)
45	2545635 WIRE HARNESS ASSY. (ACS) (M22)	100	2545851 FILTER DRIER (M22)
46	2545636 WIRE HARNESS ASSY. (COMMUNICATION) (M22)		
47	2545637 EARTH WIRE (M22)		
48	2545638 WIRE HARNESS ASSY. (HPS/OL) (M22)		
49	2545648 WIRE HARNESS ASSY. (FAN MOTOR RELAY) (M22)		
50	2545142 WIRE HARNESS ASSY. (COMP.) (M22)		
51	NA EL. COMPO. BOX ASSY. (TERMINAL BLOCK) (M22)		
52	2545657 INSULATION SHEET (M22)		
53	4022185 TERMINAL BLOCK (M22)		
54	2563427 PRINTED CIRCUIT BOARD ASSY. (CT) (M22)		
55	113783J TAPPING SCREW (M22)		

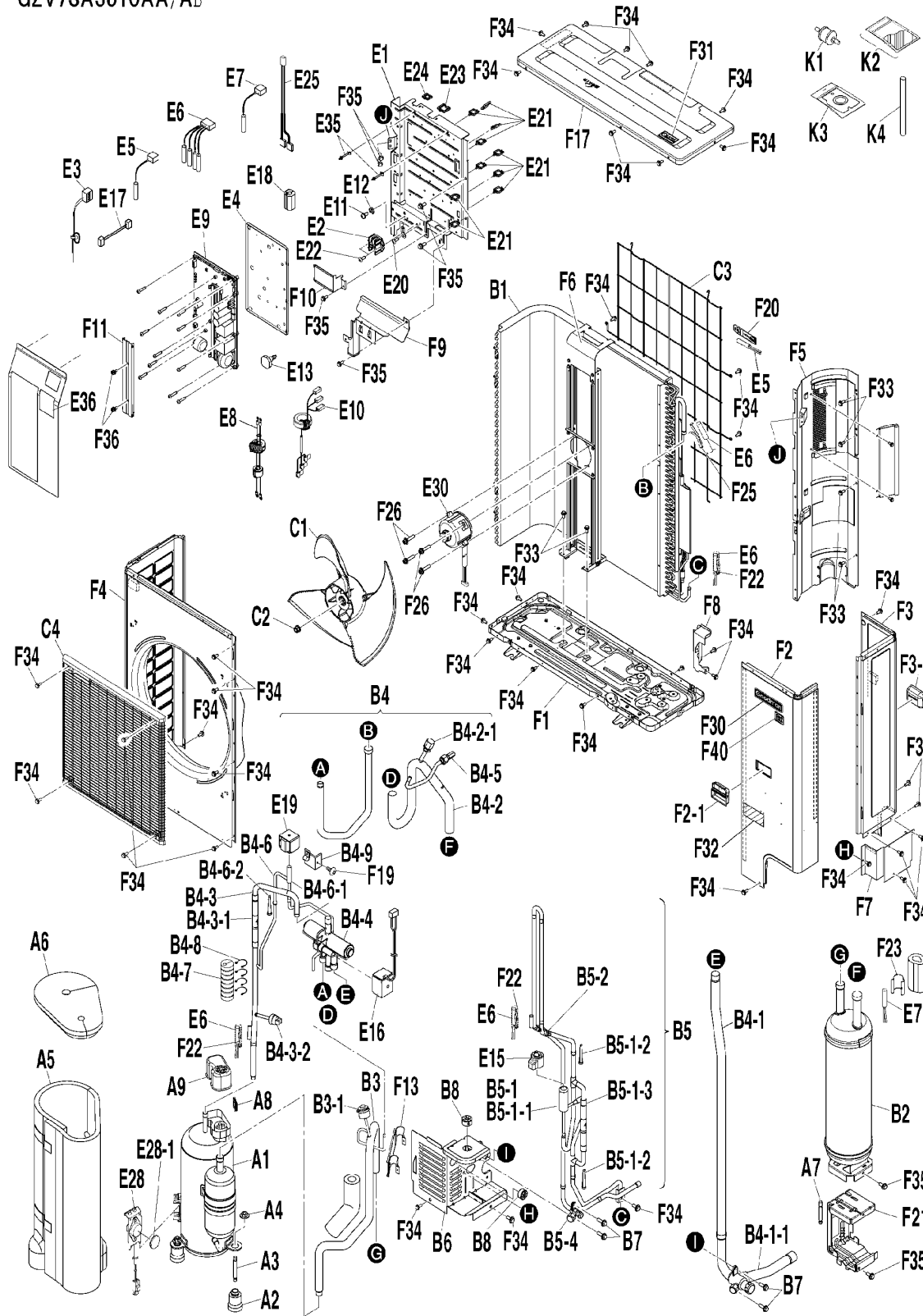
Ref. Part
No: No: Description:

Ref. Part
No: No: Description:

Expanded Model Nomenclature

M1 - GXV6SA1810AA
M2 - GXV6SA2410AA
M3 - GXV6SA3010AA
M4 - GXV6SA3610AA
M5 - GXV6SS1810AA
M6 - GXV6SS2410AA
M7 - GXV6SS3010AA
M8 - GXV6SS3610AA
M9 - GXV6SS4210AA
M10 - GXV6SS4810AA
M11 - GXV6SS6010AA
M12 - GXV9SA2410AA
M13 - GXV9SA3610AA
M14 - GXV9SA4810AA
M15 - GZV6SA1810AA
M16 - GZV6SA2410AA
M17 - GZV6SA3010AA
M18 - GZV6SA3610AA
M19 - GZV6SA4210AA
M20 - GZV6SA4810AA
M21 - GZV6SA6010AA
M22 - GZV7SA2410AA
M23 - GZV7SA3610AA
M24 - GZV7SA4210AA
M25 - GZV7SA4810AA

GZV7SA3610AA/AB



Picture Key

Ref #	Picture #
1	A1
2	A2
3	A3
4	A4
5	A5
6	A6
7	A7
8	A8
9	A9
10	B1
11	B2
12	B3
13	B3-1
14	B4
15	B4-1
16	B4-1-1
17	B4-2
18	B4-2-1
19	B4-3
20	B4-3-1
21	B4-3-2
22	B4-4
23	B4-5
24	B4-6
25	B4-6-1
26	B4-6-2
27	B4-7
28	B4-8
29	B4-9
30	B5
31	B5-1
32	B5-1-1
33	B5-1-2
34	B5-1-3
35	B5-2
36	B5-4
37	B6
38	B7
39	B8
40	C1
41	C2
42	C3
43	C4
44	E1
45	E10
46	E11
47	E12
48	E13
49	E15
50	E16
51	E17
52	E18
53	E19
54	E2
55	E20
56	E21
57	E22
58	E23
59	E24
60	E25
61	E28
62	E28-1
63	F1
64	F2
65	F2-1
66	F3
67	F3-1
68	F3-2
69	F3-3
70	F3-4
71	F3-5
72	F3-6
73	F3-7
74	F3-8
75	F3-9
76	F3-10
77	F3-11
78	F3-12
79	F3-13
80	F3-14
81	F3-15
82	F3-16
83	F3-17
84	F3-18
85	F3-19
86	F3-20
87	F3-21
88	F3-22
89	F3-23
90	F3-24
91	F3-25
92	F3-26
93	F3-27
94	F3-28
95	F3-29
96	F3-30
97	F3-31
98	F3-32
99	F3-33
100	F3-34
101	F3-35
102	F3-36
103	F4
104	F5
105	F6
106	F7

Ref. Part No: No:	Description:	Ref. Part No: No:	Description:
Image 1:		Image 1:	
1	2563519 COMPRESSOR ASSY. (M23)	56	352004 WIRE CLIP (M23)
2	2561829 RUBBER VIBRATION ISOLATOR (M23)	57	827920J TAPPING SCREW (M23)
3	2119809 COMPRESSOR MOUNTING BOLT (M23)	58	099951J EDGE SADDLE (M23)
4	4010410 WASHER (NUT WITH WASHER) (M23)	59	094708J EDGE SADDLE (M23)
5	2493918 COMPRESSOR SOUNDPROOF (M23)	60	2534508 WIRE HARNESS ASSY. (HPS) (M23)
6	4024830 SOUND ABSORBING MATERIAL (M23)	61	2433017 RETAINER ASSY. (M23)
7	076850J SET BOLT/ COMPRESSOR (M23)	62	2428527 RADIATION SHEET (M23)
8	040139J RUBBER BUSH/ LEAD WIRE (M23)	63	2425768 WIRE HARNESS ASSY. (FOR COMMUNICATION) (M23)
9	2425597 TERMINAL COVER (M23)		
10	2563532 HEAT EXCHANGER ASSY. (M23)	64	2561833 DC FAN MOTOR (M23)
11	2563521 ACCUMULATOR ASSY. (M23)	65	1233757 LOCKING CARD SPACER (M23)
12	NA SUCTION PIPE ASSY. (M23)	66	NA CAUTION LABEL (ELECTRIC SHOCK) (M23)
13	4022182 PRESSURE SENSOR (M23)	67	2534582 INSULATION SHEET (M23)
14	NA FOUR WAY VALVE ASSY. (M23)	68	2425775 THERMISTOR (AIR) (M23)
15	NA GAS STOP VALVE ASSY. (M23)	69	2493932 THERMISTOR ASSY. (M23)
16	4022880 STOP VALVE (M23)	70	2425799 THERMISTOR (SUCTION) (M23)
17	NA SUCTION PIPE ASSY. (1) (M23)	71	2493949 WIRE HARNESS ASSY. (POWER) (M23)
18	094867J SERVICING PORT ASSY. (M23)	72	2563533 PRINTED CIRCUIT BOARD ASSY. (M23)
19	NA DISCHARGE PIPE ASSY. (M23)	73	2564212 BOTTOM FRAME ASSY. (M23)
20	107638J CHECK VALVE (M23)	74	2561843 SHIELD PLATE (TERMINAL BLOCK) (M23)
21	2534448 HIGH PRESSURE SWITCH (M23)	75	2561844 COVER (M23)
22	1858062 BODY/ FOUR WAY VALVE (M23)	76	2535327 PIPING FIXTURE ASSY. (M23)
23	1721122 FUSIBLE PLUG (M23)	77	2561855 TOP PLATE ASSY. (M23)
24	NA REFRIGERANT PIPE ASSY. (HOT GAS) (M23)	78	NA HEAD MACHINE SCREW (M23)
25	2165965 BODY/ SOLENOID VALVE (M23)	79	2561835 FRONT PLATE ASSY. (M23)
26	111167J STRAINER (M23)	80	157132J THERMISTOR FIXING PLATE (M23)
27	980752J PIPING WEIGHT (M23)	81	2561846 MOUNTING PLATE (M23)
28	980761J WEIGHT CLIP (M23)	82	092045J HANDLE (M23)
29	2535326 PIPING FIXTURE ASSY. (M23)	83	042396J FITTING SPRING/ THERMISTOR (M23)
30	NA ELECTRONIC EXP. VALVE ASSY. (M23)	84	2031411 FEELER BULB CLAMP (M23)
31	NA ELECTRONIC EXP. VALVE ASSY. (2) (M23)	85	007432J RETAINER/ THERMISTOR CLAMP (M23)
32	2204606 BODY/ ELECTRONIC EXP. VALVE (M23)	86	2120405 HEX TAPPING SCREW (3) (M23)
33	008529J STRAINER (FOR REF.) (M23)	87	2561836 RIGHT SIDE PLATE (M23)
34	038621J CHECK VALVE (M23)	88	2563554 BRAND NAME LABEL (M23)
35	2433132 PIPING FIXTURE (M23)	89	2564156 LABEL (M23)
36	2494649 LIQUID STOP VALVE ASSY. (M23)	90	092045J HANDLE (M23)
37	2561831 STOP VALVE MOUNTING PLATE (M23)	91	4023075 CAUTION LABEL (ROTATING) (M23)
38	162753J SCREW/ C TIGHT CUP (M23)	92	1905191 HEX HEAD TAPPING (M23)
39	2494098 WIRING PROTECTION BUSH (M23)	93	049594J HEX HEAD TAPPING SCREW (M23)
40	2561832 PROPELLER FAN (M23)	94	131453J TRUSS HEAD TAPPING SCREW (M23)
41	847003J LOCK NUT/ FAN (M23)	95	4016867 HEX BOLT (M23)
42	2425744 SUCTION GRILLE ASSY. (M23)	96	2561854 FRONT PLATE ASSY. (M23)
43	2545655 DISCHARGE GRILLE ASSY. (M23)	97	2563394 LABEL NAME PLATE (R32) (M23)
44	2546825 EL. COMPO. MOUNTING PLATE (M23)	98	2561838 PARTITION PLATE ASSY. (M23)
45	2545654 WIRE HARNESS ASSY. (COMP.) (M23)	99	2561839 FAN MOTOR STAND ASSY. (M23)
46	119839J TAPPING SCREW (M23)	100	2561840 COVER (SIDE) (M23)
47	071124J CUP WASHER (M23)	101	2561841 REAR COVER (M23)
48	2494687 RIVET (M23)	102	2561842 MOUNTING PLATE (FIELD WIRING) (M23)
49	2493956 COIL/ ELECTRONIC EXP. VALVE (M23)	103	2545851 FILTER DRIER (M23)
50	2493855 COIL/ FOUR WAY VALVE (M23)	104	2494067 GREASE ASSY. (M23)
51	2493963 WIRE HARNESS ASSY. (PCB-OL CONNECTION) (M23)	105	2561847 PATCH PLATE ASSY. (M23)
		106	2223506 ELECTRIC INSULATION (M23)
52	5009491 FERRITE CORE (M23)		
53	2534509 COIL/ SOLENOID VALVE (M23)		
54	2425751 TERMINAL BLOCK (M23)		
55	113783J TAPPING SCREW (M23)		

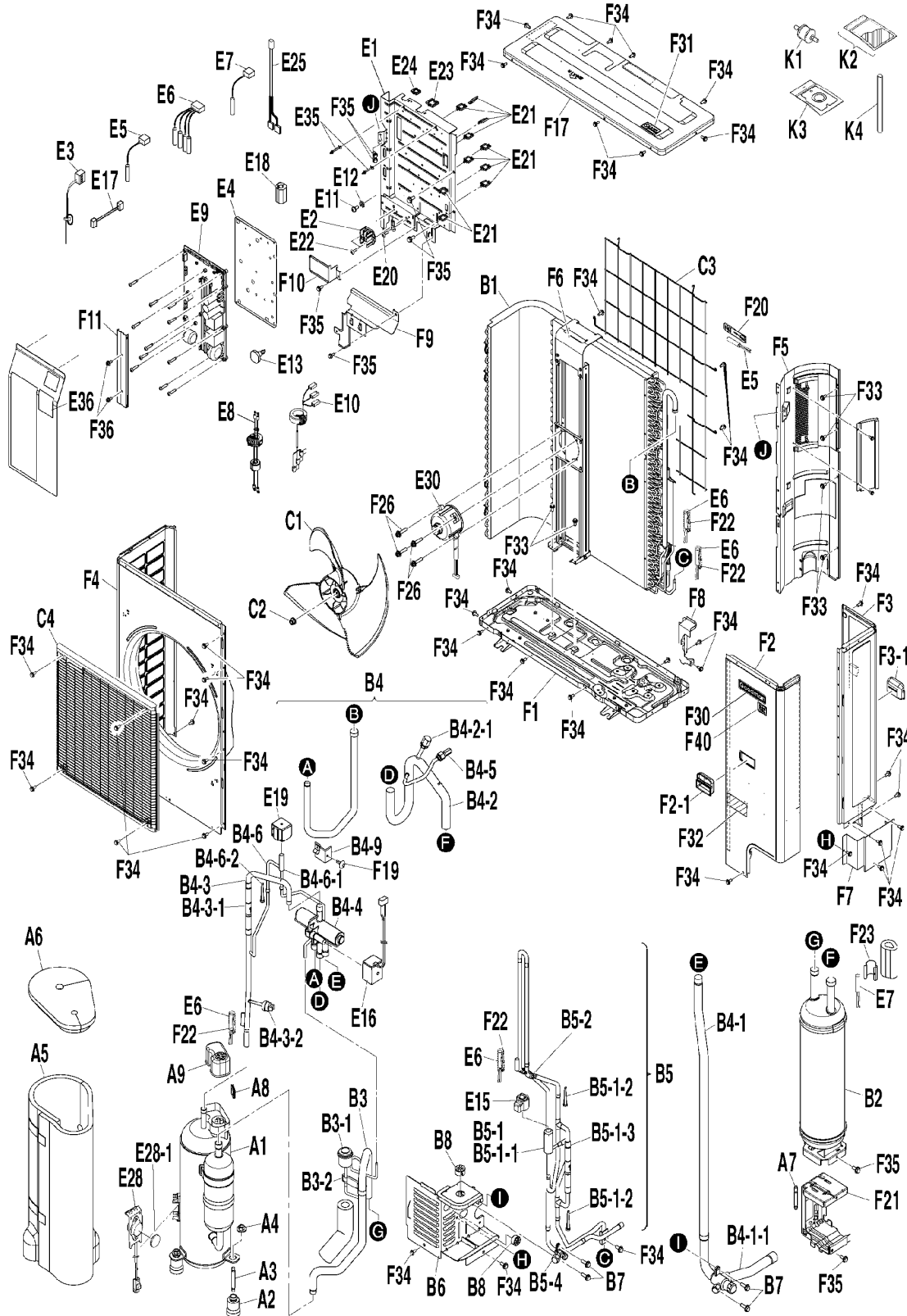
Ref. Part
No: No: Description:

Ref. Part
No: No: Description:

Expanded Model Nomenclature

M1 - GXV6SA1810AA
M2 - GXV6SA2410AA
M3 - GXV6SA3010AA
M4 - GXV6SA3610AA
M5 - GXV6SS1810AA
M6 - GXV6SS2410AA
M7 - GXV6SS3010AA
M8 - GXV6SS3610AA
M9 - GXV6SS4210AA
M10 - GXV6SS4810AA
M11 - GXV6SS6010AA
M12 - GXV9SA2410AA
M13 - GXV9SA3610AA
M14 - GXV9SA4810AA
M15 - GZV6SA1810AA
M16 - GZV6SA2410AA
M17 - GZV6SA3010AA
M18 - GZV6SA3610AA
M19 - GZV6SA4210AA
M20 - GZV6SA4810AA
M21 - GZV6SA6010AA
M22 - GZV7SA2410AA
M23 - GZV7SA3610AA
M24 - GZV7SA4210AA
M25 - GZV7SA4810AA

GZV7SA4210AA/AB GZV7SA4810AA/AB



Picture Key	
Ref #	Picture #
1	A1
2	A2
3	A3
4	A4
5	A5
6	A6
7	A7
8	A8
9	A9
10	B1
11	B2
12	B3
13	B3-1
14	B3-2
15	B4
16	B4-1
17	B4-1-1
18	B4-2
19	B4-2-1
20	B4-3
21	B4-3-1
22	B4-3-2
23	B4-4
24	B4-5
25	B4-6
26	B4-6-1
27	B4-6-2
28	B4-9
29	B5
30	B5-1
31	B5-1-1
32	B5-1-2
33	B5-1-3
34	B5-2
35	B5-4
36	B6
37	B7
38	B8
39	C1
40	C2
41	C3
42	C4
43	E1
44	E10
45	E11
46	E12
47	E13
48	E15
49	E16
50	E17
51	E18
52	E19
53	E2
54	E20
55	E21
56	E22
57	E23
58	E24
59	E25
60	E28
61	E28-1
62	E3
63	E30
64	E35
65	E36
66	E4
67	E5
68	E6
69	E7
70	E8
71	E9
72	F1
73	F10
74	F11
75	F17
76	F19
77	F2
78	F20
79	F21
80	F2-1
81	F22
82	F23
83	F26
84	F3
85	F30
86	F31
87	F3-1
88	F32
89	F33
90	F34
91	F35
92	F36
93	F4
94	F40
95	F5
96	F6
97	F7
98	F8
99	F9
100	K1
101	K2
102	K3
103	K4

Ref. Part No: No:	Description:	Ref. Part No: No:	Description:
Image 1:		Image 1:	
1	2563525 COMPRESSOR ASSY. (M24, M25)	56	827920J TAPPING SCREW (M24, M25)
2	2561829 RUBBER VIBRATION ISOLATOR (M24, M25)	57	099951J EDGE SADDLE (M24, M25)
3	2119809 COMPRESSOR MOUNTING BOLT (M24, M25)	58	094708J EDGE SADDLE (M24, M25)
4	4010410 WASHER (NUT WITH WASHER) (M24, M25)	59	2534508 WIRE HARNESS ASSY. (HPS) (M24, M25)
5	2493918 COMPRESSOR SOUNDPROOF (M24, M25)	60	2433017 RETAINER ASSY. (M24, M25)
6	4024830 SOUND ABSORBING MATERIAL (M24, M25)	61	2428527 RADIATION SHEET (M24, M25)
7	076850J SET BOLT/ COMPRESSOR (M24, M25)	62	2425768 WIRE HARNESS ASSY. (FOR COMMUNICATION) (M24, M25)
8	040139J RUBBER BUSH/ LEAD WIRE (M24, M25)	63	2561833 DC FAN MOTOR (M24, M25)
9	2425597 TERMINAL COVER (M24, M25)	64	1233757 LOCKING CARD SPACER (M24, M25)
10	2563548 HEAT EXCHANGER ASSY. (M24, M25)	65	NA CAUTION LABEL (ELECTRIC SHOCK) (M24, M25)
11	2563521 ACCUMULATOR ASSY. (M24, M25)	66	2534582 INSULATION SHEET (M24, M25)
12	NA SUCTION PIPE ASSY. (M24, M25)	67	2425775 THERMISTOR (AIR) (M24, M25)
13	4022182 PRESSURE SENSOR (M24, M25)	68	2493932 THERMISTOR ASSY. (M24, M25)
14	2535329 PIPING FIXTURE ASSY. (M24, M25)	69	2425799 THERMISTOR (SUCTION) (M24, M25)
15	NA FOUR WAY VALVE ASSY. (M24, M25)	70	2493949 WIRE HARNESS ASSY. (POWER) (M24, M25)
16	NA GAS STOP VALVE ASSY. (M24, M25)	71	2563549 PRINTED CIRCUIT BOARD ASSY. (M24, M25)
17	4022880 STOP VALVE (M24, M25)	72	2564212 BOTTOM FRAME ASSY. (M24, M25)
18	NA SUCTION PIPE ASSY. (1) (M24, M25)	73	2561843 SHIELD PLATE (TERMINAL BLOCK) (M24, M25)
19	094867J SERVICING PORT ASSY. (M24, M25)	74	2561844 COVER (M24, M25)
20	NA DISCHARGE PIPE ASSY. (M24, M25)	75	2561855 TOP PLATE ASSY. (M24, M25)
21	107638J CHECK VALVE (M24, M25)	76	NA HEAD MACHINE SCREW (M24, M25)
22	2534448 HIGH PRESSURE SWITCH (M24, M25)	77	2561835 FRONT PLATE ASSY. (M24, M25)
23	1858062 BODY/ FOUR WAY VALVE (M24, M25)	78	157132J THERMISTOR FIXING PLATE (M24, M25)
24	1721122 FUSIBLE PLUG (M24, M25)	79	2561846 MOUNTING PLATE (M24, M25)
25	NA REFRIGERANT PIPE ASSY. (HOT GAS) (M24, M25)	80	092045J HANDLE (M24, M25)
26	2165965 BODY/ SOLENOID VALVE (M24, M25)	81	042396J FITTING SPRING/ THERMISTOR (M24, M25)
27	111167J STRAINER (M24, M25)	82	2031411 FEELER BULB CLAMP (M24, M25)
28	2535326 PIPING FIXTURE ASSY. (M24, M25)	83	2120405 HEX TAPPING SCREW (3) (M24, M25)
29	NA ELECTRONIC EXP. VALVE ASSY. (M24, M25)	84	2561836 RIGHT SIDE PLATE (M24, M25)
30	NA ELECTRONIC EXP. VALVE ASSY. (2) (M24, M25)	85	2563554 BRAND NAME LABEL (M24, M25)
31	2204606 BODY/ ELECTRONIC EXP. VALVE (M24, M25)	86	2564156 LABEL (M24, M25)
32	008529J STRAINER (FOR REF.) (M24, M25)	87	092045J HANDLE (M24, M25)
33	038621J CHECK VALVE (M24, M25)	88	4023075 CAUTION LABEL (ROTATING) (M24, M25)
34	2433132 PIPING FIXTURE (M24, M25)	89	1905191 HEX HEAD TAPPING (M24, M25)
35	2494649 LIQUID STOP VALVE ASSY. (M24, M25)	90	049594J HEX HEAD TAPPING SCREW (M24, M25)
36	2561831 STOP VALVE MOUNTING PLATE (M24, M25)	91	131453J TRUSS HEAD TAPPING SCREW (M24, M25)
37	162753J SCREW/ C TIGHT CUP (M24, M25)	92	4016867 HEX BOLT (M24, M25)
38	2494098 WIRING PROTECTION BUSH (M24, M25)	93	2561854 FRONT PLATE ASSY. (M24, M25)
39	2561832 PROPELLER FAN (M24, M25)	94	2563394 LABEL NAME PLATE (R32) (M24, M25)
40	847003J LOCK NUT/ FAN (M24, M25)	95	2561838 PARTITION PLATE ASSY. (M24, M25)
41	2425744 SUCTION GRILLE ASSY. (M24, M25)	96	2561849 FAN MOTOR STAND ASSY. (M24, M25)
42	2545655 DISCHARGE GRILLE ASSY. (M24, M25)	97	2561840 COVER (SIDE) (M24, M25)
43	2546825 EL. COMPO. MOUNTING PLATE (M24, M25)	98	2561841 REAR COVER (M24, M25)
44	2545654 WIRE HARNESS ASSY. (COMP.) (M24, M25)	99	2561842 MOUNTING PLATE (FIELD WIRING) (M24, M25)
45	119839J TAPPING SCREW (M24, M25)	100	2545851 FILTER DRIER (M24, M25)
46	071124J CUP WASHER (M24, M25)	101	2494067 GREASE ASSY. (M24, M25)
47	2494687 RIVET (M24, M25)	102	2561847 PATCH PLATE ASSY. (M24, M25)
48	2493956 COIL/ ELECTRONIC EXP. VALVE (M24, M25)	103	2223506 ELECTRIC INSULATION (M24, M25)
49	2493855 COIL/ FOUR WAY VALVE (M24, M25)		
50	2493963 WIRE HARNESS ASSY. (PCB-OL CONNECTION) (M24, M25)		
51	5009491 FERRITE CORE (M24, M25)		
52	2534509 COIL/ SOLENOID VALVE (M24, M25)		
53	2425751 TERMINAL BLOCK (M24, M25)		
54	113783J TAPPING SCREW (M24, M25)		
55	352004 WIRE CLIP (M24, M25)		

Ref. Part
No: No: Description:

Ref. Part
No: No: Description:

Expanded Model Nomenclature

M1 - GXV6SA1810AA
M2 - GXV6SA2410AA
M3 - GXV6SA3010AA
M4 - GXV6SA3610AA
M5 - GXV6SS1810AA
M6 - GXV6SS2410AA
M7 - GXV6SS3010AA
M8 - GXV6SS3610AA
M9 - GXV6SS4210AA
M10 - GXV6SS4810AA
M11 - GXV6SS6010AA
M12 - GXV9SA2410AA
M13 - GXV9SA3610AA
M14 - GXV9SA4810AA
M15 - GZV6SA1810AA
M16 - GZV6SA2410AA
M17 - GZV6SA3010AA
M18 - GZV6SA3610AA
M19 - GZV6SA4210AA
M20 - GZV6SA4810AA
M21 - GZV6SA6010AA
M22 - GZV7SA2410AA
M23 - GZV7SA3610AA
M24 - GZV7SA4210AA
M25 - GZV7SA4810AA