

Accessory Parts

3PMNDK01FI03
3PMNDK01FI06
3PMNDK02FI01
3PMNDK02FI02
3PMNDK03FI01
HGDRSB000300C
HGDRSB000300CC
HGDRSB000300CD
HGDRSB000300DC
HGDRSB000300DCC
HGDRSB000300DCD
HGDRSB000300DG
HGDRSB000300DGC
HGDRSB000300DGD
HGDRSB000300G
HGDRSB000300GC
HGDRSB000300GD
HGDRSB180240C
HGDRSB180240CC
HGDRSB180240CD
HGDRSB180240G
HGDRSB180240GC
HGDRSB180240GD
LAKT23FIAC
LAKT24FIAC
LAKT25FIAC
LAKT300FIAC2
LAKT300FIDDC
VENSTAR03
VENSTAR07

ACCESSORY PARTS LIST

RP-FIOPL1



This manual is to be used by qualified technicians only.

Important Information

Index

| | |
|------------------------------|--------|
| Functional Parts List | 3 |
| Illustration and Parts | 4 - 13 |

Views shown are for parts illustrations only, not servicing procedures

Text Codes:

AR - As Required

NA - Not Available

NS - Not Shown

00000000 - See Note

QTY - Quantity Example (QTY 3) (If Quantity not shown, Quantity = 1)

M - Model Example (M1) (If M Code not shown, then part is used on all Models)

Expanded Model Nomenclature:

| |
|---|
| Example M1 - Model#1 M2 - Model#2 M3 - Model#3 |
|---|

Daikin Company, L.P. is not responsible for personal injury or property damage resulting from improper service. Review all service information before beginning repairs.

Warranty service must be performed by an authorized technician, using authorized factory parts. If service is required after the warranty expires, Daikin Company, L.P. also recommends contacting an authorized technician and using authorized factory parts.

Daikin Company, L.P. reserves the right to discontinue, or change at any time, specifications or designs without notice or without incurring obligations.

For assistance within the U.S.A. contact:

Equipment Support
Daikin North America, LLC
19001 Kermier Road
Waller, Texas 77484
855-770-5678-Telephone
713-863-2382-Facsimile

For assistance outside the U.S.A. contact:

International Division
Daikin North America, LLC
19001 Kermier Road
Waller, Texas 77484
713-861-2500-Telephone
713-863-2382-Facsimile

Functional Parts

Part No: **Description:**

0130M00059 LOW AMBIENT (M19, M20, M21, M22, M23)
 0130M00271 MODULE CYCLE TIMER (M22, M23)
 0130L00105 PHASE MONITOR (M26, M27, M28, M29, M30)
 10135604 RELAY (M22, M23)
 0130M00265 RELAY THERMISTOR (M22, M23)
 RS400 REMOTE SENSOR (M24, M25)
 SP400 SENSOR PACK (M24, M25)
 0130M00276 SOLID STATE CONTACTOR (M22, M23)
 ECP400-5 SURVEYOR ECP (M24, M25)
 VENSTAR03 VENSTAR CONTROL KIT 15 - 20 TON (M24)
 VENSTAR07 VENSTAR CONTROL KIT 25 TON (M25)

SPECIAL PARTS

IOD-7065 INSTALLATION INSTRUCTIONS (M28, M29)
 IOD-7056 INSTALLATION INSTRUCTIONS (M1, M2, M3, M4, M5, M6, M7, M8, M9, M10, M11, M12, M13, M14, M15, M16, M17, M18)
 IOD-7119A INSTALLATION INSTRUCTIONS (M23)
 IOD-7021B INSTALLATION INSTRUCTIONS (M22)
 IOD-7130A INSTALLATION INSTRUCTIONS (M19, M20, M21)
 IOD-7053 INSTALLATION INSTRUCTIONS (M26, M27)

Expanded Model Nomenclature

M1 - HGDRSB000300C
 M2 - HGDRSB000300CC
 M3 - HGDRSB000300CD
 M4 - HGDRSB000300DC
 M5 - HGDRSB000300DCC
 M6 - HGDRSB000300DCD
 M7 - HGDRSB000300DG
 M8 - HGDRSB000300DGC
 M9 - HGDRSB000300DGD
 M10 - HGDRSB000300G
 M11 - HGDRSB000300GC
 M12 - HGDRSB000300GD
 M13 - HGDRSB180240C
 M14 - HGDRSB180240CC
 M15 - HGDRSB180240CD
 M16 - HGDRSB180240G
 M17 - HGDRSB180240GC
 M18 - HGDRSB180240GD
 M19 - LAKT23FIAC
 M20 - LAKT24FIAC
 M21 - LAKT25FIAC
 M22 - LAKT300FIAC2
 M23 - LAKT300FIDDC
 M24 - VENSTAR03
 M25 - VENSTAR07
 M26 - 3PMNDK01FI03
 M27 - 3PMNDK01FI06
 M28 - 3PMNDK02FI01
 M29 - 3PMNDK02FI02
 M30 - 3PMNDK03FI01

Ref. Part
No: No: Description:

Ref. Part
No: No: Description:

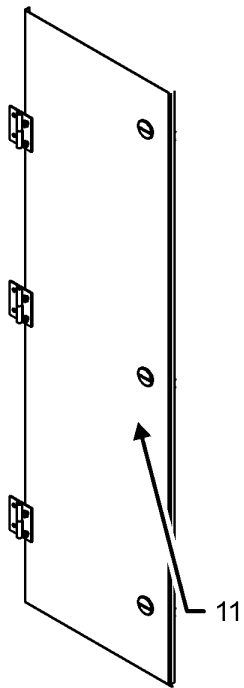
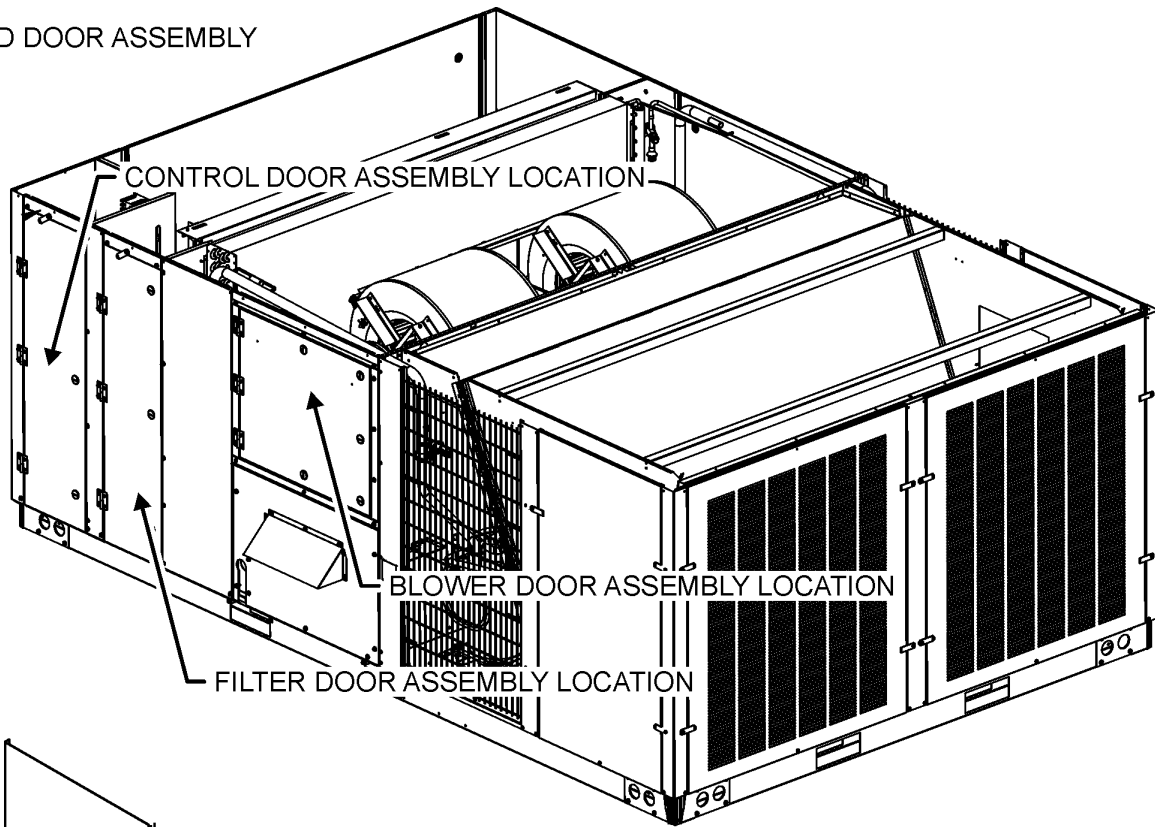
Image 1:

NS NA LIGHT COMMERCIAL NOMENCLATURE

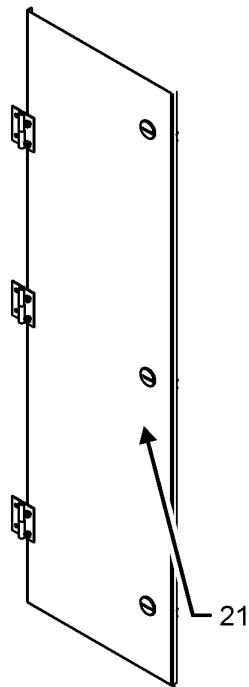
Expanded Model Nomenclature

- M1 - HGDRSB000300C
- M2 - HGDRSB000300CC
- M3 - HGDRSB000300CD
- M4 - HGDRSB000300DC
- M5 - HGDRSB000300DCC
- M6 - HGDRSB000300DCD
- M7 - HGDRSB000300DG
- M8 - HGDRSB000300DGC
- M9 - HGDRSB000300DGD
- M10 - HGDRSB000300G
- M11 - HGDRSB000300GC
- M12 - HGDRSB000300GD
- M13 - HGDRSB180240C
- M14 - HGDRSB180240CC
- M15 - HGDRSB180240CD
- M16 - HGDRSB180240G
- M17 - HGDRSB180240GC
- M18 - HGDRSB180240GD
- M19 - LAKT23FIAC
- M20 - LAKT24FIAC
- M21 - LAKT25FIAC
- M22 - LAKT300FIAC2
- M23 - LAKT300FIDDC
- M24 - VENSTAR03
- M25 - VENSTAR07
- M26 - 3PMNDK01FI03
- M27 - 3PMNDK01FI06
- M28 - 3PMNDK02FI01
- M29 - 3PMNDK02FI02
- M30 - 3PMNDK03FI01

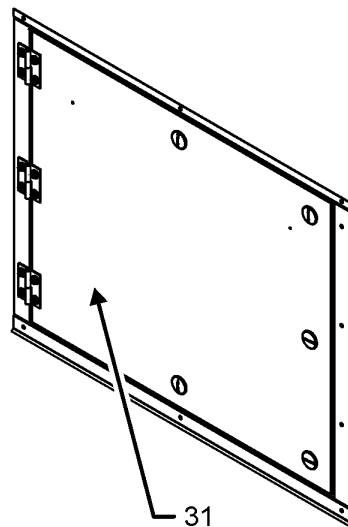
HINGED DOOR ASSEMBLY



CONTROL DOOR ASSEMBLY



FILTER DOOR ASSEMBLY



BLOWER DOOR ASSEMBLY

HINGED DOOR ASSEMBLY MAY DIFFER FROM WHAT IS SHOWN

| Ref. Part No: No: | Description: | Ref. Part No: No: | Description: |
|-------------------|--------------|-------------------|--------------|
|-------------------|--------------|-------------------|--------------|

Image 1:

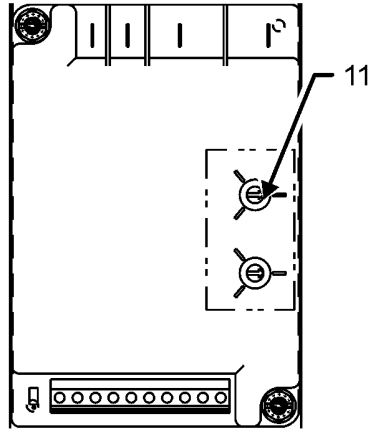
| | | |
|----|------------|--|
| 11 | 0270L01782 | ASSY DOOR CONTROL (M1, M2, M3, M4, M5, M6, M7, M8, M9, M10, M11, M12, M13, M14, M15, M16, M17, M18) |
| 21 | 0270L01781 | INSUL, ASSY DOOR FILTER (M1, M2, M3, M4, M5, M6, M7, M8, M9, M10, M11, M12, M13, M14, M15, M16, M17, M18) |
| 31 | 0270L01780 | ASSY, BLOWER DOOR (M1, M2, M3, M4, M5, M6, M7, M8, M9, M10, M11, M12, M13, M14, M15, M16, M17, M18) |
| NS | IOD-7056 | INSTALLATION INSTRUCTIONS (M1, M2, M3, M4, M5, M6, M7, M8, M9, M10, M11, M12, M13, M14, M15, M16, M17, M18) |
| NS | 0270L01058 | INSUL, ACCESSORY POST ASSY (M1, M2, M3, M4, M5, M6, M7, M8, M9, M10, M11, M12, M13, M14, M15, M16, M17, M18) |
| NS | 0270L01777 | INSUL, ASSY, POST, ACCESSORY (M1, M4, M7, M10, M13, M16) |
| NS | 0270L01783 | INSUL, ASSY, POST, ACCESSORY (M2, M5, M8, M11, M14, M17) |
| NS | 0270L01784 | INSUL, ASSY, POST, ACCESSORY (M3, M6, M9, M12, M15, M18) |
| NS | 0270L01779 | INSUL, ASSY, POST, BLOWER (M1, M2, M3, M4, M5, M6, M7, M8, M9, M10, M11, M12, M13, M14, M15, M16, M17, M18) |
| NS | 0270L01778 | INSUL, ASSY, POST, FILTER (M1, M2, M3, M4, M5, M6, M7, M8, M9, M10, M11, M12, M13, M14, M15, M16, M17, M18) |
| NS | 0163M00360 | LATCH (M1, M2, M3, M4, M5, M6, M7, M8, M9, M10, M11, M12, M13, M14, M15, M16, M17, M18) |

Expanded Model Nomenclature

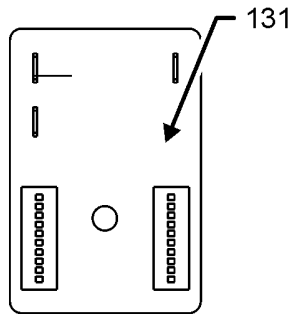
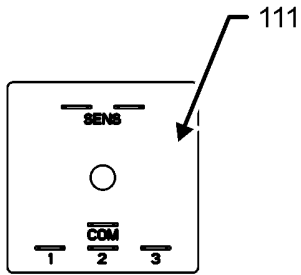
| |
|----------------------|
| M1 - HGDRSB000300C |
| M2 - HGDRSB000300CC |
| M3 - HGDRSB000300CD |
| M4 - HGDRSB000300DC |
| M5 - HGDRSB000300DCC |
| M6 - HGDRSB000300DCD |
| M7 - HGDRSB000300DG |
| M8 - HGDRSB000300DGC |
| M9 - HGDRSB000300DGD |
| M10 - HGDRSB000300G |
| M11 - HGDRSB000300GC |
| M12 - HGDRSB000300GD |
| M13 - HGDRSB180240C |
| M14 - HGDRSB180240CC |
| M15 - HGDRSB180240CD |
| M16 - HGDRSB180240G |
| M17 - HGDRSB180240GC |
| M18 - HGDRSB180240GD |
| M19 - LAKT23FIAC |
| M20 - LAKT24FIAC |
| M21 - LAKT25FIAC |
| M22 - LAKT300FIAC2 |
| M23 - LAKT300FIDDC |
| M24 - VENSTAR03 |
| M25 - VENSTAR07 |
| M26 - 3PMNDK01FI03 |
| M27 - 3PMNDK01FI06 |
| M28 - 3PMNDK02FI01 |
| M29 - 3PMNDK02FI02 |
| M30 - 3PMNDK03FI01 |

NOTE: SOME OF THE PANEL ASSEMBLIES INCLUDE THE DOOR ASSEMBLY AND SOME DO NOT

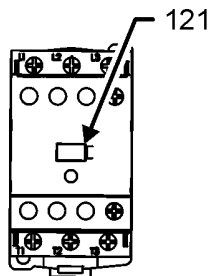
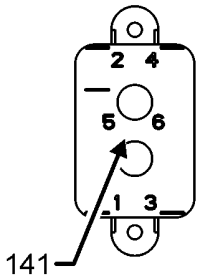
LOW AMBIENT



LOCATED ON PARTITION PANEL
FOR THE 15 - 20 TON MODELS



COMPONENTS USED BY THE
25 TON DDC AND NON-DDC MODELS
LOCATED ON THE CONTROL PANEL



| Ref. Part No: | Part No: | Description: | Ref. Part No: | Part No: | Description: |
|---------------|----------|--------------|---------------|----------|--------------|
|---------------|----------|--------------|---------------|----------|--------------|

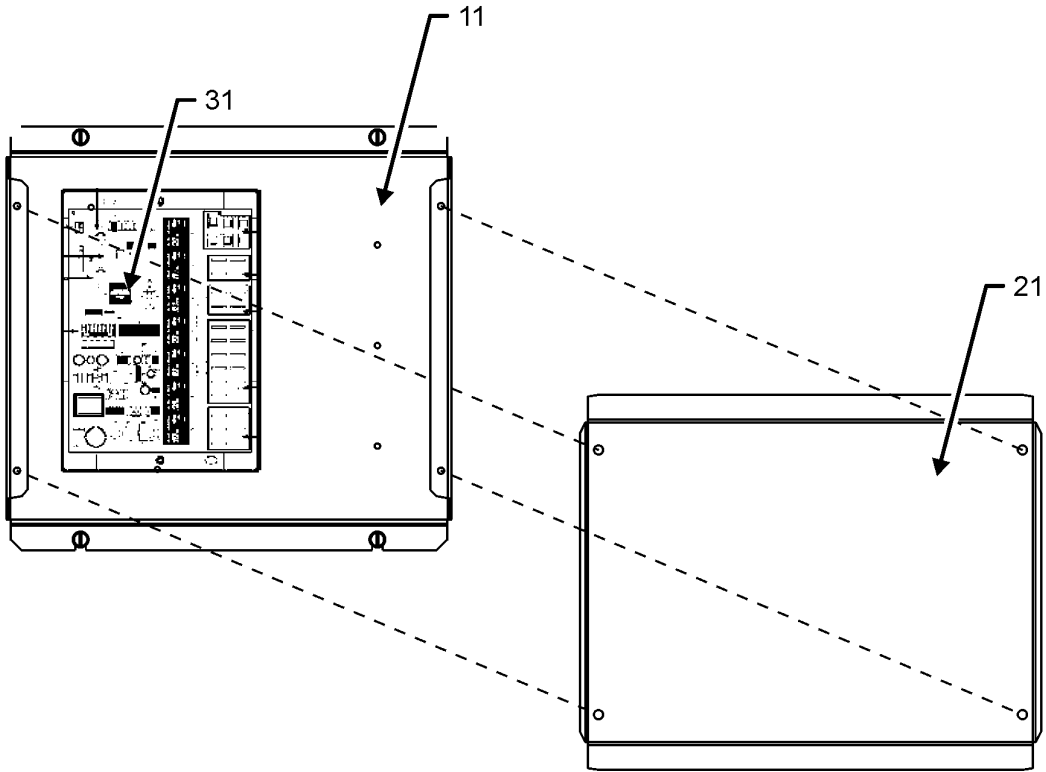
Image 1:

| | | |
|-----|------------|---|
| 11 | 0130M00059 | LOW AMBIENT (M19, M20, M21, M22, M23) |
| 111 | 0130M00265 | RELAY THERMISTOR (M22, M23) |
| 121 | 0130M00276 | SOLID STATE CONTACTOR (M22, M23) |
| 131 | 0130M00271 | MODULE CYCLE TIMER (M22, M23) |
| 141 | 10135604 | RELAY (M22, M23) |
| NS | 0121M00047 | BRACKET LOW AMBIENT (M19, M20, M21, M22, M23) |
| NS | IOD-7021B | INSTALLATION INSTRUCTIONS (M22) |
| NS | IOD-7119A | INSTALLATION INSTRUCTIONS (M23) |
| NS | IOD-7130A | INSTALLATION INSTRUCTIONS (M19, M20, M21) |

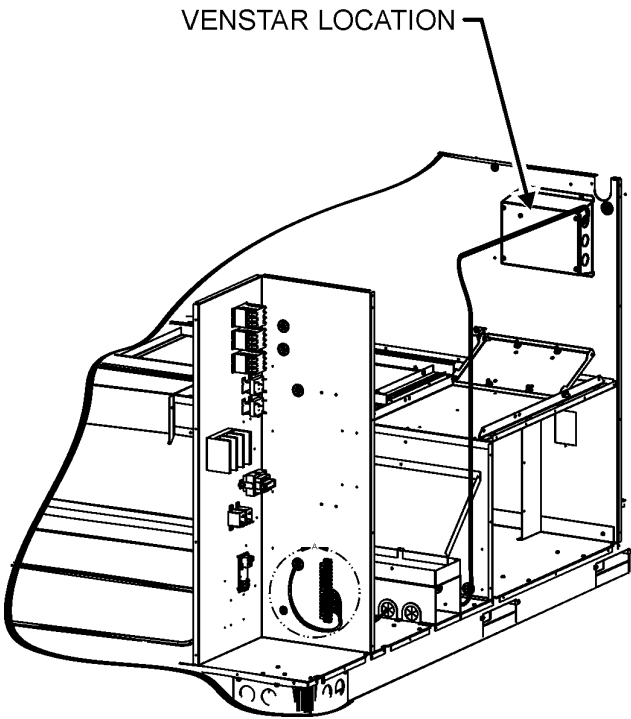
Expanded Model Nomenclature

| |
|----------------------|
| M1 - HGDRSB000300C |
| M2 - HGDRSB000300CC |
| M3 - HGDRSB000300CD |
| M4 - HGDRSB000300DC |
| M5 - HGDRSB000300DCC |
| M6 - HGDRSB000300DCD |
| M7 - HGDRSB000300DG |
| M8 - HGDRSB000300DGC |
| M9 - HGDRSB000300DGD |
| M10 - HGDRSB000300G |
| M11 - HGDRSB000300GC |
| M12 - HGDRSB000300GD |
| M13 - HGDRSB180240C |
| M14 - HGDRSB180240CC |
| M15 - HGDRSB180240CD |
| M16 - HGDRSB180240G |
| M17 - HGDRSB180240GC |
| M18 - HGDRSB180240GD |
| M19 - LAKT23FIAC |
| M20 - LAKT24FIAC |
| M21 - LAKT25FIAC |
| M22 - LAKT300FIAC2 |
| M23 - LAKT300FIDDC |
| M24 - VENSTAR03 |
| M25 - VENSTAR07 |
| M26 - 3PMNDK01FI03 |
| M27 - 3PMNDK01FI06 |
| M28 - 3PMNDK02FI01 |
| M29 - 3PMNDK02FI02 |
| M30 - 3PMNDK03FI01 |

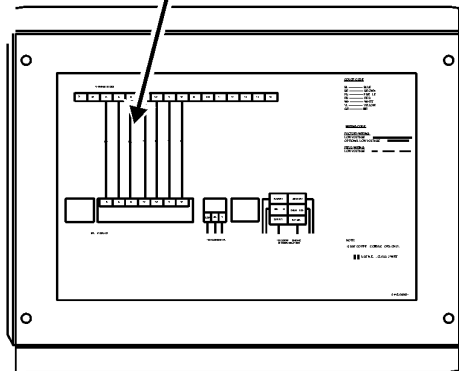
VENSTAR CONTROL KIT



VENSTAR LOCATION



WIRING DIAGRAM LOCATED
INSIDE CONTROL BOX COVER



| Ref. Part No: No: | Description: | Ref. Part No: No: | Description: |
|-------------------|--------------|-------------------|--------------|
|-------------------|--------------|-------------------|--------------|

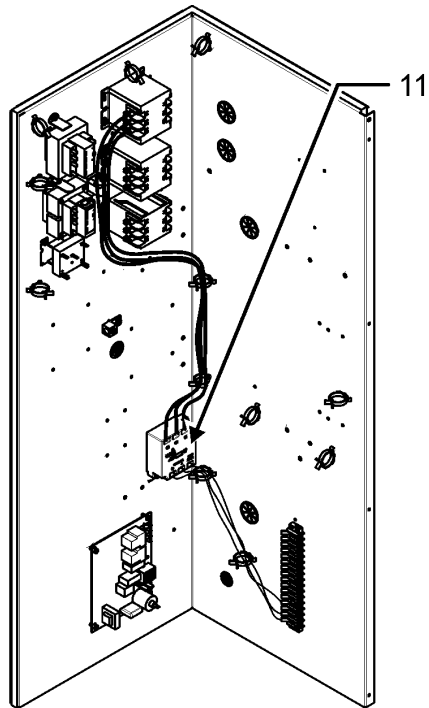
Image 1:

| | | |
|----|------------|---------------------------------------|
| 11 | 0121L02515 | VENSTAR CONTROL ENCLOSURE (M24, M25) |
| 21 | 0121L02381 | CONTROL BOX COVER (M24, M25) |
| 31 | ECP400-5 | SURVEYOR ECP (M24, M25) |
| NS | RS400 | REMOTE SENSOR (M24, M25) |
| NS | SP400 | SENSOR PACK (M24, M25) |
| NS | VENSTAR03 | VENSTAR CONTROL KIT 15 - 20 TON (M24) |
| NS | VENSTAR07 | VENSTAR CONTROL KIT 25 TON (M25) |
| NS | 0259L00555 | WIRE HARNESS (M24) |
| NS | 0259L00557 | WIRE HARNESS (M25) |

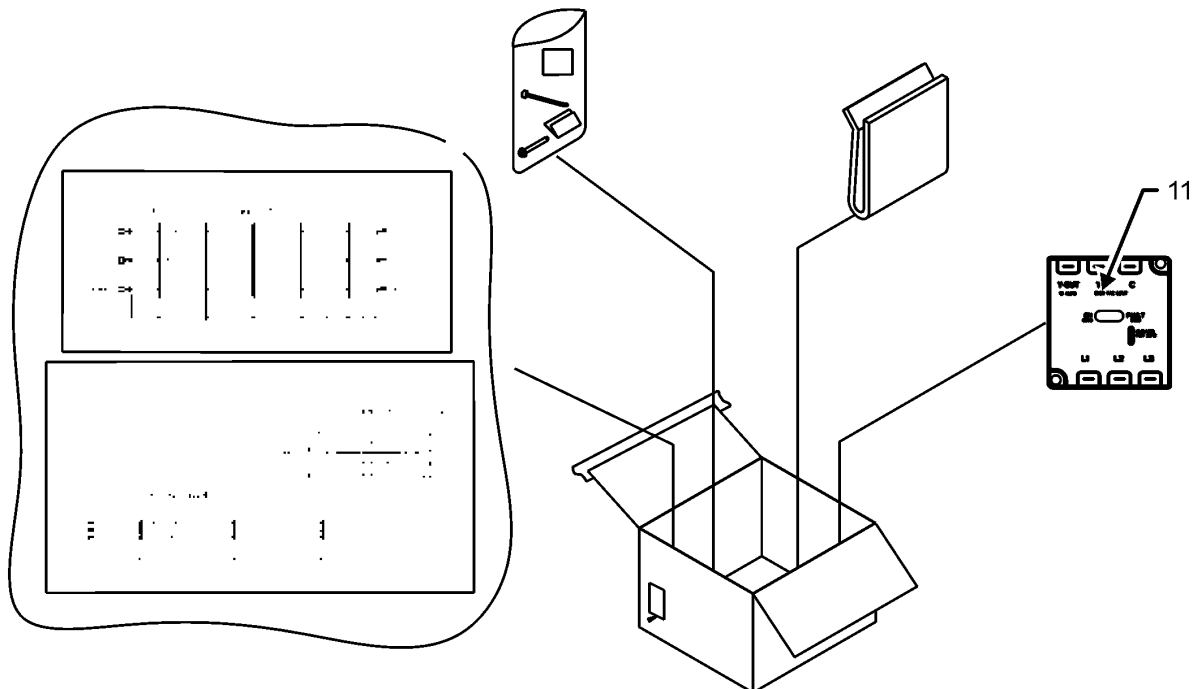
Expanded Model Nomenclature

| |
|----------------------|
| M1 - HGDRSB000300C |
| M2 - HGDRSB000300CC |
| M3 - HGDRSB000300CD |
| M4 - HGDRSB000300DC |
| M5 - HGDRSB000300DCC |
| M6 - HGDRSB000300DCD |
| M7 - HGDRSB000300DG |
| M8 - HGDRSB000300DGC |
| M9 - HGDRSB000300DGD |
| M10 - HGDRSB000300G |
| M11 - HGDRSB000300GC |
| M12 - HGDRSB000300GD |
| M13 - HGDRSB180240C |
| M14 - HGDRSB180240CC |
| M15 - HGDRSB180240CD |
| M16 - HGDRSB180240G |
| M17 - HGDRSB180240GC |
| M18 - HGDRSB180240GD |
| M19 - LAKT23FIAC |
| M20 - LAKT24FIAC |
| M21 - LAKT25FIAC |
| M22 - LAKT300FIAC2 |
| M23 - LAKT300FIDDC |
| M24 - VENSTAR03 |
| M25 - VENSTAR07 |
| M26 - 3PMNDK01FI03 |
| M27 - 3PMNDK01FI06 |
| M28 - 3PMNDK02FI01 |
| M29 - 3PMNDK02FI02 |
| M30 - 3PMNDK03FI01 |

PHASE MONITOR



PHASE MONITOR LOCATION MAY DIFFER FROM WHAT IS SHOWN



PHASE MONITOR KIT

PHASE MONITOR MAY DIFFER FROM WHAT IS SHOWN

| Ref. Part No: No: | Description: | Ref. Part No: No: | Description: |
|-------------------|--------------|-------------------|--------------|
|-------------------|--------------|-------------------|--------------|

Image 1:

| | | |
|----|------------|---|
| 11 | 0130L00105 | PHASE MONITOR (M26, M27, M28, M29, M30) |
| NS | IOD-7053 | INSTALLATION INSTRUCTIONS (M26, M27) |
| NS | IOD-7065 | INSTALLATION INSTRUCTIONS (M28, M29) |
| NS | 0259L00447 | WIRE ASSY PHASE MON NON DDC (M27) |
| NS | 0259L00427 | WIRE HARNESS (M26) |
| NS | 0259L00428 | WIRE HARNESS (M26, M27) |
| NS | 0259L00473 | WIRE HARNESS (M28, M29) |
| NS | 0259L00474 | WIRE HARNESS (M28, M29) |
| NS | 0259L01658 | WIRE HARNESS (M30) |
| NS | 0259L01659 | WIRE HARNESS (M30) |

Expanded Model Nomenclature

| |
|----------------------|
| M1 - HGDRSB000300C |
| M2 - HGDRSB000300CC |
| M3 - HGDRSB000300CD |
| M4 - HGDRSB000300DC |
| M5 - HGDRSB000300DCC |
| M6 - HGDRSB000300DCD |
| M7 - HGDRSB000300DG |
| M8 - HGDRSB000300DGC |
| M9 - HGDRSB000300DGD |
| M10 - HGDRSB000300G |
| M11 - HGDRSB000300GC |
| M12 - HGDRSB000300GD |
| M13 - HGDRSB180240C |
| M14 - HGDRSB180240CC |
| M15 - HGDRSB180240CD |
| M16 - HGDRSB180240G |
| M17 - HGDRSB180240GC |
| M18 - HGDRSB180240GD |
| M19 - LAKT23FIAC |
| M20 - LAKT24FIAC |
| M21 - LAKT25FIAC |
| M22 - LAKT300FIAC2 |
| M23 - LAKT300FIDDC |
| M24 - VENSTAR03 |
| M25 - VENSTAR07 |
| M26 - 3PMNDK01FI03 |
| M27 - 3PMNDK01FI06 |
| M28 - 3PMNDK02FI01 |
| M29 - 3PMNDK02FI02 |
| M30 - 3PMNDK03FI01 |