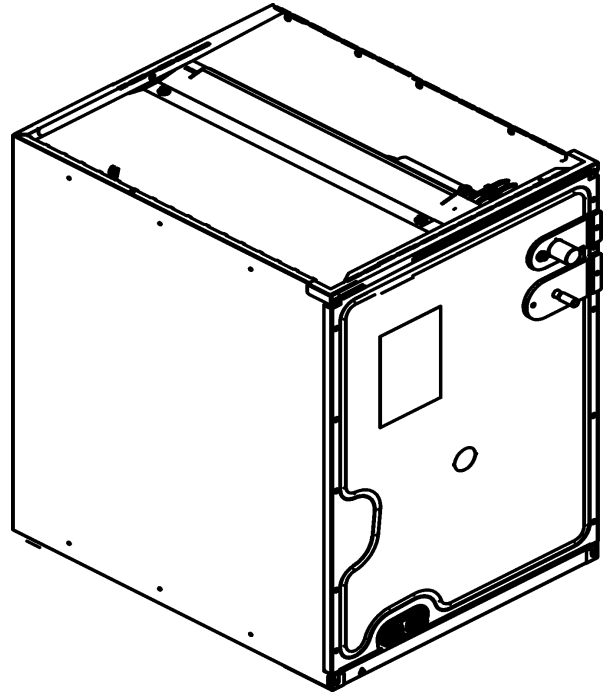


REPAIR PARTS

CAPTA CASED COIL

CAPTA1818A3AA
CAPTA1818B3AA
CAPTA2422A3AA
CAPTA2422B3AA
CAPTA2422C3AA
CAPTA3022A3AA
CAPTA3022B3AA
CAPTA3022C3AA
CAPTA3026B3AA
CAPTA3026C3AA
CAPTA3626B3AA
CAPTA3626C3AA
CAPTA4230C3AA
CAPTA4230D3AA
CAPTA6030C3AA
CAPTA6030D3AA
CAPTA6034C3AA
CAPTA6034D3AA



This manual is to be used by qualified technicians only.

This manual replaces RP-4359.

© 2024 - 2025 Daikin Comfort Technologies Manufacturing, Inc ◊ 19001 Kermier Rd. ◊ Waller, TX 77484

Important Information

Index

Functional Parts List	3
Illustration and Parts	4 - 5

Views shown are for parts illustrations only, not servicing procedures.

Text Codes:

AR - As Required

NA - Not Available

NS - Not Shown

00000000 - See Note

QTY - Quantity Example (QTY 3) (If Quantity not shown, Quantity = 1)

M - Model Example (M1) (If M Code not shown, then part is used on all Models)

Expanded Model Nomenclature:

Example
M1 - Model#1
M2 - Model#2
M3 - Model#3

Daikin Comfort Technologies Manufacturing , Inc. is not responsible for personal injury or property damage resulting from improper service. Review all service information before beginning repairs.

Warranty service must be performed by an authorized technician, using authorized factory parts. If service is required after the warranty expires, Daikin Comfort Technologies Manufacturing , Inc. also recommends contacting an authorized technician and using authorized factory parts.

Daikin Comfort Technologies Manufacturing , Inc. reserves the right to discontinue, or change at any time, specifications or designs without notice or without incurring obligations.

For assistance within the U.S.A. contact:
Homeowner Support
Daikin Comfort Technologies Manufacturing , Inc.
19001 Kermier Road
Waller, Texas 77484
877-254-4729-Telephone
713-863-2382-Facsimile

For assistance outside the U.S.A. contact:
International Division
Daikin Comfort Technologies Manufacturing , Inc.
19001 Kermier Road
Waller, Texas 77484
713-861-2500-Telephone
713-863-2382-Facsimile

Functional Parts

Part

No: **Description:**

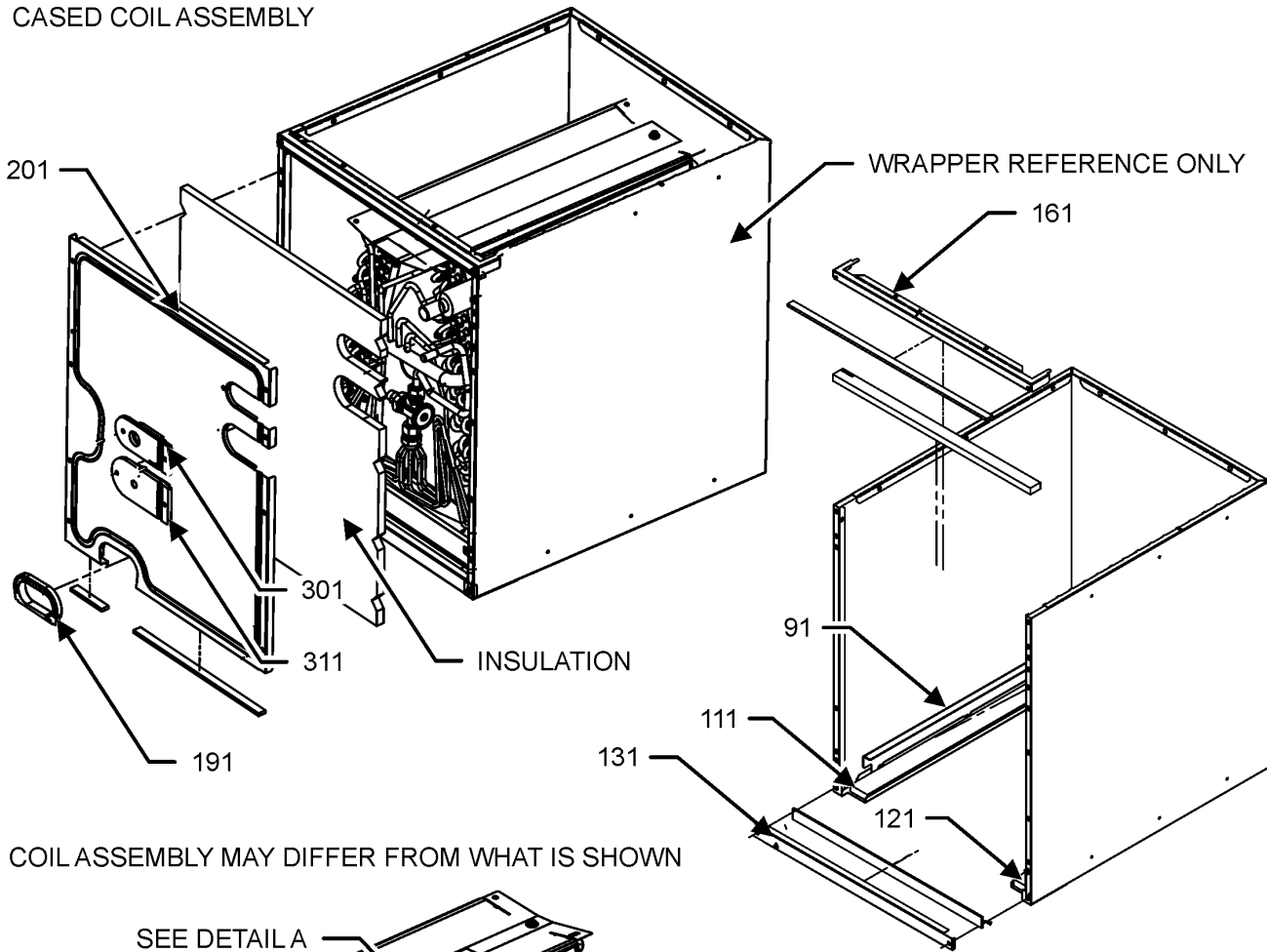
SER2A08012	SENSATA, R32 SENSOR
0151R00265	TXV-FX-1.5T-ADJ VALVE (M1, M2, M3, M4, M5)
0151R00272	TXV-FX-2T-ADJ VALVE (M6, M7, M8, M9, M10)
0151R00273	TXV-FX-3T-ADJ VALVE (M11, M12)
0151R00274	TXV-FX-4T-ADJ VALVE (M13, M14)
0151R00275	TXV-FX-5T-ADJ VALVE (M15, M16, M17, M18)

Expanded Model Nomenclature

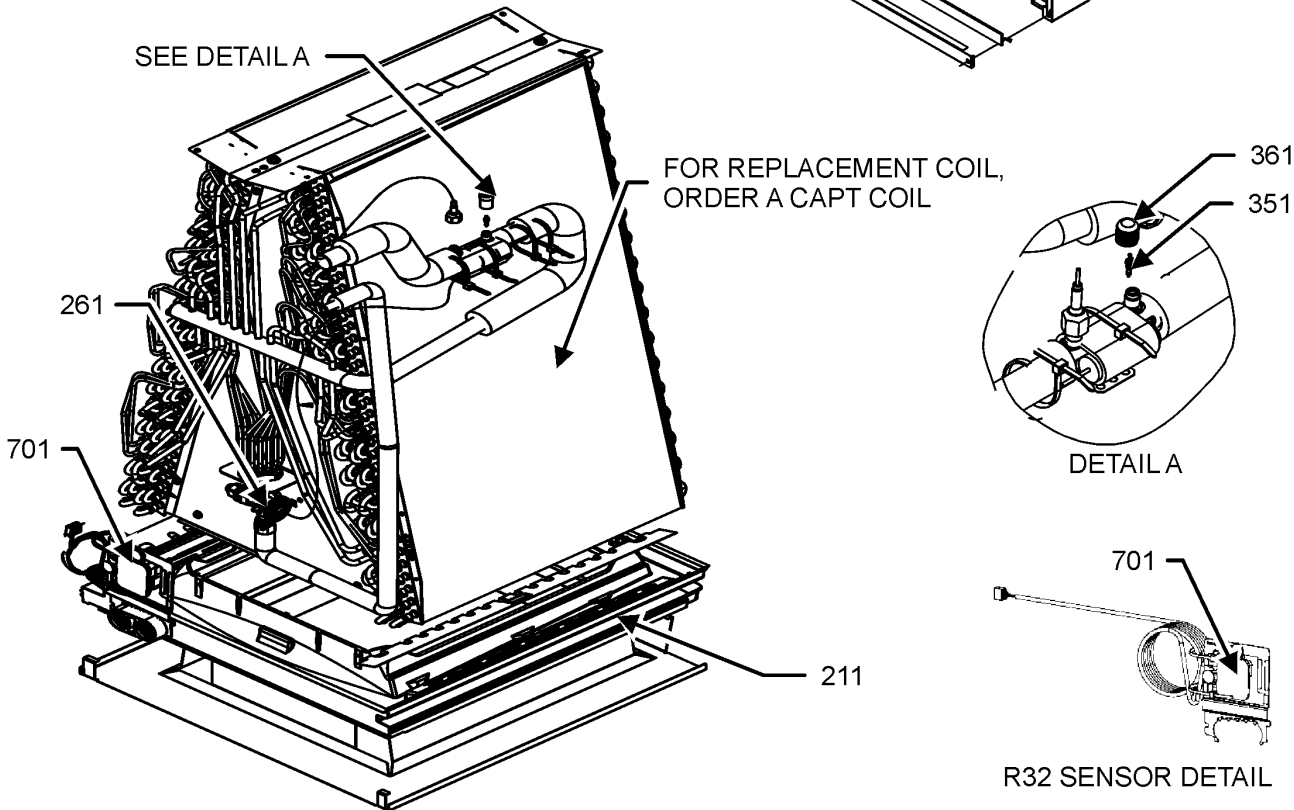
- M1 - CAPTA1818A3AA
- M2 - CAPTA1818B3AA
- M3 - CAPTA2422A3AA
- M4 - CAPTA2422B3AA
- M5 - CAPTA2422C3AA
- M6 - CAPTA3022A3AA
- M7 - CAPTA3022B3AA
- M8 - CAPTA3022C3AA
- M9 - CAPTA3026B3AA
- M10 - CAPTA3026C3AA
- M11 - CAPTA3626B3AA
- M12 - CAPTA3626C3AA
- M13 - CAPTA4230C3AA
- M14 - CAPTA4230D3AA
- M15 - CAPTA6030C3AA
- M16 - CAPTA6030D3AA
- M17 - CAPTA6034C3AA
- M18 - CAPTA6034D3AA

CASED E COIL ASSEMBLY

CASED COIL ASSEMBLY



COIL ASSEMBLY MAY DIFFER FROM WHAT IS SHOWN



CASED E COIL ASSEMBLY

Ref. Part No: No:	Description:	Ref. Part No: No:	Description:
Image 1:		Expanded Model Nomenclature	
91	0121D01124 RAIL DRAIN PAN, CASED COIL (QTY 2)	M1	- CAPTA1818A3AA
111	0121D00497 BLOCKOFF, DOWNFLOW	M2	- CAPTA1818B3AA
121	0121D00497 BLOCKOFF, DOWNFLOW	M3	- CAPTA2422A3AA
131	0121D00502PDG RAIL BOTTOM,CASED COIL,PAINTED (M1, M3, M6)	M4	- CAPTA2422B3AA
131	0121D00503PDG RAIL BOTTOM,CASED COIL,PAINTED (M2, M4, M7, M9, M11)	M5	- CAPTA2422C3AA
131	0121D00504PDG RAIL BOTTOM,CASED COIL,PAINTED (M5, M8, M10, M12, M13, M15, M17)	M6	- CAPTA3022A3AA
131	0121D00505PDG RAIL BOTTOM,CASED COIL,PAINTED (M14, M16, M18)	M7	- CAPTA3022B3AA
161	0121D00906PDG RAIL TOP PNT, CASED E COIL (M1, M3, M6)	M8	- CAPTA3022C3AA
161	0121D00907PDG RAIL TOP PNT, CASED E COIL (M2, M4, M7, M9, M11)	M9	- CAPTA3026B3AA
161	0121D00908PDG RAIL TOP PNT, CASED E COIL (M5, M8, M10, M12, M13, M15, M17)	M10	- CAPTA3026C3AA
161	0121D00909PDG RAIL TOP PNT, CASED E COIL (M14, M16, M18)	M11	- CAPTA3626B3AA
191	0154D00037 GASKET, DRAIN PAN	M12	- CAPTA3626C3AA
201	0121D00684PDG PNL ACCESS PNT, CASED E COIL (M13, M15)	M13	- CAPTA4230C3AA
201	0121D00685PDG PNL ACCESS PNT, CASED E COIL (M14, M16)	M14	- CAPTA4230D3AA
201	0121D00933PDG PNL ACCESS PNT, CASED E COIL (M1)	M15	- CAPTA6030C3AA
201	0121D00936PDG PNL ACCESS PNT, CASED E COIL (M3, M6)	M16	- CAPTA6030D3AA
201	0121D01126PDG PNL ACCESS PNT, CASED E COIL (M9, M11)	M17	- CAPTA6034C3AA
201	0121D01127PDG PNL ACCESS PNT, CASED E COIL (M4, M7)	M18	- CAPTA6034D3AA
201	0121D01135PDG PNL ACCESS PNT, CASED E COIL (M2)		
201	0121D00543PDG PNL ACCESS, PAINTED (M5, M8)		
201	0121D00597PDG PNL ACCESS, PAINTED (M10, M12)		
201	0121D01270PDG PNL, ACCESS PNT (M17)		
201	0121D01271PDG PNL, ACCESS PNT (M18)		
211	0161D00194 DRAIN PAN (M2, M4, M7, M9, M11)		
211	0161D00241 DRAIN PAN (M5, M8, M10, M12, M13, M15, M17)		
211	0161D00242 DRAIN PAN (M14, M16, M18)		
211	0161D00116 DRAIN PAN MAIN, E COIL (M1, M3, M6)		
261	0151R00265 TXV-FX-1.5T-ADJ VALVE (M1, M2, M3, M4, M5)		
261	0151R00272 TXV-FX-2T-ADJ VALVE (M6, M7, M8, M9, M10)		
261	0151R00273 TXV-FX-3T-ADJ VALVE (M11, M12)		
261	0151R00274 TXV-FX-4T-ADJ VALVE (M13, M14)		
261	0151R00275 TXV-FX-5T-ADJ VALVE (M15, M16, M17, M18)		
301	0154D00015 GROMMET, LIQUID TUBE (M10, M12, M13, M14, M15, M16, M17, M18)		
301	0154D00040 GROMMET, LIQUID TUBE (M1, M2, M3, M4, M5, M6, M7, M8, M9, M11)		
311	0154D00014 GROMMET SUCTION (M9, M10, M11, M12, M13, M14, M15, M16, M17, M18)		
311	0154D00005 GROMMET, SUCTION (M1, M2, M3, M4, M5, M6, M7, M8)		
351	0151M00104 VALVE CORE		
361	0163M00629 RED CAP WITH O-RING		
701	SER2A08012 SENSATA, R32 SENSOR		
NS	BT1369063 90 DEGREE STUB (M17, M18)		
NS	0151M00101 ACCESS VALVE FITTING (QTY 2)		
NS	0161A00134 PUSH PLUG (QTY 2)		
NS	0121A01738 SENSOR BRACKET		