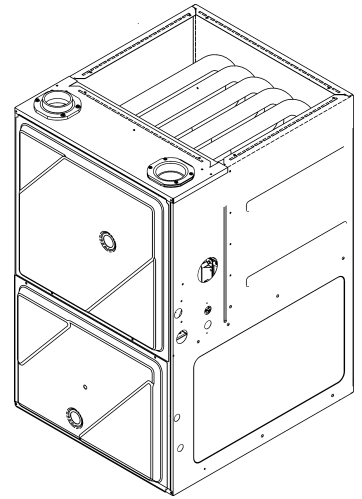


AR9T96 EEM Up Flow Furnace

AR9T960303ANAA
AR9T960303ANAB
AR9T960403ANAA
AR9T960403ANAB
AR9T960603ANAA
AR9T960603BNAA
AR9T960603BNAB
AR9T960803BNAA
AR9T960804CNAA
AR9T960804CNAB
AR9T961004CNAA
AR9T961004CNAB
AR9T961005CNAA
AR9T961005CNAB
AR9T961205DNAA



Amana® is a registered trademark of Maytag Corporation or its related companies and is used under license. All rights reserved.

This manual is to be used by qualified technicians only.

This manual replaces RP-A2534

© 2024 - 2025 Daikin Comfort Technologies Manufacturing, Inc. ♦ 19001 Kermier Rd. ♦ Waller, TX 77484

Important Information

Index

Functional Parts List	3
Illustration and Parts	4 - 11

Views shown are for parts illustrations only, not servicing procedures.

Text Codes:

AR - As Required

NA - Not Available

NS - Not Shown

00000000 - See Note

QTY - Quantity Example (QTY 3) (If Quantity not shown, Quantity = 1)

M - Model Example (M1) (If M Code not shown, then part is used on all Models)

Expanded Model Nomenclature:

Example
M1 - Model#1
M2 - Model#2
M3 - Model#3

Daikin Comfort Technologies Manufacturing , Inc. is not responsible for personal injury or property damage resulting from improper service. Review all service information before beginning repairs.

Warranty service must be performed by an authorized technician, using authorized factory parts. If service is required after the warranty expires, Daikin Comfort Technologies Manufacturing , Inc. also recommends contacting an authorized technician and using authorized factory parts.

Daikin Comfort Technologies Manufacturing , Inc. reserves the right to discontinue, or change at any time, specifications or designs without notice or without incurring obligations.

For assistance within the U.S.A. contact:
Homeowner Support
Daikin Comfort Technologies Manufacturing , Inc.
19001 Kermier Road
Waller, Texas 77484
877-254-4729-Telephone
713-863-2382-Facsimile

For assistance outside the U.S.A. contact:
International Division
Daikin Comfort Technologies Manufacturing , Inc.
19001 Kermier Road
Waller, Texas 77484
713-861-2500-Telephone
713-863-2382-Facsimile

Functional Parts

Part

No: Description:

Part No:	Description:	Part No:	Description:
0130F00038	AUX LIMIT - LT BLUE 120° (QTY 2)	0130F00643	PRESSURE SWITCH (M1, M2)
0163F00017	BECKETT BURNER (QTY 2)	0130F00443	SWITCH, PRESSURE (M9, M10, M13, M14)
0271F00607	BLOWER SHELL & WHEEL ASSY (M1, M2, M3, M4, M5)	0130F00434	SWITCH, PRESSURE (M11, M12)
0130F00010	FLAME SENSOR	0130F00436	SWITCH, PRESSURE (M8)
0151M00027	GAS VALVE	0130F00445	SWITCH, PRESSURE (M15)
0257F20101	HEAT EXCHANGER ASSY (M8)	0130F00435	SWITCH, PRESSURE (M6, M7)
0257F20100	HEAT EXCHANGER ASSY (M5)	10690402	SWITCH-INTERLOCK
0257F20099	HEAT EXCHANGER ASSY (M3, M4)	0130M00140	TRANSFORMER, 120V TO 24V,40VA
0257F20098	HEAT EXCHANGER ASSY (M1, M2)		
0257F20092	HEAT EXCHANGER ASSY (M15)		
0257F20089	HEAT EXCHANGER ASSY (M9, M10)		
0257F20087	HEAT EXCHANGER ASSY (M6, M7)		
0257F20103	HEAT EXCHANGER ASSY (M13, M14)		
0257F20102	HEAT EXCHANGER ASSY (M11, M12)		
0171M00007	ID BLOWER, 2 Stg (M1, M2, M3, M4, M5)		
0130F00008	IGNITOR-SINI 17 SEC		
0130F00036	LIMIT, PRIMARY (M15)		
20162904	LIMIT, PRIMARY (M8, M9, M10)		
20162903	LIMIT, PRIMARY (M1, M2, M3, M4, M5, M13, M14)		
20162906	LIMIT, PRIMARY (M6, M7, M11, M12)		
0130F00123	LIMIT, RESET MAN (M8)		
10123538	LIMIT-MAN-LIGHT GREEN (M1, M2, M3, M4)		
10123527	LIMIT-RESET MAN-BROWN (M15)		
10123534	LIMIT-RESET MAN-ORANGE (M11, M12, M13, M14)		
10123539	LIMIT-RESET MAN-ORANGE (M6, M7, M9, M10)		
10123517	LIMIT-RESET MAN-WHITE (M5)		
0271F00507	MORRISON 11 X 10 BLOWER (M9, M10, M11, M12, M13, M14)		
0271F00508	MORRISON 11 X 11 BLOWER (M15)		
0271F00506	MORRISON 11 X 8 BLOWER (M6, M7, M8)		
0131F00334M	MOTOR 1 HP W/O CONTROLLER (M11, M12, M13, M14, M15)		
0131F00333M	MOTOR 1 HP W/O CONTROLLER (M9, M10)		
0131F00332M	MOTOR 1/2 HP W/O CONTROLLER (M1, M2, M3, M4, M5, M6, M7, M8)		
0131F00232	MOTOR PROGRAM (M1, M2)		
0131F00239	MOTOR PROGRAM (M13, M14)		
0131F00240	MOTOR PROGRAM (M15)		
0131F00237	MOTOR PROGRAM (M9, M10)		
0131F00236	MOTOR PROGRAM (M8)		
0131F00235	MOTOR PROGRAM (M6, M7)		
0131F00233	MOTOR PROGRAM (M3, M4)		
0131F00238	MOTOR PROGRAM (M11, M12)		
0131F00234	MOTOR PROGRAM (M5)		
0171M00002	MOTOR-ID, BLOWER (M6, M7, M8, M9, M10, M11, M12, M13, M14, M15)		
PCBBF302V010	PCB, CIRCUIT BOARD		
0130F00429	PRESSURE SWITCH (M6, M7, M8, M9, M10, M11, M12, M13, M14, M15)		
0130F00646	PRESSURE SWITCH (M5)		
0130F00647	PRESSURE SWITCH (M1, M2, M3, M4)		
0130F00644	PRESSURE SWITCH (M3, M4)		
0130F00645	PRESSURE SWITCH (M5)		

SPECIAL PARTS

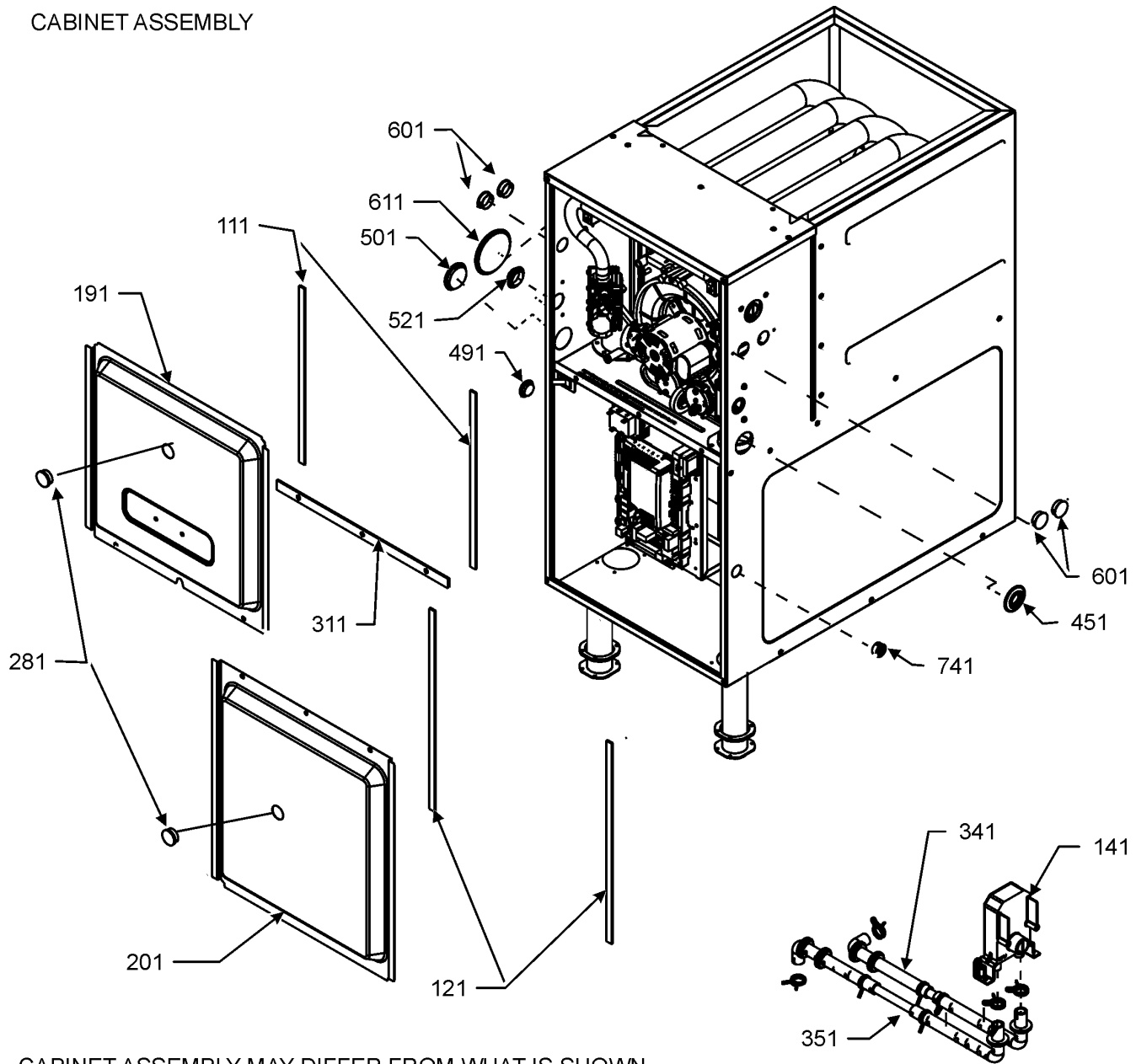
0161M00032 NAMEPLATE, AMANA

Expanded Model Nomenclature

M1 - AR9T960303ANAA
M2 - AR9T960303ANAB
M3 - AR9T960403ANAA
M4 - AR9T960403ANAB
M5 - AR9T960603ANAA
M6 - AR9T960603BNAA
M7 - AR9T960603BNAB
M8 - AR9T960803BNAA
M9 - AR9T960804CNAA
M10 - AR9T960804CNAB
M11 - AR9T961004CNAA
M12 - AR9T961004CNAB
M13 - AR9T961005CNAA
M14 - AR9T961005CNAB
M15 - AR9T961205DNAA

Cabinet Assembly

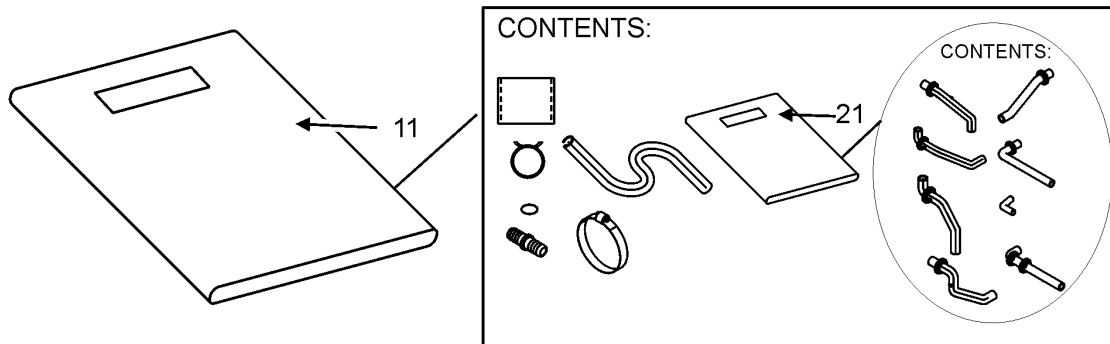
CABINET ASSEMBLY



CABINET ASSEMBLY MAY DIFFER FROM WHAT IS SHOWN

DRAIN TRAP ASSEMBLY

DRAIN KIT ASSEMBLY

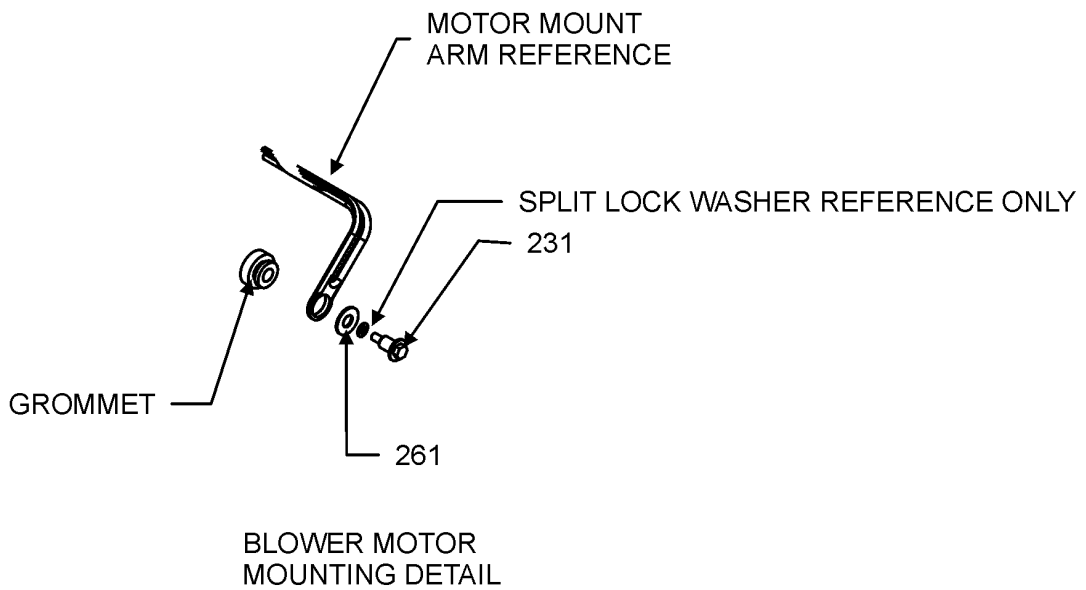
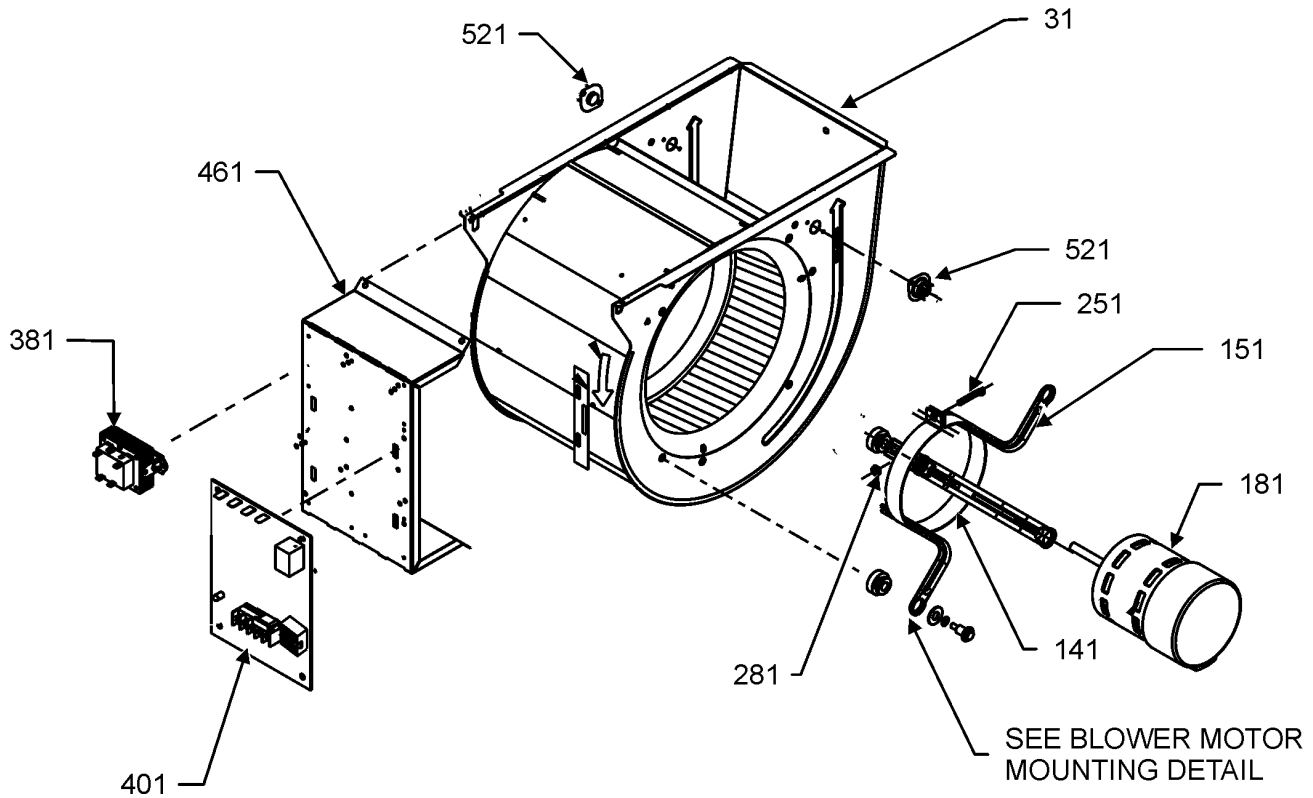


Cabinet Assembly

Ref. Part No:	Ref. Part No:	Description:	Description:
Image 1:		Expanded Model Nomenclature	
11	0270F20409	DRAIN KIT ASSY	M1 - AR9T960303ANAA
21	0270F20409	DRAIN KIT ASSY	M2 - AR9T960303ANAB
111	0154F00024	GASKET (QTY 2)	M3 - AR9T960403ANAA
121	0154F00025	GASKET (QTY 2)	M4 - AR9T960403ANAB
141	0161F00046	DRAIN TRAP	M5 - AR9T960603ANAA
191	0121F00338LG	DOOR ACCESS 21" PNT (M9, M10, M11, M12, M13, M14)	M6 - AR9T960603BNAA
191	0121F00337LG	DOOR, ACCESS 17.5" PNT (M6, M7, M8)	M7 - AR9T960603BNAB
191	0121F00339LG	DOOR, ACCESS 24.5" PNT (M15)	M8 - AR9T960803BNAA
191	0121F00673LG	PNT, DOOR, ACCESS 14" (M1, M2, M3, M4, M5)	M9 - AR9T960804CNA A
201	0121F00340LG	DOOR, BLOWER 17.5" PNT (M6, M7, M8)	M10 - AR9T960804CNAB
201	0121F00341LG	DOOR, BLOWER 21" PNT (M9, M10, M11, M12, M13, M14)	M11 - AR9T961004CNA A
201	0121F00342LG	DOOR, BLOWER 24.5" PNT (M15)	M12 - AR9T961004CNAB
201	0121F00671LG	PNT,DOOR, BLOWER 14" (M1, M2, M3, M4, M5)	M13 - AR9T961005CNA A
281	B1392139	VIEW PORT BUSHING (QTY 2)	M14 - AR9T961005CNAB
311	0154F00020	GASKET, DECK (M6, M7, M8)	M15 - AR9T961205DNAA
311	0154F00021	GASKET, DECK (M9, M10, M11, M12, M13, M14)	
311	0154F00022	GASKET, DECK (M15)	
311	0154F00063	GASKET, DECK (M1, M2, M3, M4, M5)	
341	0164F00017	HOSE-ELBOW/TRAP	
351	0164F00020	DRAIN HOSE (M1, M2, M3, M4, M5)	
351	0164F00006	HOSE, COVER/TRAP (M15)	
351	0164F00024	HOSE, COVER/TRAP (M6, M7, M8, M9, M10, M11, M12, M13, M14)	
451	M0501301	PIPE GROMMET	
491	M0570808	BUTTON PLUG (QTY 3)	
501	M0570806	BUTTON PLUG	
521	0161M00027	HOLE PLUG	
601	B1392021	PLASTIC PLUG, 1" (2713-BLK) (QTY 4)	
611	0163M00460	CLAMP-HOSE (QTY 2)	
741	B1392104	UNIVERSAL BUSHING UB 875	
NS	M0310345	BUTTON PLUG (QTY 2)	
NS	M0570807	BUTTON PLUG	
NS	M0209730	DECORATIVE SCREW (QTY 3)	
NS	0154F00041	FRESH AIR GASKET	
NS	0154F00065	GASKET (M1, M2, M3, M4, M5)	
NS	20179307	GASKET (M15)	
NS	20179309	GASKET (M6, M7, M8)	
NS	20179310	GASKET (M9, M10, M11, M12, M13, M14)	
NS	0163M00319	HEX NUT INSERT (QTY 3)	
NS	0161M00032	NAMEPLATE, AMANA	
NS	M0273904	RETAINER SCREW (QTY 3)	

Blower Assembly

BLOWER ASSEMBLY



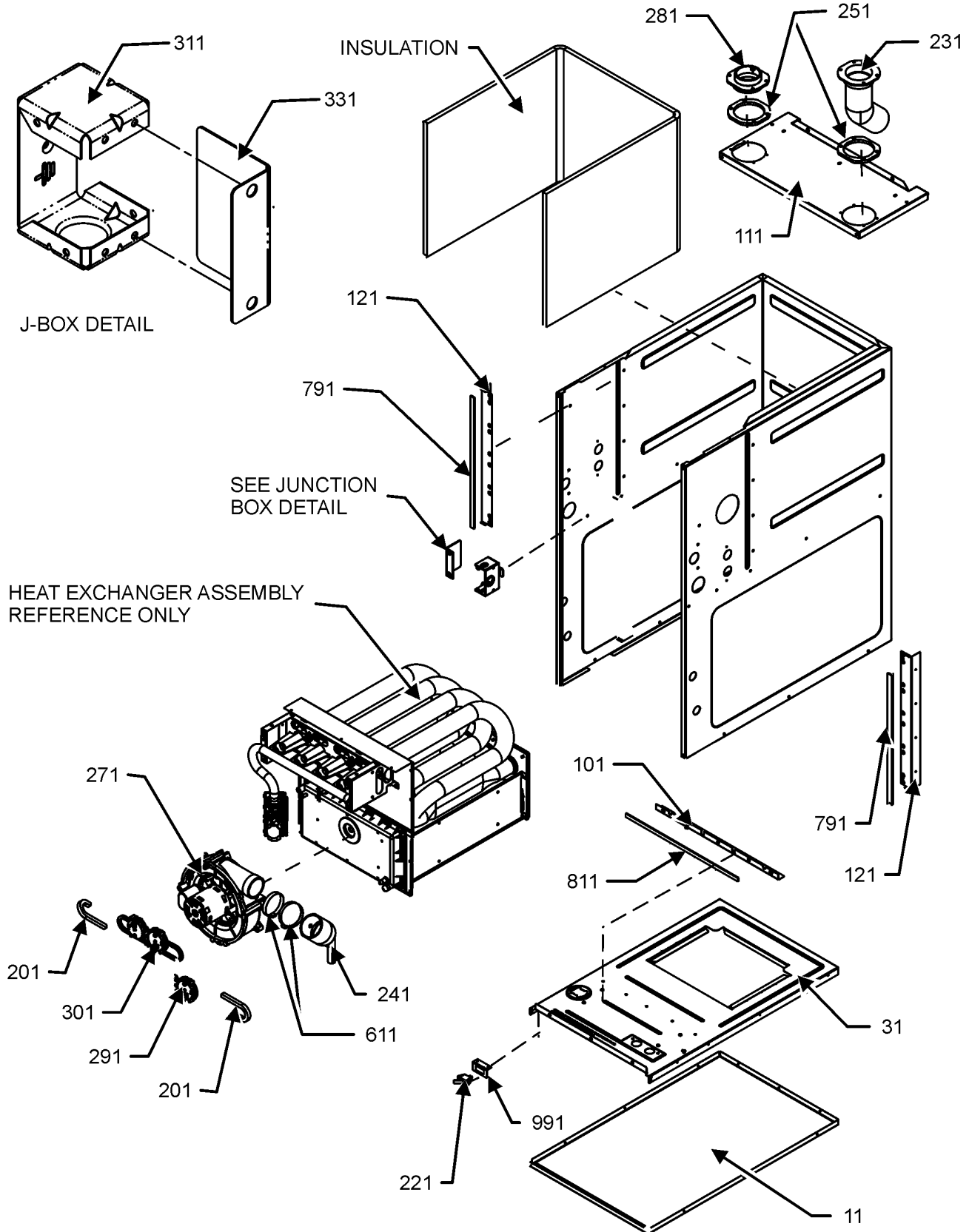
BLOWER ASSEMBLY MAY DIFFER FROM WHAT IS SHOWN

Blower Assembly

Ref. Part No:	No:	Description:	Ref. Part No:	No:	Description:
Image 1:			Expanded Model Nomenclature		
31	0271F00607	BLOWER SHELL & WHEEL ASSY (M1, M2, M3, M4, M5)	M1 -	AR9T960303ANAA	
31	0271F00507	MORRISON 11 X 10 BLOWER (M9, M10, M11, M12, M13, M14)	M2 -	AR9T960303ANAB	
31	0271F00508	MORRISON 11 X 11 BLOWER (M15)	M3 -	AR9T960403ANAA	
31	0271F00506	MORRISON 11 X 8 BLOWER (M6, M7, M8)	M4 -	AR9T960403ANAB	
141	0121M00039	MOUNT BAND, MOTOR (HEAVY DUTY)	M5 -	AR9T960603ANAA	
151	0163M00538	MOUNT ARM, MOTOR (QTY 3)	M6 -	AR9T960603BNAA	
181	0131F00333M	MOTOR 1 HP W/O CONTROLLER (M9, M10)	M7 -	AR9T960603BNAB	
181	0131F00334M	MOTOR 1 HP W/O CONTROLLER (M11, M12, M13, M14, M15)	M8 -	AR9T960803BNAA	
181	0131F00332M	MOTOR 1/2 HP W/O CONTROLLER (M1, M2, M3, M4, M5, M6, M7, M8)	M9 -	AR9T960804CNAA	
181	0131F00232	MOTOR PROGRAM (M1, M2)	M10 -	AR9T960804CNAB	
181	0131F00233	MOTOR PROGRAM (M3, M4)	M11 -	AR9T961004CNAA	
181	0131F00234	MOTOR PROGRAM (M5)	M12 -	AR9T961004CNAB	
181	0131F00235	MOTOR PROGRAM (M6, M7)	M13 -	AR9T961005CNAA	
181	0131F00236	MOTOR PROGRAM (M8)	M14 -	AR9T961005CNAB	
181	0131F00237	MOTOR PROGRAM (M9, M10)	M15 -	AR9T961205DNAA	
181	0131F00238	MOTOR PROGRAM (M11, M12)	To replace the Shaft end of motor order:		
181	0131F00239	MOTOR PROGRAM (M13, M14)	0131F00332M	MOTOR 1/2 HP W/O CONTROLLER	
181	0131F00240	MOTOR PROGRAM (M15)	0131F00333M	MOTOR 3/4 HP W/O CONTROLLER	
231	M0250565	TC SCREW 1.25" (QTY 3)	0131F00334M	MOTOR 1 HP W/O CONTROLLER	
251	0163M00320	HEX HEAD ALL THREAD TAP BOLT			
261	B1392918	FLAT WASHER (QTY 3)			
281	B1393800	LOCKNUT, NYLON, INSERT 1/4, 20			
381	0130M00140	TRANSFORMER, 120V TO 24V,40VA			
401	PCBBF302V010	PCB, CIRCUIT BOARD			
461	0121F00802	MOUNTING PANEL, CONTROLS			
521	0130F00038	AUX LIMIT - LT BLUE 120° (QTY 2)			
NS	B1392021	1" PLASTIC PLUG (QTY 4)			
NS	0159F00160	CTM, MOTOR HARNESS			
NS	0259F00024	HARNESS - BLOWER			
NS	M0282015	KEPS NUT (M11, M12, M13, M14, M15)			
NS	0163M00279	SCREW #6 X .375 SELF DRILL (M11, M12, M13, M14, M15)			
NS	B1392820	SLIT LOCK WASHER (M11, M12, M13, M14, M15)			

Chassis Assembly

CHASSIS ASSEMBLY



CHASSIS ASSEMBLY MAY DIFFER FROM WHAT IS SHOWN

Chassis Assembly

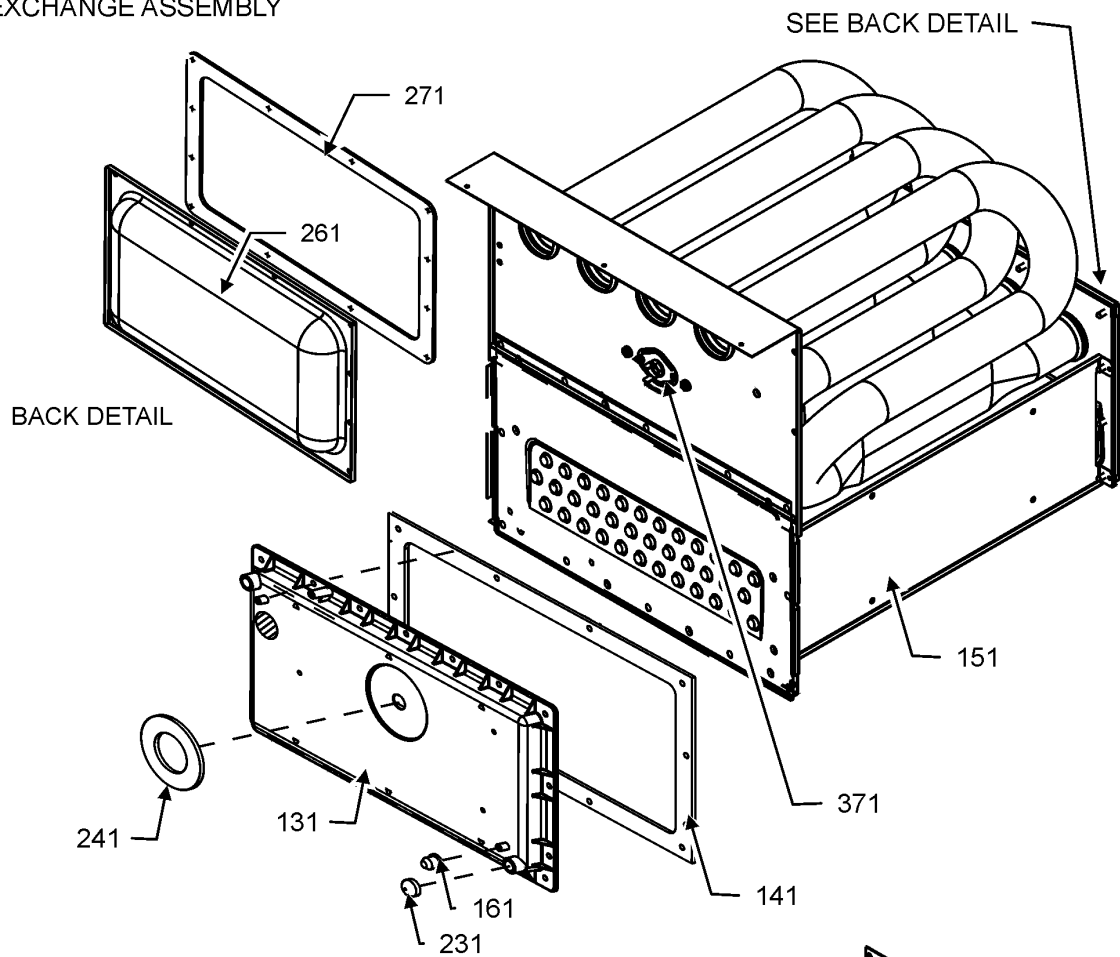
Ref. Part No:	Ref. Part No:	Description:	Description:
Image 1:		Image 1:	
11	0121F00530DG	BASEPAN, 17.5 PNT (M6, M7, M8)	NS 0160F00015 INSULATION, HT EXCHANGER 17.5" (M6, M7, M8)
11	0121F00531DG	BASEPAN, 21 PNT (M9, M10, M11, M12, M13, M14)	NS 0160F00016 INSULATION, HT EXCHANGER 21" (M9, M10, M11, M12, M13, M14)
11	0121F00532DG	BASEPAN, 24.5 PNT (M15)	
11	0121F00664DG	BASEPAN, 14 PNT (M1, M2, M3, M4, M5)	NS 0160F00017 INSULATION, HT EXCHANGER 24.5" (M15)
31	0121F00766	DECK- BLOWER 17.5" (M6, M7, M8)	NS 0159F20018 WIRE HARNESS (M5, M6, M7, M8, M9, M10, M11, M12, M13, M14, M15)
31	0121F00767	DECK- BLOWER 21" (M9, M10, M11, M12, M13, M14)	NS 0159F20021 WIRE HARNESS (M1, M2, M3, M4)
31	0121F00768	DECK- BLOWER 24.5" (M15)	
31	0121F00663	DECK, BLOWER 14" (M1, M2, M3, M4, M5)	
101	0121F00314	ANGLE, DECK (M6, M7, M8)	
101	0121F00315	ANGLE, DECK (M9, M10, M11, M12, M13, M14)	
101	0121F00316	ANGLE, DECK (M15)	
101	0121F00661	ANGLE, DECK (M1, M2, M3, M4, M5)	
111	0121F20175DG	PNL, FURNACE TOP (M1, M2, M3, M4, M5)	
111	0121F20176DG	PNL, FURNACE TOP (M6, M7, M8)	
111	0121F20177DG	PNL, FURNACE TOP (M9, M10, M11, M12, M13, M14)	
111	0121F20178DG	PNL, FURNACE TOP (M15)	
121	0121F00313	SIDE ANGLE (QTY 2)	
201	0164M20000	HOSE, PRESSURE (M6, M7, M8, M9, M10, M11, M12, M13, M14, M15)	
201	0164M20001	HOSE, PRESSURE (M1, M2, M3, M4, M5)	
221	10690402	FLUTE-INTERLOCK	
231	0164F20005	FLUE PIPE	
241	0164F00029	ELBOW-FLUE, UPFLOW	
271	0171M00007	ID BLOWER, 2 Stg (M1, M2, M3, M4, M5)	
271	0171M00002	MOTOR-ID, BLOWER (M6, M7, M8, M9, M10, M11, M12, M13, M14, M15)	
281	0161F00037	COUPLING	
291	0130F00429	PRESSURE SWITCH (M6, M7, M8, M9, M10, M11, M12, M13, M14, M15)	
291	0130F00646	PRESSURE SWITCH (M5)	
291	0130F00647	PRESSURE SWITCH (M1, M2, M3, M4)	
301	0130F00643	PRESSURE SWITCH (M1, M2)	
301	0130F00644	PRESSURE SWITCH (M3, M4)	
301	0130F00645	PRESSURE SWITCH (M5)	
301	0130F00434	SWITCH, PRESSURE (M11, M12)	
301	0130F00435	SWITCH, PRESSURE (M6, M7)	
301	0130F00436	SWITCH, PRESSURE (M8)	
301	0130F00443	SWITCH, PRESSURE (M9, M10, M13, M14)	
301	0130F00445	SWITCH, PRESSURE (M15)	
311	0121F20060	BOX, JUNCTION 90%	
331	0121F20061	BOX, JUNCTION 80%	
611	0163M00460	CLAMP-HOSE (QTY 2)	
701	M0326804	TUBE PLUG	
791	0154F00015	GASKET (QTY 2)	
811	0154F00014	GASKET (M6, M7, M8)	
811	0154F00016	GASKET (M9, M10, M11, M12, M13, M14)	
811	0154F00064	GASKET (M1, M2, M3, M4, M5)	
811	20194607	GASKET (M15)	
991	0121F00389	BRACKET, DOOR SWITCH	
NS	0154F00041	FRESH AIR GASKET	
NS	0164M20006	HOSE, PRESSURE (M1, M2, M3, M4, M5)	
NS	0160F00025	INSULATION, HT EXCHANGER (M1, M2, M3, M4, M5)	

Expanded Model Nomenclature

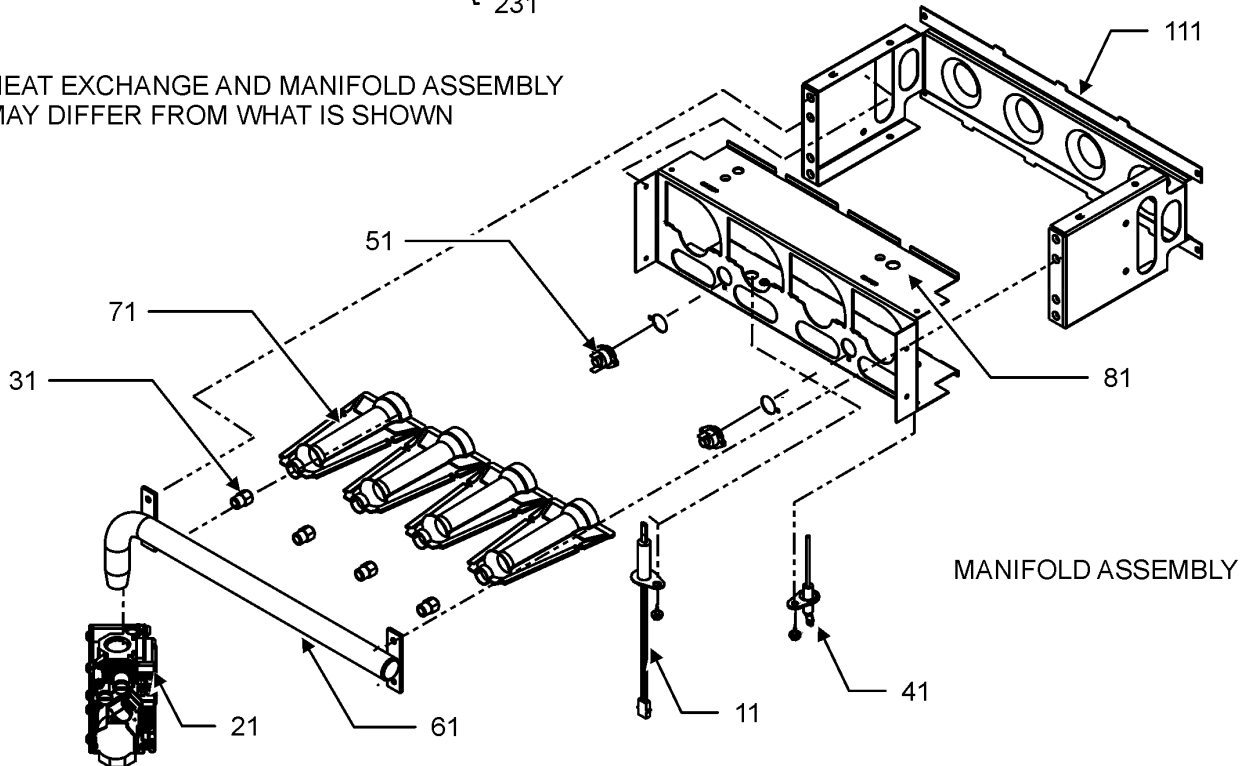
M1 - AR9T960303ANAA
M2 - AR9T960303ANAB
M3 - AR9T960403ANAA
M4 - AR9T960403ANAB
M5 - AR9T960603ANAA
M6 - AR9T960603BNAA
M7 - AR9T960603BNAB
M8 - AR9T960803BNAA
M9 - AR9T960804CNAA
M10 - AR9T960804CNAB
M11 - AR9T961004CNAA
M12 - AR9T961004CNAB
M13 - AR9T961005CNAA
M14 - AR9T961005CNAB
M15 - AR9T961205DNAA

Heat Exchange and Manifold Assembly

HEAT EXCHANGE ASSEMBLY



HEAT EXCHANGE AND MANIFOLD ASSEMBLY
MAY DIFFER FROM WHAT IS SHOWN



Heat Exchange and Manifold Assembly

Ref. Part No:	Ref. Part No:	Description:	Description:
Image 1:		Image 1:	
11	0130F00008	IGNITOR-SINI 17 SEC	151 0257F20103 HEAT EXCHANGER ASSY (M13, M14)
21	0151M00027	GAS VALVE	161 M0326804 TUBE PLUG
31	0163F00019	ORIFICE (M1, M2)	231 A1781105 CAP-VINYL .500
31	10716005	ORIFICE (M3, M4, M5, M6, M7, M8, M9, M10, M11, M12, M13, M14, M15)	241 0154F00043 GASKET ID BLOWER
41	0130F00010	FLAME SENSOR	261 0121F00317 COVER, REAR (M6, M7, M8)
51	0130F00123	LIMIT, RESET MAN (M8)	261 0121F00318 COVER, REAR (M9, M10, M11, M12, M13, M14)
51	10123538	LIMIT-MAN-LIGHT GREEN (M1, M2, M3, M4)	261 0121F00319 COVER, REAR (M15)
51	10123527	LIMIT-RESET MAN-BROWN (M15)	261 0121F00670 COVER, REAR (M1, M2, M3, M4, M5)
51	10123534	LIMIT-RESET MAN-ORANGE (M11, M12, M13, M14)	271 0154F00058 GASKET REAR CVR (M1, M2, M3, M4, M5)
51	10123539	LIMIT-RESET MAN-ORANGE (M6, M7, M9, M10)	271 0154F00037 GASKET, REAR CVR (M6, M7, M8)
51	10123517	LIMIT-RESET MAN-WHITE (M5)	271 0154F00038 GASKET, REAR CVR (M9, M10, M11, M12, M13, M14)
61	0163F00007	MANIFOLD (M1, M2, M3, M4)	271 0154F00039 GASKET, REAR CVR (M15)
61	0163F00008	MANIFOLD (M6, M7)	371 0130F00036 LIMIT, PRIMARY (M15)
61	0163F00009	MANIFOLD (M9, M10)	371 20162903 LIMIT, PRIMARY (M1, M2, M3, M4, M5, M13, M14)
61	0163F00010	MANIFOLD (M11, M12, M13, M14)	371 20162904 LIMIT, PRIMARY (M8, M9, M10)
61	0163F00011	MANIFOLD (M15)	371 20162906 LIMIT, PRIMARY (M6, M7, M11, M12)
61	0163F00014	MANIFOLD (M8)	NS 0154F00041 GASKET FRESH AIR
61	0163F00037	MANIFOLD, 3B (M5)	NS 0121F00582 INSULATION, RETAINER (M1, M2, M3, M4, M5)
71	0163F00017	BECKETT BURNER (QTY 2)	NS 0121F00583 INSULATION, RETAINER (M6, M7, M8)
81	0121F00456	BRACKET-BURNER 2 (M1, M2, M3, M4)	NS 0121F00584 INSULATION, RETAINER (M9, M10, M11, M12, M13, M14)
81	0121F00455	BRACKET-BURNER 3 (M5, M6, M7)	NS 0121F00585 INSULATION, RETAINER (M15)
81	0121F00454	BRACKET-BURNER 4 (M8, M9, M10)	NS 0121F00540 SHEILD, BURNER (M6, M7)
81	0121F00453	BRACKET-BURNER 5 (M11, M12, M13, M14)	NS 0121F00541 SHEILD, BURNER (M8, M9, M10)
81	0121F00451	BRACKET-BURNER 6 (M15)	NS 0121F00542 SHEILD, BURNER (M11, M12, M13, M14)
111	0121F00469	ORIFICE BRACKET-BURNER 2 (M1, M2, M3, M4)	NS 0121F00543 SHEILD, BURNER (M15)
111	0121F00468	ORIFICE BRACKET-BURNER 3 (M5, M6, M7)	NS 0121F00758 SHEILD, BURNER (M5)
111	0121F00467	ORIFICE BRACKET-BURNER 4 (M8, M9, M10)	NS 0121F00755 SHIELD, BURNER (M1, M2, M3, M4)
111	0121F00466	ORIFICE BRACKET-BURNER 5 (M11, M12, M13, M14)	NS 0121F00355 SHIELD, COIL (QTY 2)
111	0121F00465	ORIFICE BRACKET-BURNER 6 (M15)	
131	0161F00072	COVER FRONT (M13, M14)	
131	0161F00024	COVER, FRONT (M8)	
131	0161F00030	COVER, FRONT (M9, M10)	
131	0161F00054	COVER, FRONT (M6, M7)	
131	0161F00063	COVER, FRONT (M15)	
131	0161F00081	COVER, FRONT (M1, M2)	
131	0161F00082	COVER, FRONT (M3, M4)	
131	0161F00083	COVER, FRONT (M5)	
131	0161F00065	COVER,FRONT (M11, M12)	
141	0154F00026	GASKET FRONT COVER (M6, M7, M8)	
141	0154F00030	GASKET FRONT COVER (M9, M10, M11, M12, M13, M14)	
141	0154F00034	GASKET FRONT COVER (M15)	
141	0154F00059	GASKET FRONT COVER	
141	0154F00059	GASKET FRONT COVER	
141	0154F00059	GASKET FRONT COVER	
141	0154F00062	GASKET FRONT COVER (M1, M2, M3, M4, M5)	
151	0257F20087	HEAT EXCHANGER ASSY (M6, M7)	
151	0257F20089	HEAT EXCHANGER ASSY (M9, M10)	
151	0257F20092	HEAT EXCHANGER ASSY (M15)	
151	0257F20098	HEAT EXCHANGER ASSY (M1, M2)	
151	0257F20099	HEAT EXCHANGER ASSY (M3, M4)	
151	0257F20100	HEAT EXCHANGER ASSY (M5)	
151	0257F20101	HEAT EXCHANGER ASSY (M8)	
151	0257F20102	HEAT EXCHANGER ASSY (M11, M12)	
Expanded Model Nomenclature			
M1 - AR9T960303ANAA M2 - AR9T960303ANAB M3 - AR9T960403ANAA M4 - AR9T960403ANAB M5 - AR9T960603ANAA M6 - AR9T960603BNAA M7 - AR9T960603BNAB M8 - AR9T960803BNAA M9 - AR9T960804CNAA M10 - AR9T960804CNAB M11 - AR9T961004CNAA M12 - AR9T961004CNAB M13 - AR9T961005CNAA M14 - AR9T961005CNAB M15 - AR9T961205DNAA			