

DFC 4 Ton Direct Drive Commercial Package Cooling Unit

DFC0481D000001SAA
DFC0483D000001SAA
DFC0484D000001SAA
DFC0487D000001SAA



This manual is to be used by qualified technicians only.

Important Information

Index

| | |
|------------------------------|--------|
| Functional Parts List | 3 |
| Illustration and Parts | 4 - 15 |

Views shown are for parts illustrations only, not servicing procedures.

Text Codes:

AR - As Required

NA - Not Available

NS - Not Shown

00000000 - See Note

QTY - Quantity Example (QTY 3) (If Quantity not shown, Quantity = 1)

M - Model Example (M1) (If M Code not shown, then part is used on all Models)

Expanded Model Nomenclature:

| |
|--------------|
| Example |
| M1 - Model#1 |
| M2 - Model#2 |
| M3 - Model#3 |

Daikin Comfort Technologies Manufacturing , L.P. is not responsible for personal injury or property damage resulting from improper service. Review all service information before beginning repairs.

Warranty service must be performed by an authorized technician, using authorized factory parts. If service is required after the warranty expires, Daikin Comfort Technologies Manufacturing , L.P. also recommends contacting an authorized technician and using authorized factory parts.

Daikin Comfort Technologies Manufacturing , L.P. reserves the right to discontinue, or change at any time, specifications or designs without notice or without incurring obligations.

For assistance within the U.S.A. contact:
Equipment Support
Daikin Comfort Technologies Manufacturing , L.P.
19001 Kermier Road
Waller, Texas 77484
855-770-5678-Telephone
713-863-2382-Facsimile

For assistance outside the U.S.A. contact:
International Division
Daikin Comfort Technologies Manufacturing , L.P.
19001 Kermier Road
Waller, Texas 77484
713-861-2500-Telephone
713-863-2382-Facsimile

Functional Parts

Part

No: Description:

| | |
|----------------|---|
| 0150L00003 | BLADE-FAN 22" ALUM. CCW 30 DEG |
| CAP100000440LA | CAP 10 MFD/440V/OVAL (M3) |
| CAP100000370LA | CAP, 10 MFD/370V/OVAL (M2) |
| CAP100450440CS | CAP, 10/45 MFD/ 440V DUAL RD (M1) |
| CAP050000440LA | CAPACITOR (M4) |
| ZP39K5ETFD130 | COMP, 39000, 460/60/3 (M3) |
| ZP39K5ETF5130 | COMP, 39000,200/230/60/3 (M2) |
| ZP39K5ETFE130 | Comp, 39000,575/60/3 (M4) |
| ZP39K5EPFV130 | COMP,39000,208/230/60/1 (M1) |
| CONT2P025024V | CONT, 2 POLE, 25 AMP, 24 VAC (M1, M2) |
| CONT2P040024V | CONT, 2 POLE, 40 AMP, 24 VAC (M1) |
| CONT3P025024V | CONT, 3 POLE, 25 AMP, 24 VAC (M3, M4) |
| CONT3P025024V | CONT, 3 POLE, 25 AMP, 24 VAC (M3, M4) |
| CONT3P030024V | CONT, 3 POLE, 30 AMP, 24 VAC (M2) |
| 0130M00178 | DPDT RELAY 24VAC |
| 0131M00430 | MOTOR, 1/3 HP, 1 SP, 6 PL (M1, M2) |
| 0131M00774 | MOTOR, 1/3 HP, OD (M3) |
| 0131M00858 | MOTOR, 1/3 HP, OD (M4) |
| 0131L00364 | PROGRAM, MOTOR (M3, M4) |
| 0131L00363 | PROGRAM, MOTOR (M1, M2) |
| 0130M00730 | SWITCH, HIGH PRESSURE |
| 0130M00732 | SWITCH, LOW PRESSURE |
| 0130M00038 | TERMINAL BOARD |
| B1370772 | TIME DELAY (ICM) 180 SEC DEL |
| 0130M00598 | TRANSFMR, 75VA, 575V TO 24V (M4) |
| 0130M00696 | TRANSFORMER 208-240V TO 24V,75 (M1, M2) |
| 0130M00595 | TRANSFORMER, 75VA, 480V TO 24V (M3) |

SPECIAL PARTS

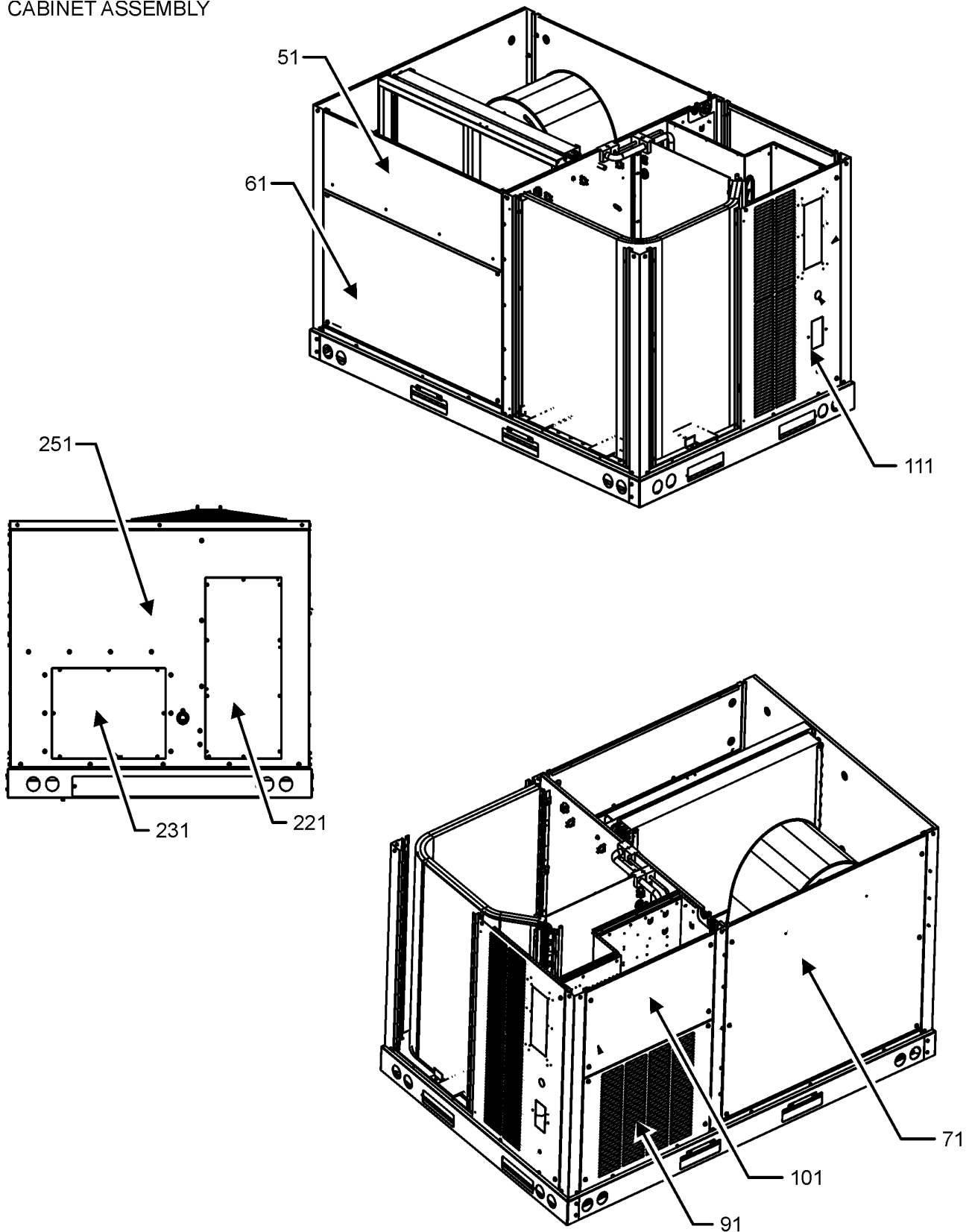
RP-FIOPSC* ACCESSORY RP MANUAL

Expanded Model Nomenclature

| |
|------------------------|
| M1 - DFC0481D000001SAA |
| M2 - DFC0483D000001SAA |
| M3 - DFC0484D000001SAA |
| M4 - DFC0487D000001SAA |

CABINET ASSEMBLY

CABINET ASSEMBLY



CABINET ASSEMBLY MAY DIFFER FROM WHAT IS SHOWN

CABINET ASSEMBLY

| Ref. Part No: No: | Description: | Ref. Part No: No: | Description: |
|------------------------------|---------------------|------------------------------|---------------------|
|------------------------------|---------------------|------------------------------|---------------------|

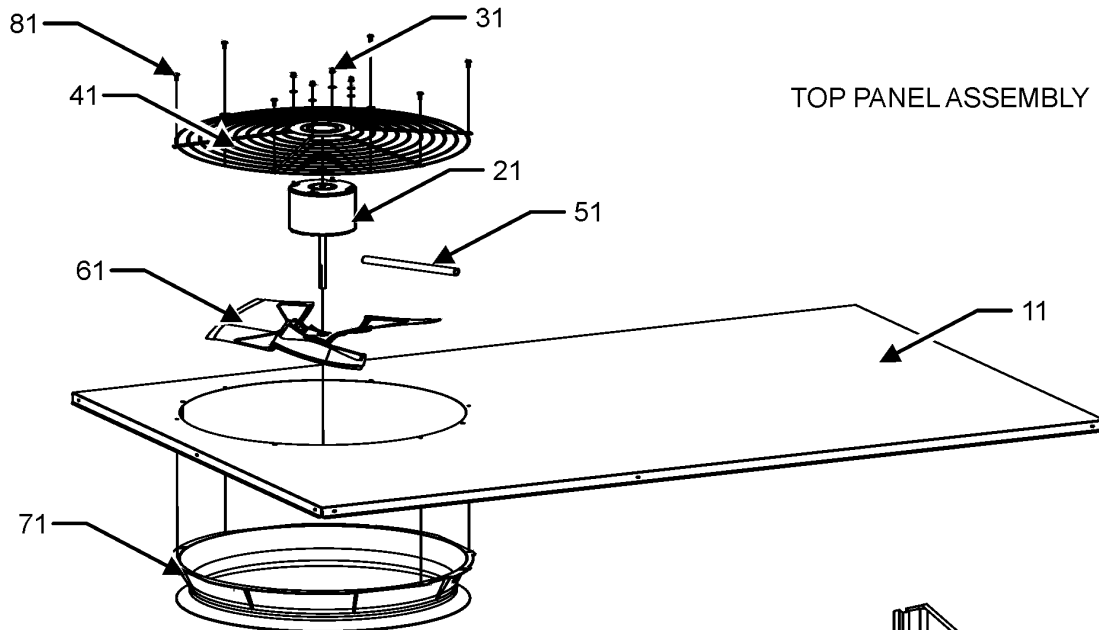
Image 1:

| | | |
|-----|--------------|--------------------------------|
| 51 | 0121L01734SB | PAINTED FILTER PANEL |
| 61 | 0121L01651SB | PAINTED ECONOMIZER PANEL |
| 71 | 0121L02261SB | PAINTED BLOWER PANEL |
| 91 | 0121L02263SB | PAINTED COMPRESSOR PANEL |
| 101 | 0121L02262SB | PAINTED CONTROL BOX PANEL |
| 111 | 0121L03642SB | PAINTED, COMPRESSOR BACK PANEL |
| 221 | 0121L02910SB | PAINTED COVER-DUCT RETURN |
| 231 | 0121L02911SB | PAINTED COVER-DUCT SUPPLY |
| 251 | 0121L02996SB | PAINTED BACK PANEL |

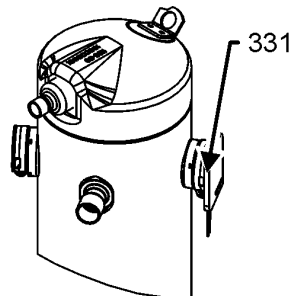
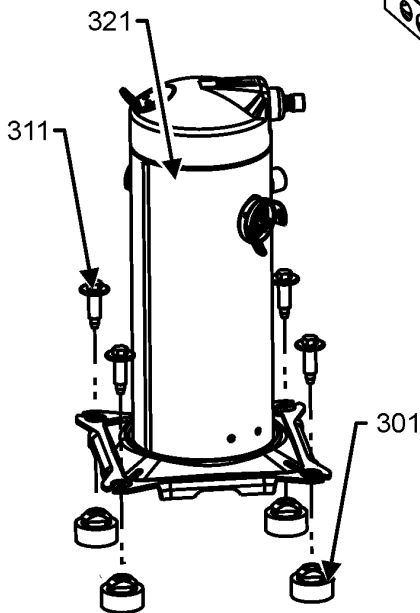
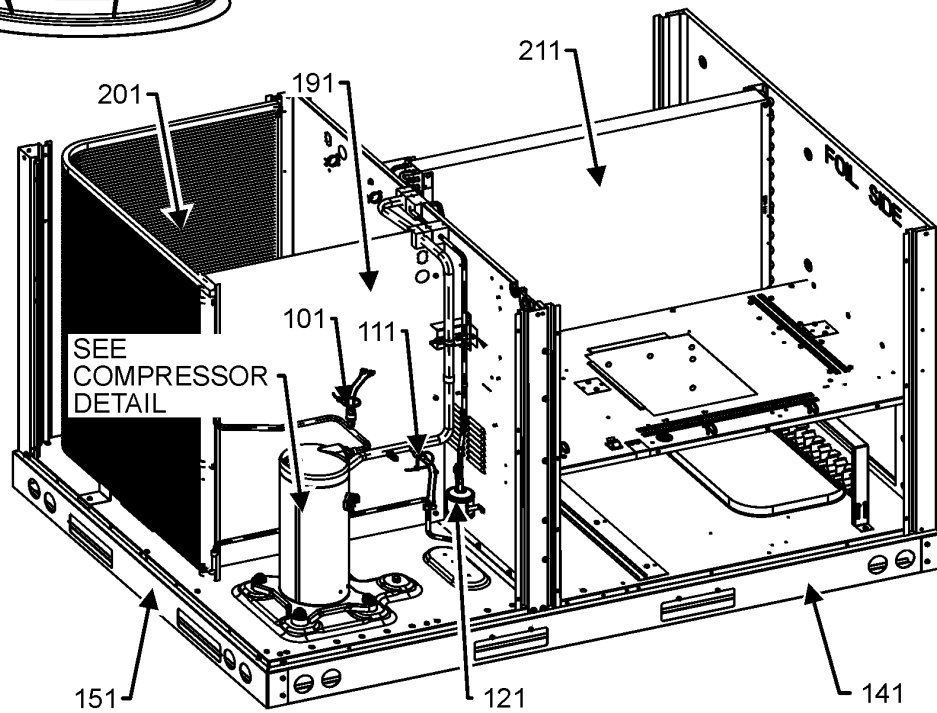
Expanded Model Nomenclature

| |
|------------------------|
| M1 - DFC0481D000001SAA |
| M2 - DFC0483D000001SAA |
| M3 - DFC0484D000001SAA |
| M4 - DFC0487D000001SAA |

TOP PANEL AND TUBING ASSEMBLY



TUBING ASSEMBLY



TUBING ASSEMBLY MAY DIFFER FROM WHAT IS SHOWN

TOP PANEL AND TUBING ASSEMBLY

| Ref. Part No: No: | Description: | Ref. Part No: No: | Description: |
|-------------------|--------------|-------------------|--------------|
|-------------------|--------------|-------------------|--------------|

Image 1:

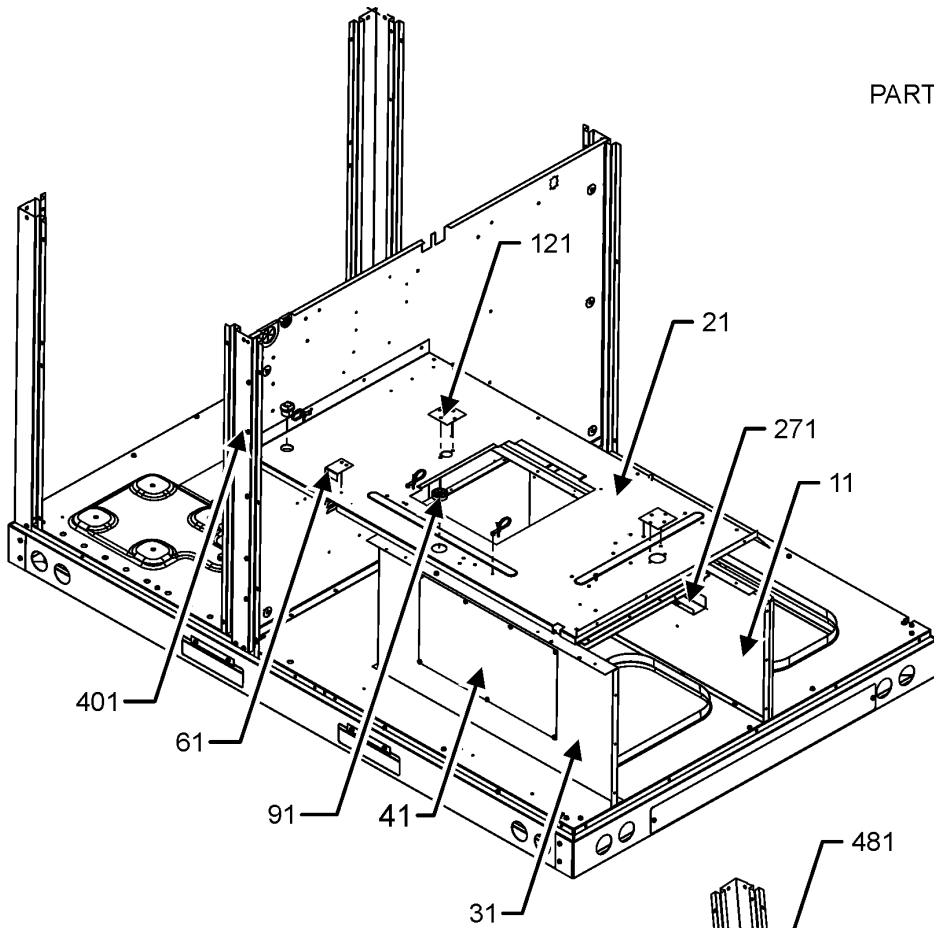
| | | |
|-----|---------------|---------------------------------------|
| 11 | 0121L01626SB | PAINTED, TOP PANEL |
| 21 | 0131M00430 | MOTOR, 1/3 HP, 1 SP, 6 PL (M1, M2) |
| 21 | 0131M00774 | MOTOR, 1/3 HP, OD (M3) |
| 21 | 0131M00858 | MOTOR, 1/3 HP, OD (M4) |
| 31 | 0163M00006P | ACORN NUT 5/16 HEX BLACK (QTY 4) |
| 41 | 0152G00000 | FAN GRILLE, RAISED |
| 51 | 0161R00003P | CONDUIT |
| 61 | 0150L00003 | BLADE-FAN 22" ALUM. CCW 30 DEG |
| 71 | 0161L00000 | RING VENTURI 22 |
| 81 | 0163M00004 | SCREW #10X3/4", BLACK (QTY 8) |
| 101 | 0130M00732 | SWITCH, LOW PRESSURE |
| 111 | 0130M00730 | SWITCH, HIGH PRESSURE |
| 121 | 0162R00056 | FILTER/DRIER-BI-FLOW |
| 141 | 0121L01620 | SMALL SIDE RAIL (QTY 2) |
| 151 | 0121L01621 | SMALL END RAIL |
| 191 | 0121L04254 | OD COIL BLOCKOFF |
| 201 | 0201L00766 | ASSY COIL BENT |
| 211 | 0202L00594 | ASSY ID COIL TUBING |
| 301 | B1339533 | COMPRESSOR GROMMET (QTY 4) |
| 311 | B1393740 | COMP. BOLT & SLEEVE (QTY 4) |
| 321 | ZP39K5ETFD130 | COMP, 39000, 460/60/3 (M3) |
| 321 | ZP39K5ETF5130 | COMP, 39000,200/230/60/3 (M2) |
| 321 | ZP39K5ETFE130 | Comp, 39000,575/60/3 (M4) |
| 321 | ZP39K5EPFV130 | COMP,39000,208/230/60/1 (M1) |
| 331 | 0159L00027 | COMPRESSOR SCROLL HARNESS (M1) |
| 331 | 0159L00065 | Harness, comp scroll (M2, M3, M4) |
| NS | 0251L00133 | ASSY., EXPANSION VALVE |
| NS | 0141L00003X | BOARD-FORK (QTY 2) |
| NS | 0121L03516 | PNL, BRACKET, FORK BOARD (QTY 4) |
| NS | 0163M00005P | WASHER, BLACK (.50 OD .218ID) (QTY 4) |

Expanded Model Nomenclature

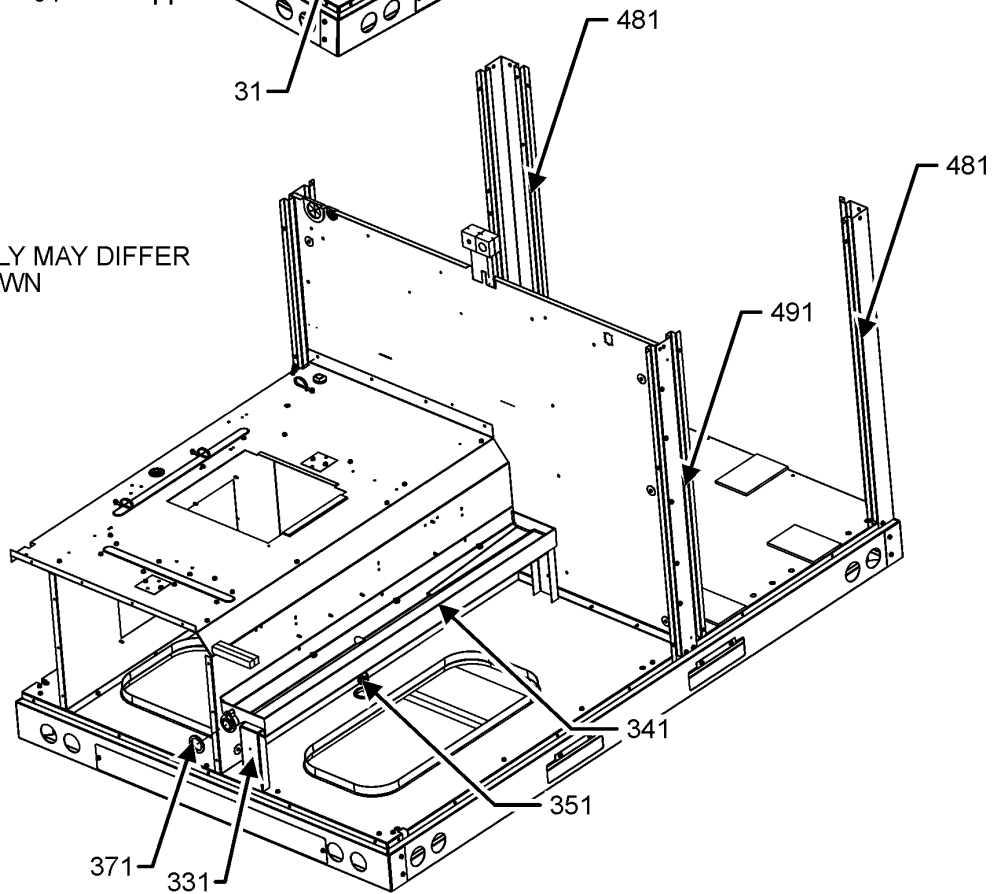
| |
|------------------------|
| M1 - DFC0481D000001SAA |
| M2 - DFC0483D000001SAA |
| M3 - DFC0484D000001SAA |
| M4 - DFC0487D000001SAA |

PARTITION ASSEMBLY

PARTITION ASSEMBLY



PARTITION ASSEMBLY MAY DIFFER FROM WHAT IS SHOWN



PARTITION ASSEMBLY

| Ref. Part No: | No: | Description: | Ref. Part No: | No: | Description: |
|---------------|-----|--------------|---------------|-----|--------------|
|---------------|-----|--------------|---------------|-----|--------------|

Image 1:

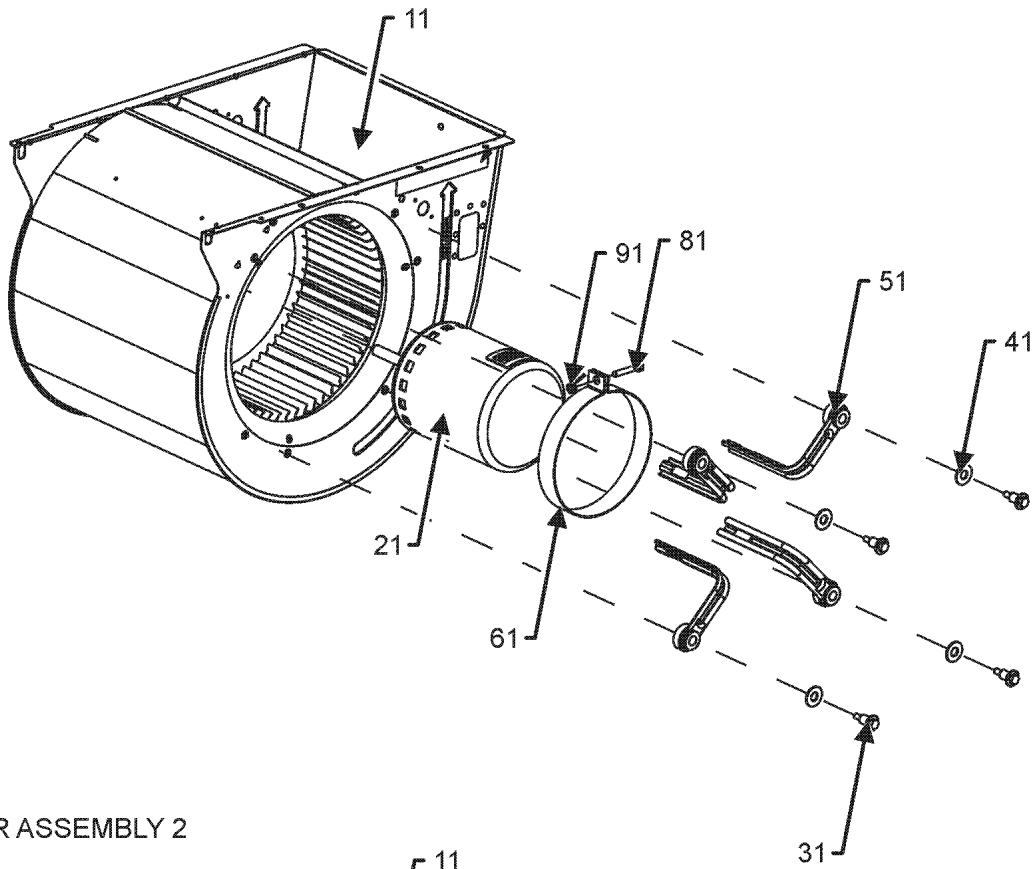
| | | |
|-----|--------------|-------------------------------|
| 11 | 0121L02584 | BLOWER DECK SIDE |
| 21 | 0121L04695 | PANEL, BLOWER DECK |
| 31 | 0121L04424 | HEAT KIT BOX |
| 41 | 0121L00144 | COVER-ELECTRIC HEAT |
| 61 | 0121L01709 | BLOWER DECK PLATE |
| 91 | B1392147 | UNIVERSIAL BUSHING WITH SLICE |
| 121 | 0121L00321 | COVER-SMOKE DETECTOR (QTY 2) |
| 271 | 0121L02633 | BLOWER DECK U-BRACKET |
| 331 | 0121L02985 | DRAINPAN SUPPORT |
| 341 | 0161L00007 | DRAIN PAN, EVAPORATOR 3-5 TON |
| 351 | 0163L00071 | PLUG, DRAIN |
| 371 | 0154L00180 | GASKET, DRAIN PAN |
| 401 | 0121L03442SB | PAINTED, SIDE POST |
| 481 | 0121L01728SB | PAINTED CORNER POST (QTY 2) |
| 491 | 0121L04180SB | PAINTED, SIDE POST |
| NS | 0160L00137 | Air Filter 20x25x2 (QTY 2) |
| NS | 0164M00111 | GROMMET-D |
| NS | 0164G00005 | GROMMET-HORSESHOW 1.675 |
| NS | 0121L01954 | OD COIL BLOCKOFF ANGLE |
| NS | 0121L03515 | RETAINER - ELECTRIC HEAT |

Expanded Model Nomenclature

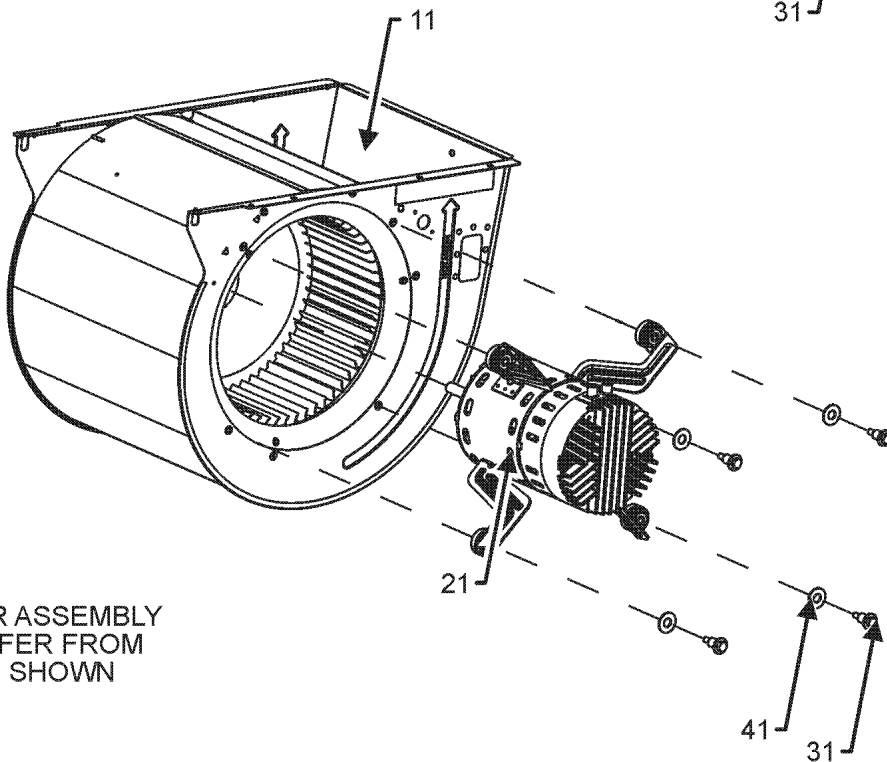
| |
|------------------------|
| M1 - DFC0481D000001SAA |
| M2 - DFC0483D000001SAA |
| M3 - DFC0484D000001SAA |
| M4 - DFC0487D000001SAA |

BLOWER ASSEMBLY

BLOWER ASSEMBLY 1



BLOWER ASSEMBLY 2



BLOWER ASSEMBLY
MAY DIFFER FROM
WHAT IS SHOWN

BLOWER ASSEMBLY

| Ref. Part No: | No: | Description: | Ref. Part No: | No: | Description: |
|---------------|-----|--------------|---------------|-----|--------------|
|---------------|-----|--------------|---------------|-----|--------------|

Image 1:

| | | |
|----|------------|------------------------------------|
| 11 | 0271L00137 | ASSY., BLOWER HOUSING (M3, M4) |
| 11 | 0271L00133 | ASSY., HOUSING, BLWR (M1, M2) |
| 21 | 0131L00363 | PROGRAM, MOTOR (M1, M2) |
| 21 | 0131L00364 | PROGRAM, MOTOR (M3, M4) |
| 31 | M0250565 | SCREW-TC 1.25" (QTY 4) |
| 41 | B1392918 | WASHER, FLAT 1/4 ID X 1 OD (QTY 4) |
| 51 | 0163A00008 | MOTOR MOUNTING ARM (M1, M2) |
| 61 | 10441601 | BAND-MTR MOUNT (M1, M2) |
| 81 | M0267144 | SCREW-MACH (M1, M2) |
| 91 | M0282015 | NUT-KEPS (M1, M2) |

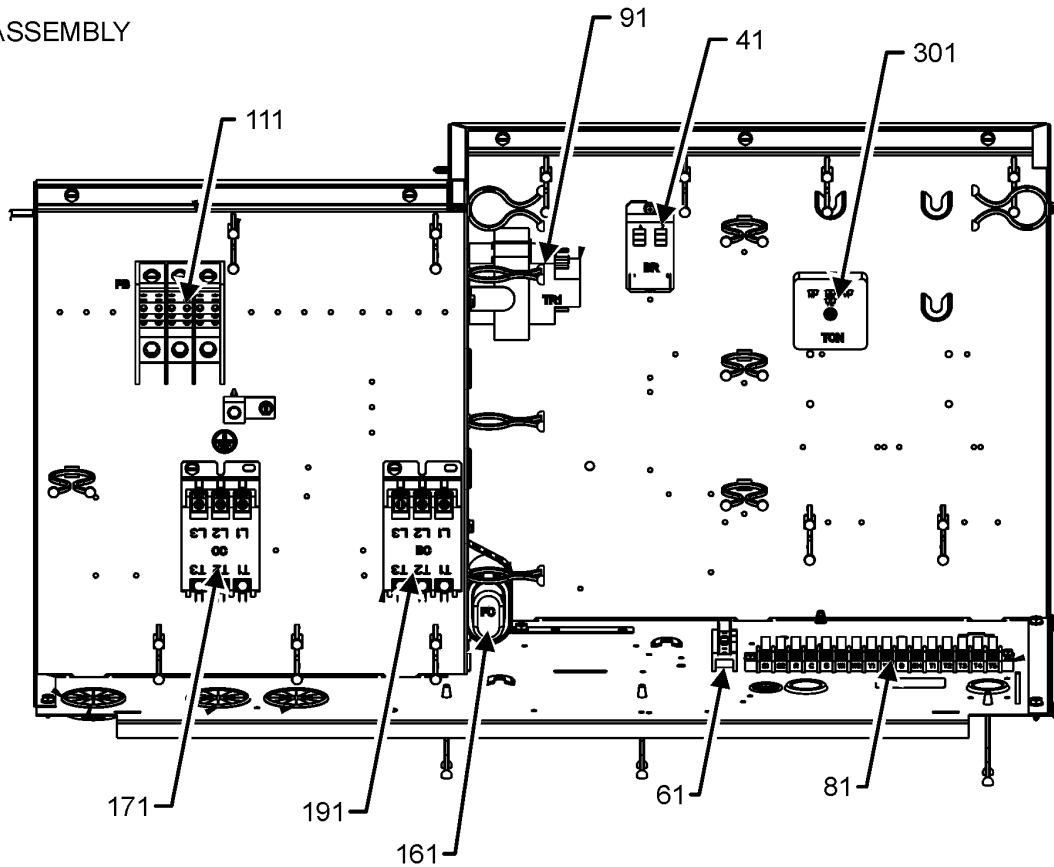
Expanded Model Nomenclature

| |
|------------------------|
| M1 - DFC0481D000001SAA |
| M2 - DFC0483D000001SAA |
| M3 - DFC0484D000001SAA |
| M4 - DFC0487D000001SAA |

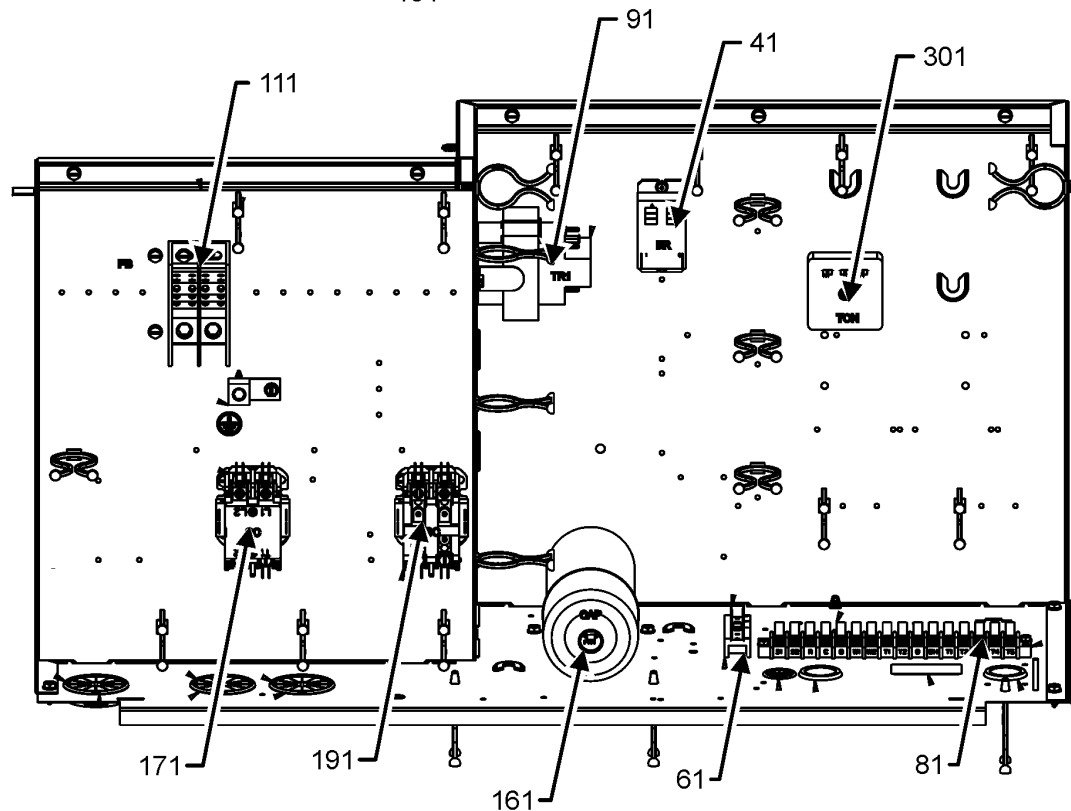
CONTROL BOX ASSEMBLY

CONTROL BOX ASSEMBLY

3 PHASE



1 PHASE



CONTROL BOX ASSEMBLY MAY DIFFER FROM WHAT IS SHOWN

CONTROL BOX ASSEMBLY

| Ref. Part No: | Part No: | Description: | Ref. Part No: | Part No: | Description: |
|---------------|----------|--------------|---------------|----------|--------------|
|---------------|----------|--------------|---------------|----------|--------------|

Image 1:

| | | |
|-----|----------------|---|
| 41 | 0130M00178 | DPDT RELAY 24VAC |
| 61 | 802007090 | TERM BOARD |
| 81 | 0130M00038 | TERMINAL BOARD |
| 91 | 0130M00598 | TRANSFMR, 75VA, 575V TO 24V (M4) |
| 91 | 0130M00696 | TRANSFORMER 208-240V TO 24V,75 (M1, M2) |
| 91 | 0130M00595 | TRANSFORMER, 75VA, 480V TO 24V (M3) |
| 111 | 0130M00510 | BLOCK, POWER (M1) |
| 111 | 0130M00509 | BLOCK,POWER (M2, M3, M4) |
| 161 | CAP100000440LA | CAP 10 MFD/440V/OVAL (M3) |
| 161 | CAP100000370LA | CAP, 10 MFD/370V/OVAL (M2) |
| 161 | CAP100450440CS | CAP, 10/45 MFD/ 440V DUAL RD (M1) |
| 161 | CAP050000440LA | CAPACITOR (M4) |
| 171 | CONT2P040024V | CONT, 2 POLE, 40 AMP, 24 VAC (M1) |
| 171 | CONT3P025024V | CONT, 3 POLE, 25 AMP, 24 VAC (M3, M4) |
| 171 | CONT3P030024V | CONT, 3 POLE, 30 AMP, 24 VAC (M2) |
| 191 | CONT2P025024V | CONT, 2 POLE, 25 AMP, 24 VAC (M1, M2) |
| 191 | CONT3P025024V | CONT, 3 POLE, 25 AMP, 24 VAC (M3, M4) |
| 301 | B1370772 | TIME DELAY (ICM) 180 SEC DEL |
| NS | 0164M00126 | BOOT, CAPACITOR (M2, M3, M4) |
| NS | 0164M00079 | BOOT-CAPACITOR, ROUND (M1) |
| NS | 0130M00507 | MOTOR POWER HARNESS (M1, M2) |
| NS | 20520901 | STRAP-CAPACITOR |
| NS | 0130M00506 | X-13 LOW VOLTAGE WIRE HARNESS (M1, M2) |

Expanded Model Nomenclature

| |
|------------------------|
| M1 - DFC0481D000001SAA |
| M2 - DFC0483D000001SAA |
| M3 - DFC0484D000001SAA |
| M4 - DFC0487D000001SAA |

ACCESSORY PARTS LIST

NOTE: NOT ALL OPTIONS AVAILABLE FOR ALL PRODUCTS

FOR ACCESSORY PARTS SEE THE FOLLOWING PART MANUAL

RP-FIOPSC

ACCESSORY PARTS

Ref. Part

No: No:

Description:

Ref. Part

No: No:

Description:

Image 1:

NS RP-FIOPSC* ACCESSORY RP MANUAL

Expanded Model Nomenclature

M1 - DFC0481D000001SAA

M2 - DFC0483D000001SAA

M3 - DFC0484D000001SAA

M4 - DFC0487D000001SAA