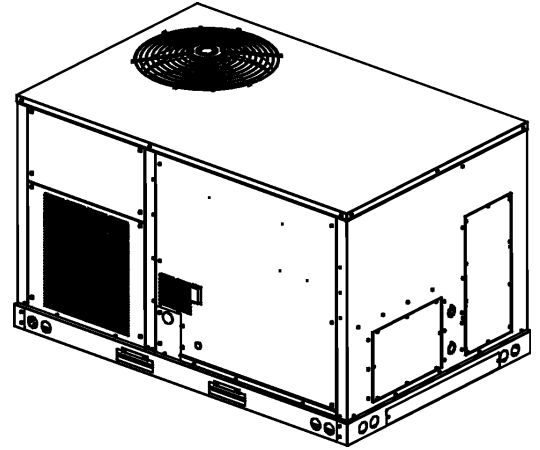


## Commercial 4 Ton (DFG) Package Gas Unit

DFG0481DH00001SAA  
DFG0481DL00001SAA  
DFG0483DH00001SAA  
DFG0483DL00001SAA  
DFG0483DM00001SAA  
DFG0484DH00001SAA  
DFG0484DL00001SAA  
DFG0484DM00001SAA  
DFG0487DH00001SAA



This manual is to be used by qualified technicians only.

# Important Information

---

## Index

Functional Parts List .....	3
Illustration and Parts .....	4 - 17

*Views shown are for parts illustrations only, not servicing procedures.*

### Text Codes:

AR - As Required

NA - Not Available

NS - Not Shown

00000000 - See Note

QTY - Quantity Example (QTY 3) (If Quantity not shown, Quantity = 1)

M - Model Example (M1) (If M Code not shown, then part is used on all Models)

### Expanded Model Nomenclature:

Example
M1 - Model#1
M2 - Model#2
M3 - Model#3

Daikin Comfort Technologies Manufacturing , L.P. is not responsible for personal injury or property damage resulting from improper service. Review all service information before beginning repairs.

Warranty service must be performed by an authorized technician, using authorized factory parts. If service is required after the warranty expires, Daikin Comfort Technologies Manufacturing , L.P. also recommends contacting an authorized technician and using authorized factory parts.

Daikin Comfort Technologies Manufacturing , L.P. reserves the right to discontinue, or change at any time, specifications or designs without notice or without incurring obligations.

For assistance within the U.S.A. contact:  
Equipment Support  
Daikin Comfort Technologies Manufacturing , L.P.  
19001 Kermier Road  
Waller, Texas 77484  
855-770-5678-Telephone  
713-863-2382-Facsimile

For assistance outside the U.S.A. contact:  
International Division  
Daikin Comfort Technologies Manufacturing , L.P.  
19001 Kermier Road  
Waller, Texas 77484  
713-861-2500-Telephone  
713-863-2382-Facsimile

# Functional Parts

**Part No:**            **Description:**

---

0251L00133            ASSY., EXPANSION VALVE  
 0163F00017            BECKETT BURNER (QTY 5)  
 0150L00003            BLADE-FAN 22" ALUM. CCW 30 DEG  
 CAP100000440LA      CAP 10 MFD/440V/OVAL (M6, M7, M8)  
 CAP100000370LA      CAP, 10 MFD/370V/OVAL (M3, M4, M5)  
 CAP100450440CS      CAP, 10/45 MFD/ 440V DUAL RD (M1, M2)  
 CAP050000440LA      CAPACITOR (M9)  
 ZP39K5ETFD130      COMP, 39000, 460/60/3 (M6, M7, M8)  
 ZP39K5ETF5130      COMP, 39000,200/230/60/3 (M3, M4, M5)  
 ZP39K5ETFE130      Comp, 39000,575/60/3 (M9)  
 ZP39K5EPFV130      COMP,39000,208/230/60/1 (M1, M2)  
 CONT2P025024V      CONT, 2 POLE, 25 AMP, 24 VAC  
 CONT2P025024V      CONT, 2 POLE, 25 AMP, 24 VAC (M1, M2, M3, M4, M5)  
 CONT2P040024V      CONT, 2 POLE, 40 AMP, 24 VAC (M1, M2)  
 CONT3P025024V      CONT, 3 POLE, 25 AMP, 24 VAC (M6, M7, M8, M9)  
 CONT3P025024V      CONT, 3 POLE, 25 AMP, 24 VAC (M6, M7, M8, M9)  
 CONT3P030024V      CONT, 3 POLE, 30 AMP, 24 VAC (M3, M4, M5)  
 0130F00010            FLAME SENSOR (M1, M3, M6, M9)  
 0130M00719            FLAME SENSOR (M2, M4, M5, M7, M8)  
 0151F00000P          GAS VALVE - WHITE-RODGERS 2-STAGE  
 20261709              IGNITOR  
 20162901              LIMIT, PRIMARY (M4, M7)  
 20162904              LIMIT, PRIMARY  
 0130F00035            LIMIT, PRIMARY (M1, M3, M6, M9)  
 0130M00663            LIMIT, PRIMARY (M2, M5, M8)  
 10123532              LIMIT-RESET MAN-GRAY (M1, M3, M4, M6, M7, M9)  
 10123529              LIMIT-RESET MAN-GREEN (M2, M5, M8)  
 0131M00430            MOTOR, 1/3 HP, 1 SP, 6 PL (M1, M2, M3, M4, M5)  
 0131M00858            MOTOR, 1/3 HP, OD (M9)  
 0131M00774            MOTOR, 1/3 HP, OD (M6, M7, M8)  
 PCBAG123              PCB, IGNITION, DSI, INTEG  
 0131L00316            PROGRAM, MOTOR (M1)  
 0131L00315            PROGRAM, MOTOR (M2)  
 0131L00322            PROGRAM, MOTOR (M6, M9)  
 0131L00321            PROGRAM, MOTOR (M8)  
 0131L00320            PROGRAM, MOTOR (M7)  
 0131L00319            PROGRAM, MOTOR (M3)  
 0131L00318            PROGRAM, MOTOR (M5)  
 0131L00317            PROGRAM, MOTOR (M4)  
 0130M00730            SWITCH, HIGH PRESSURE  
 0130M00732            SWITCH, LOW PRESSURE  
 11112501              SWITCH-PRESSURE  
 0130M00038            TERMINAL BOARD  
 0130M00598            TRANSFMR 75VA 575V TO 24V (M9)  
 0130M00596            TRANSFMR, 150VA, 480V TO 23 (M6, M7, M8)  
 0130M00597            TRANSFMR, 150VA, 575V TO 230V (M9)  
 0130M00696            TRANSFORMER 208-240 TO 24V 75 (M1, M2, M3, M4, M5)  
 0130M00595            TRANSFORMER, 75VA, 480V TO 24V (M6, M7, M8)

**SPECIAL PARTS**

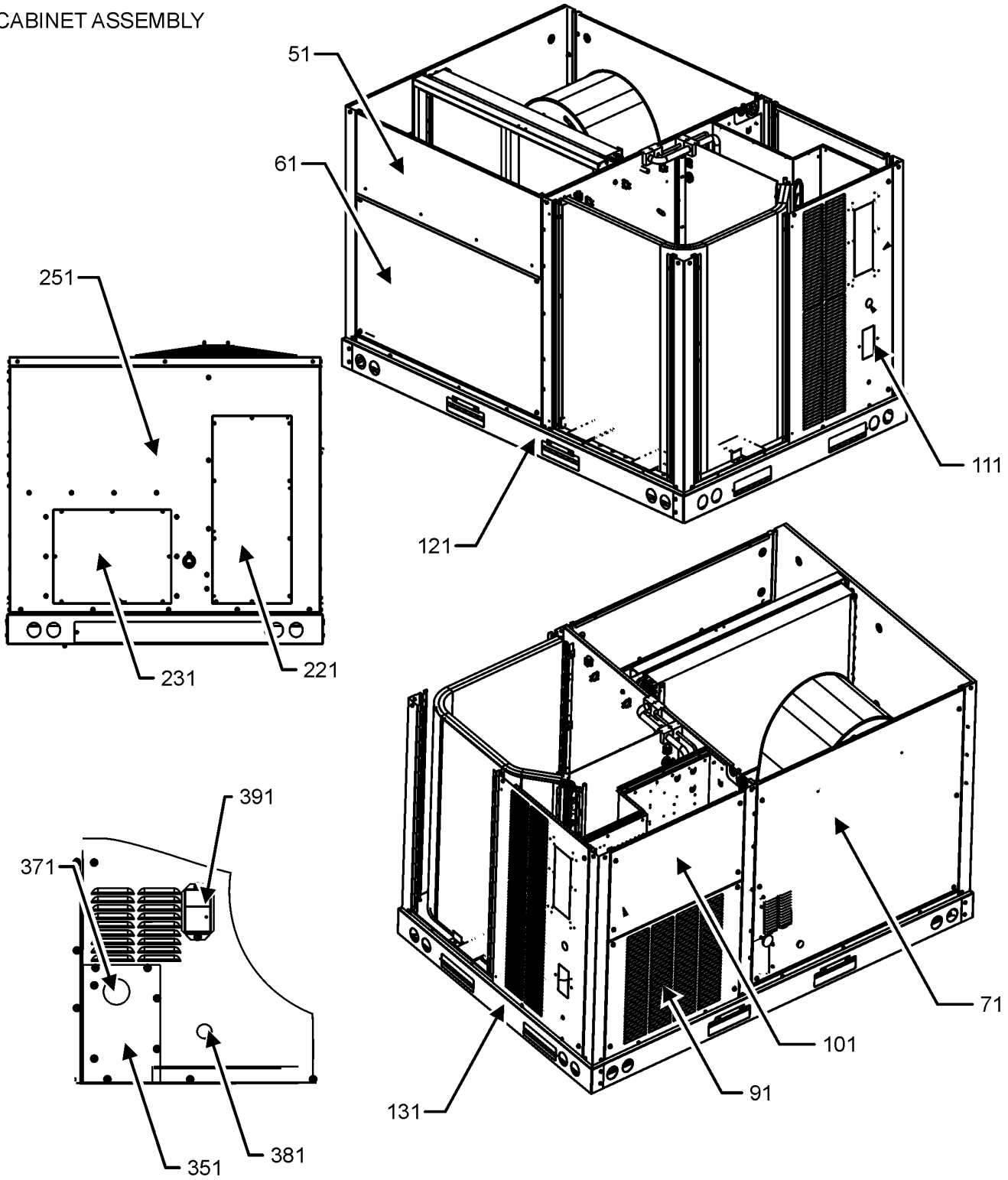
RP-EHX[B,D]S\*          ACCESSORY PART MANUAL  
 RP-FIOPSC\*            ACCESSORY PART MANUAL

**Expanded Model Nomenclature**

M1 - DFG0481DH00001SAA  
 M2 - DFG0481DL00001SAA  
 M3 - DFG0483DH00001SAA  
 M4 - DFG0483DL00001SAA  
 M5 - DFG0483DM00001SAA  
 M6 - DFG0484DH00001SAA  
 M7 - DFG0484DL00001SAA  
 M8 - DFG0484DM00001SAA  
 M9 - DFG0487DH00001SAA

# CABINET ASSEMBLY

## CABINET ASSEMBLY



BURNER DOOR DETAIL

NOTE: CABINET ASSEMBLY MAY DIFFER FROM WHAT IS SHOWN

# CABINET ASSEMBLY

Ref. Part No:	No:	Description:	Ref. Part No:	No:	Description:
---------------	-----	--------------	---------------	-----	--------------

---

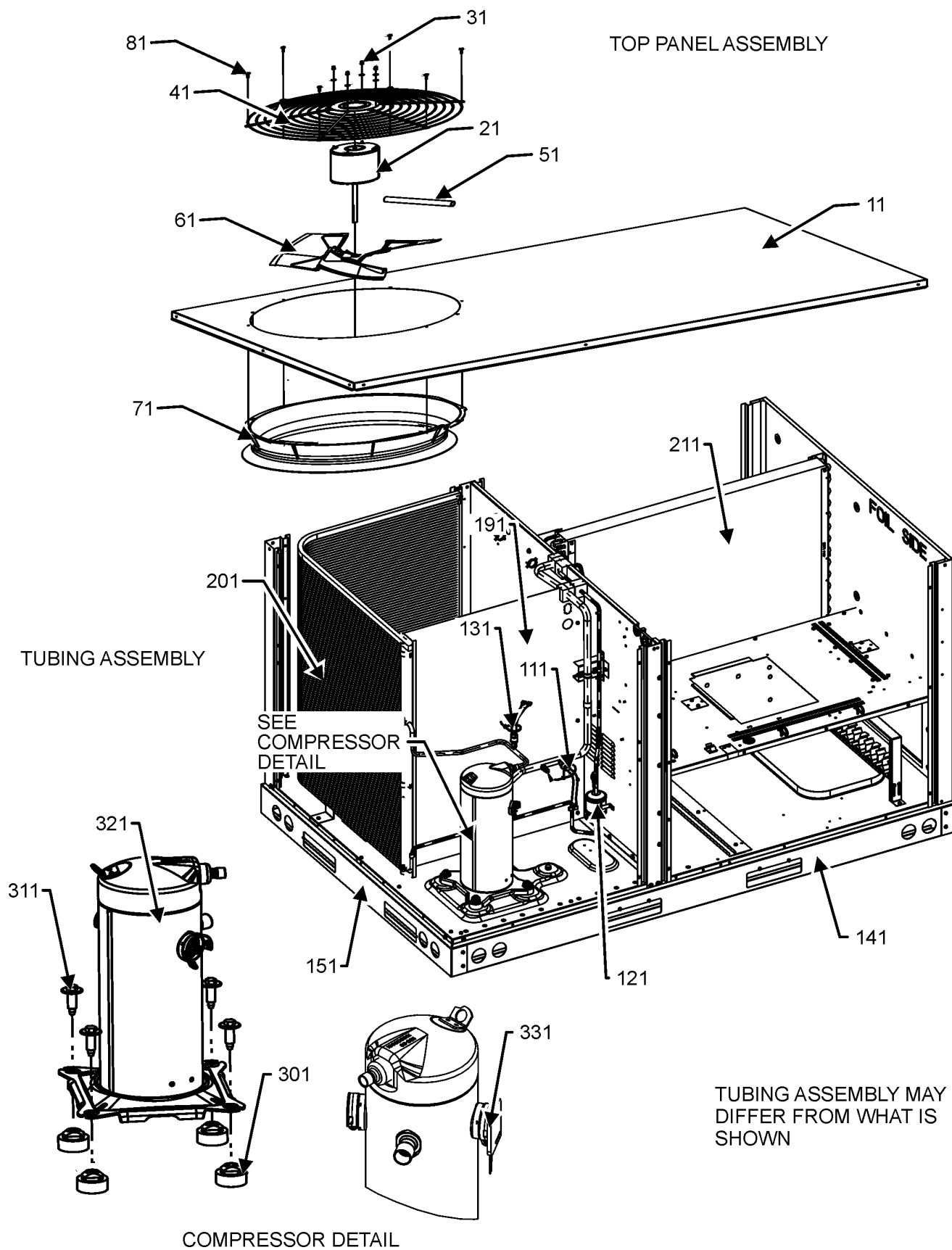
**Image 1:**

51	0121L01734SB	PAINTED FILTER PANEL
61	0121L01651SB	PAINTED ECONOMIZER PANEL
71	0121L03626SB	PAINTED PANEL GAS BLOWER
91	0121L02263SB	PAINTED COMPRESSOR PANEL
101	0121L02262SB	PAINTED CONTROL BOX PANEL
111	0121L03642SB	COMPRESSOR BACK PANEL
121	0121L01620	SIDE RAIL (QTY 2)
131	0121L01621	END RAIL
221	0121L02910SB	PAINTED COVER-DUCT RETURN
231	0121L02911SB	PAINTED COVER-DUCT SUPPLY
251	0121L02996SB	PAINTED BACK PANEL
351	0121L03443SB	PAINTED, GAS INLET PANEL
371	B1910010	GROMMET, GAS LINE
381	B1392139	VIEW PORT BUSHING, CLEAR 1.0
391	0121L03288SB	PAINTED COLLAR FLUE
NS	0121L03931	HEAT EXCHANGER FLASHING

**Expanded Model Nomenclature**

M1 - DFG0481DH00001SAA
M2 - DFG0481DL00001SAA
M3 - DFG0483DH00001SAA
M4 - DFG0483DL00001SAA
M5 - DFG0483DM00001SAA
M6 - DFG0484DH00001SAA
M7 - DFG0484DL00001SAA
M8 - DFG0484DM00001SAA
M9 - DFG0487DH00001SAA

# TOP PANEL & TUBING ASSEMBLY



# TOP PANEL & TUBING ASSEMBLY

Ref. Part No: No:	Description:	Ref. Part No: No:	Description:
-------------------	--------------	-------------------	--------------

**Image 1:**

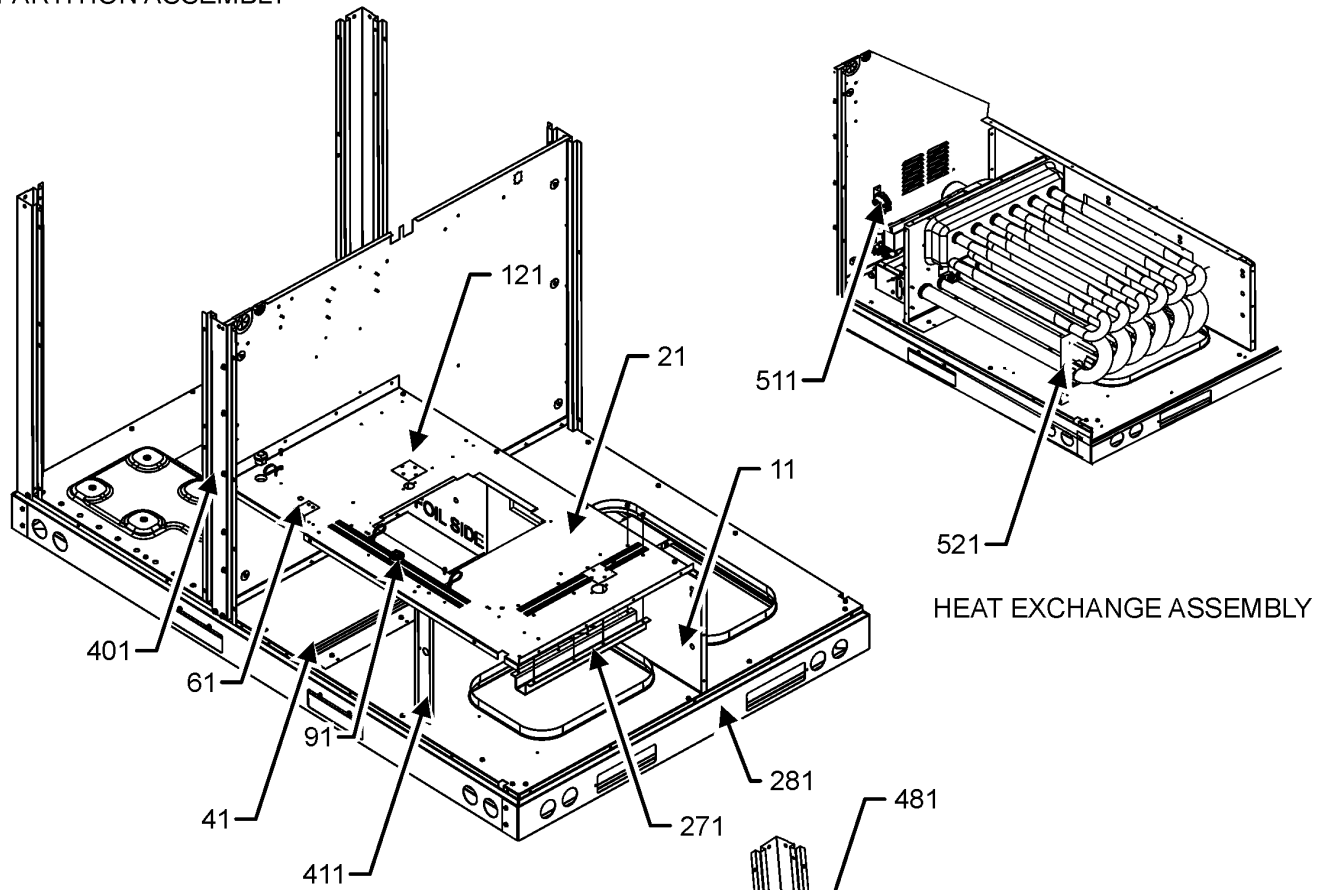
11	0121L01626SB	PAINTED, TOP PANEL
21	0131M00430	MOTOR, 1/3 HP, 1 SP, 6 PL (M1, M2, M3, M4, M5)
21	0131M00774	MOTOR, 1/3 HP, OD (M6, M7, M8)
21	0131M00858	MOTOR, 1/3 HP, OD (M9)
31	0163M00006P	ACORN NUT 5/16 HEX BLACK (QTY 4)
41	0152G00000	FAN GRILLE, RAISED
51	0161R00003P	CONDUIT
61	0150L00003	BLADE-FAN 22" ALUM. CCW 30 DEG
71	0161L00000	RING VENTURI 22
81	0163M00004	SCREW #10X3/4", BLACK (QTY 8)
111	0130M00732	SWITCH, LOW PRESSURE
121	0162R00056	FILTER/DRIER-BI-FLOW
131	0130M00730	SWITCH, HIGH PRESSURE
141	0121L01620	SMALL SIDE RAIL (QTY 2)
151	0121L01621	SMALL END RAIL
191	0121L01954	OD COIL BLOCKOFF ANGLE
201	0201L00766	ASSY., COIL BENT
211	0202L00594	ASSY., ID, COIL TUBING
301	B1339533	COMPRESSOR GROMMET (QTY 4)
311	B1393740	COMP. BOLT & SLEEVE (QTY 4)
321	ZP39K5ETFD130	COMP, 39000, 460/60/3 (M6, M7, M8)
321	ZP39K5ETF5130	COMP, 39000,200/230/60/3 (M3, M4, M5)
321	ZP39K5ETFE130	Comp, 39000,575/60/3 (M9)
321	ZP39K5EPFV130	COMP,39000,208/230/60/1 (M1, M2)
331	0159L00065	HARNES, COMP SCROLL (M3, M4, M5, M6, M7, M8, M9)
331	0159L00027	HARNES-COMP SCROLL (M1, M2)
NS	0251L00133	ASSY., EXPANSION VALVE
NS	0141L00003X	BOARD-FORK (QTY 2)
NS	0121L03516	PNL, BRACKET, FORK BOARD (QTY 4)
NS	0163M00005P	WASHER, BLACK (.50 OD .218ID) (QTY 4)

**Expanded Model Nomenclature**

M1 - DFG0481DH00001SAA
M2 - DFG0481DL00001SAA
M3 - DFG0483DH00001SAA
M4 - DFG0483DL00001SAA
M5 - DFG0483DM00001SAA
M6 - DFG0484DH00001SAA
M7 - DFG0484DL00001SAA
M8 - DFG0484DM00001SAA
M9 - DFG0487DH00001SAA

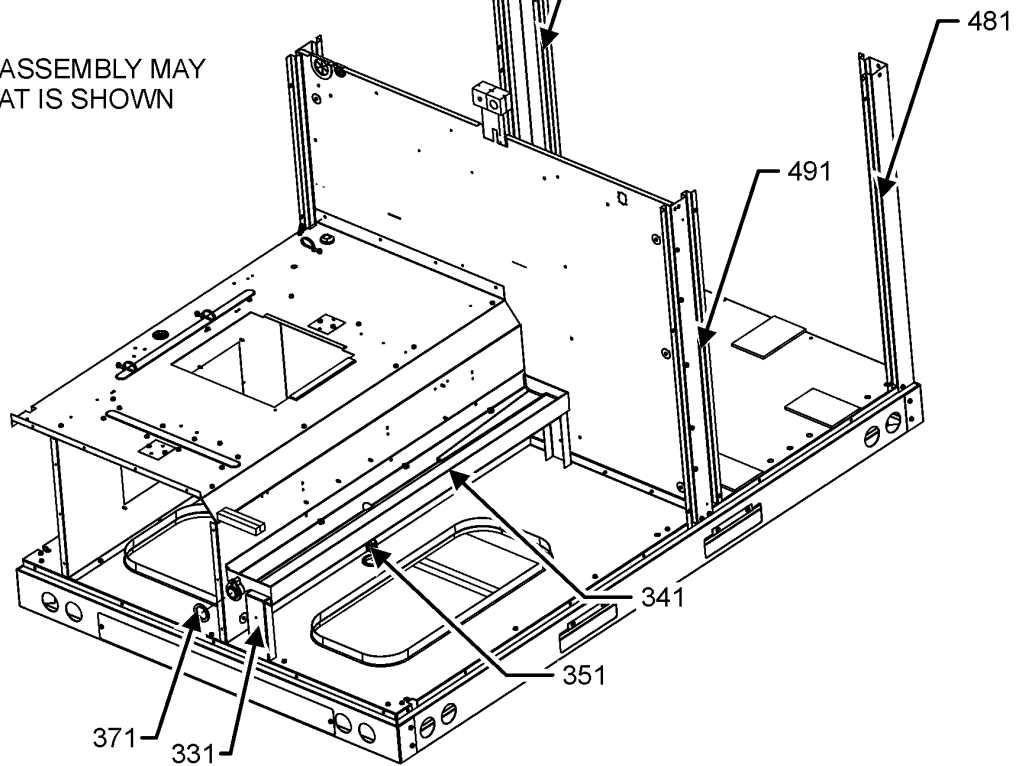
# PARTITION ASSEMBLY

## PARTITION ASSEMBLY



HEAT EXCHANGE ASSEMBLY

NOTE: PARTITION ASSEMBLY MAY DIFFER FROM WHAT IS SHOWN





# PARTITION ASSEMBLY

Ref. Part No:	Ref. Part No:	Description:	Description:
---------------	---------------	--------------	--------------

**Image 1:**

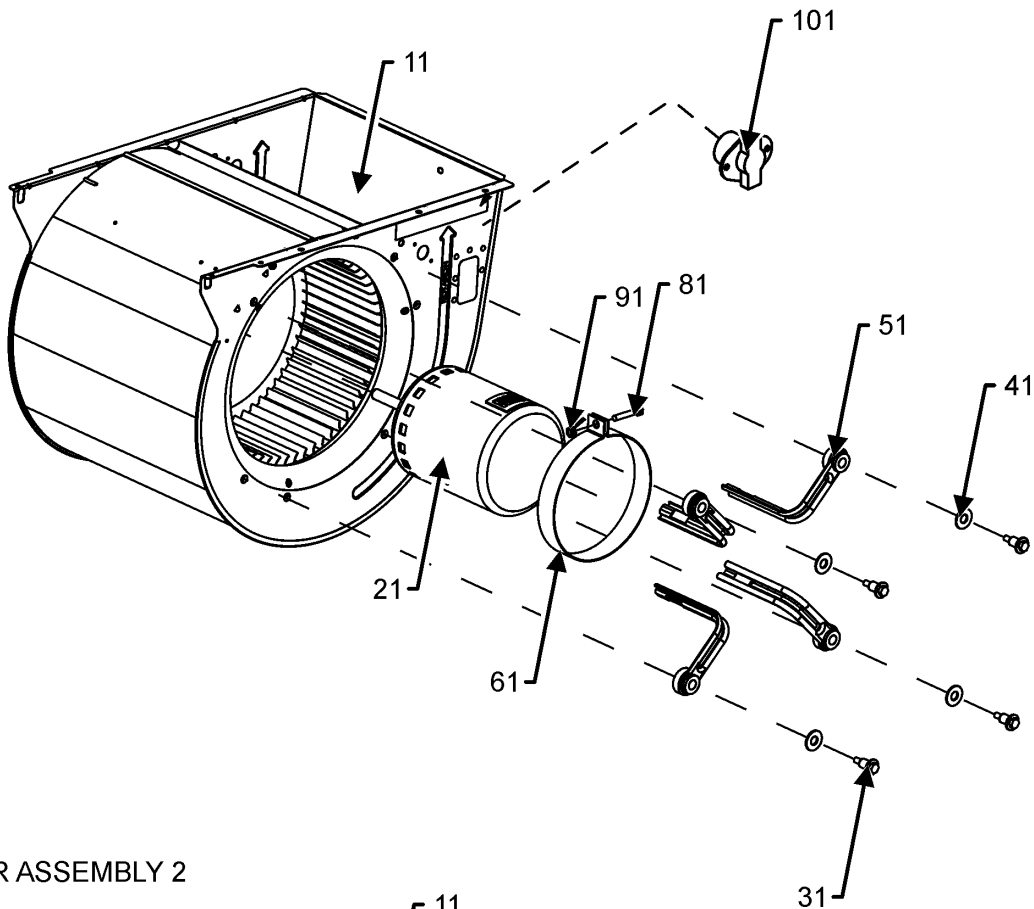
11	0121L02584	BLOWER DECK SIDE
21	0121L04695	PANEL, BLOWER DECK
41	0121L00266	CHANNEL-HEAT PANEL (QTY 2)
61	0121L01709	BLOWER DECK PLATE
91	B1392147	UNIVERSIAL BUSHING WITH SLICE
121	0121L00321	COVER-SMOKE DETECTOR (QTY 2)
271	0121L02633	BLOWER DECK U-BRACKET
281	0121L04776	END RAIL
331	0121L02985	DRAINPAN SUPPORT
341	0161L00007	DRAIN PAN, EVAPORATOR 3-5 TON
351	0163L00071	PLUG, DRAIN
371	0154L00180	GASKET, DRAIN PAN
401	0121L03442SB	PAINTED SIDE POST
411	0121L00300	POST-DECK SUPPORT
481	0121L01728SB	PAINTED CORNER POST (QTY 2)
491	0121L04180SB	PANITED SIDE POST
511	11112501	SWITCH-PRESSURE
521	0121L03320	BRACKET, TUBE SUPPORT
NS	0160L00137	AIR FILTER 20X25X2 (QTY 2)
NS	0121L00293	ANGLE-HEAT EXCHANGER BACK (QTY 2)
NS	0121L03125	BRACKET, TUBE (QTY 6)
NS	0121L02935	BRACKET, TUBE SUPPORT
NS	0121L04071	BRKT, SIDE SUPPORT (QTY 2)
NS	0164M00111	GROMMET-D
NS	0164G00005	GROMMET-HORSESHOW 1.675
NS	0121L01811	HORIZONTAL SUPPORT (QTY 2)
NS	0121L01954	OD COIL BLOCKOFF ANGLE

**Expanded Model Nomenclature**

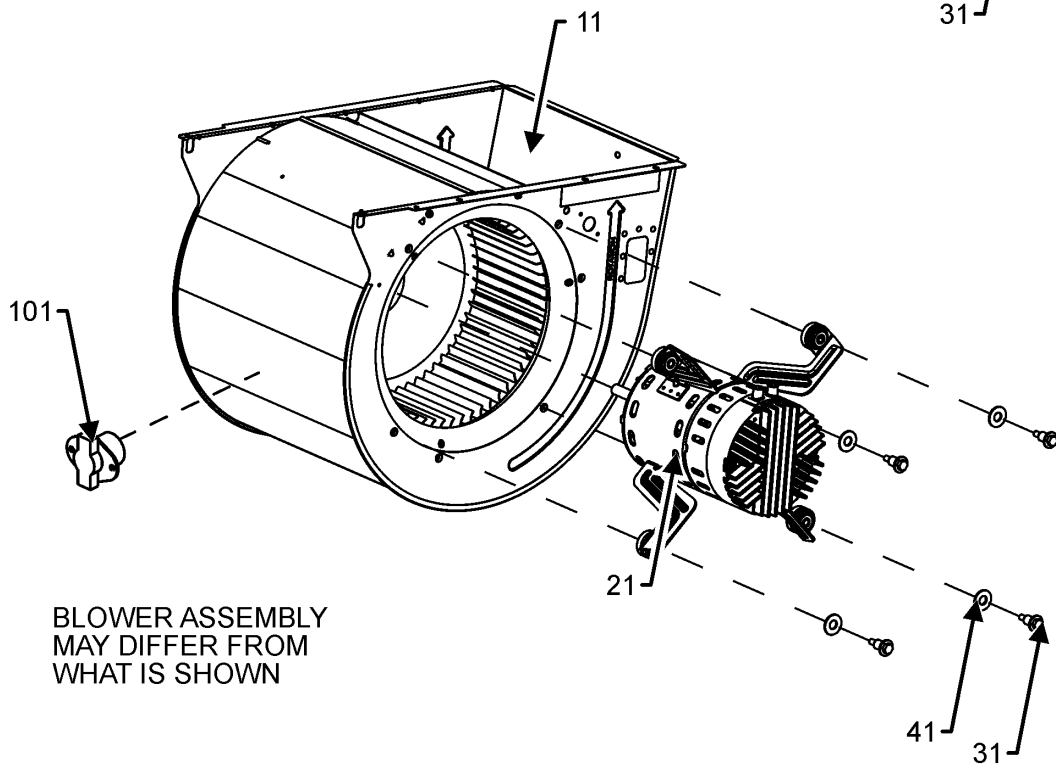
- |                        |
|------------------------|
| M1 - DFG0481DH00001SAA |
| M2 - DFG0481DL00001SAA |
| M3 - DFG0483DH00001SAA |
| M4 - DFG0483DL00001SAA |
| M5 - DFG0483DM00001SAA |
| M6 - DFG0484DH00001SAA |
| M7 - DFG0484DL00001SAA |
| M8 - DFG0484DM00001SAA |
| M9 - DFG0487DH00001SAA |

# BLOWER ASSEMBLY

## BLOWER ASSEMBLY 1



## BLOWER ASSEMBLY 2



BLOWER ASSEMBLY  
MAY DIFFER FROM  
WHAT IS SHOWN

# BLOWER ASSEMBLY

Ref. Part No: No:	Description:	Ref. Part No: No:	Description:
-------------------	--------------	-------------------	--------------

**Image 1:**

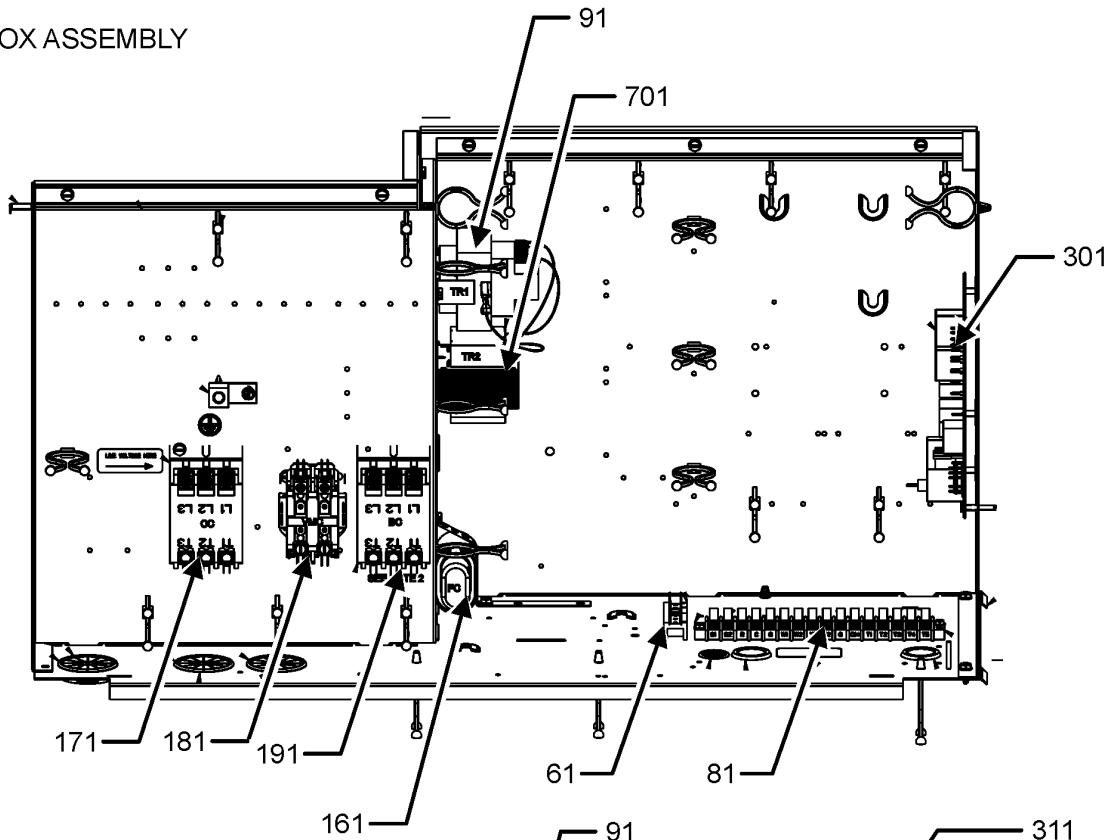
11	0271L00137	ASSY., BLOWER HOUSING (M6, M7, M8, M9)
11	0271L00133	ASSY., HOUSING, BLWR (M1, M2, M3, M4, M5)
21	0131L00315	PROGRAM, MOTOR (M2)
21	0131L00316	PROGRAM, MOTOR (M1)
21	0131L00317	PROGRAM, MOTOR (M4)
21	0131L00318	PROGRAM, MOTOR (M5)
21	0131L00319	PROGRAM, MOTOR (M3)
21	0131L00320	PROGRAM, MOTOR (M7)
21	0131L00321	PROGRAM, MOTOR (M8)
21	0131L00322	PROGRAM, MOTOR (M6, M9)
31	M0250565	SCREW-TC 1.25" (QTY 4)
41	B1392918	WASHER, FLAT 1/4 ID X 1 OD (QTY 4)
51	0163A00008	MOTOR MOUNTING ARM (M1, M2, M3, M4, M5)
61	10441601	BAND-MTR MOUNT (M1, M2, M3, M4, M5)
81	M0267144	SCREW-MACH (M1, M2, M3, M4, M5)
91	M0282015	NUT-KEPS (M1, M2, M3, M4, M5)
101	20162904	LIMIT, PRIMARY

**Expanded Model Nomenclature**

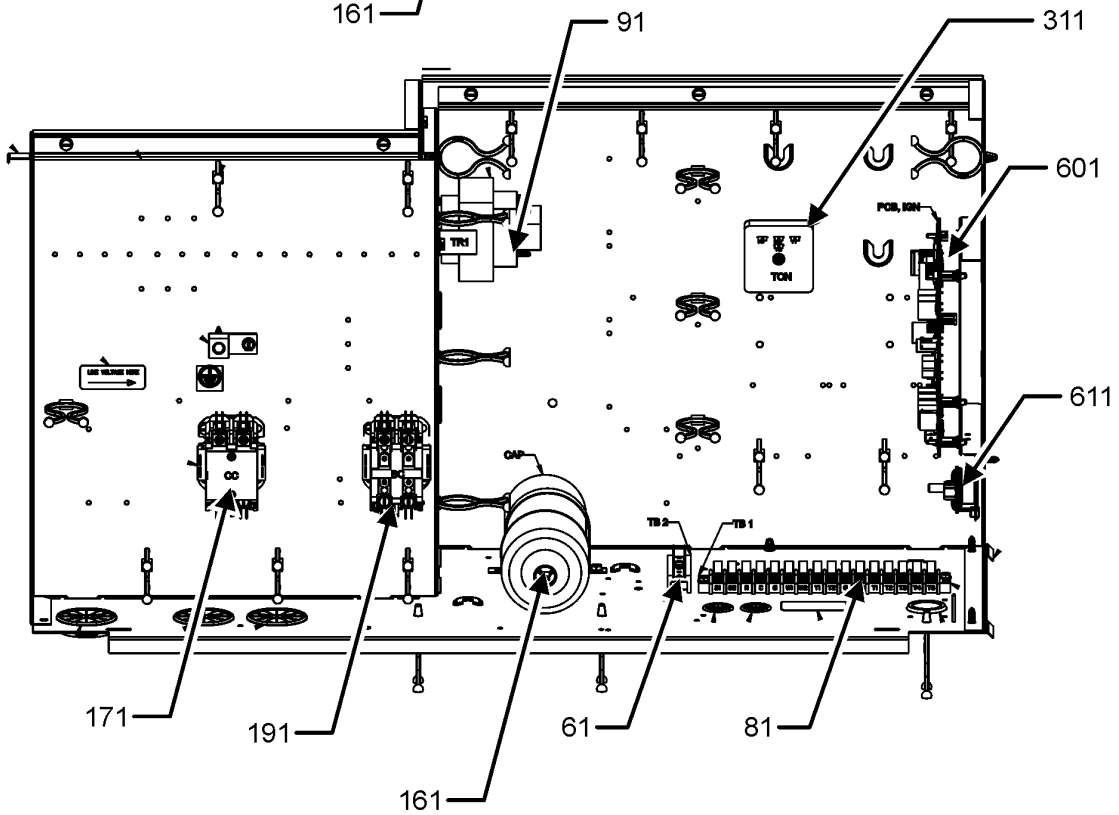
M1 - DFG0481DH00001SAA
M2 - DFG0481DL00001SAA
M3 - DFG0483DH00001SAA
M4 - DFG0483DL00001SAA
M5 - DFG0483DM00001SAA
M6 - DFG0484DH00001SAA
M7 - DFG0484DL00001SAA
M8 - DFG0484DM00001SAA
M9 - DFG0487DH00001SAA

# CONTROL BOX ASSEMBLY

CONTROL BOX ASSEMBLY



ULN ASSEMBLY



CONTROL BOX ASSEMBLY MAY DIFFER FROM WHAT IS SHOWN

# CONTROL BOX ASSEMBLY

Ref. Part No:	Part No:	Description:	Ref. Part No:	Part No:	Description:
---------------	----------	--------------	---------------	----------	--------------

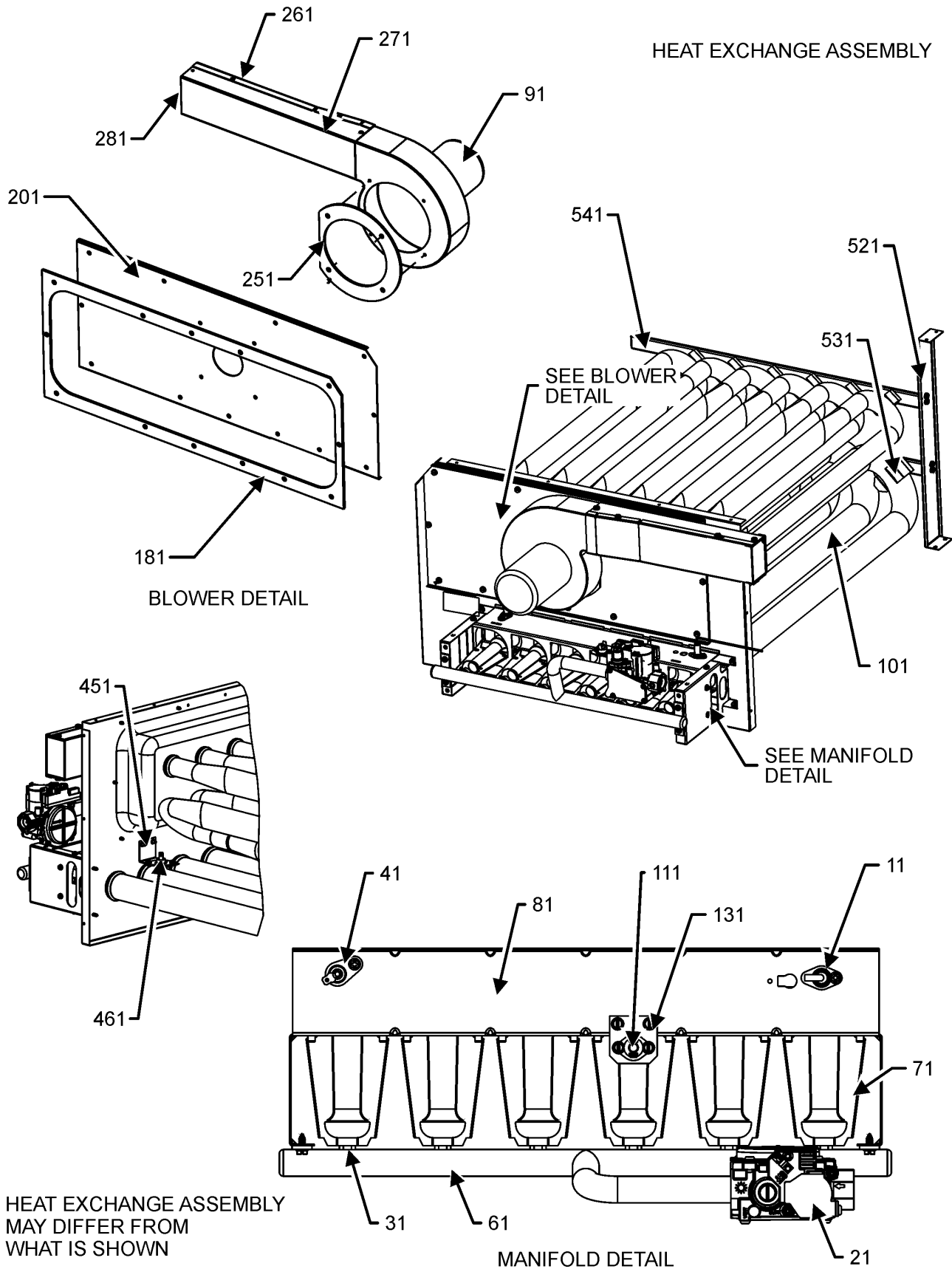
**Image 1:**

61	802007090	TERM BOARD			
81	0130M00038	TERMINAL BOARD			
91	0130M00598	TRANSFMR 75VA 575V TO 24V (M9)			
91	0130M00696	TRANSFORMER 208-240 TO 24V 75 (M1, M2, M3, M4, M5)			
91	0130M00595	TRANSFORMER, 75VA, 480V TO 24V (M6, M7, M8)			
171	CONT2P040024V	CONT, 2 POLE, 40 AMP, 24 VAC (M1, M2)			
171	CONT3P025024V	CONT, 3 POLE, 25 AMP, 24 VAC (M6, M7, M8, M9)			
171	CONT3P030024V	CONT, 3 POLE, 30 AMP, 24 VAC (M3, M4, M5)			
181	CONT2P025024V	CONT, 2 POLE, 25 AMP, 24 VAC			
191	CONT2P025024V	CONT, 2 POLE, 25 AMP, 24 VAC (M1, M2, M3, M4, M5)			
191	CONT3P025024V	CONT, 3 POLE, 25 AMP, 24 VAC (M6, M7, M8, M9)			
231	CAP100000440LA	CAP 10 MFD/440V/OVAL (M6, M7, M8)			
231	CAP100000370LA	CAP, 10 MFD/370V/OVAL (M3, M4, M5)			
231	CAP100450440CS	CAP, 10/45 MFD/ 440V DUAL RD (M1, M2)			
231	CAP050000440LA	CAPACITOR (M9)			
301	PCBAG123	PCB, IGNITION, DSI, INTEG			
701	0130M00596	TRANSFMR, 150VA, 480V TO 23 (M6, M7, M8)			
701	0130M00597	TRANSFMR, 150VA, 575V TO 230V (M9)			
NS	0164M00126	BOOT, CAPACITOR (M3, M4, M5, M6, M7, M8, M9)			
NS	0164M00079	BOOT-CAPACITOR, ROUND (M1, M2)			
NS	0130M00507	MOTOR POWER HARNESS (M1, M2, M3, M4, M5)			
NS	20520901	STRAP-CAPACITOR			
NS	0130M00506	X-13 LOW VOLTAGE WIRE HARNESS (M1, M2, M3, M4, M5)			

**Expanded Model Nomenclature**

M1 - DFG0481DH00001SAA
M2 - DFG0481DL00001SAA
M3 - DFG0483DH00001SAA
M4 - DFG0483DL00001SAA
M5 - DFG0483DM00001SAA
M6 - DFG0484DH00001SAA
M7 - DFG0484DL00001SAA
M8 - DFG0484DM00001SAA
M9 - DFG0487DH00001SAA

# HEAT EXCHANGE ASSEMBLY



# HEAT EXCHANGE ASSEMBLY

Ref. Part No:	Part No:	Description:	Ref. Part No:	Part No:	Description:
---------------	----------	--------------	---------------	----------	--------------

**Image 1:**

11	20261709	IGNITOR			
21	0151F00000P	GAS VALVE - WHITE-RODGERS 2-STAGE			
31	0163F00018	ORIFICE (QTY 5)			
41	0130F00010	FLAME SENSOR (M1, M3, M6, M9)			
41	0130M00719	FLAME SENSOR (M2, M4, M5, M7, M8)			
61	0163L00143	MANIFOLD, GAS 3 BURNER (M4, M7)			
61	0163L00026	MANIFOLD-GAS 4 BURNER (M2, M5, M8)			
61	0163L00029	MANIFOLD-GAS, 5 BURNER (M1, M3, M6, M9)			
71	0163F00017	BECKETT BURNER (QTY 5)			
81	0121L01362	BRACKET, BURNER 5 (M1, M3, M6, M9)			
81	0121L02668	BURNER BRACKET-3 (M4, M7)			
81	0121L02675	BURNER BRACKET-4 (M2, M5, M8)			
91	0131M00121	BLOWER-ID COMBUSTION			
101	0270L01363	ASSY, PANEL, PARTITION/TUBE, 3 (M4, M7)			
101	0270L01362	ASSY, PANEL, PARTITION/TUBE, 4 (M2, M5, M8)			
101	0270L01361	ASSY, PANEL, PARTITION/TUBE, 5 (M1, M3, M6, M9)			
111	10123532	LIMIT-RESET MAN-GRAY (M1, M3, M4, M6, M7, M9)			
111	10123529	LIMIT-RESET MAN-GREEN (M2, M5, M8)			
131	0121L00053	BRACKET-FLAME ROLLOUT			
181	0154L00018	GASKET-ID BLOWER PLATE 2,4 (M2, M4, M5, M7, M8)			
181	0154L00017	GASKET-ID BLOWER PLATE 6 (M1, M3, M6, M9)			
201	0121L03548	PLATE, ID BLOWER (M4, M7)			
201	0121L03549	PLATE, ID BLOWER (M1, M3, M6, M9)			
201	0121L03365	PLATE, ID BLOWER (M2, M5, M8)			
251	0154L00020	GASKET-ID BLOWER			
261	0121L00277	FLUE-CHANNEL			
271	0121L00278	FLUE-SIDE COVER			
281	0163L00072	SCREEEN-FLUE			
451	0121L03948	BRACKET, PRIMARY LIMIT			
461	0130F00035	LIMIT, PRIMARY (M1, M3, M6, M9)			
461	0130M00663	LIMIT, PRIMARY (M2, M5, M8)			
461	20162901	LIMIT, PRIMARY (M4, M7)			
521	0121L03320	BRACKET, TUBE SUPPORT			
531	0121L03125	BRACKET, TUBE (QTY 6)			
541	0121L02935	BRACKET, SUPPORT, TUBE			

**Expanded Model Nomenclature**

M1 - DFG0481DH00001SAA
M2 - DFG0481DL00001SAA
M3 - DFG0483DH00001SAA
M4 - DFG0483DL00001SAA
M5 - DFG0483DM00001SAA
M6 - DFG0484DH00001SAA
M7 - DFG0484DL00001SAA
M8 - DFG0484DM00001SAA
M9 - DFG0487DH00001SAA

# ACCESSORY PARTS LIST

NOTE: NOT ALL OPTIONS AVAILABLE FOR ALL PRODUCTS

FOR ACCESSORY PARTS SEE THE FOLLOWING PART MANUALS

**RP-FIOPS\***

**RP-EHX[B,D]\***



# ACCESSORY PARTS LIST

Ref. Part No:	No:	Description:	Ref. Part No:	No:	Description:
---------------	-----	--------------	---------------	-----	--------------

---

**Image 1:**

NS	RP-EHXIB,DIS*	ACCESSORY PART MANUAL
NS	RP-FIOPSC*	ACCESSORY PART MANUAL

**Expanded Model Nomenclature**

- M1 - DFG0481DH00001SAA
- M2 - DFG0481DL00001SAA
- M3 - DFG0483DH00001SAA
- M4 - DFG0483DL00001SAA
- M5 - DFG0483DM00001SAA
- M6 - DFG0484DH00001SAA
- M7 - DFG0484DL00001SAA
- M8 - DFG0484DM00001SAA
- M9 - DFG0487DH00001SAA