

---

## DFC 6 Ton Direct Drive Commercial Package Cooling Unit

DFC0723D000001SAA  
DFC0723W000001FAA  
DFC0724D000001SAA  
DFC0724W000001FAA  
DFC0727D000001SAA  
DFC0727W000001FAA



This manual is to be used by qualified technicians only.

# Important Information

---

## Index

Functional Parts List .....	3
Illustration and Parts .....	4 - 15

*Views shown are for parts illustrations only, not servicing procedures.*

### Text Codes:

AR - As Required

NA - Not Available

NS - Not Shown

00000000 - See Note

QTY - Quantity Example (QTY 3) (If Quantity not shown, Quantity = 1)

M - Model Example (M1) (If M Code not shown, then part is used on all Models)

### Expanded Model Nomenclature:

Example
M1 - Model#1
M2 - Model#2
M3 - Model#3

Daikin Comfort Technologies Manufacturing , L.P. is not responsible for personal injury or property damage resulting from improper service. Review all service information before beginning repairs.

Warranty service must be performed by an authorized technician, using authorized factory parts. If service is required after the warranty expires, Daikin Comfort Technologies Manufacturing , L.P. also recommends contacting an authorized technician and using authorized factory parts.

Daikin Comfort Technologies Manufacturing , L.P. reserves the right to discontinue, or change at any time, specifications or designs without notice or without incurring obligations.

For assistance within the U.S.A. contact:  
Equipment Support  
Daikin Comfort Technologies Manufacturing , L.P.  
19001 Kermier Road  
Waller, Texas 77484  
855-770-5678-Telephone  
713-863-2382-Facsimile

For assistance outside the U.S.A. contact:  
International Division  
Daikin Comfort Technologies Manufacturing , L.P.  
19001 Kermier Road  
Waller, Texas 77484  
713-861-2500-Telephone  
713-863-2382-Facsimile

# Functional Parts

## Part

## No: Description:

---

CAP100000440LA	CAP 10 MFD/440V/OVAL (M3, M4)
CAP100000370LA	CAP, 10 MFD/370V/OVAL (M1, M2)
CAP050000440LA	CAPACITOR (M5, M6)
ZPS60K5ETFD130	COMP, 60900, 460/60/3 2 STAGE (M3, M4)
ZPS60K5ETF5130	COMP, 61000, 200/230/60/3 2 ST (M1, M2)
ZPS60K5ETFE130	COMP, 61000, 575/60/3 2 STAGE (M5, M6)
CONT3P030024V	CONT, 3 POLE, 30 AMP, 24 VAC
CONT3P030024V	CONT, 3 POLE, 30 AMP, 24 VAC
0130M00178	DPDT RELAY 24VAC
B1086765	FAN BLADE, TYPE 3
0131M00430	MOTOR, 1/3 HP, 1 SP, 6 PL (M1, M2)
0131M00774	MOTOR, 1/3 HP, OD (M3, M4)
0131M00858	MOTOR, 1/3 HP, OD (M5, M6)
0131L00366	PROGRAM, MOTOR (M1, M3, M5)
0131L00367	PROGRAM, MOTOR (M2, M4, M6)
0130M00730	SWITCH, HIGH PRESSURE
0130M00732	SWITCH, LOW PRESSURE
0130M00038	TERMINAL BOARD
B1370772	TIME DELAY (ICM) 180 SEC DEL
0130M00598	TRANSFMR, 75VA, 575V TO 24V (M5, M6)
0130M00696	TRANSFORMER 208-240V TO 24V,75 (M1, M2)
0130M00595	TRANSFORMER, 75VA, 480V TO 24V (M3, M4)

### SPECIAL PARTS

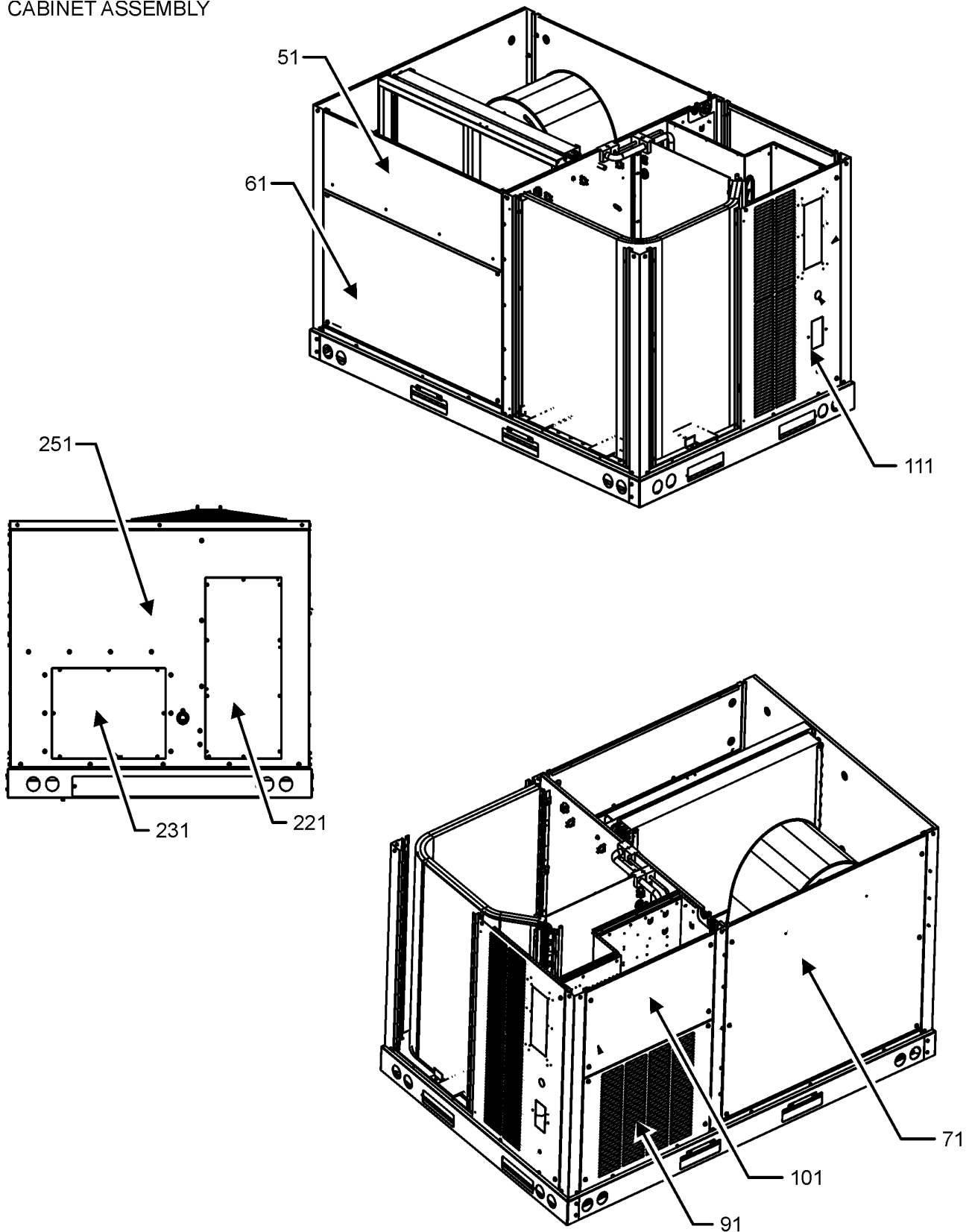
RP-FIOPSC\* ACCESSORY RP MANUAL

### Expanded Model Nomenclature

M1 - DFC0723D000001SAA
M2 - DFC0723W000001FAA
M3 - DFC0724D000001SAA
M4 - DFC0724W000001FAA
M5 - DFC0727D000001SAA
M6 - DFC0727W000001FAA

# CABINET ASSEMBLY

CABINET ASSEMBLY



CABINET ASSEMBLY MAY DIFFER FROM WHAT IS SHOWN

# CABINET ASSEMBLY

Ref. Part No:	No:	Description:	Ref. Part No:	No:	Description:
---------------	-----	--------------	---------------	-----	--------------

---

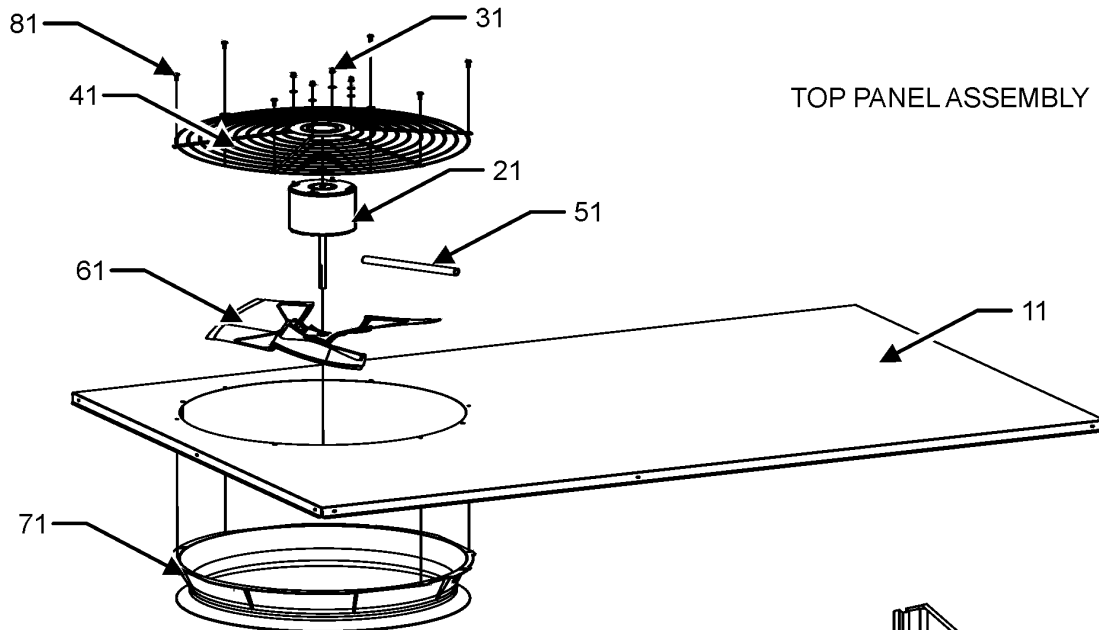
**Image 1:**

51	0121L01650SB	PAINTED FILTER PANEL
61	0121L01651SB	PAINTED ECONOMIZER PANEL
71	0121L02264SB	PAINTED BLOWER PANEL
91	0121L02265SB	PAINTED COMPRESSOR PANEL
101	0121L02262SB	PAINTED CONTROL BOX PANEL
111	0121L03643SB	PAINTED, COMPRESSOR BACK PANEL
221	0121L02910SB	PAINTED COVER-DUCT RETURN
231	0121L02911SB	PAINTED COVER-DUCT SUPPLY
251	0121L03346SB	PAINTED, DUCT PANEL

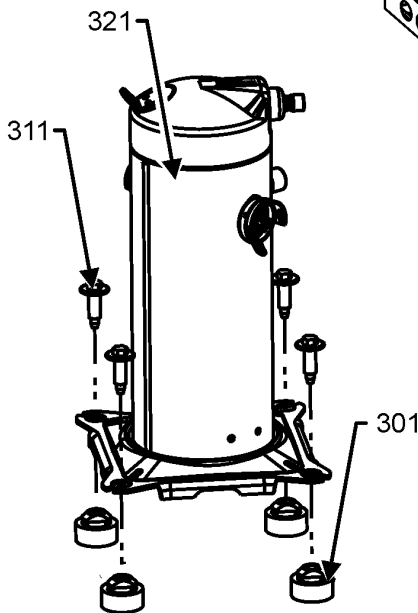
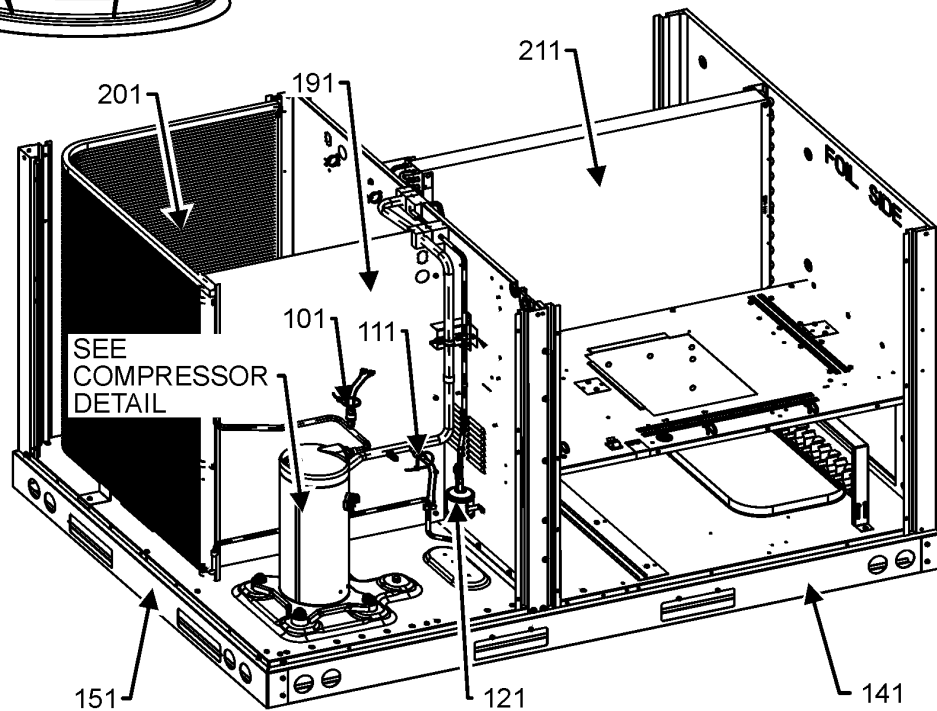
**Expanded Model Nomenclature**

M1 - DFC0723D000001SAA
M2 - DFC0723W000001FAA
M3 - DFC0724D000001SAA
M4 - DFC0724W000001FAA
M5 - DFC0727D000001SAA
M6 - DFC0727W000001FAA

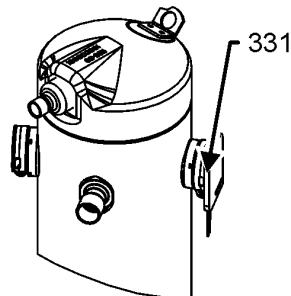
# TOP PANEL AND TUBING ASSEMBLY



TUBING ASSEMBLY



COMPRESSOR DETAIL



TUBING ASSEMBLY MAY DIFFER FROM WHAT IS SHOWN

# TOP PANEL AND TUBING ASSEMBLY

Ref. Part No: No:	Description:	Ref. Part No: No:	Description:
-------------------	--------------	-------------------	--------------

**Image 1:**

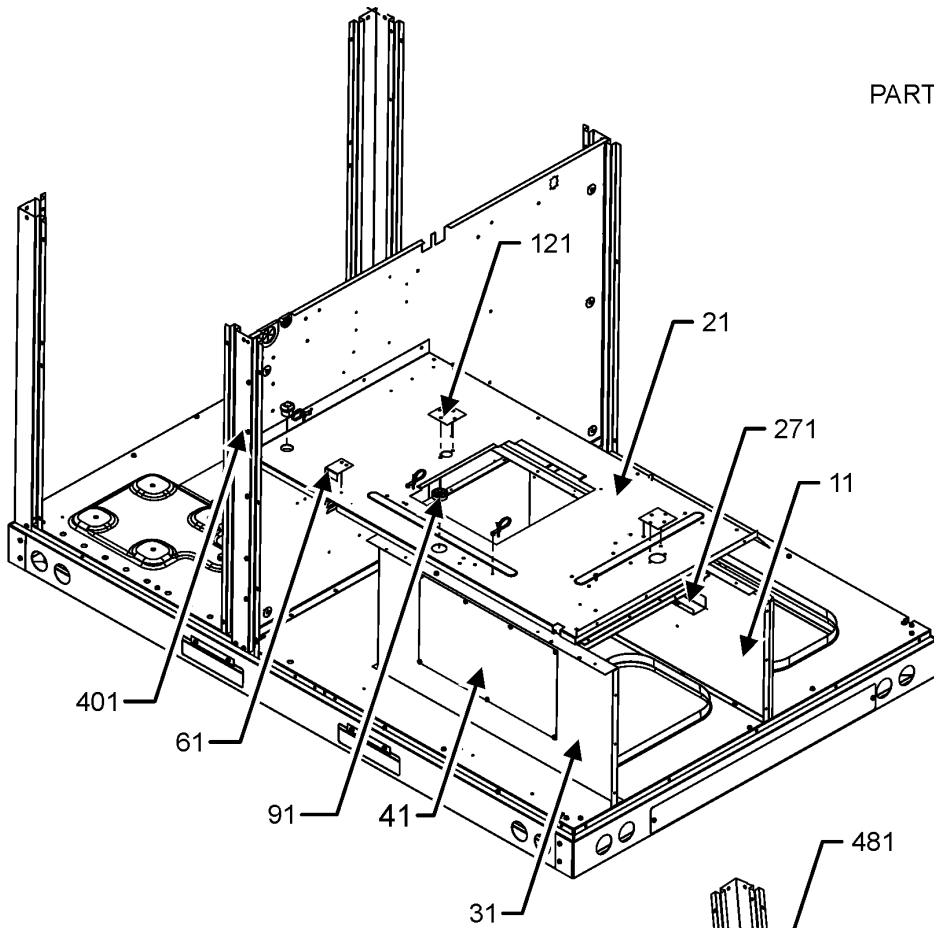
11	0121L01626SB	PAINTED, TOP PANEL
21	0131M00430	MOTOR, 1/3 HP, 1 SP, 6 PL (M1, M2)
21	0131M00774	MOTOR, 1/3 HP, OD (M3, M4)
21	0131M00858	MOTOR, 1/3 HP, OD (M5, M6)
31	0163M00006P	ACORN NUT 5/16 HEX BLACK (QTY 4)
41	0152G00000	FAN GRILLE, RAISED
51	0161R00003P	CONDUIT
61	B1086765	FAN BLADE, TYPE 3
71	0161R00048	MOLDED RING-VENTURI 22
81	0163M00004	SCREW #10X3/4", BLACK (QTY 8)
101	0130M00732	SWITCH, LOW PRESSURE
111	0130M00730	SWITCH, HIGH PRESSURE
121	0162R00056	FILTER/DRIER-BI-FLOW
141	0121L01620	SMALL SIDE RAIL (QTY 2)
151	0121L01621	SMALL END RAIL
191	0121L04267	OD COIL BLOCKOFF
201	0201L00772	ASSY., COIL BENT
211	0202L00454	ASSY. ID. COIL TUBING
301	B1339533	COMPRESSOR GROMMET (QTY 4)
311	B1393740	COMP. BOLT & SLEEVE (QTY 4)
321	ZPS60K5ETFD130	COMP, 60900, 460/60/3 2 STAGE (M3, M4)
321	ZPS60K5ETF5130	COMP, 61000, 200/230/60/3 2 ST (M1, M2)
321	ZPS60K5ETFE130	COMP, 61000, 575/60/3 2 STAGE (M5, M6)
331	0159L00065	Harness, comp scroll
NS	0251L00131	ASSY., EXPANSION VALVE
NS	0141L00003X	BOARD-FORK (QTY 2)
NS	0159G00010	CABLE COMPR SOL
NS	0121L03516	PNL, BRACKET, FORK BOARD (QTY 4)
NS	0163M00005P	WASHER, BLACK (.50 OD .218ID) (QTY 4)

**Expanded Model Nomenclature**

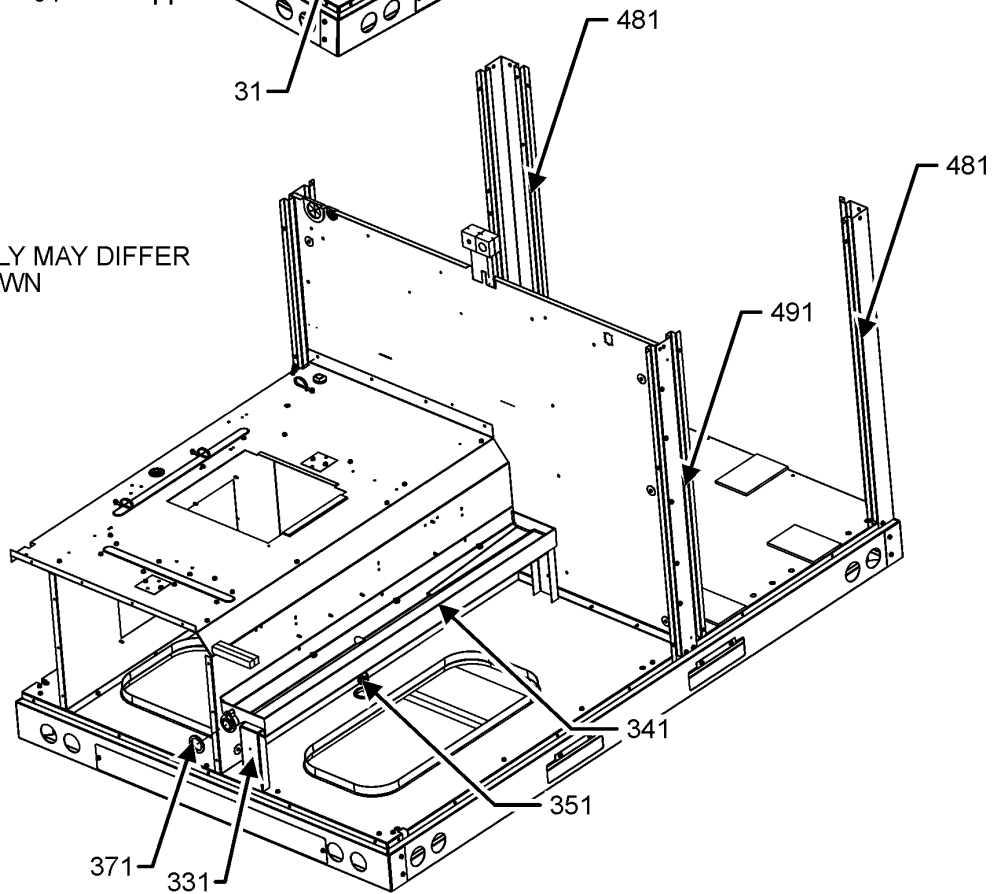
M1 - DFC0723D000001SAA
M2 - DFC0723W000001FAA
M3 - DFC0724D000001SAA
M4 - DFC0724W000001FAA
M5 - DFC0727D000001SAA
M6 - DFC0727W000001FAA

# PARTITION ASSEMBLY

## PARTITION ASSEMBLY



PARTITION ASSEMBLY MAY DIFFER FROM WHAT IS SHOWN





# PARTITION ASSEMBLY

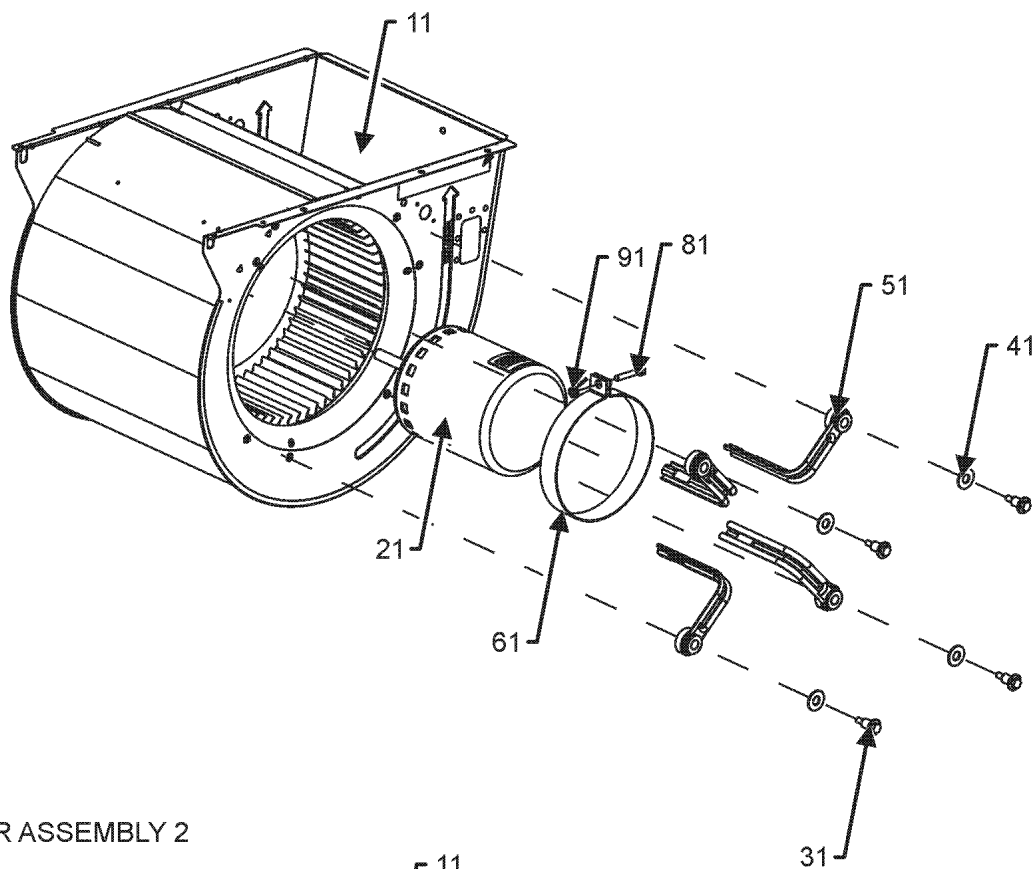
Ref. Part No:	No:	Description:	Ref. Part No:	No:	Description:
<b>Image 1:</b>					
11	0121L02584	BLOWER DECK SIDE			
21	0121L04695	PANEL, BLOWER DECK			
31	0121L04424	HEAT KIT BOX			
41	0121L00144	COVER-ELECTRIC HEAT			
61	0121L01709	BLOWER DECK PLATE			
91	B1392147	UNIVERSIAL BUSHING WITH SLICE			
121	0121L00321	COVER-SMOKE DETECTOR (QTY 2)			
271	0121L02633	BLOWER DECK U-BRACKET			
331	0121L01628	DRAINPAN SUPPORT			
341	0161L00007	DRAIN PAN, EVAPORATOR 3-5 TON			
351	0163L00071	PLUG, DRAIN			
371	0154L00180	GASKET, DRAIN PAN			
401	0121L03445SB	PAINTED, SIDE POST			
481	0121L01625SB	PAINTED CORNER POST (QTY 2)			
491	0121L04308SB	PAINTED, SIDE POST			
NS	0160L00136	AIR FILTER (QTY 2)			
NS	0160L00173	AIR FILTER (QTY 2)			
NS	0164M00111	GROMMET-D			
NS	0164G00005	GROMMET-HORSESHOW 1.675			
NS	0121L02260	OD COIL BLOCKOFF ANGLE			
NS	0121L03515	RETAINER - ELECTRIC HEAT			

## Expanded Model Nomenclature

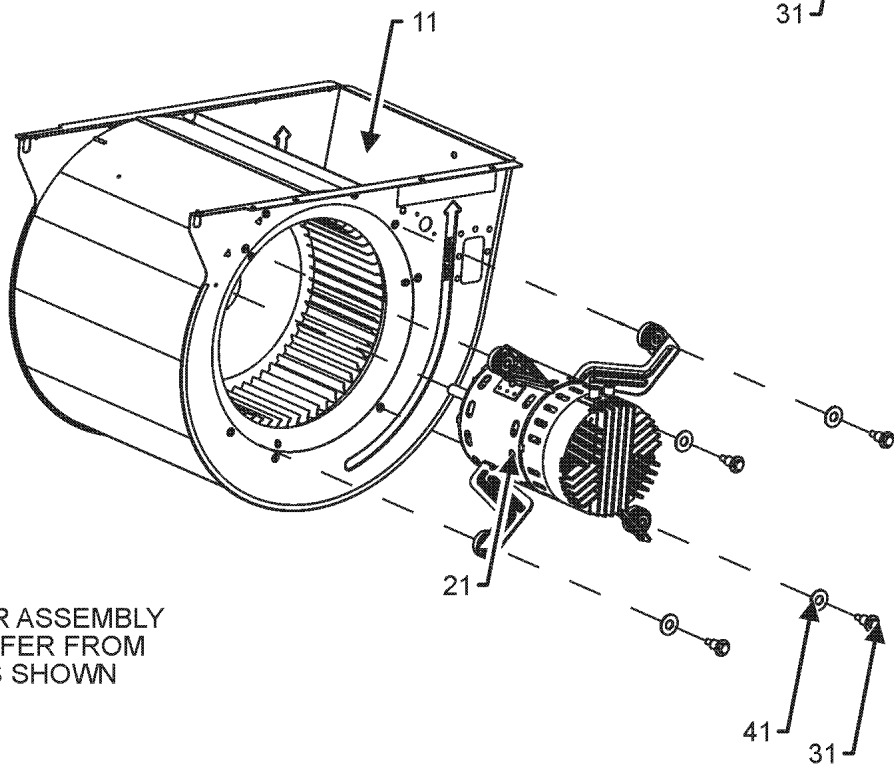
- |                        |
|------------------------|
| M1 - DFC0723D000001SAA |
| M2 - DFC0723W000001FAA |
| M3 - DFC0724D000001SAA |
| M4 - DFC0724W000001FAA |
| M5 - DFC0727D000001SAA |
| M6 - DFC0727W000001FAA |

# BLOWER ASSEMBLY

## BLOWER ASSEMBLY 1



## BLOWER ASSEMBLY 2



BLOWER ASSEMBLY  
MAY DIFFER FROM  
WHAT IS SHOWN

# BLOWER ASSEMBLY

Ref. Part No: No:	Description:	Ref. Part No: No:	Description:
----------------------	--------------	----------------------	--------------

---

**Image 1:**

11	0271L00137	ASSY., BLOWER HOUSING
21	0131L00366	PROGRAM, MOTOR (M1, M3, M5)
21	0131L00367	PROGRAM, MOTOR (M2, M4, M6)
31	M0250565	SCREW-TC 1.25" (QTY 4)
41	B1392918	WASHER, FLAT 1/4 ID X 1 OD (QTY 4)

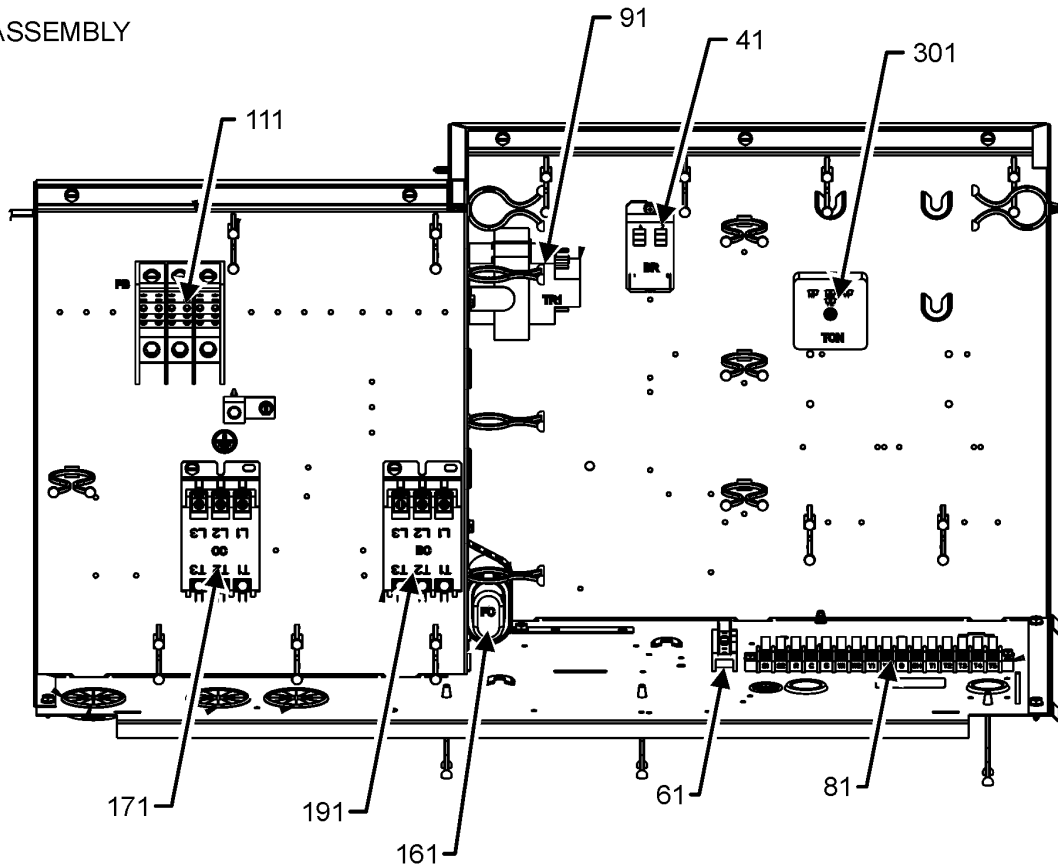
**Expanded Model Nomenclature**

M1 - DFC0723D000001SAA
M2 - DFC0723W000001FAA
M3 - DFC0724D000001SAA
M4 - DFC0724W000001FAA
M5 - DFC0727D000001SAA
M6 - DFC0727W000001FAA

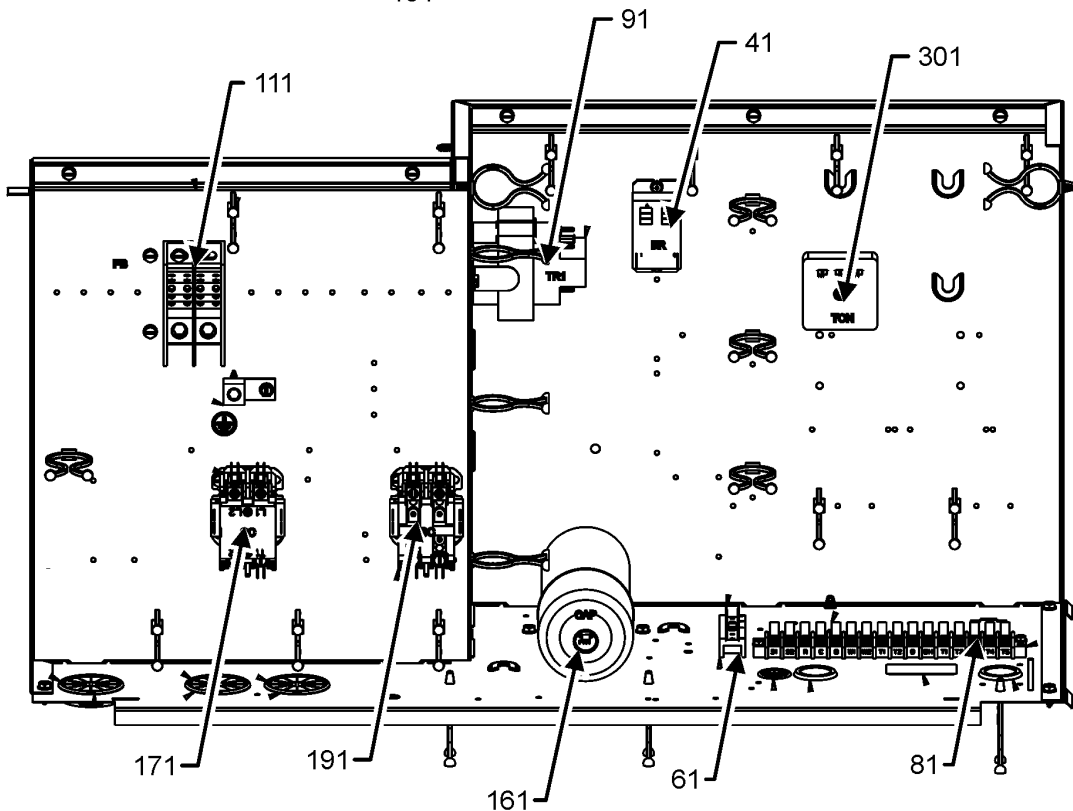
# CONTROL BOX ASSEMBLY

## CONTROL BOX ASSEMBLY

3 PHASE



1 PHASE



CONTROL BOX ASSEMBLY MAY DIFFER FROM WHAT IS SHOWN

# CONTROL BOX ASSEMBLY

Ref. Part No:	No:	Description:	Ref. Part No:	No:	Description:
---------------	-----	--------------	---------------	-----	--------------

---

**Image 1:**

41	0130M00178	DPDT RELAY 24VAC
61	802007090	TERM BOARD
81	0130M00038	TERMINAL BOARD
91	0130M00598	TRANSFMR, 75VA, 575V TO 24V (M5, M6)
91	0130M00696	TRANSFORMER 208-240V TO 24V,75 (M1, M2)
91	0130M00595	TRANSFORMER, 75VA, 480V TO 24V (M3, M4)
111	0130M00509	BLOCK,POWER
161	CAP100000440LA	CAP 10 MFD/440V/OVAL (M3, M4)
161	CAP100000370LA	CAP, 10 MFD/370V/OVAL (M1, M2)
161	CAP050000440LA	CAPACITOR (M5, M6)
171	CONT3P030024V	CONT, 3 POLE, 30 AMP, 24 VAC
191	CONT3P030024V	CONT, 3 POLE, 30 AMP, 24 VAC
301	B1370772	TIME DELAY (ICM) 180 SEC DEL
NS	0164M00126	BOOT, CAPACITOR
NS	20520901	STRAP-CAPACITOR

**Expanded Model Nomenclature**

M1 - DFC0723D000001SAA
M2 - DFC0723W000001FAA
M3 - DFC0724D000001SAA
M4 - DFC0724W000001FAA
M5 - DFC0727D000001SAA
M6 - DFC0727W000001FAA

# ACCESSORY PARTS LIST

NOTE: NOT ALL OPTIONS AVAILABLE FOR ALL PRODUCTS

FOR ACCESSORY PARTS SEE THE FOLLOWING PART MANUAL

## RP-FIOPSC

# ACCESSORY PARTS

**Ref. Part**

**No: No:**

**Description:**

**Ref. Part**

**No: No:**

**Description:**

---

**Image 1:**

NS RP-FIOPSC\* ACCESSORY RP MANUAL

**Expanded Model Nomenclature**

M1 - DFC0723D000001SAA

M2 - DFC0723W000001FAA

M3 - DFC0724D000001SAA

M4 - DFC0724W000001FAA

M5 - DFC0727D000001SAA

M6 - DFC0727W000001FAA