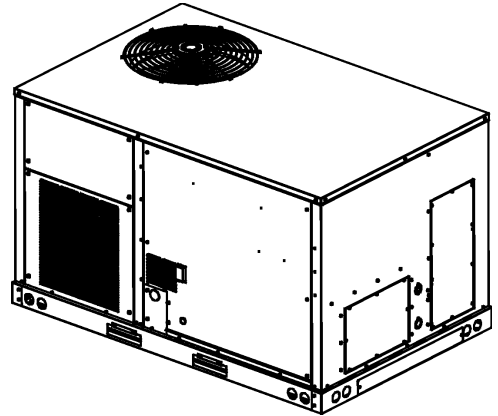


Commercial 5 Ton ULN (DFG) Package Gas Unit

DFG0601D100001FAA
DFG0601D800001FAA
DFG0603D100001FAA
DFG0603D800001FAA
DFG0604D100001FAA
DFG0604D800001FAA



This manual is to be used by qualified technicians only.

Important Information

Index

Functional Parts List	3
Illustration and Parts	4 - 17

Views shown are for parts illustrations only, not servicing procedures.

Text Codes:

AR - As Required

NA - Not Available

NS - Not Shown

00000000 - See Note

QTY - Quantity Example (QTY 3) (If Quantity not shown, Quantity = 1)

M - Model Example (M1) (If M Code not shown, then part is used on all Models)

Expanded Model Nomenclature:

Example
M1 - Model#1
M2 - Model#2
M3 - Model#3

Daikin Comfort Technologies Manufacturing , L.P. is not responsible for personal injury or property damage resulting from improper service. Review all service information before beginning repairs.

Warranty service must be performed by an authorized technician, using authorized factory parts. If service is required after the warranty expires, Daikin Comfort Technologies Manufacturing , L.P. also recommends contacting an authorized technician and using authorized factory parts.

Daikin Comfort Technologies Manufacturing , L.P. reserves the right to discontinue, or change at any time, specifications or designs without notice or without incurring obligations.

For assistance within the U.S.A. contact:
Equipment Support
Daikin Comfort Technologies Manufacturing , L.P.
19001 Kermier Road
Waller, Texas 77484
855-770-5678-Telephone
713-863-2382-Facsimile

For assistance outside the U.S.A. contact:
International Division
Daikin Comfort Technologies Manufacturing , L.P.
19001 Kermier Road
Waller, Texas 77484
713-861-2500-Telephone
713-863-2382-Facsimile

Functional Parts

Part No: **Description:**

0151M00098	36G VALVE ULN
0251L00123	ASSY., EXPANSION VALVE
0150L00003	BLADE-FAN 22" ALUM. CCW 30 DEG
CAP100000440LA	CAP 10 MFD/440V/OVAL (M5, M6)
CAP100000370LA	CAP, 10 MFD/370V/OVAL (M3, M4)
CAP100700440CT	CAP, 10/70 MFD/ 440V/ DUAL RD (M1, M2)
ZP51K5EPFV130	COMP,51000,208/230/60/1 (M1, M2)
ZP51K5ETF5130	COMP,51000,208/230/60/3 (M3, M4)
ZP51K5ETFD130	COMP,51000,460/60/3 (M5, M6)
CONT2P025024V	CONT, 2 POLE, 25 AMP, 24 VAC (M1, M2, M3, M4)
CONT2P040024V	CONT, 2 POLE, 40 AMP, 24 VAC (M1, M2)
CONT3P025024V	CONT, 3 POLE, 25 AMP, 24 VAC (M5, M6)
CONT3P025024V	CONT, 3 POLE, 25 AMP, 24 VAC (M5, M6)
CONT3P030024V	CONT, 3 POLE, 30 AMP, 24 VAC (M3, M4)
0130F00762	FLAME SENSOR
0131M00949	ID MOTOR (M5, M6)
0130L00253	ID PLUG
0130M00684	IGNITION MODULE
0130M00684	IGNITION MODULE
0130M00817	IGNITOR, SPARK ELECTRODE
PCBBL216	INTEGRATED FURNACE CONTROLLER
0130F00035	LIMIT, PRIMARY
20162904	LIMIT, PRIMARY
0131M00972	MOTOR VENT
0131M00913	MOTOR, 1HP, SERIAL ECM (M1, M2, M3, M4)
0131L00355	PROGRAM, MOTOR (M3)
0131L00352	PROGRAM, MOTOR (M2)
0131L00354	PROGRAM, MOTOR (M4)
0131L00357	PROGRAM, MOTOR (M5)
0131L00356	PROGRAM, MOTOR (M6)
0131L00353	PROGRAM, MOTOR (M1)
0130G00017	SWITCH, HIGH LIMIT, ULN (M2, M4, M6)
0130G00021	SWITCH, HIGH LIMIT, ULN (M1, M3, M5)
0130M00730	SWITCH, HIGH PRESSURE
0130M00732	SWITCH, LOW PRESSURE
0130M00038	TERMINAL BOARD
B1370772	TIME DELAY ICM 180 SEC DELA
0130M00695	TRANSDUCER PRESSURE
0130M00596	TRANSFMR, 150VA, 480V TO 23 (M5, M6)
0130M00696	TRANSFORMER 208-240V TO 24V,75 (M1, M2, M3, M4)
0130M00595	TRANSFORMER, 75VA, 480V TO 24V (M5, M6)

Expanded Model Nomenclature

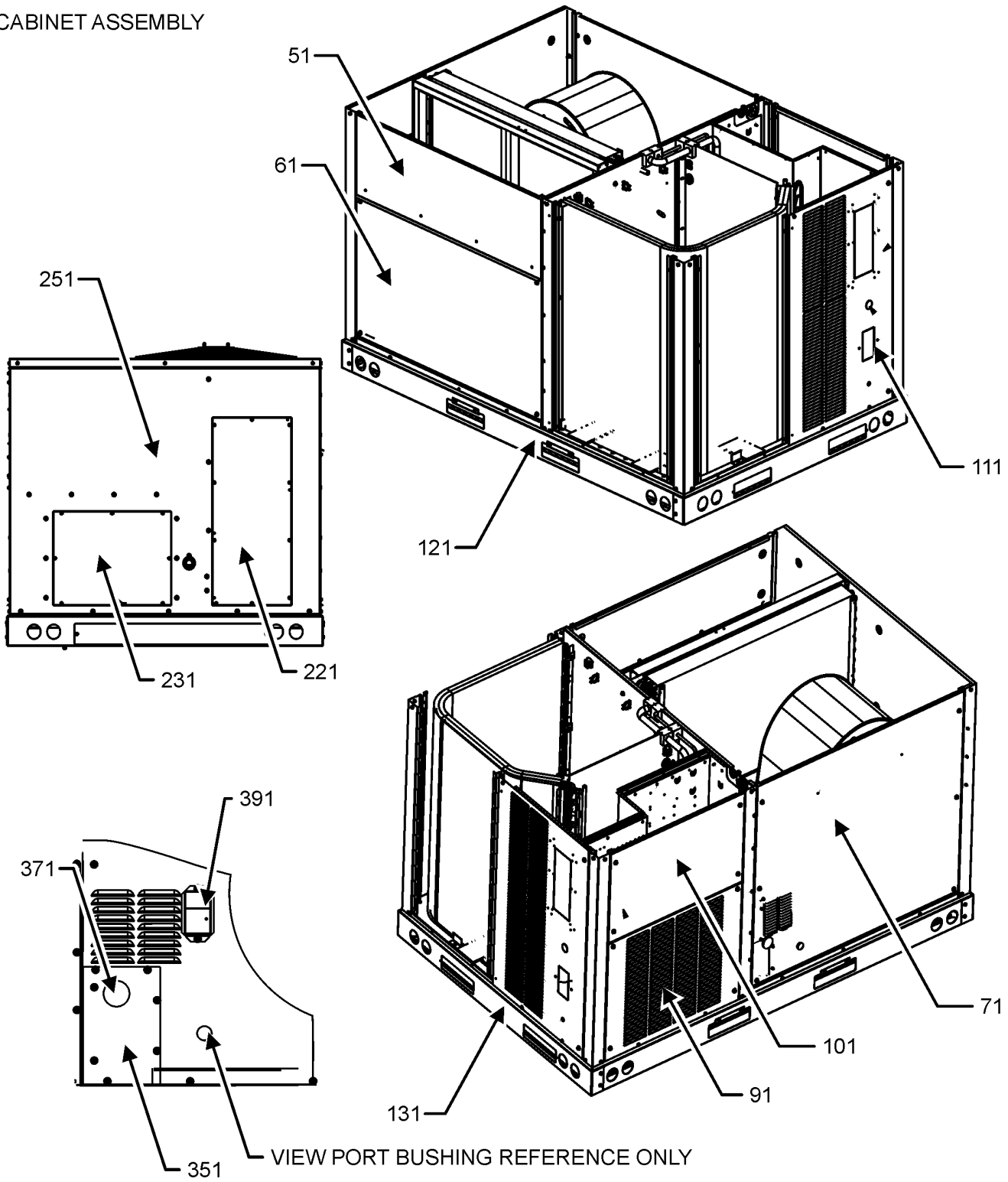
M1 - DFG0601D100001FAA
M2 - DFG0601D800001FAA
M3 - DFG0603D100001FAA
M4 - DFG0603D800001FAA
M5 - DFG0604D100001FAA
M6 - DFG0604D800001FAA

SPECIAL PARTS

RP-EHSDS*	ACCESSORY PART MANUAL
RP-EHSBS*	ACCESSORY PART MANUAL
RP-EHXDS*	ACCESSORY PART MANUAL
RP-EHXBS*	ACCESSORY PART MANUAL
RP-FIOPS*	ACCESSORY PART MANUAL

CABINET ASSEMBLY

CABINET ASSEMBLY



NOTE: CABINET ASSEMBLY MAY DIFFER FROM WHAT IS SHOWN

CABINET ASSEMBLY

Ref. Part No: No:	Description:	Ref. Part No: No:	Description:
------------------------------	---------------------	------------------------------	---------------------

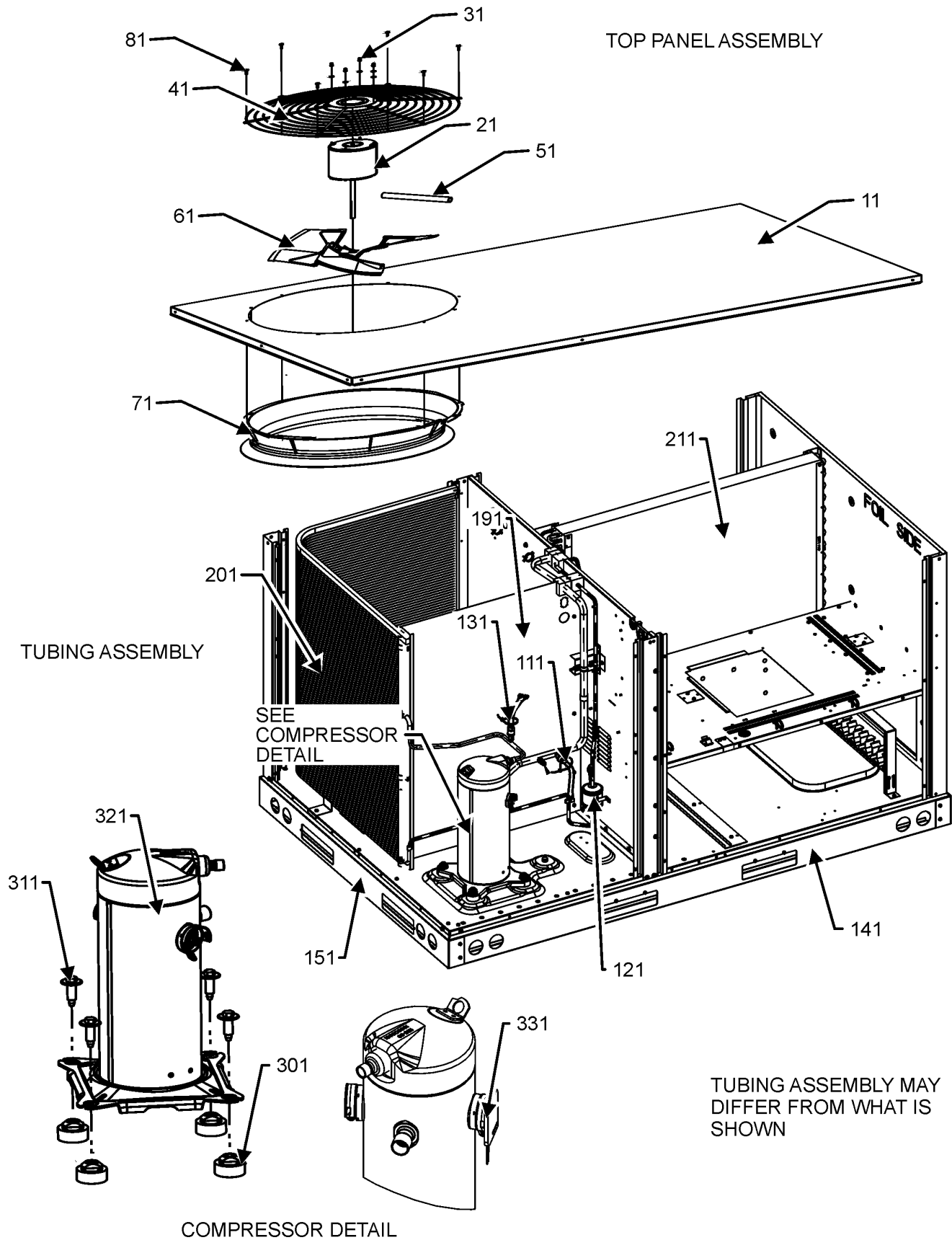
Image 1:

51	0121L01734SB	PAINTED FILTER PANEL
61	0121L01651SB	PAINTED ECONOMIZER PANEL
71	0121L03754SB	PAINTED PANEL GAS BLOWER
91	0121L02263SB	PAINTED COMPRESSOR PANEL
101	0121L02262SB	PAINTED CONTROL BOX PANEL
111	0121L03642SB	COMPRESSOR BACK PANEL
121	0121L01620	SIDE RAIL (QTY 2)
131	0121L01621	END RAIL
221	0121L02910SB	PAINTED COVER-DUCT RETURN
231	0121L02911SB	PAINTED COVER-DUCT SUPPLY
251	0121L02996SB	PAINTED BACK PANEL
351	0121L03443SB	PAINTED, GAS INLET PANEL
371	B1910010	GROMMET, GAS LINE
391	0121L03288SB	PAINTED COLLAR FLUE
NS	0121L03931	HEAT EXCHANGER FLASHING

Expanded Model Nomenclature

M1 - DFG0601D100001FAA
M2 - DFG0601D800001FAA
M3 - DFG0603D100001FAA
M4 - DFG0603D800001FAA
M5 - DFG0604D100001FAA
M6 - DFG0604D800001FAA

TOP PANEL & TUBING ASSEMBLY



COMPRESSOR DETAIL

TOP PANEL & TUBING ASSEMBLY

Ref. Part No:	Part No:	Description:	Ref. Part No:	Part No:	Description:
---------------	----------	--------------	---------------	----------	--------------

Image 1:

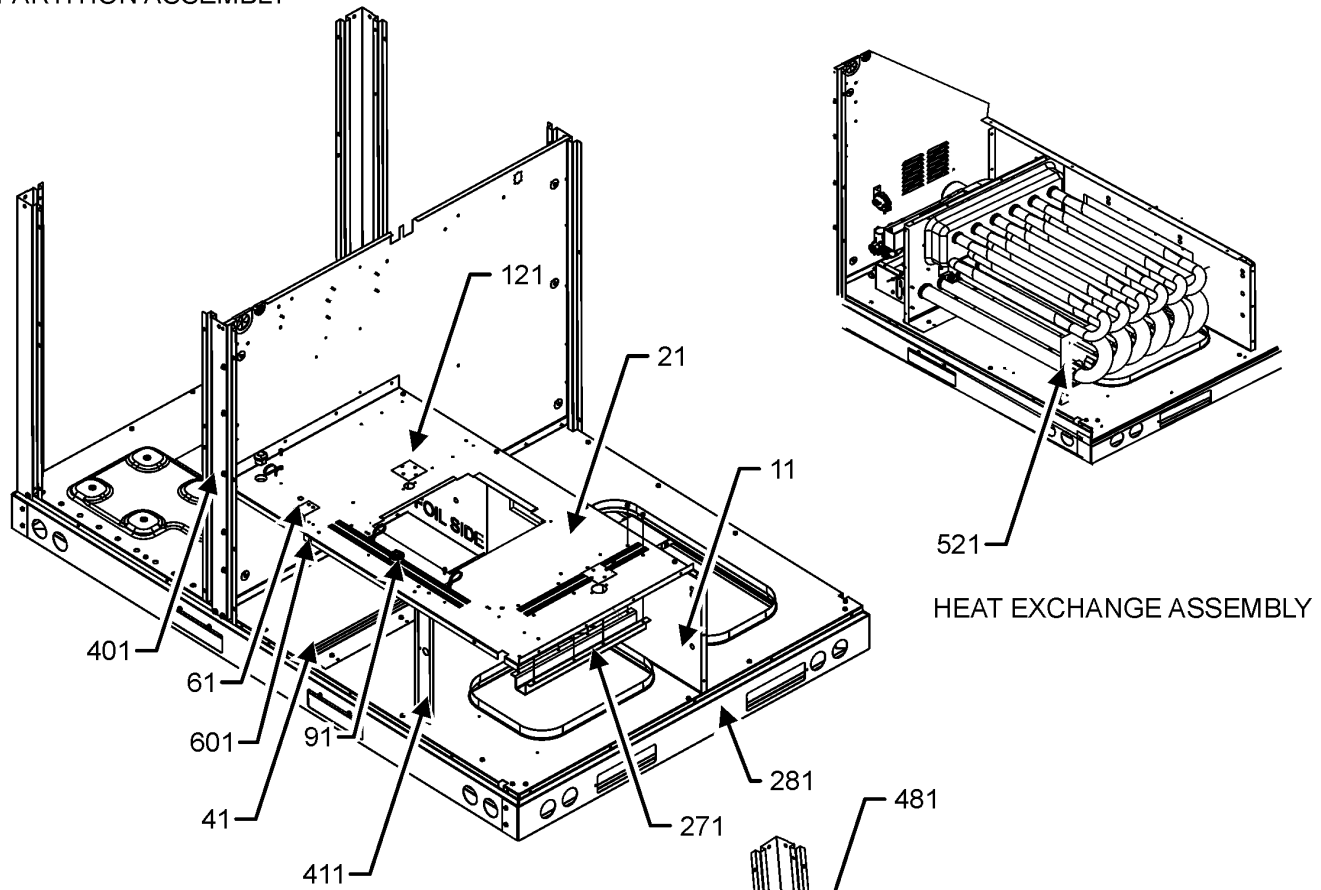
11	0121L01626SB	PAINTED, TOP PANEL
21	0131M00949	ID MOTOR (M5, M6)
21	0131M00913	MOTOR, 1HP, SERIAL ECM (M1, M2, M3, M4)
31	0163M00006P	ACORN NUT 5/16 HEX BLACK (QTY 4)
41	0152G00000	FAN GRILLE, RAISED
51	0161R00003P	CONDUIT
61	0150L00003	BLADE-FAN 22" ALUM. CCW 30 DEG
71	0161L00000	RING VENTURI 22
81	0163M00004	SCREW #10X3/4", BLACK (QTY 8)
111	0130M00732	SWITCH, LOW PRESSURE
121	0162R00056	FILTER/DRIER-BI-FLOW
131	0130M00730	SWITCH, HIGH PRESSURE
141	0121L01620	SMALL SIDE RAIL (QTY 2)
151	0121L01621	SMALL END RAIL
191	0121L04599	BLOCKOFF OD COIL
201	0201L00781	ASSY COIL BEND
211	0202L00447	ASSY ID COIL TUBING
301	B1339533	COMPRESSOR GROMMET (QTY 4)
311	B1393740	COMP. BOLT & SLEEVE (QTY 4)
321	ZP51K5EPFV130	COMP,51000,208/230/60/1 (M1, M2)
321	ZP51K5ETF5130	COMP,51000,208/230/60/3 (M3, M4)
321	ZP51K5ETFD130	COMP,51000,460/60/3 (M5, M6)
331	0159L00065	HARNESS, COMP SCROLL (M3, M4, M5, M6)
331	0159L00027	HARNESS-COMP SCROLL (M1, M2)
NS	0251L00123	ASSY., EXPANSION VALVE
NS	0141L00003X	BOARD-FORK (QTY 2)
NS	0121L03516	PNL, BRACKET, FORK BOARD (QTY 4)
NS	0163M00005P	WASHER, BLACK (.50 OD .218ID) (QTY 4)

Expanded Model Nomenclature

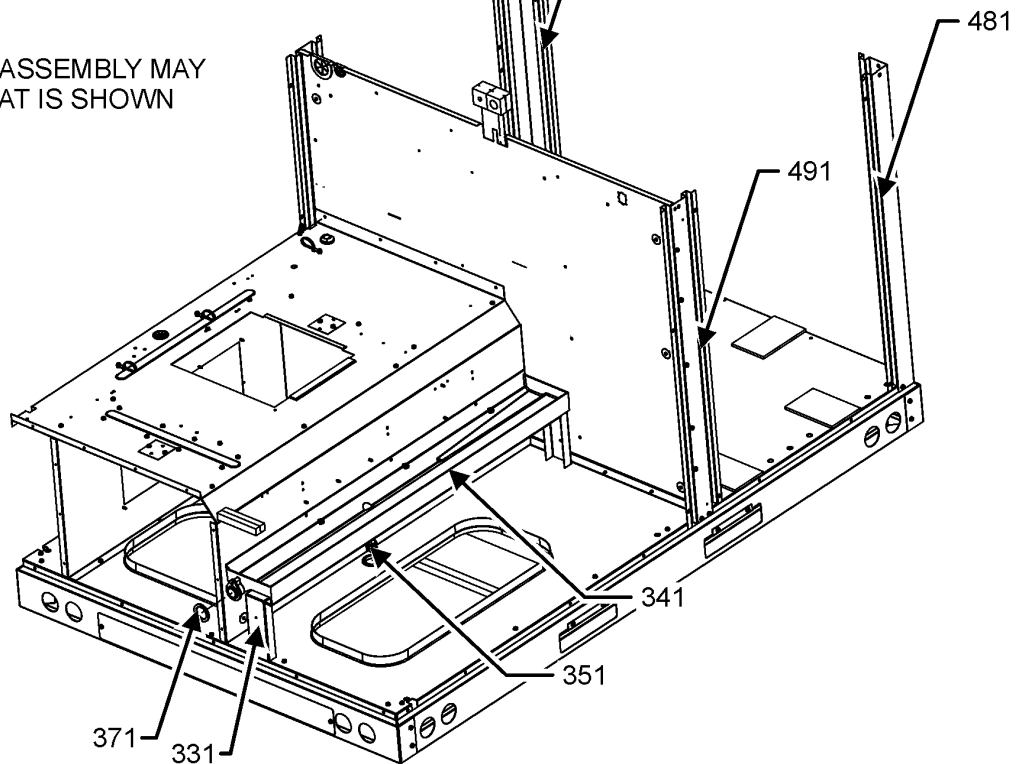
M1 - DFG0601D100001FAA
M2 - DFG0601D800001FAA
M3 - DFG0603D100001FAA
M4 - DFG0603D800001FAA
M5 - DFG0604D100001FAA
M6 - DFG0604D800001FAA

PARTITION ASSEMBLY

PARTITION ASSEMBLY



NOTE: PARTITION ASSEMBLY MAY DIFFER FROM WHAT IS SHOWN



PARTITION ASSEMBLY

Ref. Part No:	Part No:	Description:	Ref. Part No:	Part No:	Description:
---------------	----------	--------------	---------------	----------	--------------

Image 1:

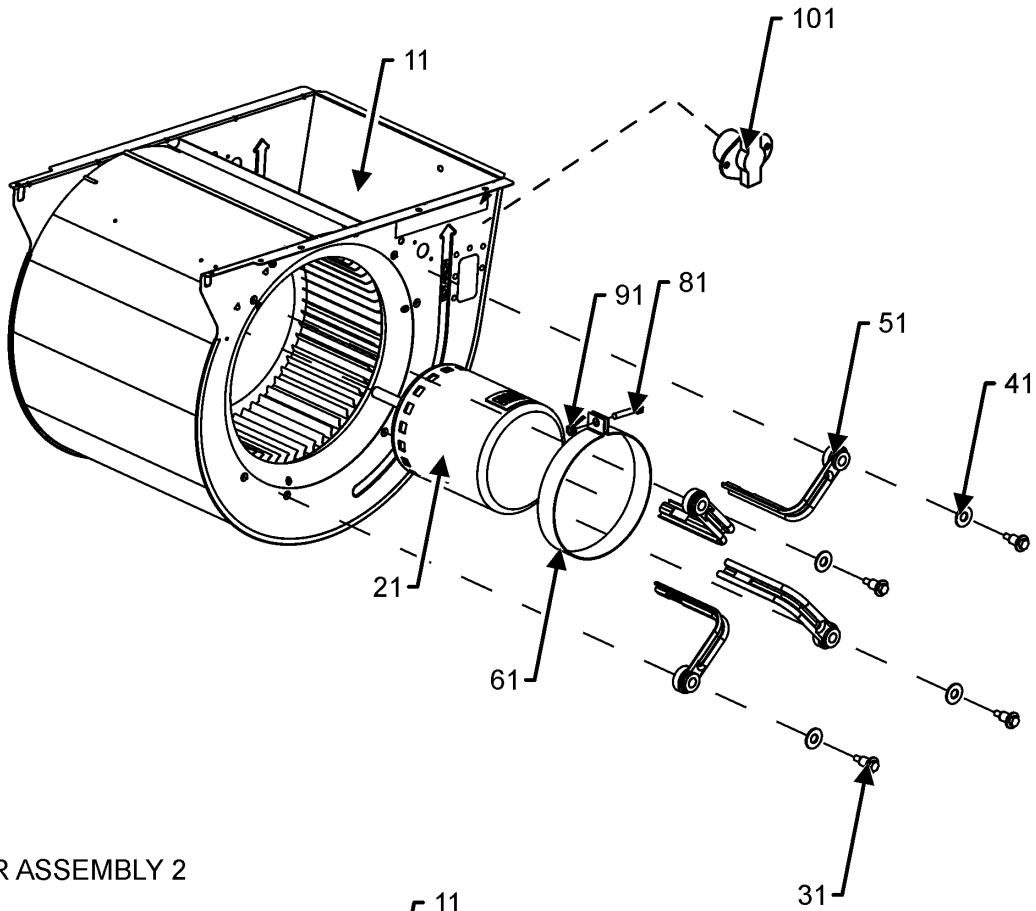
11	0121L02584	BLOWER DECK SIDE
21	0121L04695	PANEL, BLOWER DECK
41	0121L00266	CHANNEL-HEAT PANEL (QTY 2)
61	0121L01709	BLOWER DECK PLATE
91	B1392147	UNIVERSIAL BUSHING WITH SLICE
121	0121L00321	COVER-SMOKE DETECTOR (QTY 2)
271	0121L02633	BLOWER DECK U-BRACKET
281	0121L04776	END RAIL
331	0121L02985	DRAINPAN SUPPORT
341	0161L00007	DRAIN PAN, EVAPORATOR 3-5 TON
351	0163L00071	PLUG, DRAIN
371	0154L00180	GASKET, DRAIN PAN
401	0121L03442SB	PAINTED SIDE POST
411	0121L00300	POST-DECK SUPPORT
481	0121L01728SB	PAINTED CORNER POST (QTY 2)
491	0121L04180SB	PANITED SIDE POST
521	0121L03320	BRACKET, TUBE SUPPORT
601	0130M00684	IGNITION MODULE
NS	0160L00137	AIR FILTER 20X25X2 (QTY 2)
NS	0121L00293	ANGLE-HEAT EXCHANGER BACK (QTY 2)
NS	0121L03125	BRACKET, TUBE (QTY 6)
NS	0121L02935	BRACKET, TUBE SUPPORT
NS	0164M00111	GROMMET-D
NS	0164G00005	GROMMET-HORSESHOW 1.675
NS	0121L01811	HORIZONTAL SUPPORT (QTY 2)
NS	0121L01954	OD COIL BLOCKOFF ANGLE

Expanded Model Nomenclature

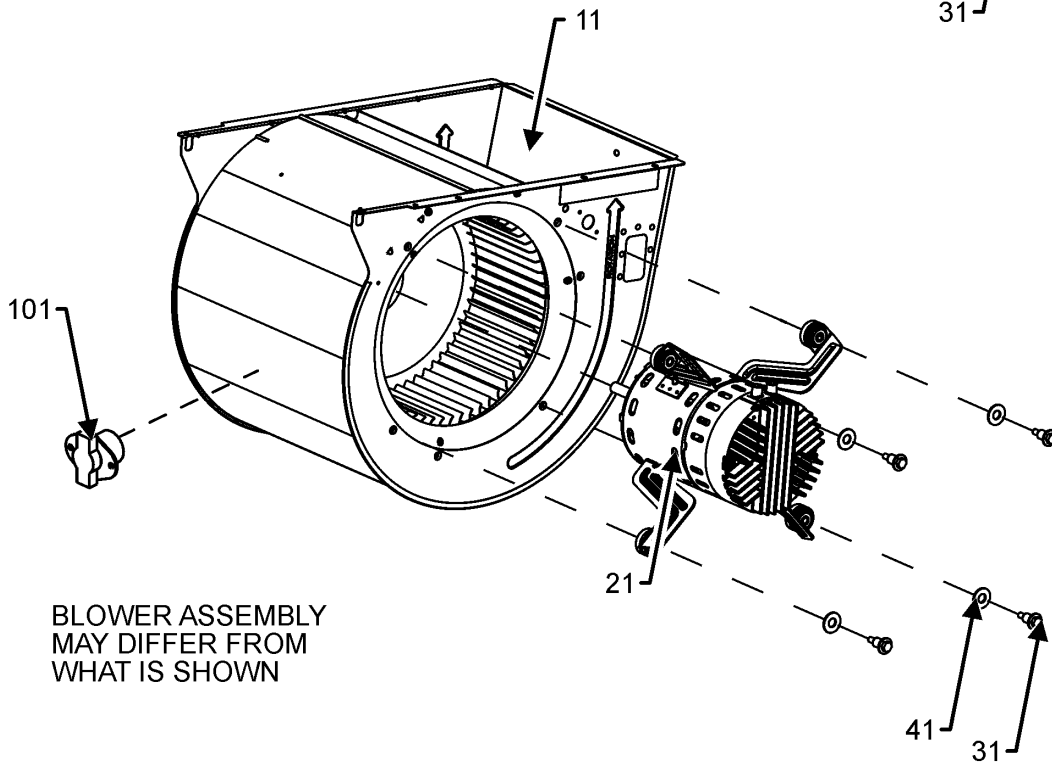
M1 - DFG0601D100001FAA
M2 - DFG0601D800001FAA
M3 - DFG0603D100001FAA
M4 - DFG0603D800001FAA
M5 - DFG0604D100001FAA
M6 - DFG0604D800001FAA

BLOWER ASSEMBLY

BLOWER ASSEMBLY 1



BLOWER ASSEMBLY 2



BLOWER ASSEMBLY
MAY DIFFER FROM
WHAT IS SHOWN

BLOWER ASSEMBLY

Ref. Part No:	No:	Description:	Ref. Part No:	No:	Description:
---------------	-----	--------------	---------------	-----	--------------

Image 1:

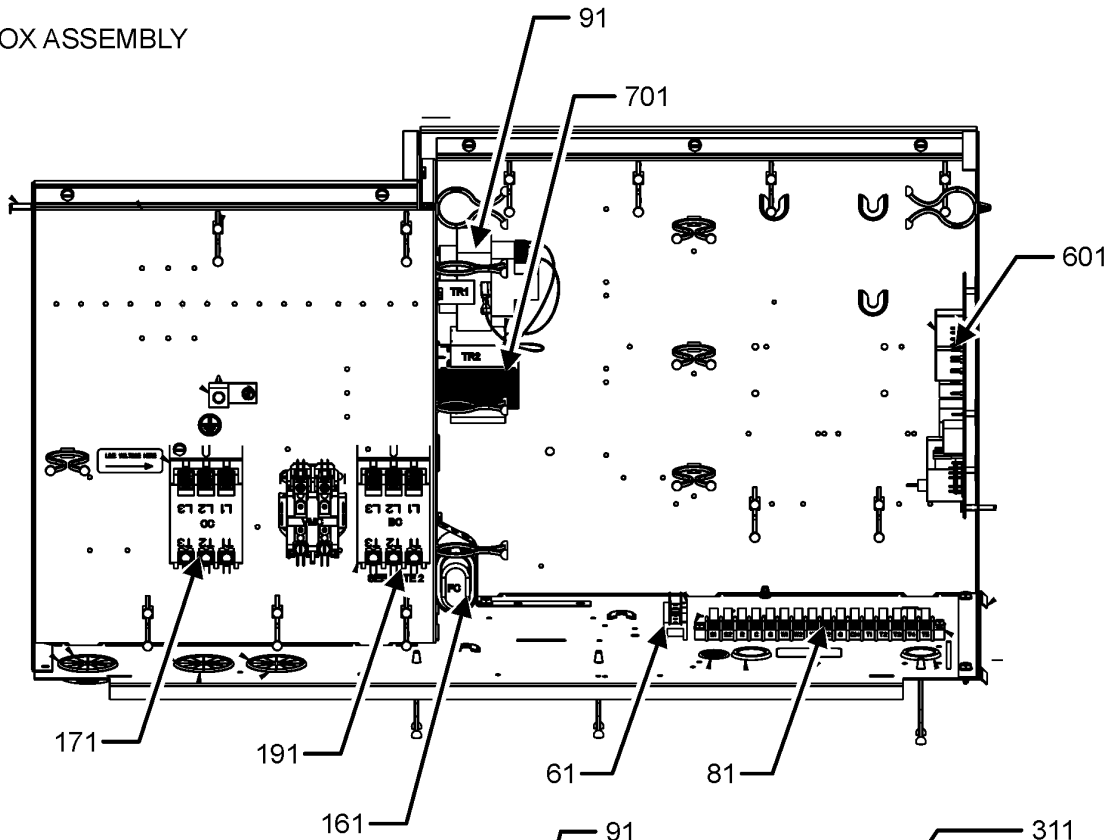
11	0271L00137	ASSY., BLOWER HOUSING (M5, M6)
11	0271L00133	ASSY., HOUSING, BLWR (M1, M2, M3, M4)
21	0131L00352	PROGRAM, MOTOR (M2)
21	0131L00353	PROGRAM, MOTOR (M1)
21	0131L00354	PROGRAM, MOTOR (M4)
21	0131L00355	PROGRAM, MOTOR (M3)
21	0131L00356	PROGRAM, MOTOR (M6)
21	0131L00357	PROGRAM, MOTOR (M5)
31	M0250565	SCREW-TC 1.25" (QTY 4)
41	B1392918	WASHER, FLAT 1/4 ID X 1 OD (QTY 4)
51	0163A00008	MOTOR MOUNTING ARM (M1, M2, M3, M4)
61	10441601	BAND-MTR MOUNT (M1, M2, M3, M4)
81	M0267144	SCREW-MACH (M1, M2, M3, M4)
91	M0282015	NUT-KEPS (M1, M2, M3, M4)
101	20162904	LIMIT, PRIMARY
NS	0130L00253	ID PLUG

Expanded Model Nomenclature

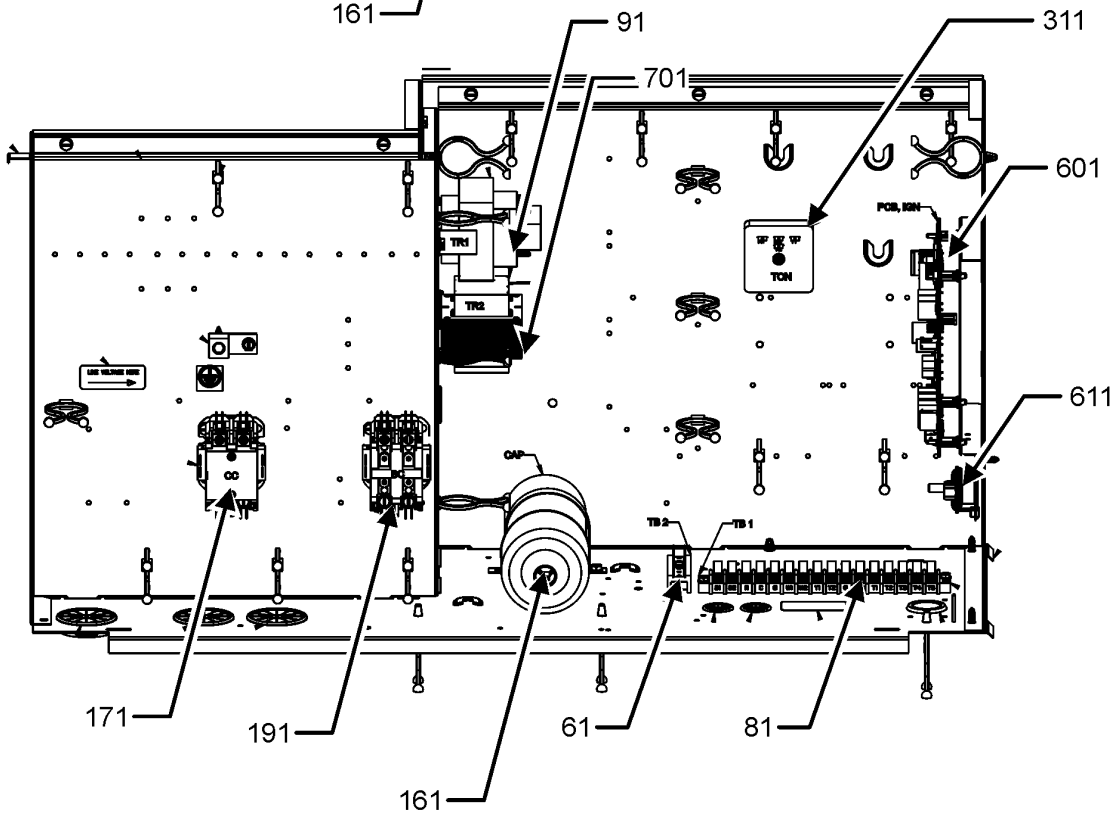
M1 - DFG0601D100001FAA
M2 - DFG0601D800001FAA
M3 - DFG0603D100001FAA
M4 - DFG0603D800001FAA
M5 - DFG0604D100001FAA
M6 - DFG0604D800001FAA

CONTROL BOX ASSEMBLY

CONTROL BOX ASSEMBLY



ULN ASSEMBLY



CONTROL BOX ASSEMBLY MAY DIFFER FROM WHAT IS SHOWN

CONTROL BOX ASSEMBLY

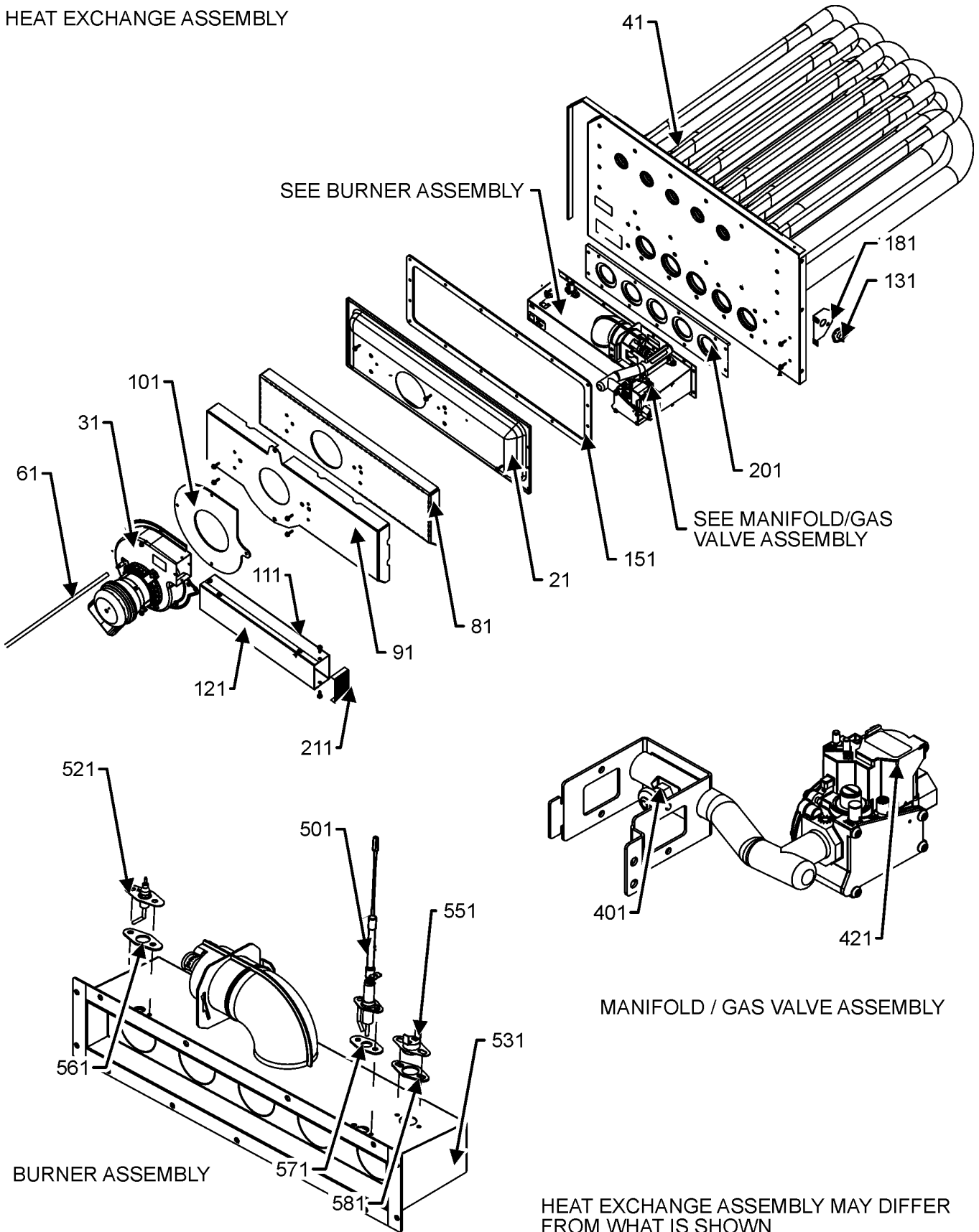
Ref. Part No:	Ref. Part No:	Description:	Description:
Image 1:			
61	802007090	TERM BOARD	
81	0130M00038	TERMINAL BOARD	
91	0130M00696	TRANSFORMER 208-240V TO 24V,75 (M1, M2, M3, M4)	
91	0130M00595	TRANSFORMER, 75VA, 480V TO 24V (M5, M6)	
171	CONT2P040024V	CONT, 2 POLE, 40 AMP, 24 VAC (M1, M2)	
171	CONT3P025024V	CONT, 3 POLE, 25 AMP, 24 VAC (M5, M6)	
171	CONT3P030024V	CONT, 3 POLE, 30 AMP, 24 VAC (M3, M4)	
191	CONT2P025024V	CONT, 2 POLE, 25 AMP, 24 VAC (M1, M2, M3, M4)	
191	CONT3P025024V	CONT, 3 POLE, 25 AMP, 24 VAC (M5, M6)	
231	CAP100000440LA	CAP 10 MFD/440V/OVAL (M5, M6)	
231	CAP100000370LA	CAP, 10 MFD/370V/OVAL (M3, M4)	
231	CAP100700440CT	CAP, 10/70 MFD/ 440V/ DUAL RD (M1, M2)	
311	B1370772	TIME DELAY ICM 180 SEC DELA	
601	PCBBL216	INTEGRATED FURNACE CONTROLLER	
611	0130M00695	TRANSDUCER PRESSURE	
701	0130M00596	TRANSFMR, 150VA, 480V TO 23 (M5, M6)	
NS	0164M00126	BOOT, CAPACITOR (M3, M4, M5, M6)	
NS	0164M00079	BOOT-CAPACITOR, ROUND (M1, M2)	
NS	0130M00507	MOTOR POWER HARNESS (M1, M2, M3, M4)	
NS	20520901	STRAP-CAPACITOR	
NS	0130M00506	X-13 LOW VOLTAGE WIRE HARNESS (M1, M2, M3, M4)	

Expanded Model Nomenclature

M1 - DFG0601D100001FAA
M2 - DFG0601D800001FAA
M3 - DFG0603D100001FAA
M4 - DFG0603D800001FAA
M5 - DFG0604D100001FAA
M6 - DFG0604D800001FAA

HEAT EXCHANGE ASSEMBLY

HEAT EXCHANGE ASSEMBLY



HEAT EXCHANGE ASSEMBLY

Ref. Part No:	Ref. Part No:	Description:	Description:
Image 1:			
21	0121L04338	BOX COLLECTOR	
31	0131M00972	MOTOR VENT	
41	0270L01766	ASSY, PANEL, PARTITION/TUBE, 4 (M2, M4, M6)	
41	0270L01767	ASSY, PANEL, PARTITION/TUBE, 5 (M1, M3, M5)	
61	0164M00114	HOSE PRESSURE SW 50"	
81	0154L00226	GASKET	
91	0121L04339	PLATE ID BLOWER	
101	0154L00214	GASKET ID BLOWER	
111	0121L04340	FLUE CHANNEL	
121	0121L04341	FLUE SIDE COVER	
131	0130F00035	LIMIT, PRIMARY	
151	0154L00206	GASKET BOX COLLECTOR	
181	0121L02859	BRACKET PRIMARY LIIMIT	
201	0154F00107	GASKET, BRNR FRONT (M2, M4, M6)	
201	0154F00108	GASKET, BRNR FRONT (M1, M3, M5)	
211	0163L00072	SCREEN FLUE	
401	0263L00005	ASSY., MANIFOLD (M2, M4, M6)	
401	0263L00009	ASSY., MANIFOLD (M1, M3, M5)	
421	0151M00098	36G VALVE ULN	
501	0130M00817	IGNITOR, SPARK ELECTRODE	
521	0130F00762	FLAME SENSOR	
531	0163L00267	BURNER ASSY, ULN LC 80 (M1, M3, M5)	
531	0163G00016	BURNER, ULN (M2, M4, M6)	
551	0130G00017	SWITCH, HIGH LIMIT, ULN (M2, M4, M6)	
551	0130G00021	SWITCH, HIGH LIMIT, ULN (M1, M3, M5)	
561	0154F00068	GASKET ULN FLAME SENSOR	
571	0154M00079	GASKET, ULN IGNITOR	
581	0154F00069	GASKET LIMIT ULN	
NS	0130M00684	IGNITION MODULE	

Expanded Model Nomenclature

M1 - DFG0601D100001FAA
M2 - DFG0601D800001FAA
M3 - DFG0603D100001FAA
M4 - DFG0603D800001FAA
M5 - DFG0604D100001FAA
M6 - DFG0604D800001FAA

ACCESSORY PARTS LIST

NOTE: NOT ALL OPTIONS AVAILABLE FOR ALL PRODUCTS

FOR ACCESSORY PARTS SEE THE FOLLOWING PART MANUALS

RP-FIOPS*

RP-EHX[B,D]*

ACCESSORY PARTS LIST

Ref. Part No:	No:	Description:	Ref. Part No:	No:	Description:
---------------	-----	--------------	---------------	-----	--------------

Image 1:

NS	RP-EHSBS*	ACCESSORY PART MANUAL
NS	RP-EHSDS*	ACCESSORY PART MANUAL
NS	RP-EHXBS*	ACCESSORY PART MANUAL
NS	RP-EHXDS*	ACCESSORY PART MANUAL
NS	RP-FIOPS*	ACCESSORY PART MANUAL

Expanded Model Nomenclature

M1 - DFG0601D100001FAA
M2 - DFG0601D800001FAA
M3 - DFG0603D100001FAA
M4 - DFG0603D800001FAA
M5 - DFG0604D100001FAA
M6 - DFG0604D800001FAA