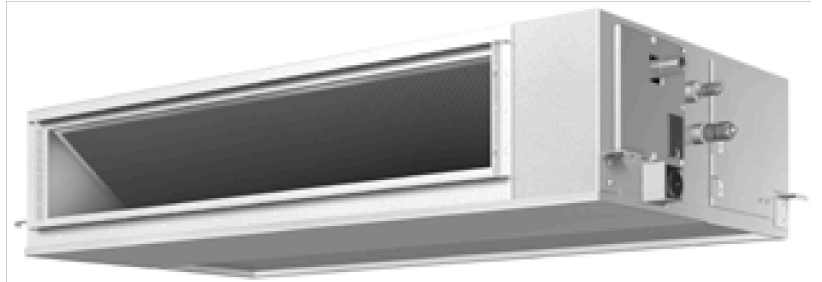


---

**FBQ\*\*PVJU Ceiling Mounted Duct Type Indoor Unit**

FBQ18PVJU  
FBQ24PVJU  
FBQ30PVJU  
FBQ36PVJU  
FBQ42PVJU  
FBQ48PVJU



This manual is to be used by qualified technicians only.

This manual replaces RP-D6015.

© 2015 , 2019 **DAIKIN MANUFACTURING COMPANY, L.P** ◇ 5151 San Felipe St, Suite 500 ◇ Houston, TX 77056

# Important Information

---

## Index

Functional Parts List .....	3
Illustration and Parts .....	4 - 9

*Views shown are for parts illustrations only, not servicing procedures.*

### Text Codes:

AR - As Required

NA - Not Available

NS - Not Shown

00000000 - See Note

QTY - Quantity Example (QTY 3) (If Quantity not shown, Quantity = 1)

M - Model Example (M1) (If M Code not shown, then part is used on all Models)

### Expanded Model Nomenclature:

Example
M1 - Model#1
M2 - Model#2
M3 - Model#3

Daikin Manufacturing Company, L.P. is not responsible for personal injury or property damage resulting from improper service. Review all service information before beginning repairs.

Warranty service must be performed by an authorized technician, using authorized factory parts. If service is required after the warranty expires, Daikin Manufacturing Company, L.P. also recommends contacting an authorized technician and using authorized factory parts.

Daikin Manufacturing Company, L.P. reserves the right to discontinue, or change at any time, specifications or designs without notice or without incurring obligations.

For assistance within the U.S.A. contact:

Homeowner Support  
Daikin North America, LLC  
19001 Kermier Road  
Waller, Texas 77484  
855-770-5678-Telephone  
713-863-2382-Facsimile

For assistance outside the U.S.A. contact:

International Division  
Daikin North America, LLC  
19001 Kermier Road  
Waller, Texas 77484  
713-861-2500-Telephone  
713-863-2382-Facsimile

# Functional Parts

## Part

## No: Description:

---

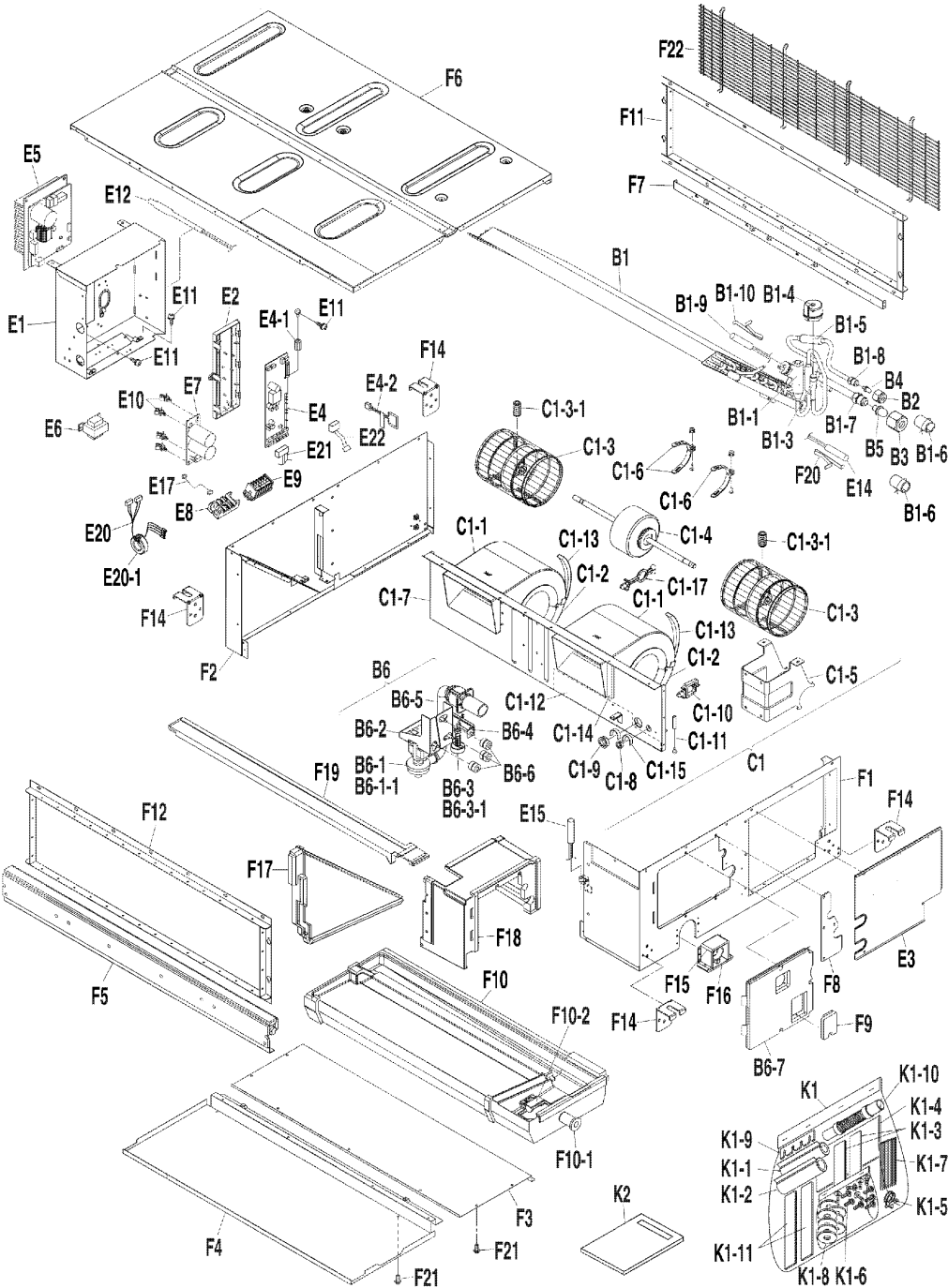
065338J	CAPACITY SETTING ADAPTOR (M5)
065337J	CAPACITY SETTING ADAPTOR (M4)
4006123	DC FAN MOTOR (M4, M5)
2247487	DC FAN MOTOR (M6)
2008101	DC FAN MOTOR (M1, M2, M3)
139502J	FLOAT SWITCH (M1, M2, M3, M4, M5)
1863862	PRINTED CIRCUIT ASSY. (CAPACITOR) (M1, M2, M3, M6)
4006121	PRINTED CIRCUIT ASSY. (CONTROL) (M1, M2, M3, M6)
1863785	PRINTED CIRCUIT ASSY. (INVERTER) (M1, M2, M3)
4006121	PRINTED CIRCUIT BOARD ASSY. (M6)
1863862	PRINTED CIRCUIT BOARD ASSY. (CAPACITOR) (M6)
2007588	PRINTED CIRCUIT BOARD ASSY. (FAN) (M6)
2007588	PRINTED CIRCUIT BOARD ASSY. (FAN) (M6)
1985320	THERMISTOR (DISCHARGE AIR) (M6)
1985320	THERMISTOR (DISCHARGE AIR) (M6)
1985313	THERMISTOR (HEAT EXCHANGER) (M6)
1985313	THERMISTOR (HEAT EXCHANGER) (M6)
1863754	THERMISTOR (SUCTION AIR) (M6)
1863754	THERMISTOR ASSY. (AIR)
1863778	THERMISTOR ASSY. (DISCHARGE AIR) (M1, M2, M3, M4, M5)
1863761	THERMISTOR ASSY. (GAS) (M1, M2, M3, M4, M5)
1863747	THERMISTOR ASSY. (LIQUID) (M1, M2, M3, M4, M5)

### Expanded Model Nomenclature

M1 - FBQ18PVJU
M2 - FBQ24PVJU
M3 - FBQ30PVJU
M4 - FBQ36PVJU
M5 - FBQ42PVJU
M6 - FBQ48PVJU

FBQ18PVJU / FBQ24PVJU / FBQ30PVJU

— TOP —



Picture Key

Ref #	Picture #
1	B1
2	B1-1
3	B1-10
4	B1-3
5	B1-4
6	B1-5
7	B1-6
8	B1-7
9	B1-8
10	B1-9
11	B2
12	B3
13	B4
14	B5
15	B6
16	B6-1
17	B6-1-1
18	B6-2
19	B6-3
20	B6-3-1
21	B6-4
22	B6-5
23	B6-6
24	B6-7
25	C1
26	C1-1
27	C1-10
28	C1-11
29	C1-12
30	C1-13
31	C1-14
32	C1-15
33	C1-17
34	C1-2
35	C1-3
36	C1-3-1
37	C1-4
38	C1-5
39	C1-6
40	C1-7
41	C1-8
42	C1-9
43	E1
44	E10
45	E11
46	E12
47	E14
48	E15
49	E17
50	E2
51	E20
52	E20-1
53	E21
54	E22
55	E3
56	E4
57	E4-1
58	E4-2
59	E5
60	E6
61	E7
62	E8
63	E9
64	F1
65	F10
66	F10-1
67	F10-2
68	F11
69	F12
70	F14
71	F15
72	F16
73	F17
74	F18
75	F19
76	F2
77	F20
78	F21
79	F22
80	F3
81	F4
82	F5
83	F6
84	F7
85	F8
86	F9
87	K1
88	K1-1
89	K1-10
90	K1-11
91	K1-2
92	K1-3
93	K1-4
94	K1-5
95	K1-6
96	K1-7
97	K1-8
98	K1-9
99	K2

Ref. Part No: No:	Description:	Ref. Part No: No:	Description:
<b>Image 1:</b>		<b>Image 1:</b>	
1	1863817	52	130283J
1	1882173	53	1863677
2	1882180		
3	0074328	54	1863684
4	141594J	55	1877568
5	1863622	56	4006121
6	029913J		
7	1830235	57	116718J
8	257580J	58	064060J
8	257589J	59	1863785
9	257576J		
10	1863747	60	1867174
11	119848J	61	1863862
11	1723546		
12	119849J		
12	119850J	62	130774J
13	NA	63	2002033
14	NA	64	1877474
15	NA	65	1863646
16	NA	66	0430687
17	141957J	67	1985421
18	1876154	68	1876217
19	NA	69	1876224
20	139502J	70	1877520
21	1877443	71	1877599
22	1877450	72	1877607
23	1877436	73	1881529
24	1881459	74	188153J
25	1876060	75	188220J
26	1876084	76	1877481
27	0278430	77	0074328
28	1881442	78	033078J
29	4000013	79	1882212
30	4000014	80	1876178
31	4000015	81	1876185
32	4000016	82	1876192
33	1096143	83	1876161
34	1876091	84	1876200
35	1863723	85	1877544
36	011582J	86	1877551
37	2008101	87	NA
38	1876109	88	0381879
39	4007850	89	007223J
40	1876077	90	187761J
41	170618J	91	031111J
42	144573J	92	4000023
43	1876116	93	032284J
44	380402J	94	558103J
45	113783J	95	827097J
46	1863754	96	980723J
47	1863761	97	094152J
48	1863778	98	1755334
		99	NA
49	1881480		
50	1881466		
51	4009404		

**Ref. Part**  
**No: No: Description:**

**Ref. Part**  
**No: No: Description:**

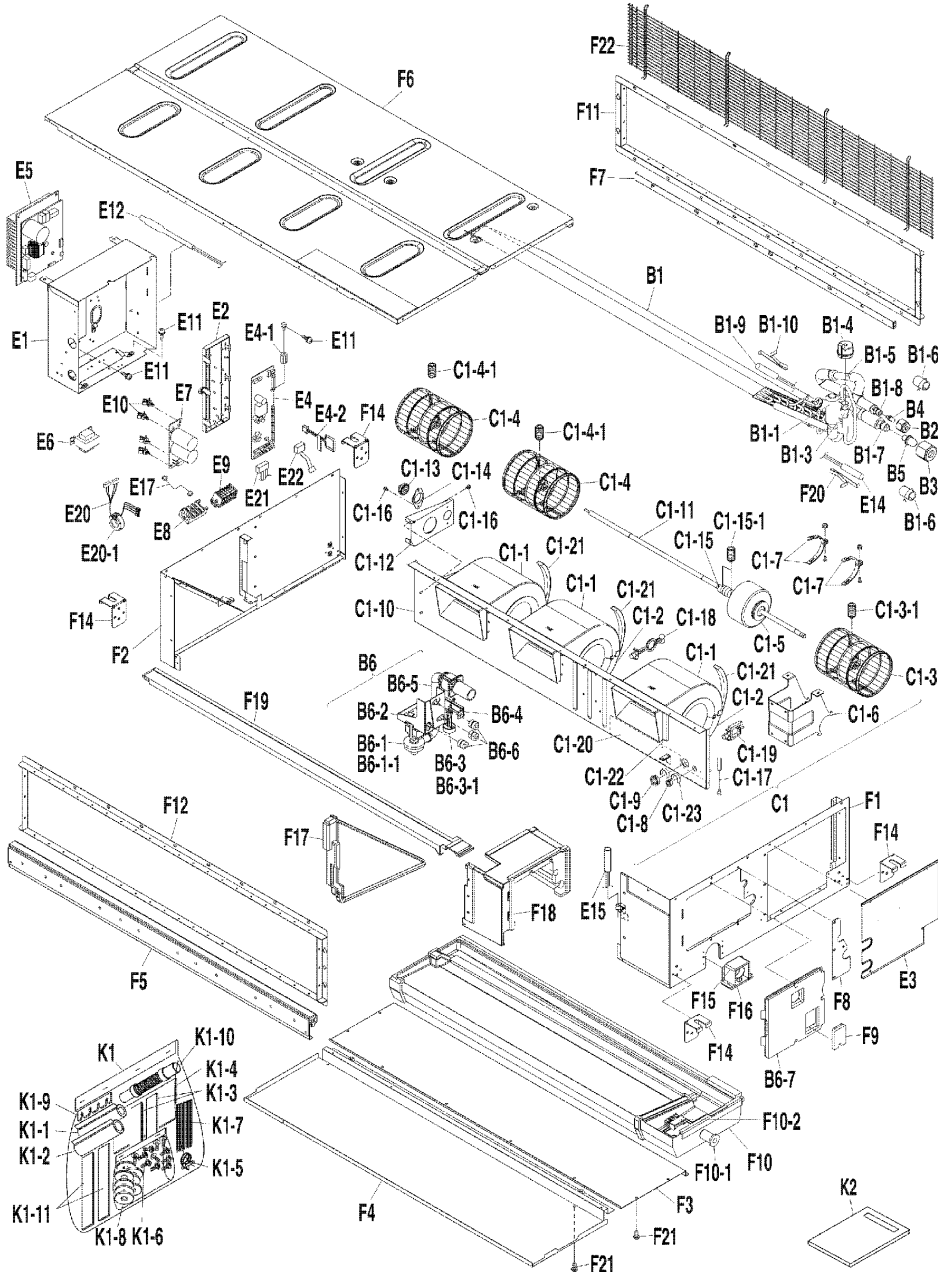
---

**Expanded Model Nomenclature**

M1 - FBQ18PVJU
M2 - FBQ24PVJU
M3 - FBQ30PVJU
M4 - FBQ36PVJU
M5 - FBQ42PVJU
M6 - FBQ48PVJU

FBQ36PVJU / FBQ42PVJU

— TOP —



Picture Key

Ref #	Picture #
1	B1
2	B1-1
3	B1-10
4	B1-3
5	B1-4
6	B1-5
7	B1-6
8	B1-7
9	B1-8
10	B1-9
11	B2
12	B3
13	B4
14	B5
15	B6
16	B6-1
17	B6-1-1
18	B6-2
19	B6-3
20	B6-3-1
21	B6-4
22	B6-5
23	B6-6
24	B6-7
25	C1
26	C1-1
27	C1-10
28	C1-11
29	C1-12
30	C1-13
31	C1-14
32	C1-15
33	C1-15-1
34	C1-16
35	C1-17
36	C1-18
37	C1-19
38	C1-2
39	C1-20
40	C1-21
41	C1-22
42	C1-23
43	C1-3
44	C1-3-1
45	C1-4
46	C1-4-1
47	C1-5
48	C1-6
49	C1-7
50	C1-8
51	C1-9
52	E1
53	E10
54	E11
55	E12
56	E14
57	E15
58	E17
59	E2
60	E20
61	E20-1
62	E21
63	E22
64	E3
65	E4
66	E4-1
67	E4-2
68	E5
69	E6
70	E7
71	E7
72	E8
73	E9
74	F1
75	F10
76	F10-1
77	F10-2
78	F11
79	F12
80	F14
81	F15
82	F16
83	F17
84	F18
85	F19
86	F2
87	F20
88	F21
89	F22
90	F3
91	F4
92	F5
93	F6
94	F7
95	F8
96	F9
97	K1
98	K1-1
99	K1-10
100	K1-11
101	K1-2
102	K1-3
103	K1-4
104	K1-5
105	K1-6
106	K1-7
107	K1-8
108	K1-9
109	K2

Ref. Part No:	Part No:	Description:	Ref. Part No:	Part No:	Description:
<b>Image 1:</b>			<b>Image 1:</b>		
1	1863831	EVAPORATOR ASSY. (M4, M5)	58	1881480	EARTH WIRE (M4, M5)
2	NA	DISTRIBUTOR (M4, M5)	59	1881466	RESIN CASE (M4, M5)
3	0074328	RETAINER/ THERMISTOR (M4, M5)	60	4009404	WIRE HARNESS ASSY. (M4, M5)
4	141592J	BODY/ ELECTRONIC EXP. VALVE (M4, M5)	61	130283J	FERRITE CORE (M4, M5)
5	1863622	COIL/ ELECTRONIC EXP. VALVE (M4, M5)	62	1863677	WIRE HARNESS (REMOTE CONTROL) (M4, M5)
6	029913J	REFRIGERANT FILTER (M4, M5)	63	1863684	WIRE HARNESS (TRANSMISSION) (M4, M5)
7	1830235	SEALING MATERIAL (M4, M5)	64	1877568	COVER/ SWITCH BOX (M4, M5)
8	257589J	UNION JOINT (M4, M5)	65	4006121	PRINTED CIRCUIT ASSY. (CONTROL) (M4, M5)
9	257577J	UNION JOINT (M4, M5)	66	116718J	FERRITE CORE (M4, M5)
10	1863747	THERMISTOR ASSY. (LIQUID) (M4, M5)	67	065337J	CAPACITY SETTING ADAPTOR (M4)
11	119848J	FLARE NUT (M4, M5)	67	065338J	CAPACITY SETTING ADAPTOR (M5)
12	119850J	FLARE NUT (M4, M5)	69	2007588	INVERTER ASSY. (M4, M5)
13	NA	BLIND CAP/ FLARE NUT (M4, M5)	70	1867174	REACTOR (M4, M5)
14	NA	BLIND CAP/ FLARE NUT (M4, M5)	71	1863862	PRINTED CIRCUIT ASSY. (CAPACITOR) (M4, M5)
15	NA	SERVICE LID (2) ASSY. (M4, M5)	72	130774J	TERMINAL BLOCK (M4, M5)
16	NA	DRAIN PUMP ASSY. (M4, M5)	73	2002033	TERMINAL BLOCK (CONTROL) (M4, M5)
17	141957J	DRAIN PUMP (M4, M5)	74	1877474	SIDE PLATE (RIGHT) (M4, M5)
18	1876154	DRAIN PUMP MOUNTING STAND (M4, M5)	75	1863653	DRAIN PAN ASSY. (M4, M5)
19	NA	FLOAT SWITCH ASSY. (M4, M5)	76	0430687	CAP/ DRAIN SOCKET (M4, M5)
20	139502J	FLOAT SWITCH (M4, M5)	77	1985421	ANTIBACTERIAL AGENTS ASSY. (M4, M5)
21	1877443	FLOAT SWITCH MOUNTING PLATE (M4, M5)	78	1876356	AIR INLET FLANGE (M4, M5)
22	1877450	DRAIN HOSE ASSY. (M4, M5)	79	1876363	AIR OUTLET FLANGE (M4, M5)
23	1877436	RUBBER BUSH/ DRAIN PUMP (M4, M5)	80	1877520	HOOK (M4, M5)
24	1881459	SERVICE LID (2) (M4, M5)	81	1877599	DRAIN SOCKET COVER (1) (M4, M5)
25	1876248	SIROCCO FAN ASSY. (M4, M5)	82	1877607	DRAIN SOCKET COVER (2) (M4, M5)
26	1876084	FAN HOUSING (UPPER) (M4, M5)	83	1881529	THERMAL INSULATION (PARTITION) (M4, M5)
27	1876255	FAN TOP PLATE ASSY. (M4, M5)	84	188153J	THERMAL INSULATION (RIGHT) (M4, M5)
28	1876262	FAN SHAFT ASSY. (M4, M5)	85	1881822	THERMAL INSULATION (TOP) (M4, M5)
29	1876279	FAN BEARING PLATE (M4, M5)	86	1877481	SIDE PLATE (LEFT) (M4, M5)
30	437008J	FAN BEARING (M4, M5)	87	0074328	RETAINER/ THERMISTOR (M4, M5)
31	443026J	MOUNTING PLATE/ FAN BEARING (M4, M5)	88	033078J	TAPPING SCREW (M4, M5)
32	433021J	COUPLING/ FAN SHAFT (M4, M5)	89	1881839	AIR INLET PROTECTION NET (M4, M5)
33	6001169	SET SCREW (M4, M5)	90	1876318	REAR PLATE (M4, M5)
34	011425J	HEX TAPPING SCREW (M4, M5)	91	1876325	BOTTOM PLATE (M4, M5)
35	1881442	EARTH WIRE (M4, M5)	92	1876332	CENTRE STAY (M4, M5)
36	1096143	CLAMP/ POWER CORD (M4, M5)	93	1876743	TOP PLATE (M4, M5)
37	0278430	WIRE CLIP (M4, M5)	94	1876349	BOTTOM FRAME (M4, M5)
38	1876091	FAN HOUSING (LOWER) (M4, M5)	95	1877544	SERVICE LID (1) ASSY. (M4, M5)
39	4000013	SEALING MATERIAL (M4, M5)	96	1877551	COVER/ INSPECTION HATCH (M4, M5)
40	4000014	SEALING MATERIAL (M4, M5)	97	NA	ACCESSORIES ASSY. (1) (M4, M5)
41	4000015	SEALING MATERIAL (M4, M5)	98	0381879	INSULATION TUBE/ LIQUID LINE (M4, M5)
42	4000016	SEALING MATERIAL (M4, M5)	99	007223J	DRAIN HOSE (M4, M5)
43	1863723	SIROCCO ROTOR ASSY. (M4, M5)	100	187761J	SEALING MATERIAL (M4, M5)
44	011582J	HEX SOCKET SCREW (M4, M5)	101	031111J	INSULATION TUBE/ GAS LINE (M4, M5)
45	1863730	SIROCCO ROTOR ASSY. (M4, M5)	102	4000023	SEALING MATERIAL (M4, M5)
46	011582J	HEX SOCKET SCREW (M4, M5)	103	032284J	SEALER/ DRAIN HOSE (M4, M5)
47	4006123	DC FAN MOTOR (M4, M5)	104	558103J	HOSE BAND (M4, M5)
48	1876109	MOTOR BASE (M4, M5)	105	827097J	HEX TAPPING SCREW (M4, M5)
49	4007850	MOTOR FIXING PLATE (M4, M5)	106	980723J	WIRE CLAMP (M4, M5)
50	170618J	BUSHING (HIGH VOLTAGE) (M4, M5)	107	094152J	PLAIN WASHER (FOR WOOD) (M4, M5)
51	144573J	GUARD BUSH (M4, M5)	108	1755334	WASHER FIXING MATERIAL (M4, M5)
52	1876116	SWITCH BOX ASSY. (M4, M5)	109	NA	OPERATION MANUAL (M4, M5)
53	380402J	LOCKING CARD SPACER (M4, M5)			
54	113783J	GROUNDING TIP (W/WASHER) (M4, M5)			
55	1863754	THERMISTOR ASSY. (AIR) (M4, M5)			
56	1863761	THERMISTOR ASSY. (GAS) (M4, M5)			
57	1863778	THERMISTOR ASSY. (DISCHARGE AIR) (M4, M5)			



**Ref. Part**  
**No: No:          Description:**

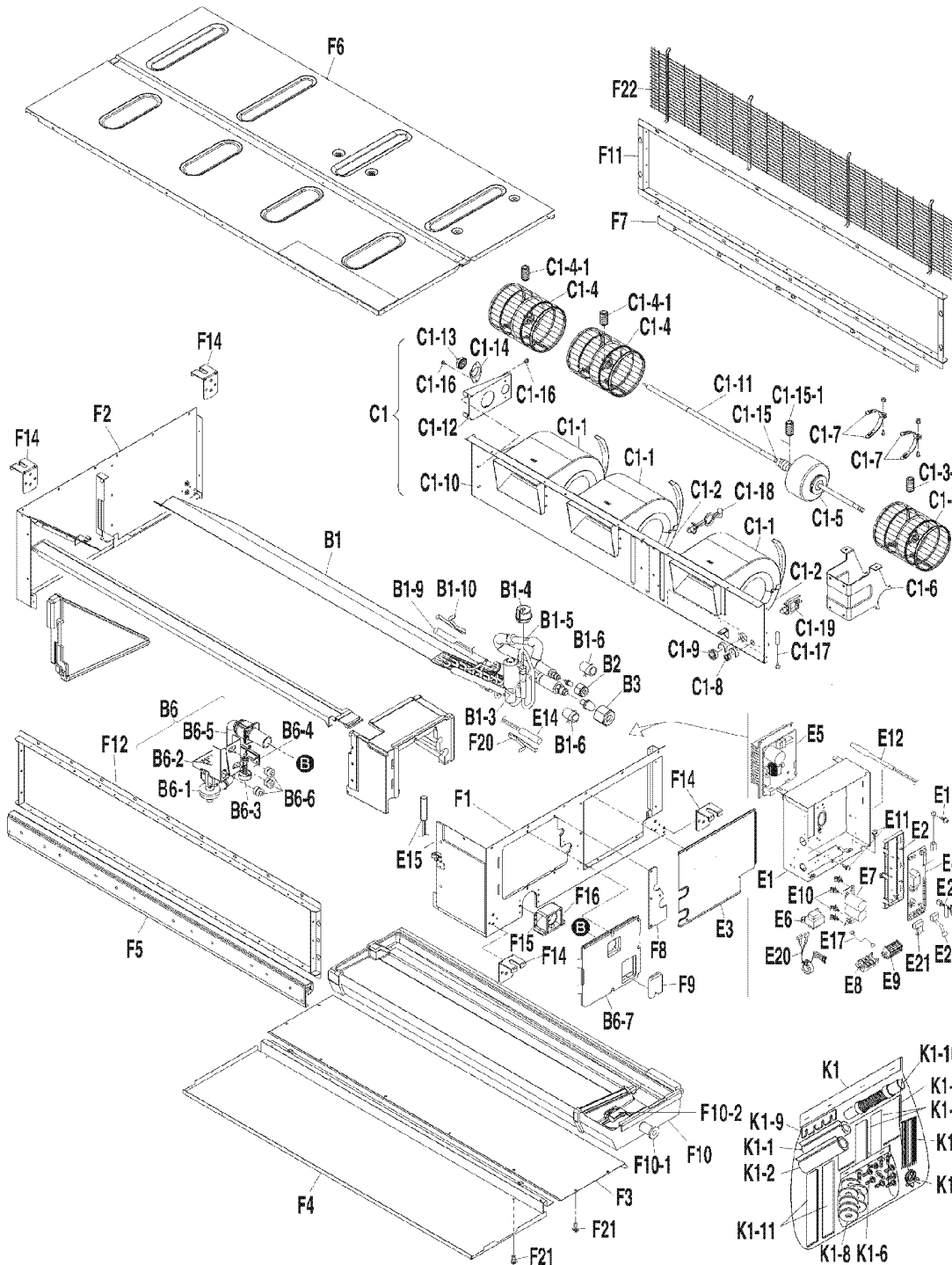
**Ref. Part**  
**No: No:          Description:**

---

**Expanded Model Nomenclature**

M1 - FBQ18PVJU
M2 - FBQ24PVJU
M3 - FBQ30PVJU
M4 - FBQ36PVJU
M5 - FBQ42PVJU
M6 - FBQ48PVJU

FBQ48PVJU



Picture Key	
Ref #	Picture #
1	B1
2	B1-3
3	B1-4
4	B1-5
5	B1-6
6	B1-9
7	B1-10
8	B2
9	B3
10	B6
11	B6-1
12	B6-2
13	B6-3
14	B6-4
15	B6-5
16	B6-6
17	B6-7
18	C1
19	C1-1
20	C1-2
21	C1-3
22	C1-3-1
23	C1-4
24	C1-4-1
25	C1-5
26	C1-6
27	C1-7
28	C1-8
29	C1-9
30	C1-10
31	C1-11
32	C1-12
33	C1-13
34	C1-14
35	C1-15
36	C1-15-1
37	C1-16
38	C1-17
39	C1-18
40	C1-19
41	E1
42	E2
43	E3
44	E4
45	E5
46	E6
47	E7
48	E8
49	E9
50	E10
51	E11
52	E12
53	E14
54	E15
55	E17
56	E20
57	E21
58	E22
59	E23
60	F1
61	F2
62	F3
63	F4
64	F5
65	F6
66	F7
67	F8
68	F9
69	F10
70	F10-1
71	F10-2
72	F11
73	F12
74	F14
75	F15
76	F16
77	F20
78	F21
79	F22
80	K1
81	K1-1
82	K1-2
83	K1-3
84	K1-4
85	K1-5
86	K1-6
87	K1-7
88	K1-8
89	K1-9
90	K1-10
91	K1-11

Ref. Part No:	Part No:	Description:	Ref. Part No:	Part No:	Description:						
<b>Image 1:</b>			<b>Image 1:</b>								
1	2294111	PLATE FINNED COIL HEAT EXCH. ASSY. (M6)	56	4009404	WIRE HARNESS ASSY. (M6)						
2	2323367	BODY/ ELECTRONIC EXP. VALVE (M6)	57	1863677	WIRE HARNESS (REMOTE CONTROL) (M6)						
3	1863622	COIL/ ELECTRONIC EXP. VALVE (M6)	58	1863684	WIRE HARNESS (TRANSMISSION) (M6)						
4	029913J	REFRIGERANT FILTER (M6)	59	065338J	CAPACITY SETTING ADAPTOR (M6)						
5	1830235	SEALING MATERIAL (M6)	60	1877474	SIDE PLATE (RIGHT) (M6)						
6	1863747	THERMISTOR (HEAT EXCHANGER) (M6)	61	1877481	SIDE PLATE ASSY. (LEFT) (M6)						
7	007432J	RETAINER/ THERMISTOR CLAMP (M6)	62	1876318	REAR PLATE (M6)						
8	119848J	FLARE NUT (M6)	63	1876325	BOTTOM PLATE ASSY. (M6)						
9	142496J	FLARE NUT (M6)	64	1876332	CENTRE STAY ASSY. (M6)						
10	NA	SERVICE LID (2) ASSY. (M6)	65	1876743	TOP PLATE (M6)						
11	6018625	DRAIN PUMP ASSY. (M6)	66	1876349	BOTTOM FRAME (M6)						
12	1876154	DRAIN PUMP MOUNTING STAND (M6)	67	1877544	SERVICE LID (1) ASSY. (M6)						
13	6018626	FLOAT SWITCH ASSY. (M6)	68	1877551	COVER/ INSPECTION HATCH (M6)						
14	1877443	FLOAT SWITCH MOUNTING PLATE (M6)	69	1999444	DRAIN PAN ASSY. (M6)						
15	1877450	DRAIN HOSE ASSY. (M6)	70	043068J	CAP/ DRAIN SOCKET (M6)						
16	1877436	RUBBER BUSH/ DRAIN PUMP (M6)	71	1985421	ANTI-BACTERIAL AGENTS ASSY. (M6)						
17	1881459	SERVICE LID (2) (M6)	72	1876356	AIR INLET FLANGE ASSY. (M6)						
18	1876248	SIROCCO FAN ASSY. (M6)	73	1876363	AIR OUTLET FLANGE ASSY. (M6)						
19	1876084	FAN HOUSING (UPPER) (M6)	74	1877520	HOOK (M6)						
20	1876091	FAN HOUSING (LOWER) (M6)	75	1877599	DRAIN SOCKET COVER (1) (M6)						
21	1863723	SIROCCO ROTOR ASSY. (M6)	76	1877607	DRAIN SOCKET COVER (2) (M6)						
22	011582J	HEX SOCKET SCREW (M6)	77	007432J	RETAINER/ THERMISTOR CLAMP (M6)						
23	186373J	SIROCCO ROTOR ASSY. (M6)	78	2203627	TAPPING SCREW (M6)						
24	011582J	HEX SOCKET SCREW (M6)	79	1881839	AIR INLET PROTECTION NET (M6)						
25	2247487	DC FAN MOTOR (M6)	80	NA	ACCESSORIES ASSY. (1) (M6)						
26	2405238	MOTOR BASE (M6)	81	038187J	INSULATION TUBE (M6)						
27	4007850	MOTOR FIXING PLATE (M6)	82	031111J	INSULATION TUBE (M6)						
28	170618J	BUSHING (LOW VOLTAGE) (M6)	83	4000023	SEALING MATERIAL (M6)						
29	144573J	BUSHING (LOW VOLTAGE) (M6)	84	032284J	SEALER/ DRAIN HOSE (M6)						
30	1876255	FAN TOP PLATE ASSY. (M6)	85	558103J	HOSE BAND (M6)						
31	1876262	FAN SHAFT ASSY. (M6)	86	NA	HEX TAPPING SCREW (M6)						
32	1876279	FAN BEARING PLATE (M6)	87	980723J	WIRE CLAMP (M6)						
33	437008J	FAN BEARING (M6)	88	NA	PLAIN WASHER (FOR WOOD) (M6)						
34	443026J	MOUNTING PLATE/ FAN BEARING (M6)	89	1755334	WASHER FIXING MATERIAL (M6)						
35	019928J	COUPLING/ FAN SHAFT (M6)	90	007223J	DRAIN HOSE (M6)						
36	6001169	SET SCREW (M6)	91	187761J	SEALING MATERIAL (M6)						
37	NA	HEX TAPPING SCREW (M6)	<b>Expanded Model Nomenclature</b>								
38	1881442	EARTH WIRE (M6)	<table border="1"> <tr> <td>M1 - FBQ18PVJU</td> </tr> <tr> <td>M2 - FBQ24PVJU</td> </tr> <tr> <td>M3 - FBQ30PVJU</td> </tr> <tr> <td>M4 - FBQ36PVJU</td> </tr> <tr> <td>M5 - FBQ42PVJU</td> </tr> <tr> <td>M6 - FBQ48PVJU</td> </tr> </table>			M1 - FBQ18PVJU	M2 - FBQ24PVJU	M3 - FBQ30PVJU	M4 - FBQ36PVJU	M5 - FBQ42PVJU	M6 - FBQ48PVJU
M1 - FBQ18PVJU											
M2 - FBQ24PVJU											
M3 - FBQ30PVJU											
M4 - FBQ36PVJU											
M5 - FBQ42PVJU											
M6 - FBQ48PVJU											
39	109614J	CLAMP/ POWER CORD (M6)									
40	027843J	WIRE CLIP (M6)									
41	NA	SWITCH BOX ASSY. (M6)									
42	1881466	RESIN CASE (M6)									
43	1877568	COVER/ SWITCH BOX (M6)									
44	4006121	PRINTED CIRCUIT BOARD ASSY. (M6)									
45	2007588	PRINTED CIRCUIT BOARD ASSY. (FAN) (M6)									
46	1867174	REACTOR (M6)									
47	1863862	PRINTED CIRCUIT BOARD ASSY. (CAPACITOR) (M6)									
48	130774J	TERMINAL BLOCK (M6)									
49	2002033	TERMINAL BLOCK (REMOTE CONTROLLER) (M6)									
50	380402J	LOCKING CARD SPACER (M6)									
51	NA	TAPPING SCREW (M6)									
52	1863754	THERMISTOR (SUCTION AIR) (M6)									
53	1985313	THERMISTOR (HEAT EXCHANGER) (M6)									
54	1985320	THERMISTOR (DISCHARGE AIR) (M6)									
55	NA	EARTH WIRE (M6)									