

## RZQ / RZR Outdoor Air Conditioner and Heat Pump Units

RZQ18PVJU8  
RZQ24PVJU8  
RZQ30PVJU7  
RZQ30PVJU8  
RZQ36PVJU8  
RZQ42PVJU8  
RZR18PVJU8  
RZR24PVJU8  
RZR30PVJU8  
RZR36PVJU8  
RZR42PVJU8



This manual is to be used by qualified technicians only.

This manual replaces RP-D6327.

© 2017 **DAIKIN MANUFACTURING COMPANY, L.P.** ♦ 5151 San Felipe St., Suite 500 ♦ Houston, TX 77056

# Important Information

---

## Index

Functional Parts List .....	3
Illustration and Parts .....	4 - 9

*Views shown are for parts illustrations only, not servicing procedures*

### Text Codes:

AR - As Required

NA - Not Available

NS - Not Shown

00000000 - See Note

QTY - Quantity Example (QTY 3) (If Quantity not shown, Quantity = 1)

M - Model Example (M1) (If M Code not shown, then part is used on all Models)

### Expanded Model Nomenclature:

Example M1 - Model#1 M2 - Model#2 M3 - Model#3
---

Daikin Manufacturing Company, L.P. is not responsible for personal injury or property damage resulting from improper service. Review all service information before beginning repairs.

Warranty service must be performed by an authorized technician, using authorized factory parts. If service is required after the warranty expires, Daikin Manufacturing Company, L.P. also recommends contacting an authorized technician and using authorized factory parts.

Daikin Manufacturing Company, L.P. reserves the right to discontinue, or change at any time, specifications or designs without notice or without incurring obligations.

For assistance within the U.S.A. contact:

Homeowner Support  
Daikin North America, LLC  
19001 Kermier Road  
Waller, Texas 77484  
855-770-5678-Telephone  
713-863-2382-Facsimile

For assistance outside the U.S.A. contact:

International Division  
Daikin North America, LLC  
19001 Kermier Road  
Waller, Texas 77484  
713-861-2500-Telephone  
713-863-2382-Facsimile

# Functional Parts

## Part

## No: Description:

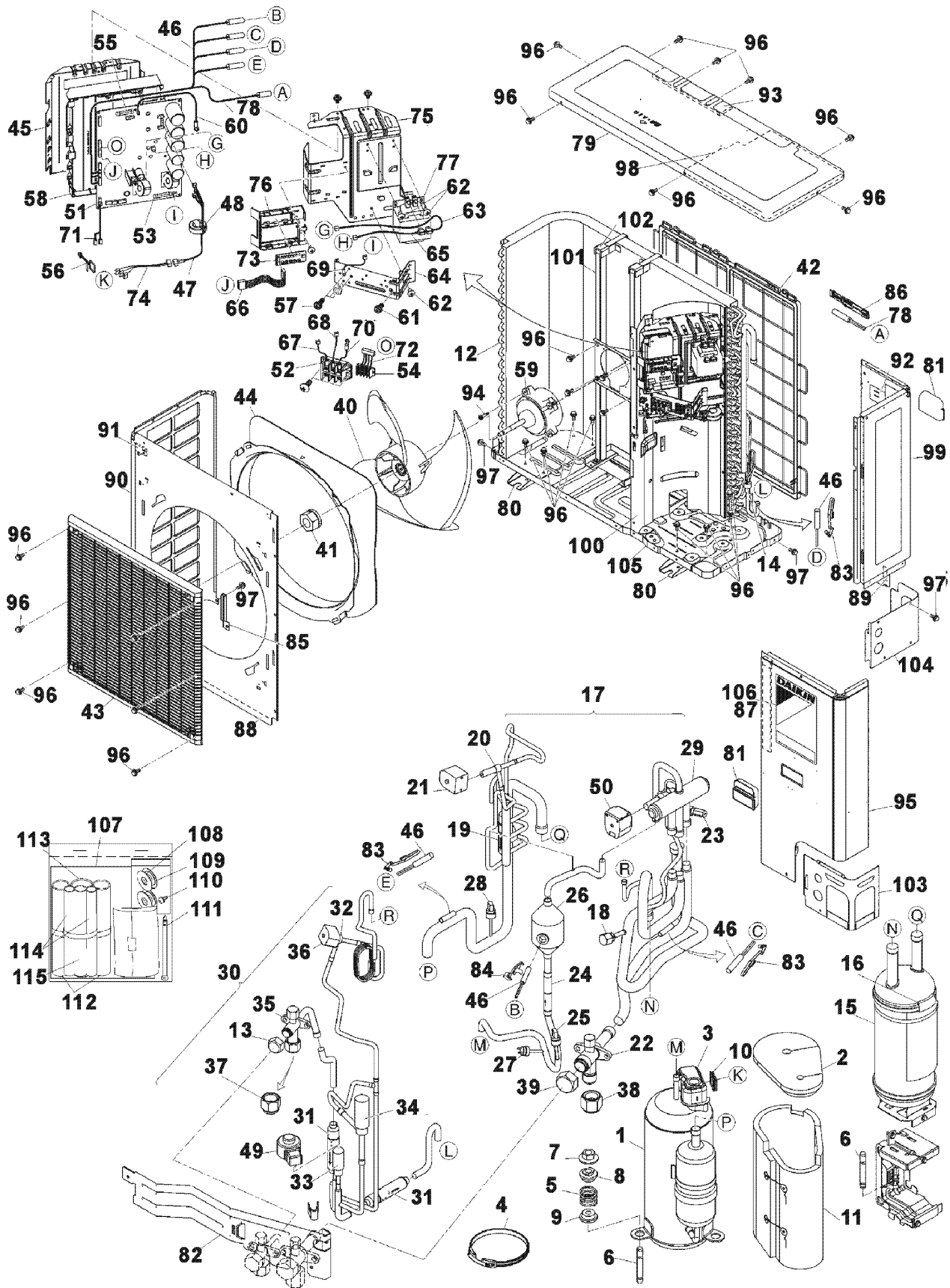
---

1946976	BODY/ FOUR WAY VALVE (M3, M5, M6, M10, M11)
1718025	CAPACITOR (M3, M5, M6, M10, M11)
142053J	CHECK VALVE (M1, M2, M4, M7, M8, M9)
2361523	CRANK CASE HEATER ASSY. (M1, M2, M4, M7, M8, M9)
4005909	CRANKCASE HEATER (M3, M5, M6, M10, M11)
2024336	DC FAN MOTOR (M3, M5, M6, M10, M11)
2024189	FAN MOTOR (DC) (M1, M2, M4, M7, M8, M9)
1885374	FIN THERMISTOR (M1, M2, M4, M7, M8, M9)
6025672	HIGH PRESSURE SENSOR (M3, M5, M6, M10, M11)
1925962	HIGH PRESSURE SENSOR (M1, M2, M4, M7, M8, M9)
151107J	HIGH PRESSURE SWITCH (M3, M5, M6, M10, M11)
151107J	HIGH PRESSURE SWITCH (M1, M2, M4, M7, M8, M9)
1925979	LOW PRESSURE SENSOR (M1, M2, M4, M7, M8, M9)
1991750	PRESSURE CONTROL VALVE (M3, M5, M6, M10, M11)
1991750	PRESSURE CONTROL VALVE (M1, M2, M4, M7, M8, M9)
4005908	SCROLL COMPRESSOR (M3, M5, M6, M10, M11)
148325J	STOP VALVE (M3, M5, M6, M10, M11)
161710J	STOP VALVE (GAS LINE) (M3, M5, M6, M10, M11)
1926129	SWING COMPRESSOR (M1, M2, M4, M7, M8, M9)
1718032	THERMISTOR (AIR) (M3, M5, M6, M10, M11)
1868571	THERMISTOR (AIR) (M1, M2, M4, M7, M8, M9)
142744J	THREE WAY STOP VALVE (M1, M2, M4, M7, M8, M9)
142745J	THREE WAY STOP VALVE (M1, M2, M4, M7, M8, M9)

### Expanded Model Nomenclature

M1 - RZQ18PVJU8
M2 - RZQ24PVJU8
M3 - RZQ30PVJU7
M4 - RZQ30PVJU8
M5 - RZQ36PVJU8
M6 - RZQ42PVJU8
M7 - RZR18PVJU8
M8 - RZR24PVJU8
M9 - RZR30PVJU8
M10 - RZR36PVJU8
M11 - RZR42PVJU8

RZQ18PVJU8 / RZQ24PVJU8 / RZQ30PVJU8



Ref. Part No: No:	Description:	Ref. Part No: No:	Description:	
<b>Image 1:</b>		<b>Image 1:</b>		
1	1926129	55	131316J	FUSE (M1, M2, M4)
2	149873J	56	064060J	CAPACITY SETTING ADAPTOR (M1)
3	1727788	56	065336J	CAPACITY SETTING ADAPTOR (M2)
4	2361523	56	066965J	CAPACITY SETTING ADAPTOR (M4)
5	1666054	57	113783J	TAPPING SCREW (M1, M2, M4)
6	076850J	58	1891564	MOUNTING PLATE/ PCB (M1, M2, M4)
7	390204J	59	2024189	FAN MOTOR (DC) (M1, M2, M4)
8	096039J	60	1885374	FIN THERMISTOR (M1, M2, M4)
9	390215J	61	119839J	TAPPING SCREW (M1, M2, M4)
10	040139J	62	038006J	TRUSS HEAD MACHINE SCREW (M1, M2, M4)
11	2362146	63	1878624	WIRE HARNESS ASSY. (M1, M2, M4)
12	1891533	64	1891588	MOUNTING PLATE/ TERMINAL BLOCK (M1, M2, M4)
13	045432J			
14	1891540	65	1878631	WIRE HARNESS ASSY. (M1, M2, M4)
15	1878530	66	1878299	WIRE HARNESS ASSY. (M1, M2, M4)
16	162764J	67	1939149	WIRE HARNESS ASSY. (M1, M2, M4)
17	NA	68	1939156	WIRE HARNESS ASSY. (M1, M2, M4)
18	159974J	69	1939163	WIRE HARNESS ASSY. (M1, M2, M4)
19	232005J	70	1939170	WIRE HARNESS ASSY. (M1, M2, M4)
20	141151J	71	1939187	WIRE HARNESS ASSY. (M1, M2, M4)
21	1925885	72	1939194	WIRE HARNESS (M1, M2, M4)
22	142745J	73	1939101	PRINTED CIRCUIT ASSY. (DISPLAY) (M1, M2, M4)
23	1721122	74	1878679	WIRE HARNESS (COMPRESSOR) (M1, M2, M4)
24	142053J	75	1891595	MOUNTING PLATE/ COVER (M1, M2, M4)
25	1925962	76	1939118	MOUNTING PLATE/ PCB (M1, M2, M4)
26	0739098	77	131407J	REACTOR (M1, M2, M4)
27	151107J	78	1868571	THERMISTOR (AIR) (M1, M2, M4)
28	1925979	79	138826J	TOP PLATE (M1, M2, M4)
29	142657J	80	042392J	ANCHOR PLATE (M1, M2, M4)
30	NA	81	062525J	HANDLE (M1, M2, M4)
31	232025J	82	170169J	MOUNTING PLATE/ STOP VALVE (M1, M2, M4)
32	141151J	83	042396J	FITTING SPRING/ THERMISTOR (M1, M2, M4)
		84	069253J	RETAINER/ THERMISTOR (M1, M2, M4)
33	1801408	85	146505J	REINFORCEMENT PLATE (M1, M2, M4)
34	1991750	86	157132J	THERMISTOR FIXING PLATE (M1, M2, M4)
35	142744J	87	166140J	SEALER (FRONT PLATE 2) (M1, M2, M4)
36	1925892	88	162748J	SEALING MATERIAL (M1, M2, M4)
		89	162754J	SEALER (SIDE PLATE) (M1, M2, M4)
37	008034J	90	142663J	FRONT PLATE (1) (M1, M2, M4)
38	250004J	91	162762J	SEALING MATERIAL (M1, M2, M4)
39	139571J	92	041540J	TOP PLATE SEALING MATERIAL (4) (M1, M2, M4)
40	1701546	93	1739565	CUSHION RUBBER (M1, M2, M4)
41	847003J	94	140380J	WASHER FACED HEAD TAPPING SCREW (M1, M2, M4)
42	1513174			
43	2362160	95	138928J	FRONT PLATE (2) (M1, M2, M4)
44	1736667	96	049594J	HEX. HEAD TAPPING SCREW (M1, M2, M4)
45	1891557	97	131453J	TRUSS HEAD TAPPING SCREW (M1, M2, M4)
		98	1701717	SEALING MATERIAL/ TOP PLATE (M1, M2, M4)
46	2257167	99	138931J	SIDE PLATE (RIGHT) (M1, M2, M4)
47	1878617	100	1878686	PARTITION PLATE (M1, M2, M4)
48	064527J	101	1811979	MOTOR BASE (M1, M2, M4)
49	127853J	102	2006307	SEALING MATERIAL (M1, M2, M4)
50	1925948	103	2310765	PIPING COVER FRONT (M1, M2, M4)
51	2361840	104	138865J	PIPING COVER REAR (M1, M2, M4)
		105	1878718	BOTTOM FRAME (M1, M2, M4)
52	1617139	106	2006314	NAMEPLATE DAIKIN (M1, M2, M4)
53	1783702	107	NA	ACCESSORY SET (M1, M2, M4)
54	1939132	108	2006321	CONDUIT MOUNTING PLATE (M1, M2, M4)
		109	1997431	CONDUIT MOUNTING PLATE (M1, M2, M4)

Ref. Part No: No:	Description:	Ref. Part No: No:	Description:
-------------------	--------------	-------------------	--------------

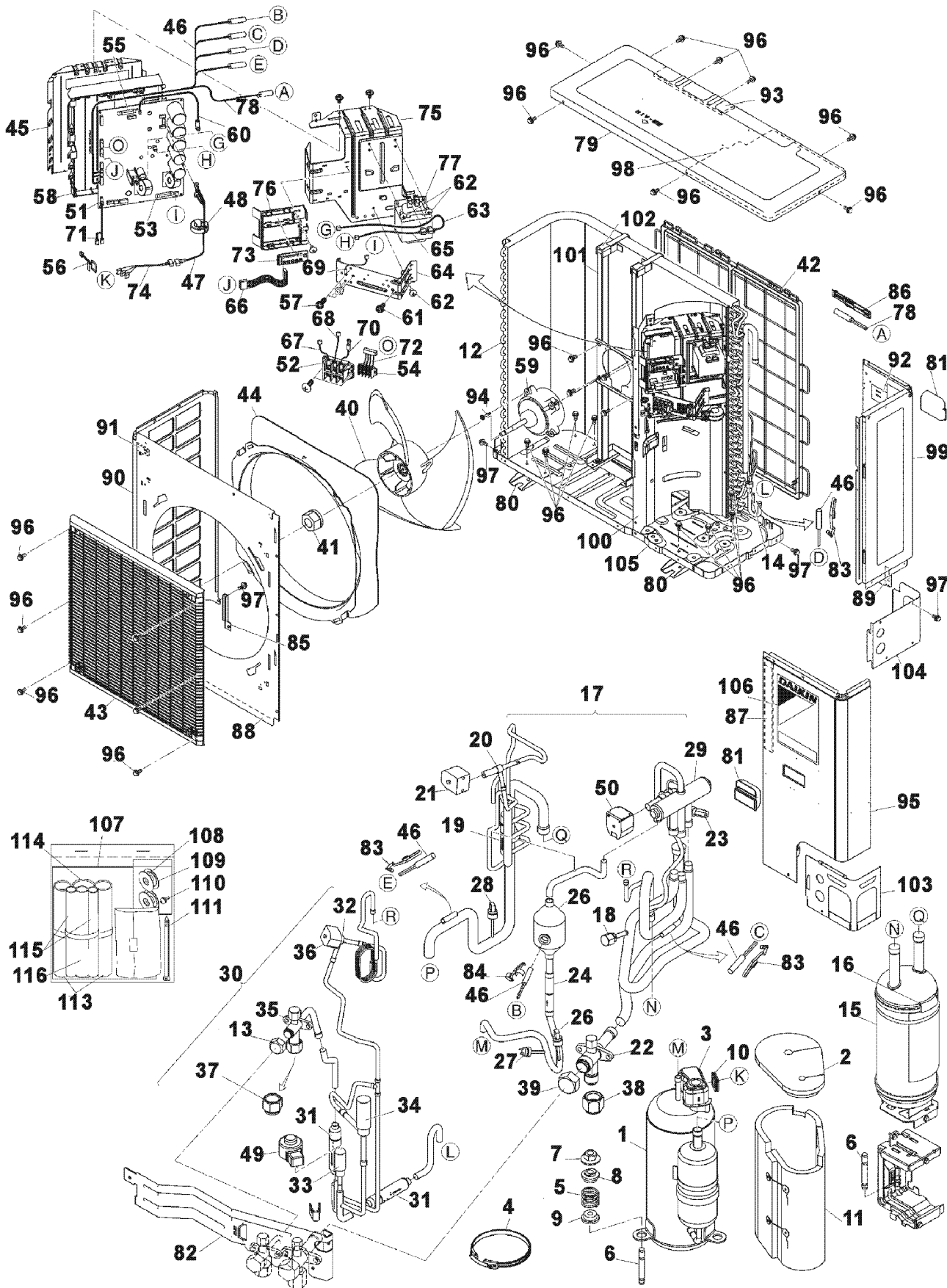
**Image 1:**

110	119839J	TAPPING SCREW (M1, M2, M4)
111	980773J	CLAMP/ LEAD WIRE (M1, M2, M4)
112	2006338	ELECTRIC INSULATION (M1, M2, M4)
113	2006345	ELECTRIC INSULATION (M1, M2, M4)
114	2006352	ELECTRIC INSULATION (M1, M2, M4)
115	2006369	ELECTRIC INSULATION (M1, M2, M4)

**Expanded Model Nomenclature**

M1 - RZQ18PVJU8
M2 - RZQ24PVJU8
M3 - RZQ30PVJU7
M4 - RZQ30PVJU8
M5 - RZQ36PVJU8
M6 - RZQ42PVJU8
M7 - RZR18PVJU8
M8 - RZR24PVJU8
M9 - RZR30PVJU8
M10 - RZR36PVJU8
M11 - RZR42PVJU8

RZR18PVJU8 / RZR24PVJU8 / RZR30PVJU8



Ref. Part No: No:	Description:	Ref. Part No: No:	Description:
<b>Image 1:</b>		<b>Image 1:</b>	
1	1926129 SWING COMPRESSOR (M7, M8, M9)	55	131316J FUSE (M7, M8, M9)
2	149873J SOUND INSULATION (TOP) (M7, M8, M9)	56	064060J CAPACITY SETTING ADAPTOR (M7)
3	1727788 TERMINAL COVER (M7, M8, M9)	56	065336J CAPACITY SETTING ADAPTOR (M8)
4	2361523 CRANK CASE HEATER ASSY. (M7, M8, M9)	56	066965J CAPACITY SETTING ADAPTOR (M9)
5	1666054 MOUNTING SPRING (M7, M8, M9)	57	113783J TAPPING SCREW (M7, M8, M9)
6	076850J SET BOLT/ COMPRESSOR (M7, M8, M9)	58	1891564 MOUNTING PLATE/ PCB (M7, M8, M9)
7	390204J NUT WITH WASHER (M7, M8, M9)	59	2024189 FAN MOTOR (DC) (M7, M8, M9)
8	096039J SPRING HOLDER (1) (M7, M8, M9)	60	1885374 FIN THERMISTOR (M7, M8, M9)
9	390215J SPRING HOLDER (2) (M7, M8, M9)	61	119839J TAPPING SCREW (M7, M8, M9)
10	040139J RUBBER BUSH/ LEAD WIRE (M7, M8, M9)	62	038006J TRUSS HEAD MACHINE SCREW (M7, M8, M9)
11	2362146 SOUND INSULATION (COMP.) (M7, M8, M9)	63	1878624 WIRE HARNESS ASSY. (M7, M8, M9)
12	1891533 HEAT EXCHANGER ASSY. (M7, M8, M9)	64	1891588 MOUNTING PLATE/ TERMINAL BLOCK (M7, M8, M9)
13	045432J STOP VALVE CAP (M7, M8, M9)		
14	1891540 DISTRIBUTOR ASSY. (M7, M8, M9)	65	1878631 WIRE HARNESS ASSY. (M7, M8, M9)
15	1878530 ACCUMULATOR (M7, M8, M9)	66	1878299 WIRE HARNESS ASSY. (M7, M8, M9)
16	162764J SEALER (FRONT PLATE 1) (M7, M8, M9)	67	1939149 WIRE HARNESS ASSY. (M7, M8, M9)
17	NA FOUR WAY VALVE ASSY. (M7, M8, M9)	68	1939156 WIRE HARNESS ASSY. (M7, M8, M9)
18	159974J SERVICING PORT (M7, M8, M9)	69	1939163 WIRE HARNESS ASSY. (M7, M8, M9)
19	232005J REFRIGERANT FILTER (M7, M8, M9)	70	1939170 WIRE HARNESS ASSY. (M7, M8, M9)
20	141151J BODY/ SOLENOID VALVE (HOT GAS) (M7, M8, M9)	71	1939187 WIRE HARNESS ASSY. (M7, M8, M9)
21	1925885 COIL/ SOLENOID VALVE (HOT GAS) (M7, M8, M9)	72	1939194 WIRE HARNESS (M7, M8, M9)
22	142745J THREE WAY STOP VALVE (M7, M8, M9)	73	1939101 PRINTED CIRCUIT ASSY. (DISPLAY) (M7, M8, M9)
23	1721122 FUSIBLE PLUG (M7, M8, M9)	74	1878679 WIRE HARNESS (COMPRESSOR) (M7, M8, M9)
24	142053J CHECK VALVE (M7, M8, M9)	75	1891595 MOUNTING PLATE/ COVER (M7, M8, M9)
25	1925962 HIGH PRESSURE SENSOR (M7, M8, M9)	76	1939118 MOUNTING PLATE/ PCB (M7, M8, M9)
26	0739098 MUFFLER (M7, M8, M9)	77	131407J REACTOR (M7, M8, M9)
27	151107J HIGH PRESSURE SWITCH (M7, M8, M9)	78	1868571 THERMISTOR (AIR) (M7, M8, M9)
28	1925979 LOW PRESSURE SENSOR (M7, M8, M9)	79	138826J TOP PLATE (M7, M8, M9)
29	142657J BODY/ FOUR WAY VALVE (M7, M8, M9)	80	042392J ANCHOR PLATE (M7, M8, M9)
30	NA ELECTRONIC EXP. VALVE ASSY. (M7, M8, M9)	81	062525J HANDLE (M7, M8, M9)
31	232025J REFRIGERANT FILTER (M7, M8, M9)	82	170169J MOUNTING PLATE/ STOP VALVE (M7, M8, M9)
32	141151J BODY/ SOLENOID VALVE (INJECTION) (M7, M8, M9)	83	042396J FITTING SPRING/ THERMISTOR (M7, M8, M9)
		84	069253J RETAINER/ THERMISTOR (M7, M8, M9)
33	1801408 BODY/ ELECTRONIC EXP. VALVE (M7, M8, M9)	85	146505J REINFORCEMENT PLATE (M7, M8, M9)
34	1991750 PRESSURE CONTROL VALVE (M7, M8, M9)	86	157132J THERMISTOR FIXING PLATE (M7, M8, M9)
35	142744J THREE WAY STOP VALVE (M7, M8, M9)	87	166140J SEALER (FRONT PLATE 2) (M7, M8, M9)
36	1925892 COIL/ SOLENOID VALVE (INJECTION) (M7, M8, M9)	88	162748J SEALING MATERIAL (M7, M8, M9)
		89	162754J SEALER (SIDE PLATE) (M7, M8, M9)
37	008034J FLARE NUT (M7, M8, M9)	90	142663J FRONT PLATE (1) (M7, M8, M9)
38	250004J FLARE NUT (M7, M8, M9)	91	162762J SEALING MATERIAL (M7, M8, M9)
39	139571J VALVE CAP (M7, M8, M9)	92	041540J TOP PLATE SEALING MATERIAL (4) (M7, M8, M9)
40	1701546 FAN BLADE (M7, M8, M9)	93	1739565 CUSHION RUBBER (M7, M8, M9)
41	847003J LOCK NUT/ FAN (M7, M8, M9)	94	140380J WASHER FACED HEAD TAPPING SCREW (M7, M8, M9)
42	1513174 SUCTION GRILLE (M7, M8, M9)		
43	2362160 AIR DISCHARGE GRILLE ASSY. (M7, M8, M9)	95	138928J FRONT PLATE (2) (M7, M8, M9)
44	1736667 BELL MOUTH (M7, M8, M9)	96	049594J HEX. HEAD TAPPING SCREW (M7, M8, M9)
45	1891557 MOUNTING PLATE/ ELECTRIC DEVICES (M7, M8, M9)	97	131453J TRUSS HEAD TAPPING SCREW (M7, M8, M9)
		98	1701717 SEALING MATERIAL/ TOP PLATE (M7, M8, M9)
46	2257167 THERMISTOR ASSY. (M7, M8, M9)	99	138931J SIDE PLATE (RIGHT) (M7, M8, M9)
47	1878617 WIRE HARNESS ASSY. (COMP.) (M7, M8, M9)	100	1878686 PARTITION PLATE (M7, M8, M9)
48	064527J LINE FILTER (M7, M8, M9)	101	1811979 MOTOR BASE (M7, M8, M9)
49	127853J COIL/ ELECTRONIC EXP. VALVE (M7, M8, M9)	102	2006307 SEALING MATERIAL (M7, M8, M9)
50	1925948 COIL/ FOUR WAY VALVE (M7, M8, M9)	103	2310765 PIPING COVER FRONT (M7, M8, M9)
51	2361516 PRINTED CIRCUIT ASSY. (CONTROL) (M7, M8, M9)	104	138865J PIPING COVER REAR (M7, M8, M9)
		105	1878718 BOTTOM FRAME (M7, M8, M9)
52	1617139 TERMINAL BLOCK (M7, M8, M9)	106	2006314 NAMEPLATE DAIKIN (M7, M8, M9)
53	1783702 FUSE (M7, M8, M9)	107	NA ACCESSORY SET (M7, M8, M9)
54	1939132 TERMINAL BLOCK (M7, M8, M9)	108	2006321 CONDUIT MOUNTING PLATE (M7, M8, M9)
		109	1997431 CONDUIT MOUNTING PLATE (M7, M8, M9)

Ref. Part No: No:	Description:	Ref. Part No: No:	Description:
-------------------	--------------	-------------------	--------------

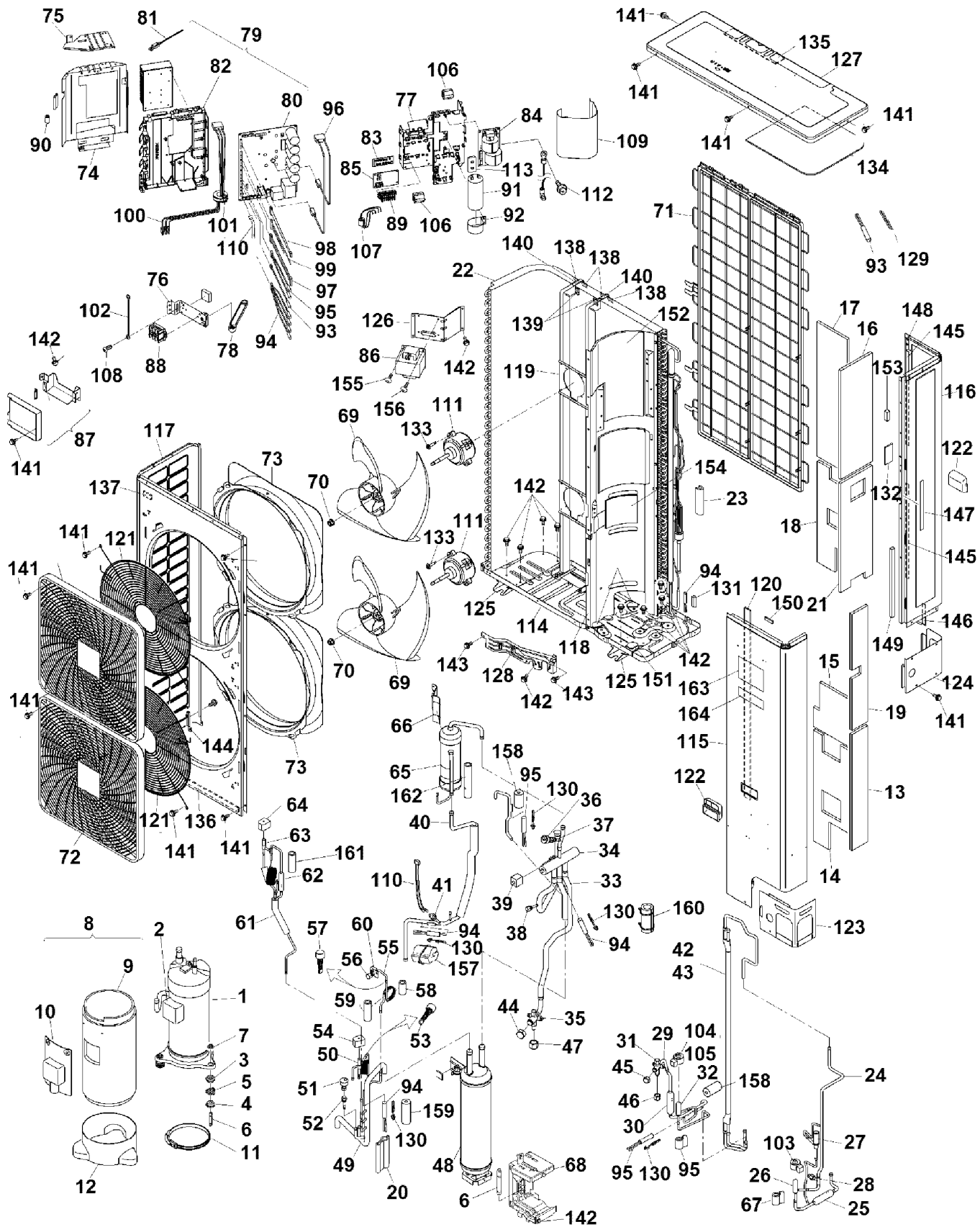
**Image 1:**

110	119839J	TAPPING SCREW (M7, M8, M9)
111	980773J	CLAMP/ LEAD WIRE (M7, M8, M9)
113	2006338	ELECTRIC INSULATION (M7, M8, M9)
114	2006345	ELECTRIC INSULATION (M7, M8, M9)
115	2006352	ELECTRIC INSULATION (M7, M8, M9)
116	2006369	ELECTRIC INSULATION (M7, M8, M9)

**Expanded Model Nomenclature**

M1 - RZQ18PVJU8
M2 - RZQ24PVJU8
M3 - RZQ30PVJU7
M4 - RZQ30PVJU8
M5 - RZQ36PVJU8
M6 - RZQ42PVJU8
M7 - RZR18PVJU8
M8 - RZR24PVJU8
M9 - RZR30PVJU8
M10 - RZR36PVJU8
M11 - RZR42PVJU8

RZQ30PVJU7/RZQ36PVJU8/RZQ42PVJU8/RZR36PVJU8/RZR42PVJU8



Ref. Part No: No:	Description:	Ref. Part No: No:	Description:	
<b>Image 1:</b>		<b>Image 1:</b>		
1	4005908	36	6025672	HIGH PRESSURE SENSOR (M3, M5, M6, M10, M11)
2	1874305			
3	096039J	37	154184J	GAUGE JOINT WITH CHECK VALVE (M3, M5, M6, M10, M11)
4	390215J			
5	117961J	38	143265J	SERVICING PORT ASSY. (M3, M5, M6, M10, M11)
6	065023J	39	4005910	COIL/ FOUR WAY VALVE (M3, M5, M6, M10, M11)
		40	NA	DISCHARGE PIPE ASSY. (M3, M5, M6, M10, M11)
7	4010410	41	151107J	HIGH PRESSURE SWITCH (M3, M5, M6, M10, M11)
		42	NA	DOUBLE TUBE HEAT EXCHANGER ASSY. (M3, M5, M6, M10, M11)
8	1721191			
		43	1553639	DOUBLE TUBE HEAT EXCHANGER (M3, M5, M6, M10, M11)
9	1721209			
		44	139571J	VALVE CAP (M3, M5, M6, M10, M11)
10	149936J	45	045432J	STOP VALVE CAP (M3, M5, M6, M10, M11)
		46	119848J	FLARE NUT (M3, M5, M6, M10, M11)
11	4005909	47	119850J	FLARE NUT (M3, M5, M6, M10, M11)
12	162737J	48	172125J	ACCUMULATOR ASSY. (M3, M5, M6, M10, M11)
		49	NA	SUCTION PIPE ASSY. (M3, M5, M6, M10, M11)
13	162814J	50	141151J	BODY/ SOLENOID VALVE (U/L CIRCUIT) (M3, M5, M6, M10, M11)
14	1724587	51	4902642	PRESSURE SENSOR (FOR LOWER) (M3, M5, M6, M10, M11)
15	162816J	52	154184J	GAUGE JOINT WITH CHECK VALVE (M3, M5, M6, M10, M11)
16	162739J	53	111167J	STRAINER (M3, M5, M6, M10, M11)
		54	4005912	COIL/ SOLENOID VALVE (U/L CIRCUIT) (M3, M5, M6, M10, M11)
17	162740J			
		55	6022994	REFRIGERANT PIPE ASSY. (SERVICE PORT) (M3, M5, M6, M10, M11)
18	162741J	56	151454J	BODY/ SERVICING PORT (M3, M5, M6, M10, M11)
		57	111167J	STRAINER (M3, M5, M6, M10, M11)
19	162817J	58	0028642	CUSHION RUBBER (M3, M5, M6, M10, M11)
		59	147560J	CUSHION RUBBER (M3, M5, M6, M10, M11)
20	162522J	60	4011494	MOUNTING PLATE (M3, M5, M6, M10, M11)
21	1724594	61	NA	OIL RETURN PIPE ASSY. (M3, M5, M6, M10, M11)
		62	232005J	REFRIGERANT FILTER (M3, M5, M6, M10, M11)
22	1721230	63	141151J	BODY/ SOLENOID VALVE (HOT GAS) (M3, M5, M6, M10, M11)
23	1625231	64	4005913	COIL/ SOLENOID VALVE (HOT GAS) (M3, M5, M6, M10, M11)
24	NA	65	4005914	OIL SEPARATOR ASSY. (M3, M5, M6, M10, M11)
		66	1721278	MOUNTING PLATE (OIL SEPARATOR) (M3, M5, M6, M10, M11)
25	065026J			
26	167946J	67	1721292	SOUNDPROOF PUTTY (M3, M5, M6, M10, M11)
		68	6003084	MOUNTING PLATE/ ACCUMULATOR (M3, M5, M6, M10, M11)
27	1991750			
		69	1701546	FAN BLADE (M3, M5, M6, M10, M11)
28	1721122	70	847003J	LOCK NUT/ FAN (M3, M5, M6, M10, M11)
29	4011316	71	1381889	AIR SUCTION GRILLE (M3, M5, M6, M10, M11)
		72	151771J	AIR DISCHARGE GRILLE (M3, M5, M6, M10, M11)
30	065026J	73	1736667	BELL MOUTH (M3, M5, M6, M10, M11)
31	148325J	74	172130J	MOUNTING PLATE/ ELECTRIC DEVICES (M3, M5, M6, M10, M11)
32	142054J			
		75	170158J	MOUNTING PLATE/ REACTOR (M3, M5, M6, M10, M11)
33	NA			
34	1946976	76	1701616	MOUNTING PLATE/ TERMINAL BLOCK (M3, M5, M6, M10, M11)
35	161710J			

Ref. Part No: No:	Description:	Ref. Part No: No:	Description:
<i>Image 1:</i>		<i>Image 1:</i>	
77	170160J COVER/ SWITCH BOX (M3, M5, M6, M10, M11)	118	1721456 PARTITION PLATE (M3, M5, M6, M10, M11)
78	1701591 MOUNTING PLATE/ TERMINAL BLOCK (M3, M5, M6, M10, M11)	119	4010788 MOTOR BASE (M3, M5, M6, M10, M11)
79	4011495 PRINTED CIRCUIT ASSY. (M3, M5, M6, M10, M11)	120	144658J SEALING MATERIAL (M3, M5, M6, M10, M11)
80	4011496 PRINTED CIRCUIT ASSY. (M3, M5, M6, M10, M11)	121	4005920 AIR OUTLET PROTECTION NET (M3, M5, M6, M10, M11)
81	1701560 FIN THERMISTOR (FIN) (M3, M5, M6, M10, M11)	122	092045J HANDLE (M3, M5, M6, M10, M11)
82	4005916 MOUNTING PLATE/ PCB (M3, M5, M6, M10, M11)	123	1617160 COVER/ PIPING (FRONT) (M3, M5, M6, M10, M11)
83	1717990 PRINTED CIRCUIT ASSY. (SERVICE) (M3, M5, M6, M10, M11)	124	1617153 COVER/ PIPING (REAR) (M3, M5, M6, M10, M11)
84	4005917 PRINTED CIRCUIT ASSY. (NOISE FILTER) (M3, M5, M6, M10, M11)	125	151772J ANCHOR PLATE (M3, M5, M6, M10, M11)
85	1718018 PRINTED CIRCUIT ASSY. (C/H SELECTOR) (M3, M5, M6, M10, M11)	126	1721463 MOUNTING PLATE ASSY. (REACTOR) (M3, M5, M6, M10, M11)
86	1717976 REACTOR (M3, M5, M6, M10, M11)	127	151767J TOP PLATE (M3, M5, M6, M10, M11)
87	4005918 COVER/ TERMINAL STRIP (M3, M5, M6, M10, M11)	128	1705113 PLATE/ STOP VALVE MOUNTING (M3, M5, M6, M10, M11)
88	4005919 TERMINAL BLOCK (M3, M5, M6, M10, M11)	129	157132J THERMISTOR FIXING PLATE (M3, M5, M6, M10, M11)
89	1721348 TERMINAL BLOCK (M3, M5, M6, M10, M11)	130	042396J FITTING SPRING/ THERMISTOR (M3, M5, M6, M10, M11)
90	0768825 CLAMP FILTER (M3, M5, M6, M10, M11)	131	021109J FIXTURE/ THERMISTOR (M3, M5, M6, M10, M11)
91	1718025 CAPACITOR (M3, M5, M6, M10, M11)	132	1721470 SEALING MATERIAL (SIDE PLATE) (M3, M5, M6, M10, M11)
92	1721355 FIXING BAND/ CAPACITOR (M3, M5, M6, M10, M11)	133	140380J WASHER FACED HEAD TAPPING SCREW (M3, M5, M6, M10, M11)
93	1718032 THERMISTOR (AIR) (M3, M5, M6, M10, M11)	134	162746J SEALING MATERIAL (M3, M5, M6, M10, M11)
94	1718049 THERMISTOR ASSY. (1) (M3, M5, M6, M10, M11)	135	1627477 SEALING MATERIAL (M3, M5, M6, M10, M11)
95	1718056 THERMISTOR ASSY. (2) (M3, M5, M6, M10, M11)	136	162748J SEALING MATERIAL (M3, M5, M6, M10, M11)
96	1721362 WIRE HARNESS ASSY. (REACTOR) (M3, M5, M6, M10, M11)	137	162762J SEALING MATERIAL (M3, M5, M6, M10, M11)
97	1708439 WIRE HARNESS ASSY. (SERVICE PCB) (M3, M5, M6, M10, M11)	138	1627509 SEALER (M3, M5, M6, M10, M11)
98	1721379 WIRE HARNESS ASSY. (C/H SELECTOR) (M3, M5, M6, M10, M11)	139	1627516 SEALER (M3, M5, M6, M10, M11)
99	1721386 WIRE HARNESS ASSY. (TERMINAL STRIP) (M3, M5, M6, M10, M11)	140	1627523 SEALER (M3, M5, M6, M10, M11)
100	1721393 WIRE HARNESS ASSY. (COMPRESSOR) (M3, M5, M6, M10, M11)	141	NA HEX. HEAD TAPPING SCREW (M3, M5, M6, M10, M11)
101	064527J LINE FILTER (M3, M5, M6, M10, M11)	142	131453J TRUSS HEAD TAPPING SCREW (M3, M5, M6, M10, M11)
102	1721401 WIRE HARNESS ASSY. (EARTH) (M3, M5, M6, M10, M11)	143	162753J SCREW/ C TIGHT CUP (M3, M5, M6, M10, M11)
103	1718063 COIL/ ELECTRONIC EXP. VALVE (MAIN) (M3, M5, M6, M10, M11)	144	146505J REINFORCEMENT PLATE (M3, M5, M6, M10, M11)
104	1718070 COIL/ ELECTRONIC EXP. VALVE (SUBCOOL) (M3, M5, M6, M10, M11)	145	162748J SEALING MATERIAL (M3, M5, M6, M10, M11)
105	1307766 FERRITE CORE (M3, M5, M6, M10, M11)	146	162754J SEALER (SIDE PLATE) (M3, M5, M6, M10, M11)
106	142028J FERRITE CORE (M3, M5, M6, M10, M11)	147	1627554 SEALER (SIDE PLATE) (M3, M5, M6, M10, M11)
107	1307766 FERRITE CORE (M3, M5, M6, M10, M11)	148	1627561 CUSHION (M3, M5, M6, M10, M11)
108	119839J TAPPING SCREW (M3, M5, M6, M10, M11)	149	162757J SEALER (EL. COMP. CONTROL) (M3, M5, M6, M10, M11)
109	1721425 INSULATION SHEET (UPPER) (M3, M5, M6, M10, M11)	150	162764J SEALER (FRONT PLATE 1) (M3, M5, M6, M10, M11)
110	172144J WIRE HARNESS ASSY. (HPS) (M3, M5, M6, M10, M11)	151	162765J SEALER (BOTTOM PLATE) (M3, M5, M6, M10, M11)
111	2024336 DC FAN MOTOR (M3, M5, M6, M10, M11)	152	1721487 SOUND INSULATION (M3, M5, M6, M10, M11)
112	NA TAPPING SCREW (M3, M5, M6, M10, M11)	153	1721494 CUSHION MATERIAL (M3, M5, M6, M10, M11)
113	1902426 MOUNTING PLATE/ ELECTRIC DEVICES (M3, M5, M6, M10, M11)	154	1544729 SOUND INSULATION MATERIAL (M3, M5, M6, M10, M11)
114	1706611 BOTTOM FRAME (M3, M5, M6, M10, M11)	155	NA TRUSS TAPPING SCREW (M3, M5, M6, M10, M11)
115	151769J FRONT PLATE (2) (M3, M5, M6, M10, M11)	156	008802J TAPPING SCREW (M3, M5, M6, M10, M11)
116	151770J SIDE PLATE (RIGHT) (M3, M5, M6, M10, M11)	157	141626J HEAT INSULATION (M3, M5, M6, M10, M11)
117	151768J FRONT PLATE (1) (M3, M5, M6, M10, M11)	158	6025359 THERMAL INSULATION TUBE (M3, M5, M6, M10, M11)
		159	2007519 THERMAL INSULATION TUBE (M3, M5, M6, M10, M11)

<b>Ref. Part No: No:</b>	<b>Description:</b>	<b>Ref. Part No: No:</b>	<b>Description:</b>
<b>Image 1:</b>			
160 6025360	THERMAL INSULATION TUBE (M3, M5, M6, M10, M11)		
161 4016395	HEAT INSULATION (M3, M5, M6, M10, M11)		
162 4020087	HEAT INSULATION (M3, M5, M6, M10, M11)		
163 092048J	NAMEPLATE DAIKIN (M3, M5, M6, M10, M11)		
164 146144J	DECORATION LABEL (M3, M5, M6, M10, M11)		

**Expanded Model Nomenclature**

- |                  |
|------------------|
| M1 - RZQ18PVJU8  |
| M2 - RZQ24PVJU8  |
| M3 - RZQ30PVJU7  |
| M4 - RZQ30PVJU8  |
| M5 - RZQ36PVJU8  |
| M6 - RZQ42PVJU8  |
| M7 - RZR18PVJU8  |
| M8 - RZR24PVJU8  |
| M9 - RZR30PVJU8  |
| M10 - RZR36PVJU8 |
| M11 - RZR42PVJU8 |