

**RZQ/RZR\*\*TAVJU Outdoor A/C and Heat Pump**

RZQ18TAVJU  
RZQ24TAVJU  
RZQ30TAVJU  
RZQ36TAVJU  
RZQ42TAVJU  
RZQ48TAVJU  
RZR18TAVJU  
RZR24TAVJU  
RZR30TAVJU  
RZR36TAVJU  
RZR42TAVJU  
RZR48TAVJU



This manual is to be used by qualified technicians only.

# Important Information

---

## Index

Functional Parts List .....	3
Illustration and Parts .....	4 - 11

*Views shown are for parts illustrations only, not servicing procedures.*

### Text Codes:

AR - As Required

NA - Not Available

NS - Not Shown

00000000 - See Note

QTY - Quantity Example (QTY 3) (If Quantity not shown, Quantity = 1)

M - Model Example (M1) (If M Code not shown, then part is used on all Models)

### Expanded Model Nomenclature:

Example
M1 - Model#1
M2 - Model#2
M3 - Model#3

Daikin Manufacturing Company, L.P. is not responsible for personal injury or property damage resulting from improper service. Review all service information before beginning repairs.

Warranty service must be performed by an authorized technician, using authorized factory parts. If service is required after the warranty expires, Daikin Manufacturing Company, L.P. also recommends contacting an authorized technician and using authorized factory parts.

Daikin Manufacturing Company, L.P. reserves the right to discontinue, or change at any time, specifications or designs without notice or without incurring obligations.

For assistance within the U.S.A. contact:

Homeowner Support  
Daikin North America, LLC  
19001 Kermier Road  
Waller, Texas 77484  
855-770-5678-Telephone  
713-863-2382-Facsimile

For assistance outside the U.S.A. contact:

International Division  
Daikin North America, LLC  
19001 Kermier Road  
Waller, Texas 77484  
713-861-2500-Telephone  
713-863-2382-Facsimile

# Functional Parts

**Part**

**No: Description:**

---

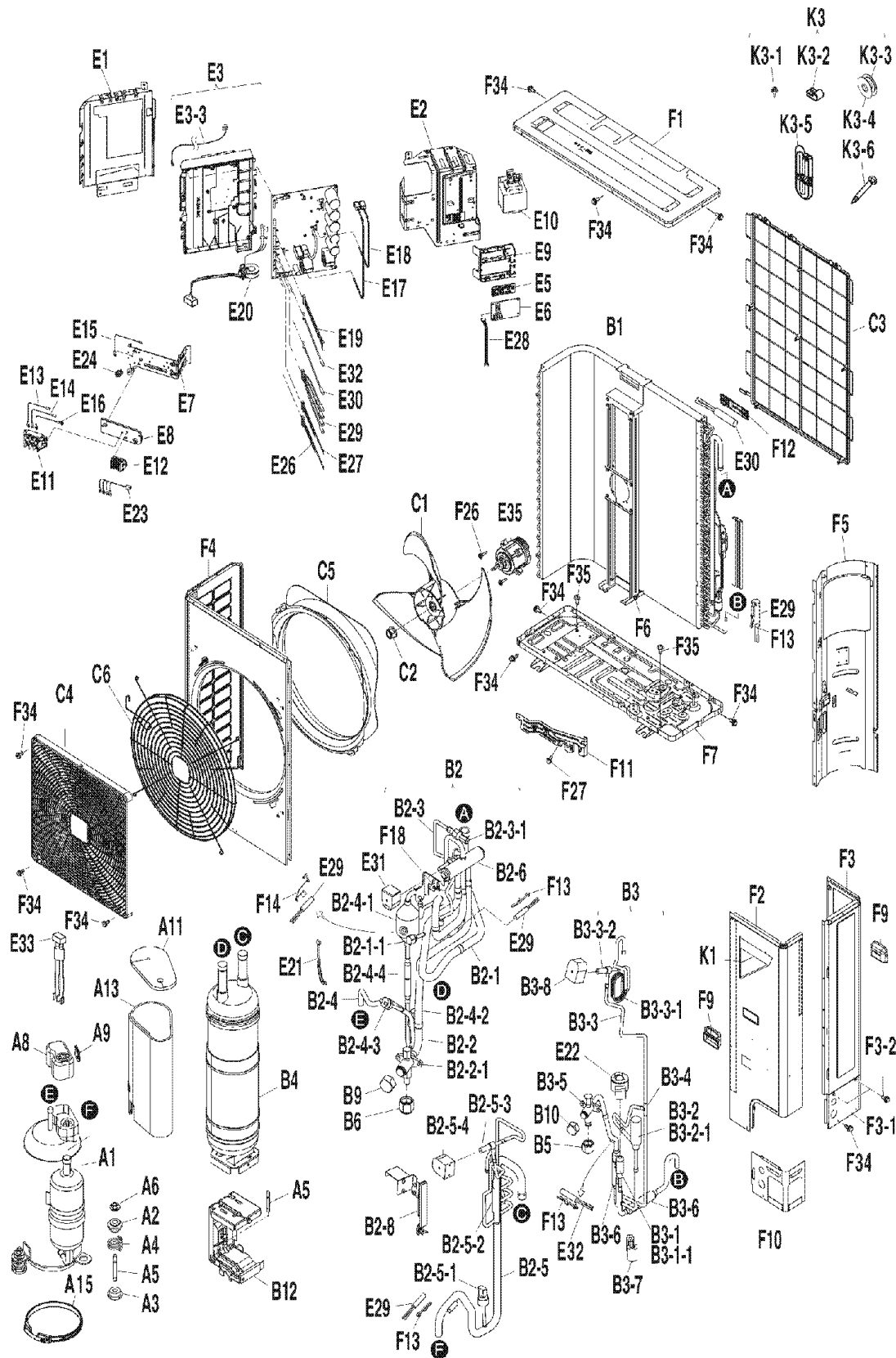
142053J	CHECK VALVE (M1, M2, M7, M8)
107638J	CHECK VALVE (M3, M4, M5, M6, M9, M10, M11, M12)
6024201	CRANK CASE HEATER
2024336	DC FAN MOTOR (M3, M4, M5, M6, M9, M10, M11, M12)
6016145	FAN MOTOR
1721122	FUSIBLE PLUG
6023718	HIGH PRESSURE SENSOR
151107J	HIGH PRESSURE SWITCH
6023719	LOW PRESSURE SENSOR
6026136	PRESSURE CONTROL VALVE
6025924	PRINTED CIRCUIT ASSY. (M3, M4, M5, M6, M9, M10, M11, M12)
1718018	PRINTED CIRCUIT BOARD ASSY. (C/H SELECTOR) (M1, M2, M7, M8)
2430520	PRINTED CIRCUIT BOARD ASSY. (MAIN) (M8)
2430513	PRINTED CIRCUIT BOARD ASSY. (MAIN) (M7)
2430380	PRINTED CIRCUIT BOARD ASSY. (MAIN) (M2)
2430373	PRINTED CIRCUIT BOARD ASSY. (MAIN) (M1)
1939101	PRINTED CIRCUIT BOARD ASSY. (SERVICE) (M1, M2, M7, M8)
148325J	STOP VALVE
161710J	STOP VALVE (GAS LINE)
6025911	SWING COMPRESSOR
6025930	SWING COMPRESSOR (M3, M4, M5, M6, M9, M10, M11, M12)
6018704	THERMISTOR (AIR)

**Expanded Model Nomenclature**

M1 - RZQ18TAVJU
M2 - RZQ24TAVJU
M3 - RZQ30TAVJU
M4 - RZQ36TAVJU
M5 - RZQ42TAVJU
M6 - RZQ48TAVJU
M7 - RZR18TAVJU
M8 - RZR24TAVJU
M9 - RZR30TAVJU
M10 - RZR36TAVJU
M11 - RZR42TAVJU
M12 - RZR48TAVJU

# RZQ[18,24]TAVJU

## RZQ18TAVJU / RZQ24TAVJU



Picture Key

Ref #	Picture #
1	A1
2	A11
3	A13
4	A15
5	A2
6	A3
7	A4
8	A8
9	A9
10	A8
11	A9
12	B1
13	B10
14	B12
15	B2
16	B2-1
17	B2-1-1
18	B2-2
19	B2-2-1
20	B2-3
21	B2-3-1
22	B2-4
23	B2-4-1
24	B2-4-2
25	B2-4-3
26	B2-4-4
27	B2-5
28	B2-5-1
29	B2-5-2
30	B2-5-3
31	B2-5-4
32	B2-6
33	B2-8
34	B3
35	B3-1
36	B3-1-1
37	B3-2
38	B3-2-1
39	B3-3
40	B3-3-1
41	B3-3-2
42	B3-4
43	B3-5
44	B3-6
45	B3-7
46	B3-8
47	B4
48	B5
49	B6
50	B9
51	C1
52	C2
53	C3
54	C4
55	C5
56	C6
57	E1
58	E10
59	E11
60	E12
61	E13
62	E14
63	E15
64	E16
65	E17
66	E18
67	E19
68	E2
69	E20
70	E21
71	F22
72	E23
73	E24
74	E26
75	E27
76	E28
77	F29
78	E3
79	E30
80	E31
81	E32
82	E33
83	E34
84	E35
85	E5
86	E6
87	E7
88	E8
89	E9
90	F1
91	F10
92	F11
93	F12
94	F13
95	F14
96	F18
97	F2
98	F26
99	F27
100	F3
101	F3-1
102	F3-2
103	F34
104	F35
105	F4
106	F5
107	F6
108	F7
109	F9
110	K1
111	K3
112	K3-1
113	K3-2
114	K3-3
115	K3-4
116	K3-5
117	K3-6

# RZQ[18,24]TAVJU

Ref. Part No:	Ref. Part No:	Description:	Description:
<b>Image 1:</b>		<b>Image 1:</b>	
1	6025911	SWING COMPRESSOR (M1, M2)	55 6023720 BELL MOUTH (M1, M2)
2	1727803	SOUND INSULATION (INNER TOP) (M1, M2)	56 6025912 AIR OUTLET PROTECTION NET (M1, M2)
3	6005458	SOUND INSULATION (INNER) (M1, M2)	57 6018393 ELECTRIC COMPONENTS MOUNTING PLATE (M1, M2)
4	6024201	CRANK CASE HEATER (M1, M2)	58 131407J REACTOR (M1, M2)
5	096039J	SPRING HOLDER (1) (M1, M2)	59 1617139 TERMINAL BLOCK (POWER SUPPLY) (M1, M2)
6	390215J	SPRING HOLDER (2) (M1, M2)	60 6018703 TERMINAL SEAT (CONTROL) (M1, M2)
7	390208J	MOUNTING SPRING (M1, M2)	61 1939149 WIRE HARNESS ASSY. (M1, M2)
8	076850J	SET BOLT/ COMPRESSOR (M1, M2)	62 1939156 WIRE HARNESS ASSY. (M1, M2)
9	135859J	FLANGE NUT (M1, M2)	63 1939163 WIRE HARNESS ASSY. (M1, M2)
10	2430366	TERMINAL COVER (M1, M2)	64 1939170 WIRE HARNESS ASSY. (M1, M2)
11	040139J	RUBBER BUSH/ LEAD WIRE (M1, M2)	65 1878624 WIRE HARNESS ASSY. (M1, M2)
12	6021439	CROSS-FIN CONDENSER ASSY. (M1, M2)	66 1878631 WIRE HARNESS ASSY. (M1, M2)
13	045432J	STOP VALVE CAP (M1, M2)	67 1878299 WIRE HARNESS ASSY. (M1, M2)
14	4008212	MOUNTING PLATE (M1, M2)	68 6018700 EL. COMPO. MOUNTING PLATE (COVER) (M1, M2)
15	NA	FOUR WAY VALVE ASSY. (M1, M2)	69 6018402 WIRE HARNESS ASSY. (COMPRESSOR) (M1, M2)
16	NA	REFRIGERANT PIPE ASSY. (M1, M2)	70 6018403 WIRE HARNESS ASSY. (M1, M2)
17	143265J	SERVICING PORT ASSY. (M1, M2)	71 6018705 COIL/ ELECTRIC EXP. VALVE (MAIN) (M1, M2)
18	NA	REFRIGERANT PIPE ASSY. (M1, M2)	72 1939194 WIRE HARNESS (M1, M2)
19	161710J	STOP VALVE (GAS LINE) (M1, M2)	73 027843J WIRE CLIP (M1, M2)
20	NA	SUCTION PIPE ASSY. (M1, M2)	74 2105437 LEAD WIRE (HIGH PRESSURE SENSOR) (M1, M2)
21	1721122	FUSIBLE PLUG (M1, M2)	75 6018404 LEAD WIRE (LOW PRESSURE SENSOR) (M1, M2)
22	NA	DISCHARGE PIPE ASSY. (M1, M2)	76 1721379 WIRE HARNESS ASSY. (C/H SELECTOR) (M1, M2)
23	0739098	MUFFLER (M1, M2)	77 6018706 THERMISTOR ASSY. (M1, M2)
24	6023718	HIGH PRESSURE SENSOR (M1, M2)	78 2430373 PRINTED CIRCUIT BOARD ASSY. (MAIN) (M1)
25	151107J	HIGH PRESSURE SWITCH (M1, M2)	78 2430380 PRINTED CIRCUIT BOARD ASSY. (MAIN) (M2)
26	142053J	CHECK VALVE (M1, M2)	79 6018704 THERMISTOR (AIR) (M1, M2)
27	NA	REFRIGERANT PIPE ASSY. (M1, M2)	80 1925948 COIL/ FOUR WAY VALVE (M1, M2)
28	6023719	LOW PRESSURE SENSOR (M1, M2)	81 6025914 THERMISTOR ASSY. (LIQUID) (M1, M2)
29	232005J	REFRIGERANT FILTER (M1, M2)	82 6025915 WIRE HARNESS ASSY. (RELAYING) (M1, M2)
30	141151J	BODY/ SOLENOID VALVE (HOT GAS BYPASS PIPE) (M1, M2)	83 1885374 FIN THERMISTOR (M1, M2)
31	1925885	COIL/ SOLENOID VALVE (HOT GAS BYPASS PIPE) (M1, M2)	84 6016145 FAN MOTOR (M1, M2)
32	142657J	BODY/ FOUR WAY VALVE (M1, M2)	85 1939101 PRINTED CIRCUIT BOARD ASSY. (SERVICE) (M1, M2)
33	NA	PIPING FIXTURE (SVC) (M1, M2)	86 1718018 PRINTED CIRCUIT BOARD ASSY. (C/H SELECTOR) (M1, M2)
34	NA	ELECTRONIC EXP. VALVE ASSY. (M1, M2)	87 6018702 MOUNTING PLATE (TERMINAL BLOCK) (M1, M2)
35	NA	ELECTRONIC EXP. VALVE ASSY. (M1, M2)	88 6018398 MOUNTING PLATE ASSY. (M1, M2)
36	1801408	BODY/ ELECTRONIC EXP. VALVE (MAIN) (M1, M2)	89 6018399 PCB MOUNTING PLATE (SERVICE) (M1, M2)
37	NA	REFRIGERANT PIPE ASSY. (M1, M2)	90 6017478 TOP PLATE ASSY. (M1, M2)
38	6026136	PRESSURE CONTROL VALVE (M1, M2)	91 2057468 COVER (FRONT) (M1, M2)
39	NA	ELECTRONIC EXP. VALVE ASSY. (M1, M2)	92 6023667 MOUNTING PLATE/ STOP VALVE (M1, M2)
40	NA	CAPILLARY TUBE (M1, M2)	93 157132J THERMISTOR FIXING PLATE (M1, M2)
41	141151J	BODY/ SOLENOID VALVE (U/L CIRCUIT) (M1, M2)	94 042396J FITTING SPRING/ THERMISTOR (M1, M2)
42	0339955	T-JOINT (M1, M2)	95 069253J RETAINER/ THERMISTOR (M1, M2)
43	148325J	STOP VALVE (M1, M2)	96 2430412 PIPING FIXTURE (M1, M2)
44	232025J	REFRIGERANT FILTER (M1, M2)	97 6017477 FRONT PLATE (2) (M1, M2)
45	138349J	PUTTY (M1, M2)	98 1877234 TAPPING SCREW (M1, M2)
46	1925892	COIL/ SOLENOID VALVE (U/L CIRCUIT) (M1, M2)	99 162753J SCREW/ C TIGHT CUP (M1, M2)
47	6018699	GAS LIQUID SEPARATOR ASSY. (M1, M2)	100 6016147 SIDE PLATE (M1, M2)
48	119848J	FLARE NUT (M1, M2)	101 2057444 PIPING COVER REAR (M1, M2)
49	142496J	FLARE NUT (M1, M2)	102 NA HEX HEAD TAPPING SCREW (M1, M2)
50	139571J	VALVE CAP (M1, M2)	103 NA HEX HEAD TAPPING SCREW (M1, M2)
51	1864005	FAN BLADE (M1, M2)	104 131453J TRUSS HEAD TAPPING SCREW (M1, M2)
52	847003J	LOCK NUT/ FAN (M1, M2)	105 2430397 FRONT PLATE ASSY. (M1, M2)
53	6005475	AIR SUCTION GRILLE (M1, M2)	106 6018707 PARTITION PLATE (M1, M2)
54	6008385	AIR DISCHARGE GRILLE ASSY. (M1, M2)	

# RZQ[18,24]TAVJU

Ref. Part No:	No:	Description:	Ref. Part No:	No:	Description:
---------------	-----	--------------	---------------	-----	--------------

---

**Image 1:**

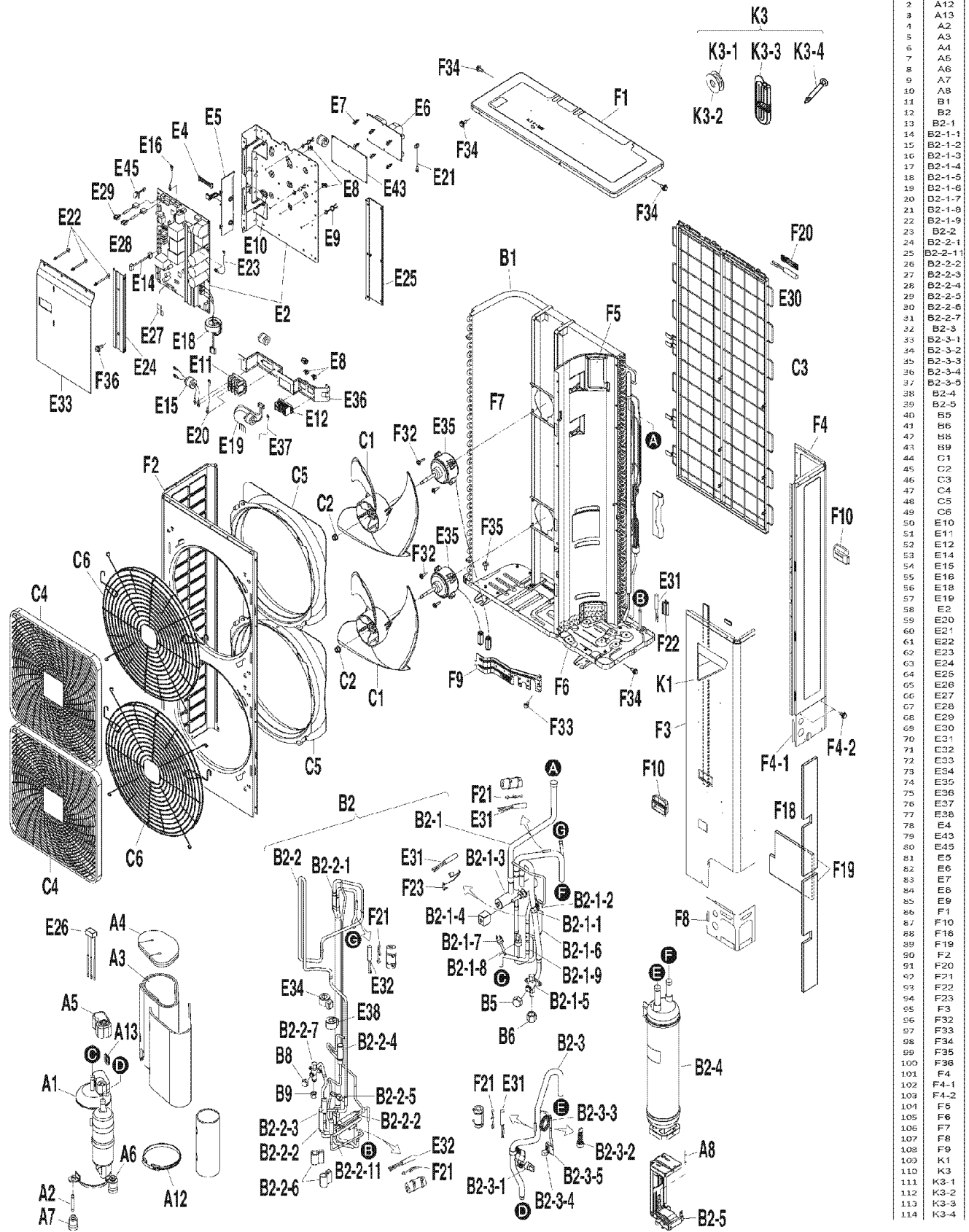
107	6025916	FAN MOTOR STAND ASSY. (M1, M2)
108	2430405	BOTTOM FRAME ASSY. (M1, M2)
109	6020399	HANDLE (M1, M2)
110	0342278	NAMEPLATE DAIKIN (M1, M2)
111	NA	ACCESSORY SET (M1, M2)
112	NA	TAPPING SCREW (M1, M2)
113	1640432	WIRE CLAMP (SHIELD EARTH) (M1, M2)
114	1997431	CONDUIT MOUNTING PLATE (M1, M2)
115	1997448	CONDUIT MOUNTING PLATE (M1, M2)
116	6025919	ELECTRIC INSULATION (M1, M2)
117	980723J	WIRE CLAMP (M1, M2)

**Expanded Model Nomenclature**

M1 - RZQ18TAVJU
M2 - RZQ24TAVJU
M3 - RZQ30TAVJU
M4 - RZQ36TAVJU
M5 - RZQ42TAVJU
M6 - RZQ48TAVJU
M7 - RZR18TAVJU
M8 - RZR24TAVJU
M9 - RZR30TAVJU
M10 - RZR36TAVJU
M11 - RZR42TAVJU
M12 - RZR48TAVJU

# RZQ[30,36,42,48]TAVJU

## RZQ30TAVJU / RZQ36TAVJU / RZQ42TAVJU / RZQ48TAVJU



Picture Key	
Ref #	Picture #
1	A1
2	A12
3	A13
4	A2
5	A3
6	A4
7	A5
8	A6
9	A7
10	A8
11	B1
12	B2
13	B2-1
14	B2-1-1
15	B2-1-2
16	B2-1-3
17	B2-1-4
18	B2-1-5
19	B2-1-6
20	D2-1-7
21	B2-1-8
22	B2-1-9
23	B2-2
24	B2-2-1
25	B2-2-1-1
26	B2-2-2
27	B2-2-3
28	B2-2-4
29	B2-2-5
30	B2-2-6
31	B2-2-7
32	B2-3
33	B2-3-1
34	B2-3-2
35	B2-3-3
36	B2-3-4
37	B2-3-5
38	B2-4
39	B2-5
40	B5
41	B6
42	B8
43	B9
44	C1
45	C2
46	C3
47	C4
48	C5
49	C6
50	E10
51	E11
52	E12
53	E14
54	E15
55	E16
56	E18
57	E19
58	E2
59	E20
60	E21
61	E22
62	E23
63	E24
64	E25
65	E26
66	E27
67	E28
68	E29
69	E30
70	E31
71	E32
72	E33
73	E34
74	E35
75	E36
76	E37
77	E38
78	E4
79	E43
80	E45
81	E9
82	E6
83	E7
84	E8
85	E9
86	F1
87	F10
88	F18
89	F19
90	F2
91	F20
92	F21
93	F22
94	F23
95	F3
96	F32
97	F33
98	F34
99	F35
100	F36
101	F4
102	F4-1
103	F4-2
104	F5
105	F6
106	F7
107	F8
108	F9
109	K1
110	K3
111	K3-1
112	K3-2
113	K3-3
114	K3-4

# RZQ[30,36,42,48]T AVJU

Ref. Part No:	No:	Description:	Ref. Part No:	No:	Description:
<i>Image 1:</i>			<i>Image 1:</i>		
1	6025930	SWING COMPRESSOR (M3, M4, M5, M6)	49	6025931	AIR OUTLET PROTECTION NET (M3, M4, M5, M6)
2	6024201	CRANK CASE HEATER (M3, M4, M5, M6)	50	027843J	WIRE CLIP (M3, M4, M5, M6)
3	040139J	RUBBER BUSH/ LEAD WIRE (M3, M4, M5, M6)	51	4005919	TERMINAL BLOCK (POWER SUPPLY) (M3, M4, M5, M6)
4	2119809	SET BOLT/ COMPRESSOR (M3, M4, M5, M6)			
5	6019566	SOUND INSULATION (M3, M4, M5, M6)	52	6019577	TERMINAL BLOCK (CONTROL) (M3, M4, M5, M6)
6	6019567	SOUND INSULATOR/ COMPRESSOR (M3, M4, M5, M6)	53	6024262	WIRE HARNESS ASSY. (M3, M4, M5, M6)
			54	6024263	WIRE HARNESS ASSY. (M3, M4, M5, M6)
7	2430366	TERMINAL COVER (M3, M4, M5, M6)	55	6024264	WIRE HARNESS ASSY. (M3, M4, M5, M6)
8	135859J	FLANGE NUT (M3, M4, M5, M6)	56	6025935	WIRE HARNESS ASSY. (M3, M4, M5, M6)
9	2115782	VIBRATION ISOLATOR (M3, M4, M5, M6)	57	6024273	WIRE HARNESS ASSY. (M3, M4, M5, M6)
10	076850J	SET BOLT/ COMPRESSOR (M3, M4, M5, M6)	58	2430436	EL. COMPONENTS BOX COVER (PCB ASSY. MAIN) (M3)
11	2430429	PLATE FINNED COIL HEAT EXCHANGER ASSY. (M3, M4, M5, M6)	58	2430443	EL. COMPONENTS BOX COVER (PCB ASSY. MAIN) (M4)
12	NA	ACCUMULATOR ASSY. (M3, M4, M5, M6)			
13	NA	FOUR WAY VALVE ASSY. (M3, M4, M5, M6)	58	2430450	EL. COMPONENTS BOX COVER (PCB ASSY. MAIN) (M5)
14	151454J	BODY/ SERVICING PORT (M3, M4, M5, M6)			
15	6025438	MOUNTING PLATE (M3, M4, M5, M6)	58	2430467	EL. COMPONENTS BOX COVER (PCB ASSY. MAIN) (M6)
16	1946976	BODY/ FOUR WAY VALVE (M3, M4, M5, M6)			
17	4005910	COIL/ FOUR WAY VALVE (M3, M4, M5, M6)	59	6024607	WIRE HARNESS ASSY. (M3, M4, M5, M6)
18	161710J	STOP VALVE (GAS LINE) (M3, M4, M5, M6)	60	6024608	EARTH WIRE (M3, M4, M5, M6)
19	6025016	MUFFLER (M3, M4, M5, M6)	61	6024609	PLASTIC BAND (M3, M4, M5, M6)
20	151107J	HIGH PRESSURE SWITCH (M3, M4, M5, M6)	62	6024267	WIRE HARNESS ASSY. (M3, M4, M5, M6)
21	6023718	HIGH PRESSURE SENSOR (M3, M4, M5, M6)	63	6024610	COVER/ JACKET (M3, M4, M5, M6)
22	107638J	CHECK VALVE (M3, M4, M5, M6)	64	6024611	MOUNTING PLATE (M3, M4, M5, M6)
23	NA	ELECTRONIC EXP. VALVE ASSY. (M3, M4, M5, M6)	65	6025926	WIRE HARNESS ASSY. (COMP.) (M3, M4, M5, M6)
24	1722101	DOUBLE TUBE HEAT EXCH. ASSY. (M3, M4, M5, M6)	66	6024276	WIRE HARNESS ASSY. (HPS) (M3, M4, M5, M6)
			67	6024269	LEAD WIRE (M3, M4, M5, M6)
25	142054J	BODY/ ELECTRONIC EXP. VALVE (SUB COOL) (M3, M4, M5, M6)	68	6024268	LEAD WIRE (M3, M4, M5, M6)
			69	1718032	THERMISTOR (AIR) (M3, M4, M5, M6)
26	065026J	REFRIGERANT FILTER (M3, M4, M5, M6)	70	6024275	THERMISTOR (M3, M4, M5, M6)
27	167946J	BODY/ ELECTRONIC EXP. VALVE (MAIN) (M3, M4, M5, M6)	71	6024274	THERMISTOR (M3, M4, M5, M6)
			72	6025927	INSULATION SHEET (M3, M4, M5, M6)
28	6026136	PRESSURE CONTROL VALVE (M3, M4, M5, M6)	73	6027094	COIL/ ELECTRONIC EXP. VALVE (MAIN) (M3, M4, M5, M6)
29	1721122	FUSIBLE PLUG (M3, M4, M5, M6)			
30	1721292	SOUNDPROOF PUTTY (M3, M4, M5, M6)	74	2024336	DC FAN MOTOR (M3, M4, M5, M6)
31	148325J	STOP VALVE (M3, M4, M5, M6)	75	6024619	TERMINAL STRIP FIXTURE (M3, M4, M5, M6)
32	NA	SUCTION PIPE ASSY. (M3, M4, M5, M6)	76	6024613	WIRE HARNESS (M3, M4, M5, M6)
33	6023719	LOW PRESSURE SENSOR (M3, M4, M5, M6)	77	2430474	COIL/ ELECTRIC EXP. VALVE (SUB COOL) (M3, M4, M5, M6)
34	111167J	STRAINER (M3, M4, M5, M6)			
35	NA	REFRIGERANT PIPE (CAPILLARY TUBE) (M3, M4, M5, M6)	78	6025364	WIRE HARNESS ASSY. (M3, M4, M5, M6)
			79	6025928	INSULATION SHEET (M3, M4, M5, M6)
36	151454J	BODY/ SERVICING PORT (M3, M4, M5, M6)	80	064060J	CAPACITY SETTING ADAPTOR (M3, M4, M5, M6)
37	6025438	MOUNTING PLATE (M3, M4, M5, M6)	81	6024606	PCB MOUNTING PLATE (M3, M4, M5, M6)
38	6000707	GAS LIQUID SEPARATOR ASSY. (M3, M4, M5, M6)	82	6025924	PRINTED CIRCUIT ASSY. (M3, M4, M5, M6)
39	6003084	MOUNTING PLATE/ ACCUMULATOR (M3, M4, M5, M6)	83	380401J	LOCKING CARD SPACER (M3, M4, M5, M6)
			84	1855171	PLASTIC BAND (M3, M4, M5, M6)
40	139571J	VALVE CAP (M3, M4, M5, M6)	85	101207J	CLAMP/ POWER CORD (M3, M4, M5, M6)
41	142496J	FLARE NUT (M3, M4, M5, M6)	86	149969J	TOP PLATE ASSY. (M3, M4, M5, M6)
42	045432J	STOP VALVE CAP (M3, M4, M5, M6)	87	6020399	HANDLE (M3, M4, M5, M6)
43	119848J	FLARE NUT (M3, M4, M5, M6)	88	1625178	SOUND ABSORPTION (FRONT PLATE 2) (M3, M4, M5, M6)
44	1701546	FAN BLADE (M3, M4, M5, M6)			
45	847003J	LOCK NUT/ FAN (M3, M4, M5, M6)	89	1625217	SOUND ABSORPTION (FRONT PLATE 2) (M3, M4, M5, M6)
46	6020396	AIR SUCTION GRILLE (M3, M4, M5, M6)			
47	1381896	AIR DISCHARGE GRILLE (M3, M4, M5, M6)	90	2430481	FRONT PLATE ASSY. (M3, M4, M5, M6)
48	1556210	BELL MOUTH (M3, M4, M5, M6)	91	157132J	THERMISTOR FIXING PLATE (M3, M4, M5, M6)



# RZQ[30,36,42,48]TAVJU

Ref. Part No:	Part No:	Description:	Ref. Part No:	Part No:	Description:
---------------	----------	--------------	---------------	----------	--------------

**Image 1:**

92	042396J	FITTING SPRING/ THERMISTOR (M3, M4, M5, M6)
93	6025446	FIXTURE/ THERMISTOR (M3, M4, M5, M6)
94	069253J	RETAINER/ THERMISTOR (M3, M4, M5, M6)
95	6026806	FRONT PLATE (2) (M3, M4, M5, M6)
96	140380J	WASHER FACED HEAD TAPPING SCREW (M3, M4, M5, M6)
97	162753J	SCREW/ C TIGHT CUP (M3, M4, M5, M6)
98	NA	HEX HEAD TAPPING SCREW (M3, M4, M5, M6)
99	131453J	TRUSS HEAD TAPPING SCREW (M3, M4, M5, M6)
100	4016867	HEX BOLT (M3, M4, M5, M6)
101	6020397	SIDE PLATE (RIGHT) ASSY. (M3, M4, M5, M6)
102	2057444	PIPING COVER REAR (M3, M4, M5, M6)
103	NA	HEX HEAD TAPPING SCREW (M3, M4, M5, M6)
104	6024281	PARTITION PLATE (M3, M4, M5, M6)
105	2430498	BOTTOM FRAME ASSY. (M3, M4, M5, M6)
106	2430506	FAN MOTOR STAND ASSY. (M3, M4, M5, M6)
107	2057468	COVER (FRONT) (M3, M4, M5, M6)
108	6024284	SET PLATE/ STOP VALVE (M3, M4, M5, M6)
109	0342278	NAMEPLATE DAIKIN (M3, M4, M5, M6)
110	NA	ACCESSORY SET (M3, M4, M5, M6)
111	1997431	CONDUIT MOUNTING PLATE (M3, M4, M5, M6)
112	1997448	CONDUIT MOUNTING PLATE (M3, M4, M5, M6)
113	6025919	ELECTRIC INSULATION (M3, M4, M5, M6)
114	980723J	WIRE CLAMP (M3, M4, M5, M6)

**Expanded Model Nomenclature**

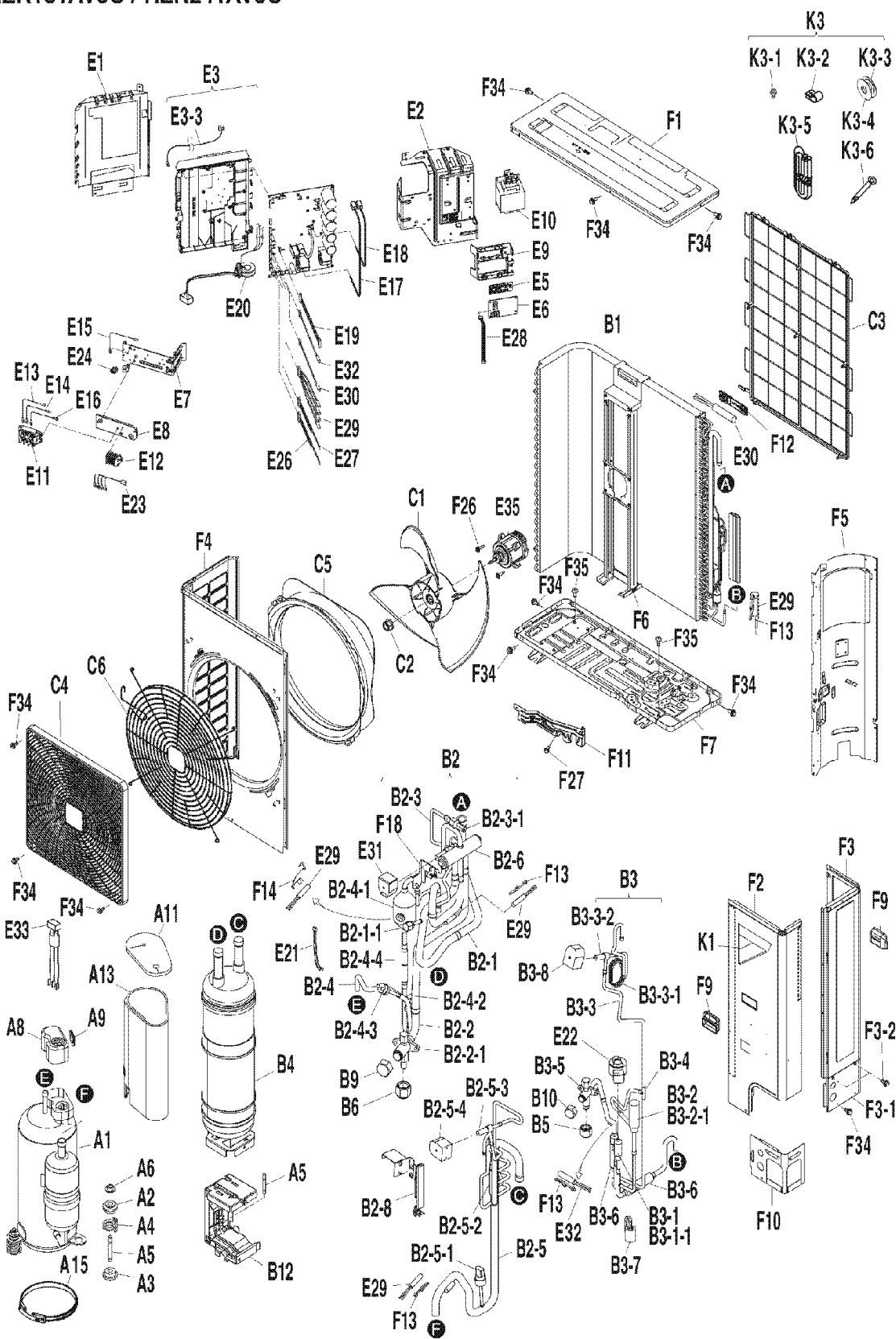
- |                  |
|------------------|
| M1 - RZQ18TAVJU  |
| M2 - RZQ24TAVJU  |
| M3 - RZQ30TAVJU  |
| M4 - RZQ36TAVJU  |
| M5 - RZQ42TAVJU  |
| M6 - RZQ48TAVJU  |
| M7 - RZR18TAVJU  |
| M8 - RZR24TAVJU  |
| M9 - RZR30TAVJU  |
| M10 - RZR36TAVJU |
| M11 - RZR42TAVJU |
| M12 - RZR48TAVJU |

# RZR[18,24]TAVJU

## RZR18TAVJU / RZR24TAVJU

### Picture Key

Ref #	Picture #
1	A1
2	A13
3	A15
4	A2
5	A3
6	A4
7	A5
8	A6
9	A8
10	A9
11	B1
12	B10
13	B12
14	B2
15	B2-1
16	B2-1-1
17	B2-2
18	B2-2-1
19	B2-3
20	B2-3-1
21	B2-4
22	B2-4-1
23	B2-4-2
24	B2-4-3
25	B2-4-4
26	B2-5
27	B2-5-1
28	B2-5-2
29	B2-5-3
30	B2-5-4
31	B2-6
32	B2-8
33	B3
34	B3-1
35	B3-1-1
36	B3-2
37	B3-2-1
38	B3-3
39	B3-3-1
40	B3-3-2
41	B3-4
42	B3-5
43	B3-6
44	B3-7
45	B3-8
46	B4
47	B6
48	B6
49	B9
50	C1
51	C2
52	C3
53	C4
54	C5
55	C6
56	E1
57	E10
58	E11
59	E12
60	E13
61	E14
62	E16
63	E18
64	E17
65	E18
66	E19
67	F2
68	F20
69	E21
70	F22
71	E23
72	E24
73	E26
74	E27
75	E28
76	E29
77	E3
78	E30
79	E31
80	E32
81	E33
82	E3-3
83	E35
84	E5
85	E6
86	E7
87	E8
88	E9
89	F1
90	F10
91	F11
92	F12
93	F13
94	F14
95	F18
96	F2
97	F26
98	F27
99	F3
100	F3-1
101	F3-2
102	F34
103	F35
104	F4
105	F5
106	F6
107	F7
108	F9
109	K1
110	K3
111	K3-1
112	K3-2
113	K3-3
114	K3-4
115	K3-5
116	K3-6



# RZR[18,24]TAVJU

Ref. Part No:	Ref. Part No:	Description:	Description:	
<b>Image 1:</b>		<b>Image 1:</b>		
1	6025911	SWING COMPRESSOR (M7, M8)	55 6025912	AIR OUTLET PROTECTION NET (M7, M8)
2	6005458	SOUND INSULATION (INNER) (M7, M8)	56 6018393	ELECTRIC COMPONENTS MOUNTING PLATE (M7, M8)
3	6024201	CRANK CASE HEATER (M7, M8)	57 131407J	REACTOR (M7, M8)
4	096039J	SPRING HOLDER (1) (M7, M8)	58 1617139	TERMINAL BLOCK (POWER SUPPLY) (M7, M8)
5	390215J	SPRING HOLDER (2) (M7, M8)	59 6018703	TERMINAL SEAT (CONTROL) (M7, M8)
6	390208J	MOUNTING SPRING (M7, M8)	60 1939149	WIRE HARNESS ASSY. (M7, M8)
7	076850J	SET BOLT/ COMPRESSOR (M7, M8)	61 1939156	WIRE HARNESS ASSY. (M7, M8)
8	135859J	FLANGE NUT (M7, M8)	62 1939163	WIRE HARNESS ASSY. (M7, M8)
9	2430366	TERMINAL COVER (M7, M8)	63 1939170	WIRE HARNESS ASSY. (M7, M8)
10	040139J	RUBBER BUSH/ LEAD WIRE (M7, M8)	64 1878624	WIRE HARNESS ASSY. (M7, M8)
11	6021439	CROSS-FIN CONDENSER ASSY. (M7, M8)	65 1878631	WIRE HARNESS ASSY. (M7, M8)
12	045432J	STOP VALVE CAP (M7, M8)	66 1878299	WIRE HARNESS ASSY. (M7, M8)
13	4008212	MOUNTING PLATE (M7, M8)	67 6018700	EL. COMPO. MOUNTING PLATE (COVER) (M7, M8)
14	NA	FOUR WAY VALVE ASSY. (M7, M8)	68 6018402	WIRE HARNESS ASSY. (COMPRESSOR) (M7, M8)
15	NA	REFRIGERANT PIPE ASSY. (M7, M8)	69 6018403	WIRE HARNESS ASSY. (M7, M8)
16	143265J	SERVICING PORT ASSY. (M7, M8)	70 6018705	COIL/ ELECTRIC EXP. VALVE (MAIN) (M7, M8)
17	NA	REFRIGERANT PIPE ASSY. (M7, M8)	71 1939194	WIRE HARNESS (M7, M8)
18	161710J	STOP VALVE (GAS LINE) (M7, M8)	72 027843J	WIRE CLIP (M7, M8)
19	NA	SUCTION PIPE ASSY. (M7, M8)	73 2105437	LEAD WIRE (HIGH PRESSURE SENSOR) (M7, M8)
20	1721122	FUSIBLE PLUG (M7, M8)	74 6018404	LEAD WIRE (LOW PRESSURE SENSOR) (M7, M8)
21	NA	DISCHARGE PIPE ASSY. (M7, M8)	75 1721379	WIRE HARNESS ASSY. (C/H SELECTOR) (M7, M8)
22	0739098	MUFFLER (M7, M8)	76 6018706	THERMISTOR ASSY. (M7, M8)
23	6023718	HIGH PRESSURE SENSOR (M7, M8)	77 2430513	PRINTED CIRCUIT BOARD ASSY. (MAIN) (M7)
24	151107J	HIGH PRESSURE SWITCH (M7, M8)	77 2430520	PRINTED CIRCUIT BOARD ASSY. (MAIN) (M8)
25	142053J	CHECK VALVE (M7, M8)	78 6018704	THERMISTOR (AIR) (M7, M8)
26	NA	REFRIGERANT PIPE ASSY. (M7, M8)	79 1925948	COIL/ FOUR WAY VALVE (M7, M8)
27	6023719	LOW PRESSURE SENSOR (M7, M8)	80 6025914	THERMISTOR ASSY. (LIQUID) (M7, M8)
28	232005J	REFRIGERANT FILTER (M7, M8)	81 6025915	WIRE HARNESS ASSY. (RELAYING) (M7, M8)
29	141151J	BODY/ SOLENOID VALVE (HOT GAS BYPASS PIPE) (M7, M8)	82 1885374	FIN THERMISTOR (M7, M8)
30	1925885	COIL/ SOLENOID VALVE (HOT GAS BYPASS PIPE) (M7, M8)	83 6016145	FAN MOTOR (M7, M8)
31	142657J	BODY/ FOUR WAY VALVE (M7, M8)	84 1939101	PRINTED CIRCUIT BOARD ASSY. (SERVICE) (M7, M8)
32	NA	PIPING FIXTURE (SVC) (M7, M8)	85 1718018	PRINTED CIRCUIT BOARD ASSY. (C/H SELECTOR) (M7, M8)
33	NA	ELECTRONIC EXP. VALVE ASSY. (M7, M8)	86 6018702	MOUNTING PLATE (TERMINAL BLOCK) (M7, M8)
34	NA	ELECTRONIC EXP. VALVE ASSY. (M7, M8)	87 6018398	MOUNTING PLATE ASSY. (M7, M8)
35	1801408	BODY/ ELECTRONIC EXP. VALVE (MAIN) (M7, M8)	88 6018399	PCB MOUNTING PLATE (SERVICE) (M7, M8)
36	NA	REFRIGERANT PIPE ASSY. (M7, M8)	89 6017478	TOP PLATE ASSY. (M7, M8)
37	6026136	PRESSURE CONTROL VALVE (M7, M8)	90 2057468	COVER (FRONT) (M7, M8)
38	NA	ELECTRONIC EXP. VALVE ASSY. (M7, M8)	91 6023667	MOUNTING PLATE/ STOP VALVE (M7, M8)
39	NA	CAPILLARY TUBE (M7, M8)	92 157132J	THERMISTOR FIXING PLATE (M7, M8)
40	141151J	BODY/ SOLENOID VALVE (U/L CIRCUIT) (M7, M8)	93 042396J	FITTING SPRING/ THERMISTOR (M7, M8)
41	0339955	T-JOINT (M7, M8)	94 069253J	RETAINER/ THERMISTOR (M7, M8)
42	148325J	STOP VALVE (M7, M8)	95 2430412	PIPING FIXTURE (M7, M8)
43	232025J	REFRIGERANT FILTER (M7, M8)	96 6017477	FRONT PLATE (2) (M7, M8)
44	138349J	PUTTY (M7, M8)	97 1877234	TAPPING SCREW (M7, M8)
45	1925892	COIL/ SOLENOID VALVE (U/L CIRCUIT) (M7, M8)	98 162753J	SCREW/ C TIGHT CUP (M7, M8)
46	6018699	GAS LIQUID SEPARATOR ASSY. (M7, M8)	99 6016147	SIDE PLATE (M7, M8)
47	119848J	FLARE NUT (M7, M8)	100 2057444	PIPING COVER REAR (M7, M8)
48	142496J	FLARE NUT (M7, M8)	101 NA	HEX HEAD TAPPING SCREW (M7, M8)
49	139571J	VALVE CAP (M7, M8)	102 NA	HEX HEAD TAPPING SCREW (M7, M8)
50	1864005	FAN BLADE (M7, M8)	103 131453J	TRUSS HEAD TAPPING SCREW (M7, M8)
51	847003J	LOCK NUT/ FAN (M7, M8)	104 2430397	FRONT PLATE ASSY. (M7, M8)
52	6005475	AIR SUCTION GRILLE (M7, M8)	105 6018707	PARTITION PLATE (M7, M8)
53	6008385	AIR DISCHARGE GRILLE ASSY. (M7, M8)	106 6025916	FAN MOTOR STAND ASSY. (M7, M8)
54	6023720	BELL MOUTH (M7, M8)		

# RZR[18,24]TAVJU

Ref. Part No:	No:	Description:	Ref. Part No:	No:	Description:
---------------	-----	--------------	---------------	-----	--------------

---

**Image 1:**

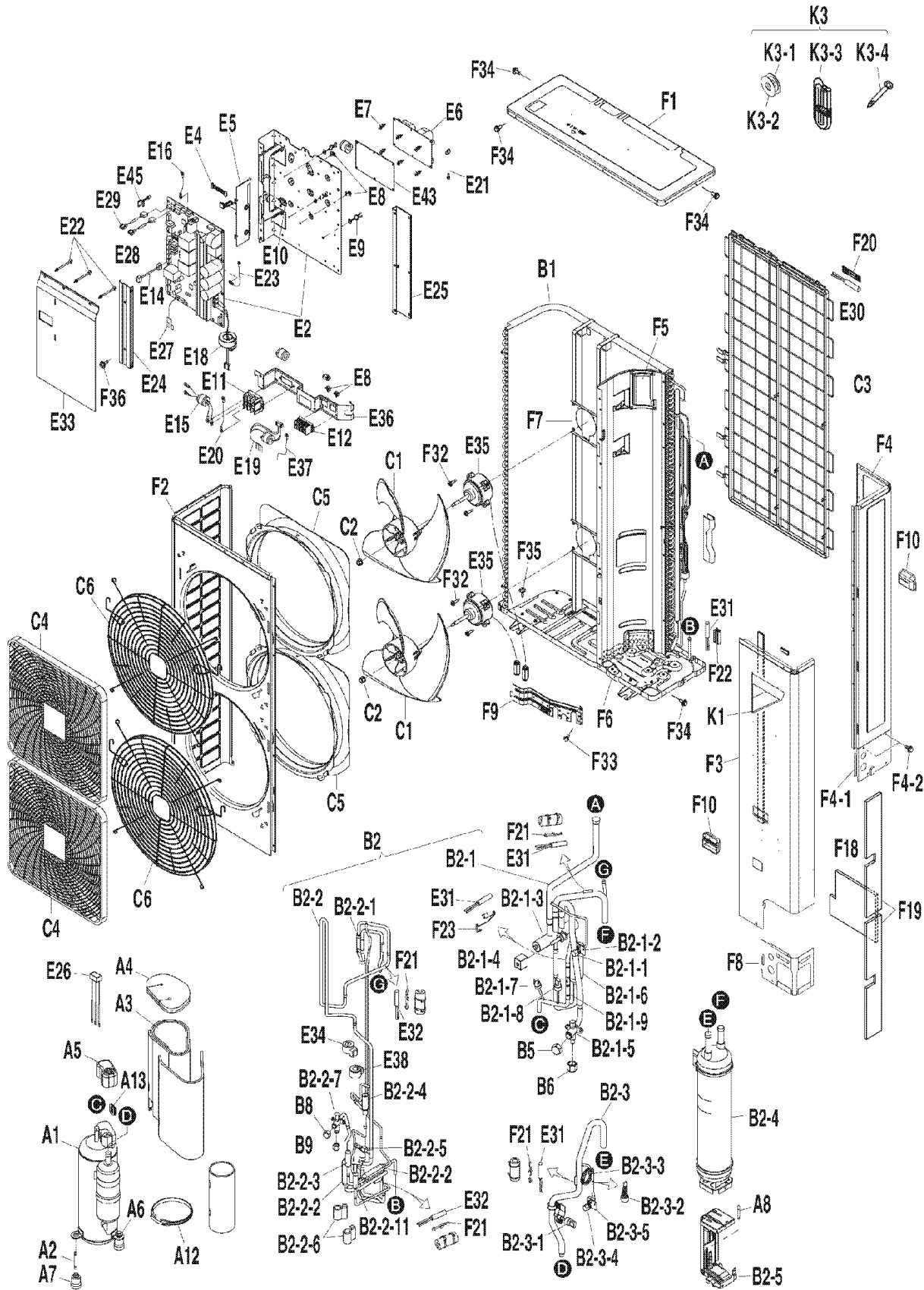
107	2430405	BOTTOM FRAME ASSY. (M7, M8)
108	6020399	HANDLE (M7, M8)
109	0342278	NAMEPLATE DAIKIN (M7, M8)
110	NA	ACCESSORY SET (M7, M8)
111	NA	TAPPING SCREW (M7, M8)
112	1640432	WIRE CLAMP (SHIELD EARTH) (M7, M8)
113	1997431	CONDUIT MOUNTING PLATE (M7, M8)
114	1997448	CONDUIT MOUNTING PLATE (M7, M8)
115	6025919	ELECTRIC INSULATION (M7, M8)
116	980723J	WIRE CLAMP (M7, M8)

**Expanded Model Nomenclature**

M1 - RZQ18TAVJU
M2 - RZQ24TAVJU
M3 - RZQ30TAVJU
M4 - RZQ36TAVJU
M5 - RZQ42TAVJU
M6 - RZQ48TAVJU
M7 - RZR18TAVJU
M8 - RZR24TAVJU
M9 - RZR30TAVJU
M10 - RZR36TAVJU
M11 - RZR42TAVJU
M12 - RZR48TAVJU

# RZR[30,36,42,48]TAVJU

RZR30TAVJU / RZR36TAVJU / RZR42TAVJU / RZR48TAVJU



Ref#	Picture #
1	A1
2	A12
3	A13
4	A2
5	A3
6	A4
7	A5
8	A6
9	A7
10	A8
11	B1
12	B2
13	B2-1
14	B2-1-1
15	B2-1-2
16	B2-1-3
17	B2-1-4
18	B2-1-5
19	B2-1-6
20	B2-1-7
21	B2-1-8
22	B2-1-9
23	B2-2
24	B2-2-1
25	B2-2-2
26	B2-2-3
27	B2-2-4
28	B2-2-5
29	B2-2-6
30	B2-2-7
31	B2-2-8
32	B2-2-9
33	B2-3
34	B2-3-1
35	B2-3-2
36	B2-3-3
37	B2-3-4
38	B2-3-5
39	B2-4
40	B2-5
41	B5
42	B6
43	B8
44	B9
45	C1
46	C2
47	C3
48	C4
49	C5
50	C6
51	E10
52	E11
53	E12
54	E13
55	E14
56	E15
57	E16
58	E17
59	E18
60	E19
61	E20
62	E21
63	E22
64	E23
65	E24
66	E25
67	E26
68	E27
69	E28
70	E29
71	E30
72	E31
73	E32
74	E33
75	E34
76	E35
77	E36
78	E37
79	E38
80	E39
81	E40
82	E41
83	E42
84	E43
85	E44
86	E45
87	F10
88	F18
89	F19
90	F20
91	F21
92	F22
93	F23
94	F24
95	F25
96	F26
97	F27
98	F28
99	F29
100	F30
101	F31
102	F32
103	F33
104	F34
105	F35
106	F36
107	F37
108	F38
109	F39
110	F40
111	K3-1
112	K3-2
113	K3-3
114	K3-4

# RZR[30,36,42,48]TAVJU

Ref. Part No: No:	Description:	Ref. Part No: No:	Description:
<i>Image 1:</i>		<i>Image 1:</i>	
1	6025930 SWING COMPRESSOR (M9, M10, M11, M12)	47	1381896 AIR DISCHARGE GRILLE (M9, M10, M11, M12)
2	6024201 CRANK CASE HEATER (M9, M10, M11, M12)	48	1556210 BELL MOUTH (M9, M10, M11, M12)
3	040139J RUBBER BUSH/ LEAD WIRE (M9, M10, M11, M12)	49	6025931 AIR OUTLET PROTECTION NET (M9, M10, M11, M12)
4	2119809 SET BOLT/ COMPRESSOR (M9, M10, M11, M12)	50	027843J WIRE CLIP (M9, M10, M11, M12)
5	6019566 SOUND INSULATION (M9, M10, M11, M12)	51	4005919 TERMINAL BLOCK (POWER SUPPLY) (M9, M10, M11, M12)
6	6019567 SOUND INSULATOR/ COMPRESSOR (M9, M10, M11, M12)	52	6019577 TERMINAL BLOCK (CONTROL) (M9, M10, M11, M12)
7	2430366 TERMINAL COVER (M9, M10, M11, M12)	53	6024262 WIRE HARNESS ASSY. (M9, M10, M11, M12)
8	135859J FLANGE NUT (M9, M10, M11, M12)	54	6024263 WIRE HARNESS ASSY. (M9, M10, M11, M12)
9	2115782 VIBRATION ISOLATOR (M9, M10, M11, M12)	55	6024264 WIRE HARNESS ASSY. (M9, M10, M11, M12)
10	076850J SET BOLT/ COMPRESSOR (M9, M10, M11, M12)	56	6025935 WIRE HARNESS ASSY. (M9, M10, M11, M12)
11	2430429 PLATE FINNED COIL HEAT EXCHANGER ASSY. (M9, M10, M11, M12)	57	6024273 WIRE HARNESS ASSY. (M9, M10, M11, M12)
12	NA ACCUMULATOR ASSY. (M9, M10, M11, M12)	58	2430537 EL. COMPONENTS BOX COVER (PCB ASSY. MAIN) (M9)
13	NA FOUR WAY VALVE ASSY. (M9, M10, M11, M12)	58	2430544 EL. COMPONENTS BOX COVER (PCB ASSY. MAIN) (M10)
14	151454J BODY/ SERVICING PORT (M9, M10, M11, M12)	58	2430551 EL. COMPONENTS BOX COVER (PCB ASSY. MAIN) (M11)
15	6025438 MOUNTING PLATE (M9, M10, M11, M12)	58	2430568 EL. COMPONENTS BOX COVER (PCB ASSY. MAIN) (M12)
16	1946976 BODY/ FOUR WAY VALVE (M9, M10, M11, M12)	59	6024607 WIRE HARNESS ASSY. (M9, M10, M11, M12)
17	4005910 COIL/ FOUR WAY VALVE (M9, M10, M11, M12)	60	6024608 EARTH WIRE (M9, M10, M11, M12)
18	161710J STOP VALVE (GAS LINE) (M9, M10, M11, M12)	61	6024609 PLASTIC BAND (M9, M10, M11, M12)
19	6025016 MUFFLER (M9, M10, M11, M12)	62	6024267 WIRE HARNESS ASSY. (M9, M10, M11, M12)
20	151107J HIGH PRESSURE SWITCH (M9, M10, M11, M12)	63	6024610 COVER/ JACKET (M9, M10, M11, M12)
21	6023718 HIGH PRESSURE SENSOR (M9, M10, M11, M12)	64	6024611 MOUNTING PLATE (M9, M10, M11, M12)
22	107638J CHECK VALVE (M9, M10, M11, M12)	65	6025926 WIRE HARNESS ASSY. (COMP.) (M9, M10, M11, M12)
23	NA ELECTRONIC EXP. VALVE ASSY. (M9, M10, M11, M12)	66	6024276 WIRE HARNESS ASSY. (HPS) (M9, M10, M11, M12)
24	1722101 DOUBLE TUBE HEAT EXCH. ASSY. (M9, M10, M11, M12)	67	6024269 LEAD WIRE (M9, M10, M11, M12)
25	142054J BODY/ ELECTRONIC EXP. VALVE (SUB COOL) (M9, M10, M11, M12)	68	6024268 LEAD WIRE (M9, M10, M11, M12)
26	065026J REFRIGERANT FILTER (M9, M10, M11, M12)	69	1718032 THERMISTOR (AIR) (M9, M10, M11, M12)
27	167946J BODY/ ELECTRONIC EXP. VALVE (MAIN) (M9, M10, M11, M12)	70	6024275 THERMISTOR (M9, M10, M11, M12)
28	6026136 PRESSURE CONTROL VALVE (M9, M10, M11, M12)	71	6024274 THERMISTOR (M9, M10, M11, M12)
29	1721122 FUSIBLE PLUG (M9, M10, M11, M12)	72	6025927 INSULATION SHEET (M9, M10, M11, M12)
30	1721292 SOUNDPROOF PUTTY (M9, M10, M11, M12)	73	6027094 COIL/ ELECTRONIC EXP. VALVE (MAIN) (M9, M10, M11, M12)
31	148325J STOP VALVE (M9, M10, M11, M12)	74	2024336 DC FAN MOTOR (M9, M10, M11, M12)
32	NA SUCTION PIPE ASSY. (M9, M10, M11, M12)	75	6024619 TERMINAL STRIP FIXTURE (M9, M10, M11, M12)
33	6023719 LOW PRESSURE SENSOR (M9, M10, M11, M12)	76	6024613 WIRE HARNESS (M9, M10, M11, M12)
34	111167J STRAINER (M9, M10, M11, M12)	77	2430474 COIL/ ELECTRIC EXP. VALVE (SUB COOL) (M9, M10, M11, M12)
35	NA REFRIGERANT PIPE (CAPILLARY TUBE) (M9, M10, M11, M12)	78	6025364 WIRE HARNESS ASSY. (M9, M10, M11, M12)
36	151454J BODY/ SERVICING PORT (M9, M10, M11, M12)	79	6025928 INSULATION SHEET (M9, M10, M11, M12)
37	6025438 MOUNTING PLATE (M9, M10, M11, M12)	80	064060J CAPACITY SETTING ADAPTOR (M9, M10, M11, M12)
38	6000707 GAS LIQUID SEPARATOR ASSY. (M9, M10, M11, M12)	81	6024606 PCB MOUNTING PLATE (M9, M10, M11, M12)
39	6003084 MOUNTING PLATE/ ACCUMULATOR (M9, M10, M11, M12)	82	6025924 PRINTED CIRCUIT ASSY. (M9, M10, M11, M12)
40	139571J VALVE CAP (M9, M10, M11, M12)	83	380401J LOCKING CARD SPACER (M9, M10, M11, M12)
41	142496J FLARE NUT (M9, M10, M11, M12)	84	1855171 PLASTIC BAND (M9, M10, M11, M12)
42	045432J STOP VALVE CAP (M9, M10, M11, M12)	85	101207J CLAMP/ POWER CORD (M9, M10, M11, M12)
43	119848J FLARE NUT (M9, M10, M11, M12)	86	149969J TOP PLATE ASSY. (M9, M10, M11, M12)
44	1701546 FAN BLADE (M9, M10, M11, M12)		
45	847003J LOCK NUT/ FAN (M9, M10, M11, M12)		
46	6020396 AIR SUCTION GRILLE (M9, M10, M11, M12)		

# RZR[30,36,42,48]TAVJU

Ref. Part No:	Part No:	Description:	Ref. Part No:	Part No:	Description:
<b>Image 1:</b>					
87	6020399	HANDLE (M9, M10, M11, M12)			
88	1625178	SOUND ABSORPTION (FRONT PLATE 2) (M9, M10, M11, M12)			
89	1625217	SOUND ABSORPTION (FRONT PLATE 2) (M9, M10, M11, M12)			
90	2430481	FRONT PLATE ASSY. (M9, M10, M11, M12)			
91	157132J	THERMISTOR FIXING PLATE (M9, M10, M11, M12)			
92	042396J	FITTING SPRING/ THERMISTOR (M9, M10, M11, M12)			
93	6025446	FIXTURE/ THERMISTOR (M9, M10, M11, M12)			
94	069253J	RETAINER/ THERMISTOR (M9, M10, M11, M12)			
95	6026806	FRONT PLATE (2) (M9, M10, M11, M12)			
96	140380J	WASHER FACED HEAD TAPPING SCREW (M9, M10, M11, M12)			
97	162753J	SCREW/ C TIGHT CUP (M9, M10, M11, M12)			
98	NA	HEX HEAD TAPPING SCREW (M9, M10, M11, M12)			
99	131453J	TRUSS HEAD TAPPING SCREW (M9, M10, M11, M12)			
100	4016867	HEX BOLT (M9, M10, M11, M12)			
101	6020397	SIDE PLATE (RIGHT) ASSY. (M9, M10, M11, M12)			
102	2057444	PIPING COVER REAR (M9, M10, M11, M12)			
103	NA	HEX HEAD TAPPING SCREW (M9, M10, M11, M12)			
104	6024281	PARTITION PLATE (M9, M10, M11, M12)			
105	2430498	BOTTOM FRAME ASSY. (M9, M10, M11, M12)			
106	2430506	FAN MOTOR STAND ASSY. (M9, M10, M11, M12)			
107	2057468	COVER (FRONT) (M9, M10, M11, M12)			
108	6024284	SET PLATE/ STOP VALVE (M9, M10, M11, M12)			
109	0342278	NAMEPLATE DAIKIN (M9, M10, M11, M12)			
110	NA	ACCESSORY SET (M9, M10, M11, M12)			
111	1997431	CONDUIT MOUNTING PLATE (M9, M10, M11, M12)			
112	1997448	CONDUIT MOUNTING PLATE (M9, M10, M11, M12)			
113	6025919	ELECTRIC INSULATION (M9, M10, M11, M12)			
114	980723J	WIRE CLAMP (M9, M10, M11, M12)			

## Expanded Model Nomenclature

M1 - RZQ18TAVJU
M2 - RZQ24TAVJU
M3 - RZQ30TAVJU
M4 - RZQ36TAVJU
M5 - RZQ42TAVJU
M6 - RZQ48TAVJU
M7 - RZR18TAVJU
M8 - RZR24TAVJU
M9 - RZR30TAVJU
M10 - RZR36TAVJU
M11 - RZR42TAVJU
M12 - RZR48TAVJU