

---

## FCQ\*\*TAVJU Round Sensing Flow Cassette

FCQ18TAVJU  
FCQ24TAVJU  
FCQ30TAVJU  
FCQ36TAVJU  
FCQ42TAVJU  
FCQ48TAVJU



This manual is to be used by qualified technicians only.

# Important Information

---

## Index

Functional Parts List .....	3
Illustration and Parts .....	4 - 7

*Views shown are for parts illustrations only, not servicing procedures.*

### Text Codes:

AR - As Required

NA - Not Available

NS - Not Shown

00000000 - See Note

QTY - Quantity Example (QTY 3) (If Quantity not shown, Quantity = 1)

M - Model Example (M1) (If M Code not shown, then part is used on all Models)

### Expanded Model Nomenclature:

Example
M1 - Model#1
M2 - Model#2
M3 - Model#3

Daikin Manufacturing Company, L.P. is not responsible for personal injury or property damage resulting from improper service. Review all service information before beginning repairs.

Warranty service must be performed by an authorized technician, using authorized factory parts. If service is required after the warranty expires, Daikin Manufacturing Company, L.P. also recommends contacting an authorized technician and using authorized factory parts.

Daikin Manufacturing Company, L.P. reserves the right to discontinue, or change at any time, specifications or designs without notice or without incurring obligations.

For assistance within the U.S.A. contact:

Homeowner Support  
Daikin North America, LLC  
19001 Kermier Road  
Waller, Texas 77484  
855-770-5678-Telephone  
713-863-2382-Facsimile

For assistance outside the U.S.A. contact:

International Division  
Daikin North America, LLC  
19001 Kermier Road  
Waller, Texas 77484  
713-861-2500-Telephone  
713-863-2382-Facsimile

# Functional Parts

## Part

## No: Description:

---

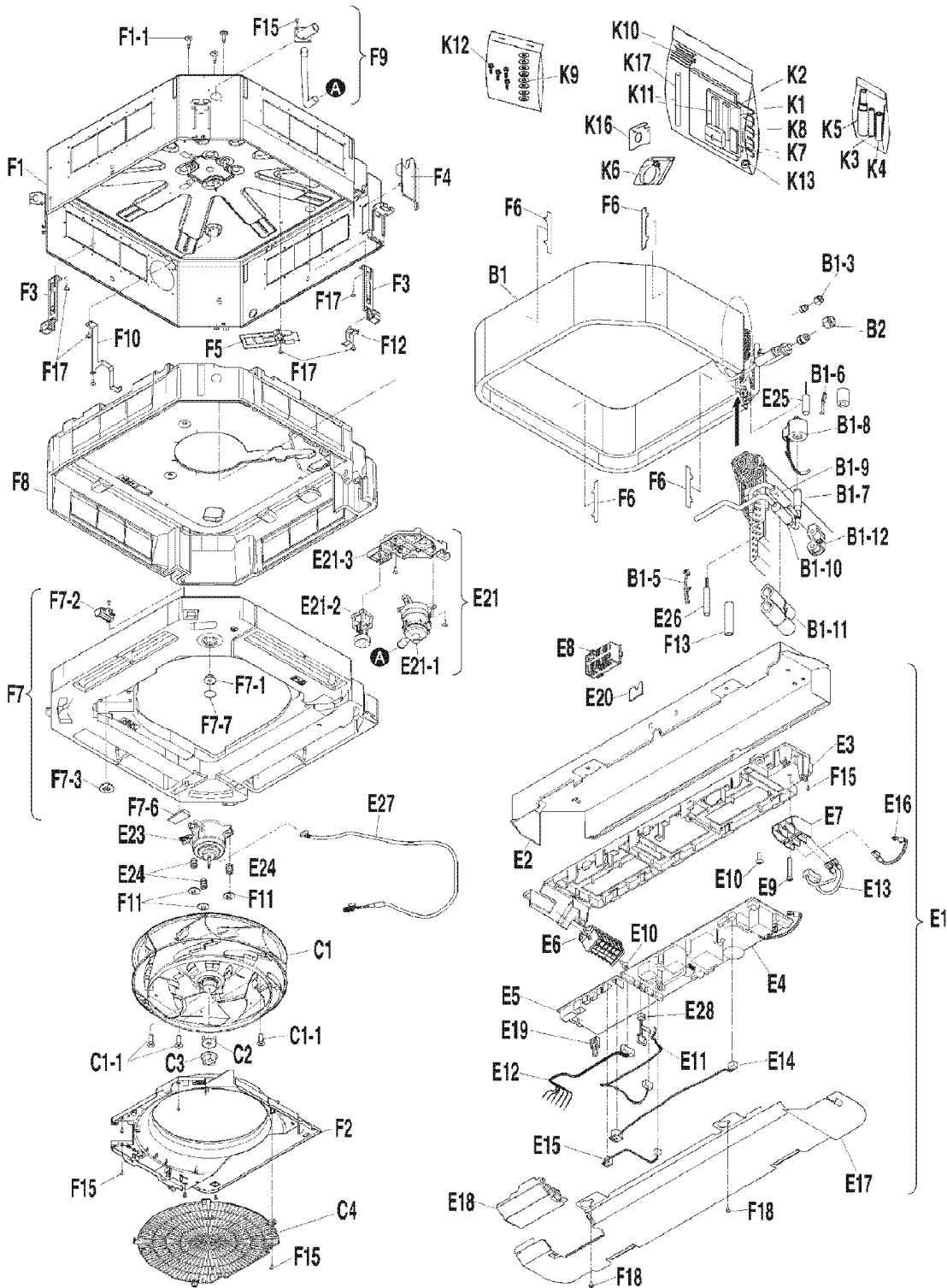
066965J	CAPACITY SETTING ADAPTOR (M3)
065338J	CAPACITY SETTING ADAPTOR (M5, M6)
065337J	CAPACITY SETTING ADAPTOR (M4)
065336J	CAPACITY SETTING ADAPTOR (M2)
064060J	CAPACITY SETTING ADAPTOR (M1)
2006011	DC FAN MOTOR (M3, M4, M5, M6)
1993105	DC FAN MOTOR (M1, M2)
2013437	DRAIN PUMP
2065438	FLOAT SWITCH
2223474	PRINTED CIRCUIT BOARD ASSY.
1992809	PRINTED CIRCUIT BOARD ASSY.
1992900	THERMISTOR (AIR)
2266471	THERMISTOR (COIL)
2257314	THERMISTOR (COIL)

### Expanded Model Nomenclature

M1 - FCQ18TAVJU
M2 - FCQ24TAVJU
M3 - FCQ30TAVJU
M4 - FCQ36TAVJU
M5 - FCQ42TAVJU
M6 - FCQ48TAVJU

# FCQ[18,24]TAVJU

## FCQ18TAVJU / FCQ24TAVJU



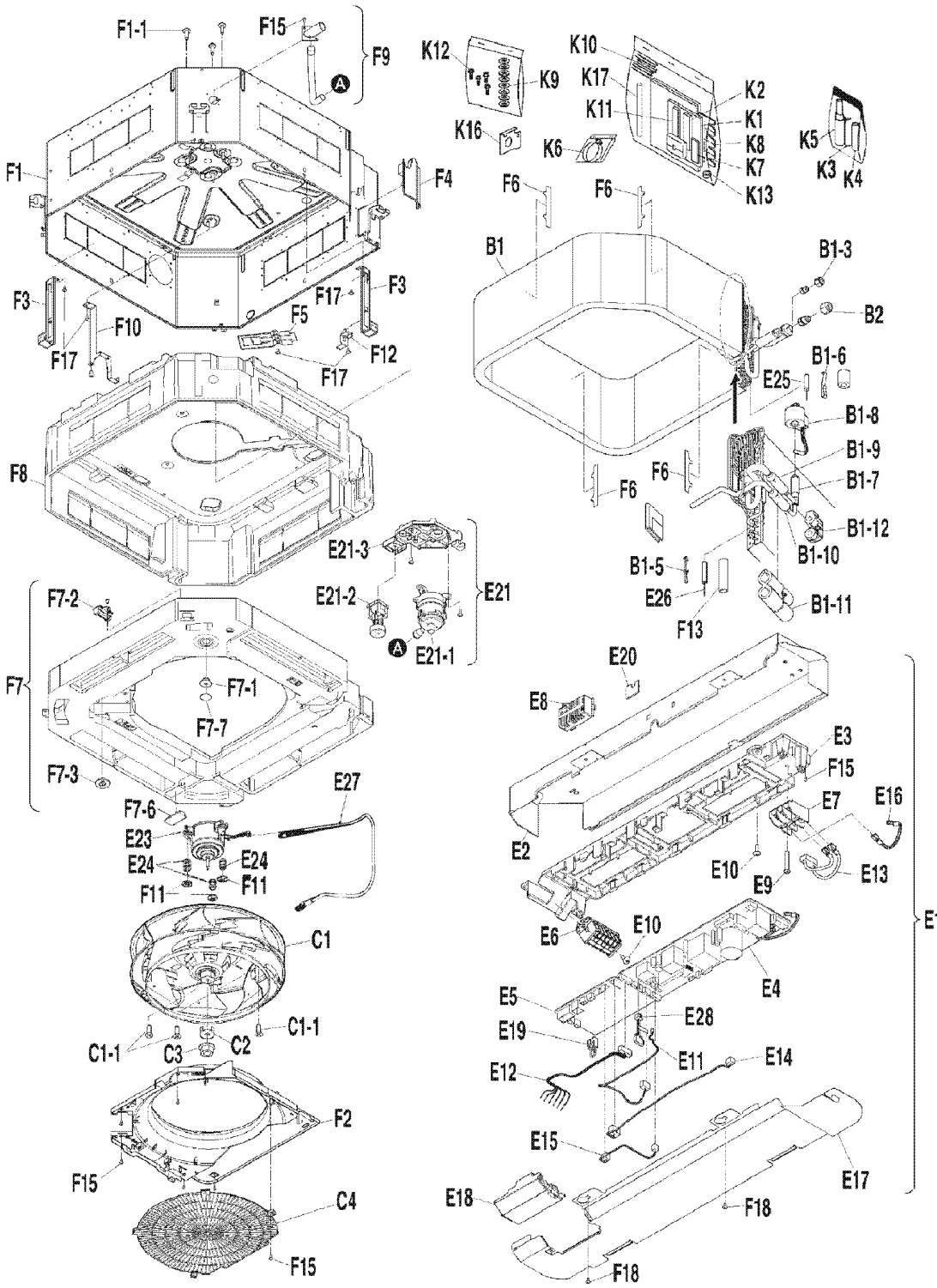
Picture Key	
Ref #	Picture #
1	B1
2	B1-10
3	B1-11
4	B1-12
5	B1-3
6	B1-5
7	B1-6
8	B1-7
9	B1-8
10	B1-9
11	B2
12	C1
13	C1-1
14	C2
15	C3
16	C4
17	E1
18	E10
19	E11
20	E12
21	E13
22	E14
23	E15
24	E16
25	E17
26	E18
27	E19
28	E2
29	E20
30	E21
31	E21-1
32	E21-2
33	E21-3
34	E23
35	E24
36	E25
37	E26
38	E27
39	E28
40	E3
41	E4
42	E5
43	E6
44	E7
45	E8
46	E9
47	F1
48	F10
49	F11
50	F1-1
51	F12
52	F13
53	F15
54	F17
55	F18
56	F2
57	F3
58	F4
59	F5
60	F6
61	F7
62	F7-1
63	F7-2
64	F7-3
65	F7-6
66	F7-7
67	F8
68	F9
69	K1
70	K10
71	K11
72	K12
73	K13
74	K16
75	K17
76	K2
77	K3
78	K4
79	K5
80	K6
81	K7
82	K8
83	K9

# FCQ[18,24]TAVJU

Ref. Part No:	Description:	Ref. Part No:	Description:						
<b>Image 1:</b>		<b>Image 1:</b>							
1	1993042	53	NA						
1	2430304	54	116692J						
2	1912586	55	NA						
3	1912601	56	2013499						
4	1912618	57	2013514						
5	119848J	58	170316J						
6	042396J	59	2077727						
7	380120J	60	2013569						
8	1901771	61	2005126						
8	1901788	62	2013576						
9	2319678	63	1985421						
10	1912593	64	127028J						
11	142496J	65	2044431						
12	1686731	66	NA						
13	143097J	67	2372042						
14	066216J	68	2013932						
15	015774J	69	032284J						
16	2013608	70	980723J						
17	NA	71	001439J						
18	NA	72	084212J						
19	1992900	73	163556J						
20	1993004	74	2223498						
21	1993011	75	2223506						
22	1992847	76	170323J						
23	1992854	77	038187J						
24	2026154	78	031111J						
25	2013413	79	152134J						
26	2013420	80	537320J						
27	2026161	81	143192J						
28	2013381	82	1888001						
29	2014942	83	1755497						
30	NA	<b>Expanded Model Nomenclature</b>							
31	2013437	<table border="1"> <tr> <td>M1 - FCQ18TAVJU</td> </tr> <tr> <td>M2 - FCQ24TAVJU</td> </tr> <tr> <td>M3 - FCQ30TAVJU</td> </tr> <tr> <td>M4 - FCQ36TAVJU</td> </tr> <tr> <td>M5 - FCQ42TAVJU</td> </tr> <tr> <td>M6 - FCQ48TAVJU</td> </tr> </table>		M1 - FCQ18TAVJU	M2 - FCQ24TAVJU	M3 - FCQ30TAVJU	M4 - FCQ36TAVJU	M5 - FCQ42TAVJU	M6 - FCQ48TAVJU
M1 - FCQ18TAVJU									
M2 - FCQ24TAVJU									
M3 - FCQ30TAVJU									
M4 - FCQ36TAVJU									
M5 - FCQ42TAVJU									
M6 - FCQ48TAVJU									
32	2065438								
33	2013451								
34	1993105								
35	053203J								
36	2266471								
37	2257314								
38	2182155								
39	064060J								
39	065336J								
40	2013398								
41	2223474								
42	1992809								
43	6000675								
44	153623J								
45	2211116								
46	1844203								
47	2013468								
48	2057684								
49	054199J								
50	NA								
51	2323211								
52	2161730								

# FCQ[30,36,42,48]TAVJU

## FCQ30TAVJU / FCQ36TAVJU / FCQ42TAVJU / FCQ48TAVJU



Picture Key

Ref #	Picture #
1	B1
2	B1-10
3	B1-11
4	B1-12
5	B1-3
6	B1-5
7	B1-6
8	B1-7
9	B1-8
10	B1-9
11	B2
12	C1
13	C1-1
14	C2
15	C3
16	C4
17	E1
18	E10
19	E11
20	E12
21	E13
22	E14
23	E15
24	E16
25	E17
26	E18
27	E19
28	E2
29	E20
30	E21
31	E21-1
32	E21-2
33	E21-3
34	E23
35	E24
36	E25
37	E26
38	E27
39	E28
40	E3
41	E4
42	E5
43	E6
44	E7
45	E8
46	E9
47	F1
48	F10
49	F11
50	F1-1
51	F12
52	F13
53	F15
54	F17
55	F18
56	F2
57	F3
58	F4
59	F5
60	F6
61	F7
62	F7-1
63	F7-2
64	F7-3
65	F7-6
66	F7-7
67	F8
68	F9
69	K1
70	K10
71	K11
72	K12
73	K13
74	K16
75	K17
76	K2
77	K3
78	K4
79	K5
80	K6
81	K7
82	K8
83	K9

# FCQ[30,36,42,48]TAVJU

Ref. Part No:	No:	Description:	Ref. Part No:	No:	Description:						
<b>Image 1:</b>			<b>Image 1:</b>								
1	1993059	EVAPORATOR ASSY. (M3, M4, M5, M6)	45	2211116	PLASTIC CASE (M3, M4, M5, M6)						
2	1912586	REFRIGERANT FILTER (M3, M4, M5, M6)	46	1844203	PAN HEAD TAPPING SCREW (M3, M4, M5, M6)						
3	1912601	PUTTY (M3, M4, M5, M6)	47	2013475	CASING FRAME ASSY. (M3, M4, M5, M6)						
4	1912618	PUTTY (M3, M4, M5, M6)	48	2057677	PLATE FINNED COIL MOUNTING PLATE (M3, M4, M5, M6)						
5	119848J	FLARE NUT (M3, M4, M5, M6)	49	054199J	NUT WITH FLAT WASHER (M3, M4, M5, M6)						
6	042396J	FITTING SPRING/ THERMISTOR (M3, M4, M5, M6)	50	NA	SET BOLT/ FAN MOTOR (M3, M4, M5, M6)						
7	380120J	FITTING SPRING/ THERMISTOR (M3, M4, M5, M6)	51	2323211	MOUNTING PLATE (M3, M4, M5, M6)						
8	1901788	BODY/ ELECTRONIC EXP. VALVE (M3, M4, M5, M6)	52	2161730	SEALING MATERIAL (M3, M4, M5, M6)						
9	2319678	COIL/ ELECTRONIC EXP. VALVE ASSY. (M3, M4, M5, M6)	53	NA	TRUSS HEAD TAPPING SCREW (M3, M4, M5, M6)						
10	1912593	REFRIGERANT FILTER (M3, M4, M5, M6)	54	116692J	TRUSS HEAD TAPPING SCREW (M3, M4, M5, M6)						
11	142496J	FLARE NUT (M3, M4, M5, M6)	55	NA	HEX HEAD TAPPING SCREW (M3, M4, M5, M6)						
12	1686731	TURBO FAN ROTOR (M3, M4, M5, M6)	56	2012427	BELL MOUTH (M3, M4, M5, M6)						
13	143097J	FLAT HEAD SCREW (M3, M4, M5, M6)	57	2013521	SET PLATE/ HEAT EXCHANGER (M3, M4, M5, M6)						
14	066216J	LOCK WASHER (M3, M4, M5, M6)	58	170316J	HOLD PLATE ASSY. (M3, M4, M5, M6)						
15	015774J	LOCK NUT/ FAN ROTOR (M3, M4, M5, M6)	59	2077727	HOLD PLATE (M3, M4, M5, M6)						
16	2013608	PROTECTION NET/ AIR INLET (M3, M4, M5, M6)	60	2013569	STRAIGHTENING PLATE (M3, M4, M5, M6)						
17	NA	ELECTRIC COMPONENT ASSY. (M3, M4, M5, M6)	61	2005126	DRAIN PAN ASSY. (M3, M4, M5, M6)						
18	NA	TAPPING SCREW (M3, M4, M5, M6)	62	2013576	DRAIN SOCKET CAP (M3, M4, M5, M6)						
19	1992900	THERMISTOR (AIR) (M3, M4, M5, M6)	63	1985421	ANTI-BACTERIAL AGENTS ASSY. (M3, M4, M5, M6)						
20	1993004	WIRE HARNESS (REMOTE CONTROLLER) (M3, M4, M5, M6)	64	127028J	CAP/ DRAIN SOCKET (M3, M4, M5, M6)						
21	1993011	WIRE HARNESS (POWER SUPPLY) (M3, M4, M5, M6)	65	2044431	SEALING MATERIAL ASSY. (M3, M4, M5, M6)						
22	1992847	WIRE HARNESS (POWER SUPPLY) (M3, M4, M5, M6)	66	NA	THERMAL INSULATION (M3, M4, M5, M6)						
23	1992854	WIRE HARNESS (ACS TRANSMISSION) (M3, M4, M5, M6)	67	2013590	INNER THERMAL INSULATION ASSY. (M3, M4, M5, M6)						
24	2026154	EARTH WIRE (M3, M4, M5, M6)	68	2013932	DRAIN HOSE ASSY. (M3, M4, M5, M6)						
25	2013413	COVER/ SWITCH BOX (M3, M4, M5, M6)	69	032284J	SEALER/ DRAIN HOSE (M3, M4, M5, M6)						
26	2013420	PLASTIC CASE (M3, M4, M5, M6)	70	980723J	WIRE CLAMP (M3, M4, M5, M6)						
27	2026161	CONNECTOR ASSY. (M3, M4, M5, M6)	71	001439J	SEALER/ DRAIN HOSE (M3, M4, M5, M6)						
28	2013381	SWITCH BOX (M3, M4, M5, M6)	72	084212J	TAPPING SCREW (M3, M4, M5, M6)						
29	2014942	SEALER (M3, M4, M5, M6)	73	163556J	ANTISWEAT COVER (M3, M4, M5, M6)						
30	NA	DRAIN PUMP ASSY. (M3, M4, M5, M6)	74	2223498	CONDUIT MOUNTING PLATE (M3, M4, M5, M6)						
31	2013437	DRAIN PUMP (M3, M4, M5, M6)	75	2223506	ELECTRIC INSULATION (M3, M4, M5, M6)						
32	2065438	FLOAT SWITCH (M3, M4, M5, M6)	76	170323J	SEALING MATERIAL (M3, M4, M5, M6)						
33	2013451	MOUNTING PLATE/ DRAIN PUMP (M3, M4, M5, M6)	77	038187J	INSULATION TUBE (M3, M4, M5, M6)						
34	2006011	DC FAN MOTOR (M3, M4, M5, M6)	78	031111J	INSULATION TUBE (M3, M4, M5, M6)						
35	053203J	CUSHION RUBBER/ FAN MOTOR (M3, M4, M5, M6)	79	152134J	DRAIN HOSE (M3, M4, M5, M6)						
36	2266471	THERMISTOR (COIL) (M3, M4, M5, M6)	80	537320J	HOSE BAND (M3, M4, M5, M6)						
37	2257314	THERMISTOR (COIL) (M3, M4, M5, M6)	81	143192J	THERMAL INSULATION/ LEAD WIRE (M3, M4, M5, M6)						
38	2182155	WIRE HARNESS ASSY. (FAN MOTOR) (M3, M4, M5, M6)	82	1888001	WASHER/ FIXING MATERIAL (M3, M4, M5, M6)						
39	065337J	CAPACITY SETTING ADAPTOR (M4)	83	1755497	PLAIN WASHER (M3, M4, M5, M6)						
39	065338J	CAPACITY SETTING ADAPTOR (M5, M6)	<b>Expanded Model Nomenclature</b>								
39	066965J	CAPACITY SETTING ADAPTOR (M3)	<table border="1"> <tr> <td>M1 - FCQ18TAVJU</td> </tr> <tr> <td>M2 - FCQ24TAVJU</td> </tr> <tr> <td>M3 - FCQ30TAVJU</td> </tr> <tr> <td>M4 - FCQ36TAVJU</td> </tr> <tr> <td>M5 - FCQ42TAVJU</td> </tr> <tr> <td>M6 - FCQ48TAVJU</td> </tr> </table>			M1 - FCQ18TAVJU	M2 - FCQ24TAVJU	M3 - FCQ30TAVJU	M4 - FCQ36TAVJU	M5 - FCQ42TAVJU	M6 - FCQ48TAVJU
M1 - FCQ18TAVJU											
M2 - FCQ24TAVJU											
M3 - FCQ30TAVJU											
M4 - FCQ36TAVJU											
M5 - FCQ42TAVJU											
M6 - FCQ48TAVJU											
40	2013398	PLASTIC CASE (M3, M4, M5, M6)									
41	2223474	PRINTED CIRCUIT BOARD ASSY. (M3, M4, M5, M6)									
42	1992809	PRINTED CIRCUIT BOARD ASSY. (M3, M4, M5, M6)									
43	6000675	TERMINAL BLOCK (M3, M4, M5, M6)									
44	153623J	TERMINAL BLOCK (POWER SUPPLY) (M3, M4, M5, M6)									