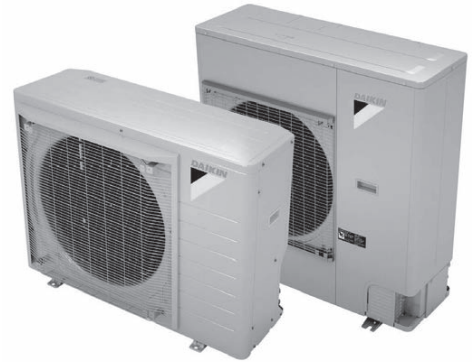


DZ17VSA FIT HP Outdoor Inverter

DZ17VSA181BA
DZ17VSA241BA
DZ17VSA301BA
DZ17VSA361BA
DZ17VSA421BA
DZ17VSA481BA
DZ17VSA601BA



This manual is to be used by qualified technicians only.

Important Information

Index

Functional Parts List	3
Illustration and Parts	4 - 13

Views shown are for parts illustrations only, not servicing procedures.

Text Codes:

AR - As Required

NA - Not Available

NS - Not Shown

00000000 - See Note

QTY - Quantity Example (QTY 3) (If Quantity not shown, Quantity = 1)

M - Model Example (M1) (If M Code not shown, then part is used on all Models)

Expanded Model Nomenclature:

Example
M1 - Model#1
M2 - Model#2
M3 - Model#3

Daikin Manufacturing Company, L.P. is not responsible for personal injury or property damage resulting from improper service. Review all service information before beginning repairs.

Warranty service must be performed by an authorized technician, using authorized factory parts. If service is required after the warranty expires, Daikin Manufacturing Company, L.P. also recommends contacting an authorized technician and using authorized factory parts.

Daikin Manufacturing Company, L.P. reserves the right to discontinue, or change at any time, specifications or designs without notice or without incurring obligations.

For assistance within the U.S.A. contact:

Homeowner Support
Daikin North America, LLC
19001 Kermier Road
Waller, Texas 77484
855-770-5678-Telephone
713-863-2382-Facsimile

For assistance outside the U.S.A. contact:

International Division
Daikin North America, LLC
19001 Kermier Road
Waller, Texas 77484
713-861-2500-Telephone
713-863-2382-Facsimile

Functional Parts

Part

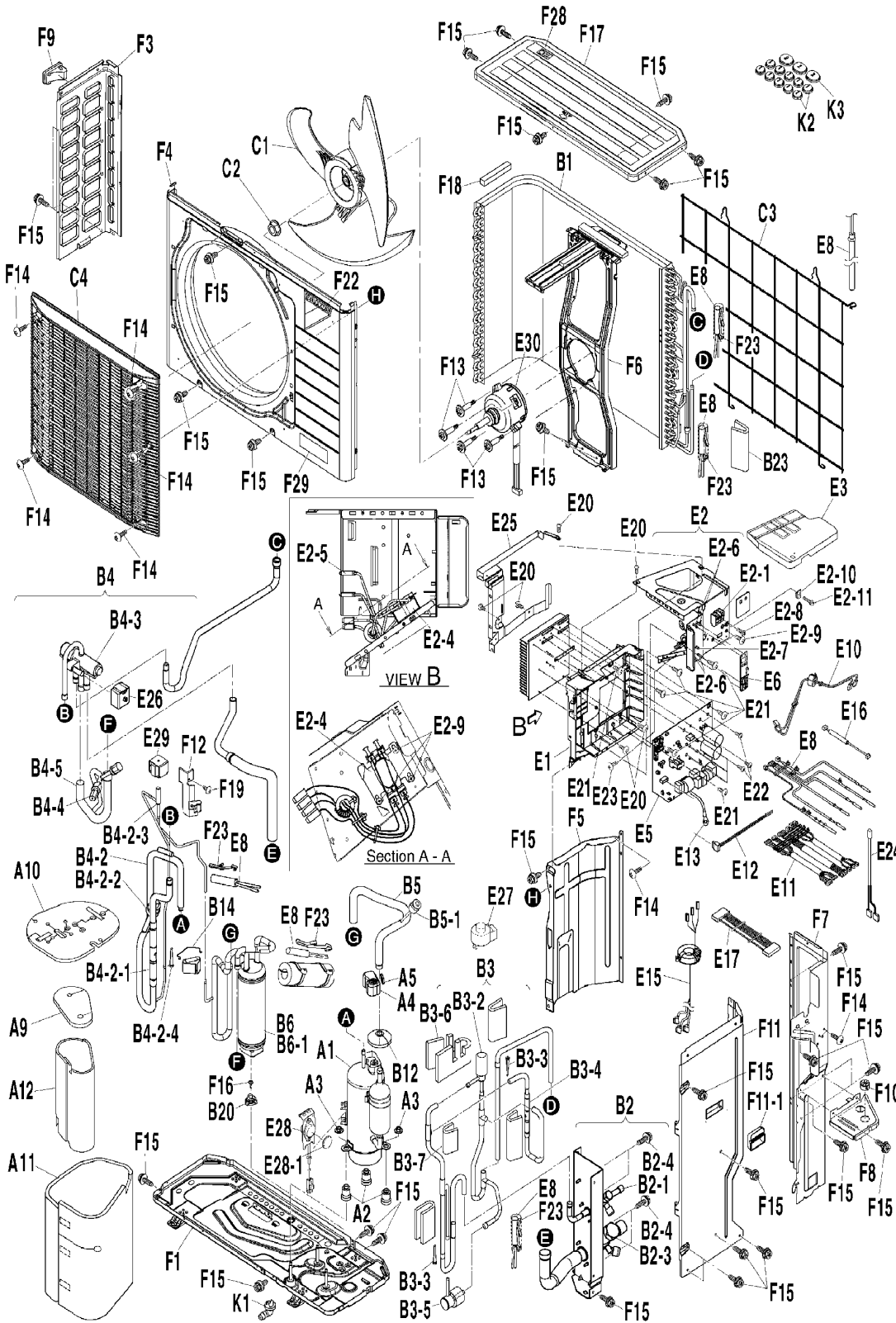
No: Description:

107638J	CHECK VALVE (M3, M4, M5, M6, M7)
151188J	CHECK VALVE (M1, M2, M3, M4)
038621J	CHECK VALVE (M1, M2, M5, M6, M7)
4025334	COMPRESSOR ASSY. (M7)
4025333	COMPRESSOR ASSY. (M5, M6)
4025332	COMPRESSOR ASSY. (M3, M4)
4025331	COMPRESSOR ASSY. (M1, M2)
4025329	DC FAN MOTOR (M1, M2, M3, M4)
4022882	DC FAN MOTOR (M5, M6, M7)
1721122	FUSIBLE PLUG
2534448	HIGH PRESSURE SWITCH
7009625	PRESSURE CONTROL VALVE (M1, M2, M3, M4)
4022182	PRESSURE SENSOR
2535325	PRINTED CIRCUIT BOARD ASSY. (M4)
2534507	PRINTED CIRCUIT BOARD ASSY. (M5)
2534510	PRINTED CIRCUIT BOARD ASSY. (M1)
2535323	PRINTED CIRCUIT BOARD ASSY. (M2)
2535328	PRINTED CIRCUIT BOARD ASSY. (M6)
2535330	PRINTED CIRCUIT BOARD ASSY. (M7)
2534511	PRINTED CIRCUIT BOARD ASSY. (M3)
4022184	PRINTED CIRCUIT BOARD ASSY. (SERVICE) (M1, M2, M3, M4)
4022880	STOP VALVE (M5, M6, M7)
2425775	THERMISTOR (AIR) (M5, M6, M7)
2425799	THERMISTOR (SUCTION) (M5, M6, M7)
2493932	THERMISTOR ASSY. (M5, M6, M7)
2493817	THERMISTOR ASSY. (M1, M2, M3, M4)

Expanded Model Nomenclature

M1 - DZ17VSA181BA
M2 - DZ17VSA241BA
M3 - DZ17VSA301BA
M4 - DZ17VSA361BA
M5 - DZ17VSA421BA
M6 - DZ17VSA481BA
M7 - DZ17VSA601BA

DZ17VSA181 / DZ17VSA241
DZ17VSA181BA / DZ17VSA241BA



Reference #	Drawing #
1	A1
2	A2
3	A3
4	A4
5	A5
6	A9
7	A10
8	A11
9	A12
10	B1
11	B2
12	B2-1
13	B2-3
14	B2-4
15	B3
16	B3-2
17	B3-3
18	B3-4
19	B3-5
20	B3-6
21	B3-7
22	B4
23	B4-2
24	B4-2-1
25	B4-2-2
26	B4-2-3
27	B4-2-4
28	B4-3
29	B4-4
30	B4-5
31	B5
32	B5-1
33	B6
34	B6-1
35	B12
36	B14
37	B20
38	B23
39	C1
40	C2
41	C3
42	C4
43	E1
44	E2
45	E2-1
46	E2-4
47	E2-5
48	E2-6
49	E2-7
50	E2-8
51	E2-9
52	E2-10
53	E2-11
54	E3
55	E5
56	E6
57	E8
58	E10
59	E11
60	E12
61	E13
62	E15
63	E16
64	E17
65	E20
66	E21
67	E22
68	E23
69	E24
70	E25
71	E26
72	E27
73	E28
74	E28-1
75	E29
76	E30
77	F1
78	F3
79	F4
80	F5
81	F6
82	F7
83	F8
84	F9
85	F10
86	F11
87	F11-1
88	F12
89	F13
90	F14
91	F15
92	F16
93	F17
94	F18
95	F19
96	F22
97	F23
98	F28
99	F29
100	K1
101	K2
102	K3

DZ17VSA181 / DZ17VSA241

Ref. Part No: No:	Description:	Ref. Part No: No:	Description:
Image 1:		Image 1:	
1	4025331 COMPRESSOR ASSY. (M1, M2)	55	2535323 PRINTED CIRCUIT BOARD ASSY. (M2)
2	128989J VIBRATION ABSORBER (M1, M2)	56	4022184 PRINTED CIRCUIT BOARD ASSY. (SERVICE (M1, M2))
3	4010410 WASHER (NUT WITH WASHER) (M1, M2)		
4	2425597 TERMINAL COVER (M1, M2)	57	2493817 THERMISTOR ASSY. (M1, M2)
5	040139J RUBBER BUSH/ LEAD WIRE (M1, M2)	58	2493824 WIRE HARNESS (POWER) (M1, M2)
6	2493716 SOUND INSULATION (INNER TOP 2) (M1, M2)	59	2534453 WIRE HARNESS (SERVICE PCB) (M1, M2)
7	2535321 SOUND INSULATION (OUTER TOP) (M1, M2)	60	4022193 WIRE HARNESS ASSY. (COMMUNICATION) (M1, M2)
8	2535322 SOUND INSULATION (OUTER BODY) (M1, M2)		
9	2493747 SOUND INSULATION (INNER BODY) (M1, M2)	61	2425650 EARTH WIRE (M1, M2)
10	4025335 HEAT EXCHANGER ASSY. (M1, M2)	62	2493831 WIRE HARNESS (FOR COMP.) (M1, M2)
11	NA STOP VALVE ASSY. (M1, M2)	63	2493848 WIRE HARNESS (PCB-OL CONNECTION) (M1, M2)
12	2493754 LIQUID STOP VALVE ASSY. (M1, M2)	64	2535456 WIRE HARNESS ASSY. (SERVICE PCB) (M1, M2)
13	2493761 GAS STOP VALVE ASSY. (M1, M2)	65	109688J TRUSS HEAD TAPPING SCREW (M1, M2)
14	109224J HEX HEAD TAPPING SCREW (M1, M2)	66	121650J TRUSS HEAD TAPPING SCREW (M1, M2)
15	NA ELECTRONIC EXPANSION VALVE ASSY. (M1, M2)	67	2425667 PAN HEAD MACHINE SCREW (M1, M2)
16	2200116 BODY/ ELECTRONIC EXP. VALVE (M1, M2)	68	113783J TAPPING SCREW (M1, M2)
17	008529J STRAINER (FOR REF.) (M1, M2)	69	2534454 WIRE HARNESS ASSY. (HPS) (M1, M2)
18	151188J CHECK VALVE (M1, M2)	70	2494632 RADIATION SHIELD PLATE ASSY. (M1, M2)
19	7009625 PRESSURE CONTROL VALVE (M1, M2)	71	2493855 COIL/ FOUR WAY VALVE (M1, M2)
20	2535317 SOUNDPROOF PUTTY (M1, M2)	72	2493862 COIL/ ELECTRONIC EXP. VALVE (M1, M2)
21	2535318 SOUNDPROOF PUTTY (M1, M2)	73	2433017 RETAINER ASSY. (M1, M2)
22	NA FOUR WAY VALVE ASSY. (M1, M2)	74	2428527 RADIATION SHEET (M1, M2)
23	NA REFRIGERANT PIPE ASSY. (M1, M2)	75	2285629 COIL/ SOLENOID VALVE (M1, M2)
24	038621J CHECK VALVE (M1, M2)	76	4025329 DC FAN MOTOR (M1, M2)
25	2534448 HIGH PRESSURE SWITCH (M1, M2)	77	NA BOTTOM FRAME ASSY. (M1, M2)
26	2165965 BODY/ SOLENOID VALVE (GAS RECEIVER) (M1, M2)	78	4015619 SIDE PLATE (LEFT) (M1, M2)
		79	4015620 FRONT PLATE (M1, M2)
27	111167J STRAINER (M1, M2)	80	4015722 PARTITION PLATE (M1, M2)
28	2455992 BODY/ FOUR WAY VALVE (M1, M2)	81	4020024 FAN MOTOR STAND ASSY. (M1, M2)
29	1721122 FUSIBLE PLUG (M1, M2)	82	NA REAR PLATE ASSY. (M1, M2)
30	2494625 SUCTION PIPE ASSY. (1) (M1, M2)	83	2425681 CONDUIT MOUNTING PLATE ASSY. (M1, M2)
31	NA SUCTION PIPE ASSY. (M1, M2)	84	4015625 HANDLE (LEFT) (M1, M2)
32	4022182 PRESSURE SENSOR (M1, M2)	85	2494098 WIRING PROTECTION BUSH (M1, M2)
33	NA ACCUMULATOR ASSY. (M1, M2)	86	2493886 SIDE PLATE (RIGHT) (M1, M2)
34	2535319 ACCUMULATOR ASSY. (M1, M2)	87	092045J HANDLE (M1, M2)
35	112853J VIBRATION ISOLATOR PUTTY (M1, M2)	88	2535320 PIPING FIXTURE ASSY. (M1, M2)
36	2493792 WIRE SPRING (FOR SUCTION PIPE) (M1, M2)	89	2120405 HEX TAPPING SCREW (3) (M1, M2)
37	380116J CUSHION RUBBER/ ACCUMULATOR (M1, M2)	90	008203J TRUSS HEAD TAPPING SCREW (M1, M2)
38	1666085 SOUNDPROOF PUTTY (M1, M2)	91	109224J HEX HEAD TAPPING SCREW (M1, M2)
39	4016827 PROPELLER FAN ASSY. (M1, M2)	92	1821022 TAPPING SCREW (M1, M2)
40	847003J LOCK NUT/ FAN (M1, M2)	93	4015623 TOP PLATE ASSY. (M1, M2)
41	2425643 PROTECTION NET (M1, M2)	94	4015634 CUSHION MATERIAL (HEAT EXCHANGER) (M1, M2)
42	4022196 DISCHARGE GRILLE ASSY. (M1, M2)		
43	NA SWITCH BOX (M1, M2)	95	NA HEAD MACHINE SCREW (M1, M2)
44	NA MOUNTING PLATE ASSY. (M1, M2)	96	4015629 BRAND NAME LABEL (M1, M2)
45	4022185 TERMINAL BLOCK (M1, M2)	97	042396J FITTING SPRING/ THERMISTOR (M1, M2)
46	4022186 REACTOR (M1, M2)	98	4011522 LABEL (M1, M2)
47	4022188 WIRE HARNESS (REACTOR 2) (M1, M2)	99	4023075 CAUTION LABEL (ROTATING) (M1, M2)
48	1728464 SPACER (PCB) (M1, M2)	100	058956J DRAIN JOINT (M1, M2)
49	2115472 SPACER (PCB) (M1, M2)	101	2253709 CAP 1 (DRAIN) (M1, M2)
50	1796234 PAN HEAD TAPPING SCREW (M1, M2)	102	2253716 CAP 2 (DRAIN) (M1, M2)
51	109688J TRUSS HEAD TAPPING SCREW (M1, M2)		
52	1786749 WASHER (FOR EARTH) (M1, M2)		
53	4004935 PAN HEAD TAPPING SCREW (3) (M1, M2)		
54	2493800 COVER/ SWITCH BOX (M1, M2)		
55	2534510 PRINTED CIRCUIT BOARD ASSY. (M1)		

DZ17VSA181 / DZ17VSA241

Ref. Part

No: No:

Description:

Ref. Part

No: No:

Description:

Expanded Model Nomenclature

M1 - DZ17VSA181BA

M2 - DZ17VSA241BA

M3 - DZ17VSA301BA

M4 - DZ17VSA361BA

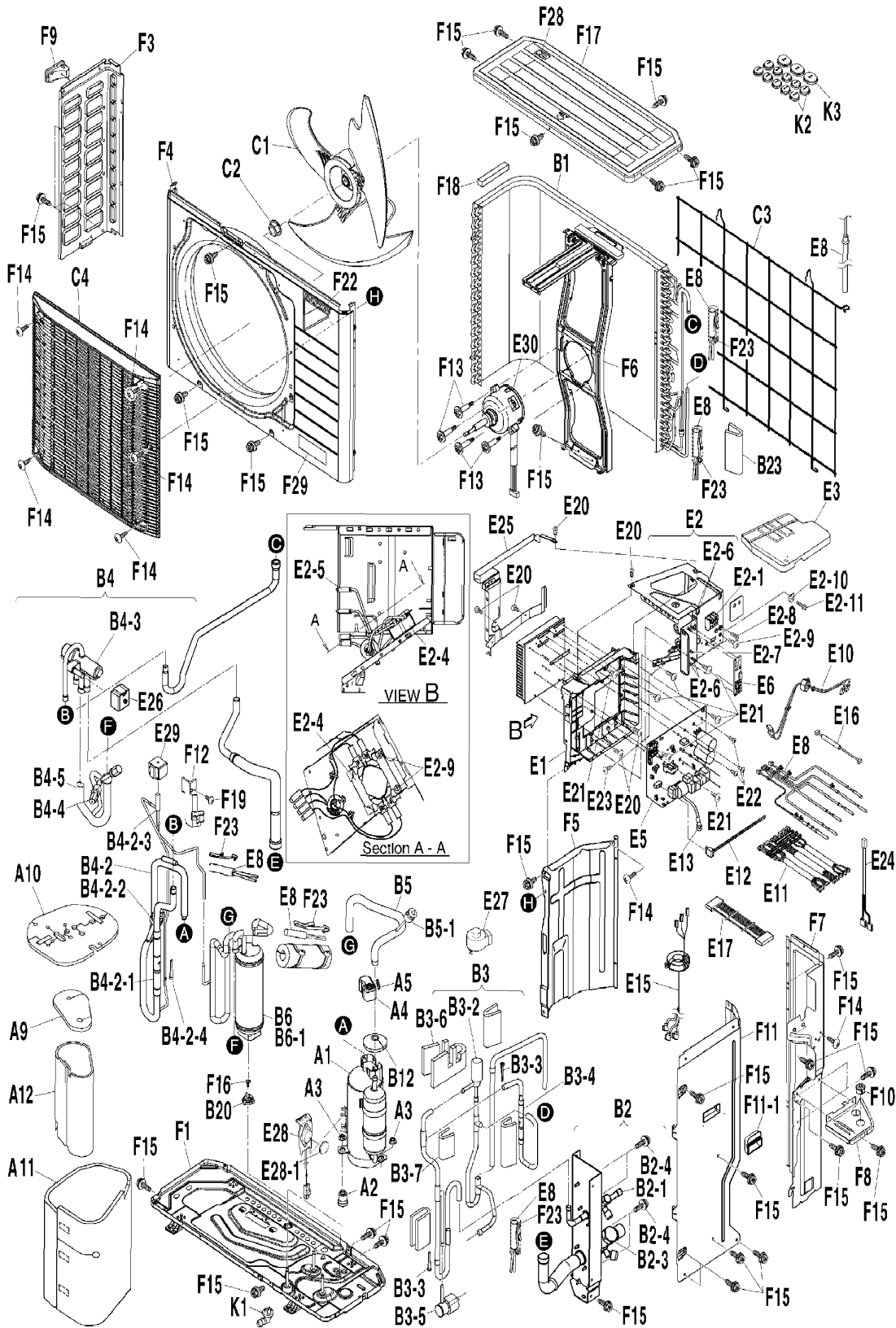
M5 - DZ17VSA421BA

M6 - DZ17VSA481BA

M7 - DZ17VSA601BA

DZ17VSA301

DZ17VSA301BA



Reference #	Drawing #
1	A1
2	A2
3	A3
4	A4
5	A5
6	A9
7	A10
8	A11
9	A12
10	B1
11	B2
12	B2-1
13	B2-3
14	B2-4
15	B3
16	B3-2
17	B3-3
18	B3-4
19	B3-5
20	B3-6
21	B3-7
22	B4
23	B4-2
24	B4-2-1
25	B4-2-2
26	B4-2-3
27	B4-2-4
28	B4-3
29	B4-4
30	B4-5
31	B5
32	B5-1
33	B6
34	B6-1
35	B12
36	B20
37	B23
38	C1
39	C2
40	C3
41	C4
42	E1
43	E2
44	E2-1
45	E2-4
46	E2-5
47	E2-6
48	E2-7
49	E2-8
50	E2-9
51	E2-10
52	E2-11
53	E3
54	E5
55	E6
56	E8
57	E10
58	E11
59	E12
60	E13
61	E15
62	E16
63	E17
64	E20
65	E21
66	E22
67	E23
68	E24
69	E25
70	E26
71	E27
72	E28
73	E28-1
74	E29
75	E30
76	F1
77	F3
78	F4
79	F5
80	F6
81	F7
82	F8
83	F9
84	F10
85	F11
86	F11-1
87	F12
88	F13
89	F14
90	F15
91	F16
92	F17
93	F18
94	F19
95	F22
96	F23
97	F28
98	F29
99	K1
100	K2
101	K3

DZ17VSA301

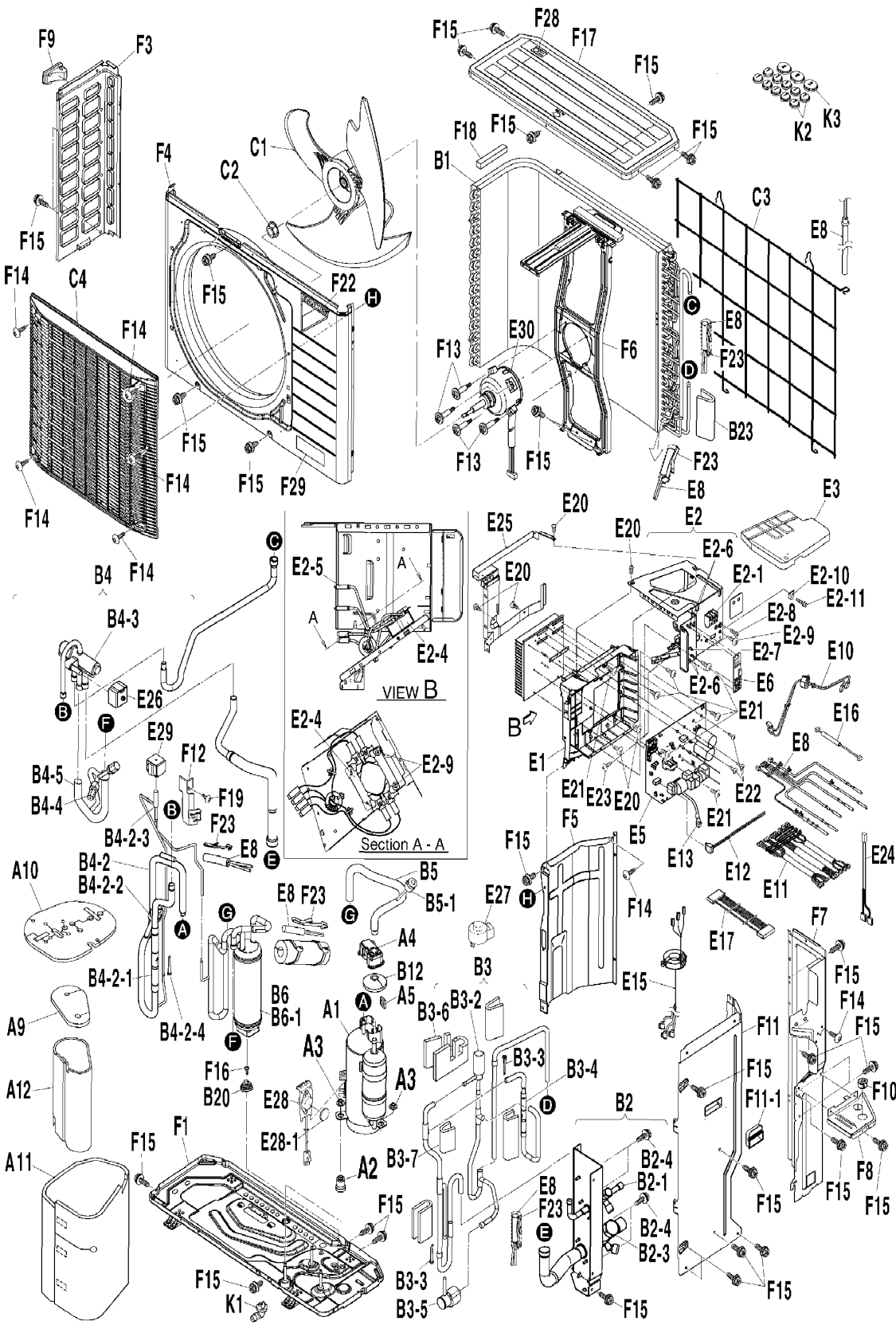
Ref. Part No: No:	Description:	Ref. Part No: No:	Description:
Image 1:		Image 1:	
1	4025332 COMPRESSOR ASSY. (M3)	58	2534453 WIRE HARNESS (SERVICE PCB) (M3)
2	128989J VIBRATION ABSORBER (M3)	59	4022193 WIRE HARNESS ASSY. (COMMUNICATION) (M3)
3	4010410 WASHER (NUT WITH WASHER) (M3)	60	2425650 EARTH WIRE (M3)
4	2425597 TERMINAL COVER (M3)	61	2493831 WIRE HARNESS (FOR COMP.) (M3)
5	040139J RUBBER BUSH/ LEAD WIRE (M3)	62	2493848 WIRE HARNESS (PCB-OL CONNECTION) (M3)
6	2493893 SOUND INSULATION (INNER TOP) (M3)	63	2535456 WIRE HARNESS ASSY. (SERVICE PCB) (M3)
7	2535321 SOUND INSULATION (OUTER TOP) (M3)	64	109688J TRUSS HEAD TAPPING SCREW (M3)
8	2535322 SOUND INSULATION (OUTER BODY) (M3)	65	121650J TRUSS HEAD TAPPING SCREW (M3)
9	2493747 SOUND INSULATION (INNER BODY) (M3)	66	2425667 PAN HEAD MACHINE SCREW (M3)
10	4025335 HEAT EXCHANGER ASSY. (M3)	67	113783J TAPPING SCREW (M3)
11	NA STOP VALVE ASSY. (M3)	68	2534454 WIRE HARNESS ASSY. (HPS) (M3)
12	2493754 LIQUID STOP VALVE ASSY. (M3)	69	2494632 RADIATION SHIELD PLATE ASSY. (M3)
13	2493901 GAS STOP VALVE ASSY. (M3)	70	2493855 COIL/ FOUR WAY VALVE (M3)
14	109224J HEX HEAD TAPPING SCREW (M3)	71	2493862 COIL/ ELECTRONIC EXP. VALVE (M3)
15	NA ELECTRONIC EXPANSION VALVE ASSY. (M3)	72	2433017 RETAINER ASSY. (M3)
16	2200116 BODY/ ELECTRONIC EXP. VALVE (M3)	73	2428527 RADIATION SHEET (M3)
17	008529J STRAINER (FOR REF.) (M3)	74	2285629 COIL/ SOLENOID VALVE (M3)
18	151188J CHECK VALVE (M3)	75	4025329 DC FAN MOTOR (M3)
19	7009625 PRESSURE CONTROL VALVE (M3)	76	NA BOTTOM FRAME ASSY. (M3)
20	2535317 SOUNDPROOF PUTTY (M3)	77	4015619 SIDE PLATE (LEFT) (M3)
21	2535324 SOUNDPROOF PUTTY (M3)	78	4015620 FRONT PLATE (M3)
22	NA FOUR WAY VALVE ASSY. (M3)	79	4015722 PARTITION PLATE (M3)
23	NA REFRIGERANT PIPE ASSY. (M3)	80	4020024 FAN MOTOR STAND ASSY. (M3)
24	107638J CHECK VALVE (M3)	81	NA REAR PLATE ASSY. (M3)
25	2534448 HIGH PRESSURE SWITCH (M3)	82	2425681 CONDUIT MOUNTING PLATE ASSY. (M3)
26	2165965 BODY/ SOLENOID VALVE (M3)	83	4015625 HANDLE (LEFT) (M3)
27	111167J STRAINER (M3)	84	2494098 WIRING PROTECTION BUSH (M3)
28	2455992 BODY/ FOUR WAY VALVE (M3)	85	4022195 SIDE PLATE (RIGHT) (M3)
29	1721122 FUSIBLE PLUG (M3)	86	092045J HANDLE (M3)
30	2494625 SUCTION PIPE ASSY. (1) (M3)	87	2535320 PIPING FIXTURE ASSY. (M3)
31	NA SUCTION PIPE ASSY. (M3)	88	2120405 HEX TAPPING SCREW (3) (M3)
32	4022182 PRESSURE SENSOR (M3)	89	008203J TRUSS HEAD TAPPING SCREW (M3)
33	NA ACCUMULATOR ASSY. (M3)	90	109224J HEX HEAD TAPPING SCREW (M3)
34	2535319 ACCUMULATOR ASSY. (M3)	91	1821022 TAPPING SCREW (M3)
35	112853J VIBRATION ISOLATOR PUTTY (M3)	92	4015623 TOP PLATE ASSY. (M3)
36	380116J CUSHION RUBBER/ ACCUMULATOR (M3)	93	4015634 CUSHION MATERIAL (HEAT EXCHANGER) (M3)
37	1666085 SOUNDPROOF PUTTY (M3)	94	NA HEAD MACHINE SCREW (M3)
38	4016827 PROPELLER FAN ASSY. (M3)	95	4015629 BRAND NAME LABEL (M3)
39	847003J LOCK NUT/ FAN (M3)	96	042396J FITTING SPRING/ THERMISTOR (M3)
40	2425643 PROTECTION NET (M3)	97	4011522 LABEL (M3)
41	4022196 DISCHARGE GRILLE ASSY. (M3)	98	4023075 CAUTION LABEL (ROTATING) (M3)
42	NA SWITCH BOX (M3)	99	058956J DRAIN JOINT (M3)
43	NA MOUNTING PLATE ASSY. (M3)	100	2253709 CAP 1 (DRAIN) (M3)
44	4022185 TERMINAL BLOCK (M3)	101	2253716 CAP 2 (DRAIN) (M3)
45	4022187 REACTOR (M3)		
46	4022189 WIRE HARNESS (REACTOR 2) (M3)		
47	1728464 SPACER (PCB) (M3)		
48	2115472 SPACER (PCB) (M3)		
49	1796234 PAN HEAD TAPPING SCREW (M3)		
50	109688J TRUSS HEAD TAPPING SCREW (M3)		
51	1786749 WASHER (FOR EARTH) (M3)		
52	4004935 PAN HEAD TAPPING SCREW (3) (M3)		
53	2493800 COVER/ SWITCH BOX (M3)		
54	2534511 PRINTED CIRCUIT BOARD ASSY. (M3)		
55	4022184 PRINTED CIRCUIT BOARD ASSY. (SERVICE) (M3)		
56	2493817 THERMISTOR ASSY. (M3)		
57	2493824 WIRE HARNESS (POWER) (M3)		

Expanded Model Nomenclature

M1 - DZ17VSA181BA
M2 - DZ17VSA241BA
M3 - DZ17VSA301BA
M4 - DZ17VSA361BA
M5 - DZ17VSA421BA
M6 - DZ17VSA481BA
M7 - DZ17VSA601BA

DZ17VSA361

DZ17VSA361BA



Reference #	Drawing #
1	A1
2	A2
3	A3
4	A4
5	A5
6	A6
7	A10
8	A11
9	A12
10	B1
11	B2
12	B2-1
13	B2-3
14	B2-4
15	B3
16	B3-2
17	B3-3
18	B3-4
19	B3-5
20	B3-6
21	B3-7
22	B4
23	B4-2
24	B4-2-1
25	B4-2-2
26	B4-2-3
27	B4-2-4
28	B4-3
29	B4-4
30	B4-5
31	B5
32	B5-1
33	B6
34	B6-1
35	B12
36	B20
37	B23
38	C1
39	C2
40	C3
41	C4
42	E1
43	E2
44	E2-1
45	E2-4
46	E2-5
47	E2-6
48	E2-7
49	E2-8
50	E2-9
51	E2-10
52	E2-11
53	E3
54	E5
55	E6
56	E8
57	E10
58	E11
59	E12
60	E13
61	E15
62	E16
63	E17
64	E20
65	E21
66	E22
67	E23
68	E24
69	E25
70	E26
71	E27
72	E28
73	E28-1
74	E29
75	E30
76	F1
77	F3
78	F4
79	F5
80	F6
81	F7
82	F8
83	F9
84	F10
85	F11
86	F11-1
87	F12
88	F13
89	F14
90	F15
91	F16
92	F17
93	F18
94	F19
95	F22
96	F23
97	F28
98	F29
99	K1
100	K2
101	K3

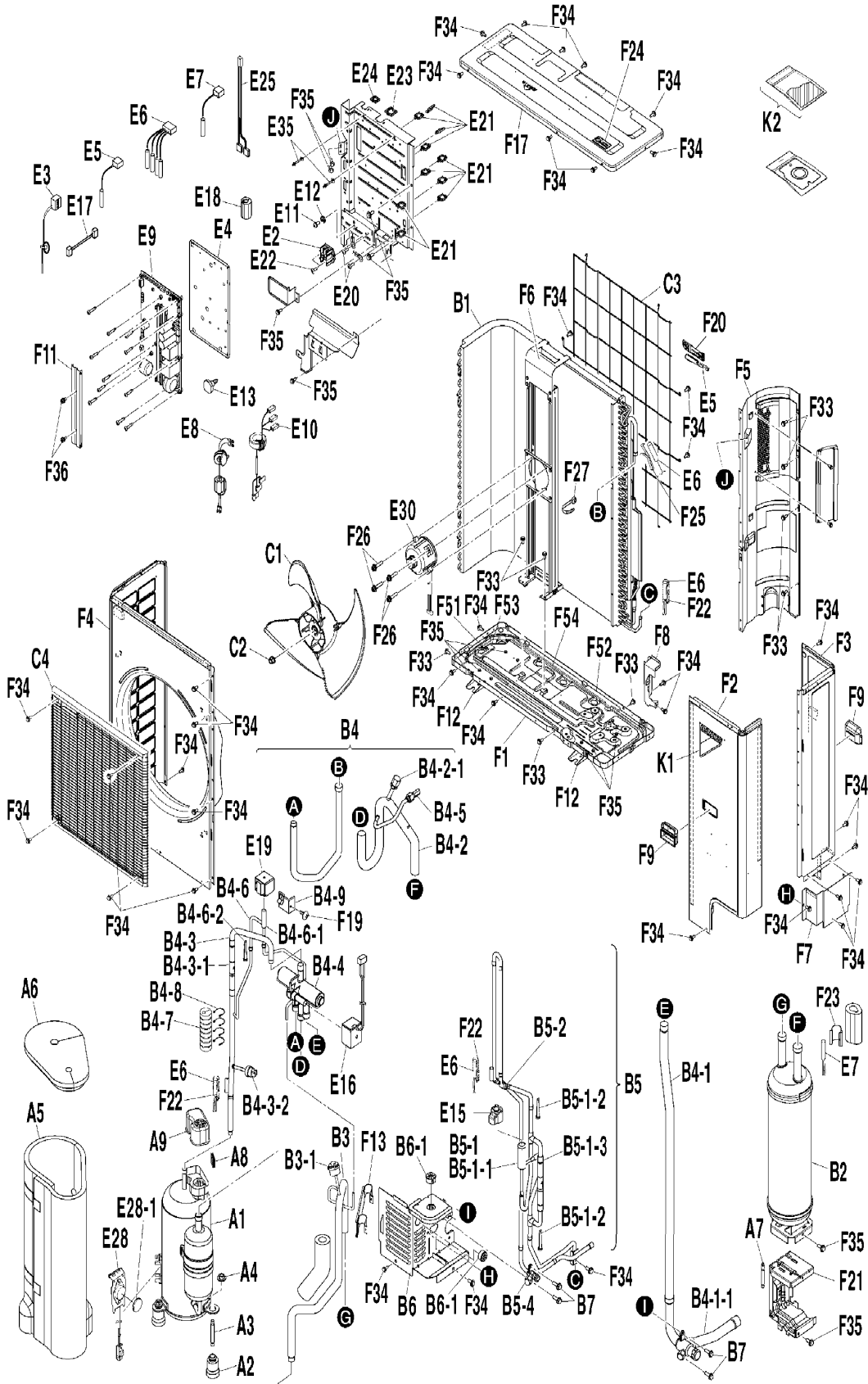
DZ17VSA361

Ref. Part No:	Ref. Part No:	Description:	Description:		
Image 1:		Image 1:			
1	4025332	COMPRESSOR ASSY. (M4)	58	2534453	WIRE HARNESS (SERVICE PCB) (M4)
2	128989J	VIBRATION ABSORBER (M4)	59	4022193	WIRE HARNESS ASSY. (COMMUNICATION) (M4)
3	4010410	WASHER (NUT WITH WASHER) (M4)	60	2425650	EARTH WIRE (M4)
4	2425597	TERMINAL COVER (M4)	61	2493831	WIRE HARNESS (FOR COMP.) (M4)
5	040139J	RUBBER BUSH/ LEAD WIRE (M4)	62	2493848	WIRE HARNESS (PCB-OL CONNECTION) (M4)
6	2493893	SOUND INSULATION (INNER TOP) (M4)	63	2535456	WIRE HARNESS ASSY. (SERVICE PCB) (M4)
7	2535321	SOUND INSULATION (OUTER TOP) (M4)	64	109688J	TRUSS HEAD TAPPING SCREW (M4)
8	2535322	SOUND INSULATION (OUTER BODY) (M4)	65	121650J	TRUSS HEAD TAPPING SCREW (M4)
9	2493747	SOUND INSULATION (INNER BODY) (M4)	66	2425667	PAN HEAD MACHINE SCREW (M4)
10	4025336	HEAT EXCHANGER ASSY. (M4)	67	113783J	TAPPING SCREW (M4)
11	NA	STOP VALVE ASSY. (M4)	68	2534454	WIRE HARNESS ASSY. (HPS) (M4)
12	2493754	LIQUID STOP VALVE ASSY. (M4)	69	2494632	RADIATION SHIELD PLATE ASSY. (M4)
13	2493901	GAS STOP VALVE ASSY. (M4)	70	2493855	COIL/ FOUR WAY VALVE (M4)
14	109224J	HEX HEAD TAPPING SCREW (M4)	71	2493862	COIL/ ELECTRONIC EXP. VALVE (M4)
15	NA	ELECTRONIC EXPANSION VALVE ASSY. (M4)	72	2433017	RETAINER ASSY. (M4)
16	2200116	BODY/ ELECTRONIC EXP. VALVE (M4)	73	2428527	RADIATION SHEET (M4)
17	008529J	STRAINER (FOR REF.) (M4)	74	2285629	COIL/ SOLENOID VALVE (M4)
18	151188J	CHECK VALVE (M4)	75	4025329	DC FAN MOTOR (M4)
19	7009625	PRESSURE CONTROL VALVE (M4)	76	NA	BOTTOM FRAME ASSY. (M4)
20	2535317	SOUNDPROOF PUTTY (M4)	77	4015619	SIDE PLATE (LEFT) (M4)
21	2535324	SOUNDPROOF PUTTY (M4)	78	4015620	FRONT PLATE (M4)
22	NA	FOUR WAY VALVE ASSY. (M4)	79	4015722	PARTITION PLATE (M4)
23	NA	REFRIGERANT PIPE ASSY. (M4)	80	2425713	FAN MOTOR STAND ASSY. (M4)
24	107638J	CHECK VALVE (M4)	81	NA	REAR PLATE ASSY. (M4)
25	2534448	HIGH PRESSURE SWITCH (M4)	82	2425681	CONDUIT MOUNTING PLATE ASSY. (M4)
26	2165965	BODY/ SOLENOID VALVE (M4)	83	4015625	HANDLE (LEFT) (M4)
27	111167J	STRAINER (M4)	84	2494098	WIRING PROTECTION BUSH (M4)
28	2455992	BODY/ FOUR WAY VALVE (M4)	85	4022195	SIDE PLATE (RIGHT) (M4)
29	1721122	FUSIBLE PLUG (M4)	86	092045J	HANDLE (M4)
30	2494625	SUCTION PIPE ASSY. (1) (M4)	87	2535320	PIPING FIXTURE ASSY. (M4)
31	NA	SUCTION PIPE ASSY. (M4)	88	2120405	HEX TAPPING SCREW (3) (M4)
32	4022182	PRESSURE SENSOR (M4)	89	008203J	TRUSS HEAD TAPPING SCREW (M4)
33	NA	ACCUMULATOR ASSY. (M4)	90	109224J	HEX HEAD TAPPING SCREW (M4)
34	2535319	ACCUMULATOR ASSY. (M4)	91	1821022	TAPPING SCREW (M4)
35	112853J	VIBRATION ISOLATOR PUTTY (M4)	92	4015623	TOP PLATE ASSY. (M4)
36	380116J	CUSHION RUBBER/ ACCUMULATOR (M4)	93	4015634	CUSHION MATERIAL (HEAT EXCHANGER) (M4)
37	1666085	SOUNDPROOF PUTTY (M4)	94	NA	HEAD MACHINE SCREW (M4)
38	4016827	PROPELLER FAN ASSY. (M4)	95	4015629	BRAND NAME LABEL (M4)
39	847003J	LOCK NUT/ FAN (M4)	96	042396J	FITTING SPRING/ THERMISTOR (M4)
40	2425643	PROTECTION NET (M4)	97	4011522	LABEL (M4)
41	4022196	DISCHARGE GRILLE ASSY. (M4)	98	4023075	CAUTION LABEL (ROTATING) (M4)
42	NA	SWITCH BOX (M4)	99	058956J	DRAIN JOINT (M4)
43	NA	MOUNTING PLATE ASSY. (M4)	100	2253709	CAP 1 (DRAIN) (M4)
44	4022185	TERMINAL BLOCK (M4)	101	2253716	CAP 2 (DRAIN) (M4)
45	4022187	REACTOR (M4)			
46	4022189	WIRE HARNESS (REACTOR 2) (M4)			
47	1728464	SPACER (PCB) (M4)			
48	2115472	SPACER (PCB) (M4)			
49	1796234	PAN HEAD TAPPING SCREW (M4)			
50	109688J	TRUSS HEAD TAPPING SCREW (M4)			
51	1786749	WASHER (FOR EARTH) (M4)			
52	4004935	PAN HEAD TAPPING SCREW (3) (M4)			
53	2493800	COVER/ SWITCH BOX (M4)			
54	2535325	PRINTED CIRCUIT BOARD ASSY. (M4)			
55	4022184	PRINTED CIRCUIT BOARD ASSY. (SERVICE) (M4)			
56	2493817	THERMISTOR ASSY. (M4)			
57	2493824	WIRE HARNESS (POWER) (M4)			

Expanded Model Nomenclature

M1 - DZ17VSA181BA
M2 - DZ17VSA241BA
M3 - DZ17VSA301BA
M4 - DZ17VSA361BA
M5 - DZ17VSA421BA
M6 - DZ17VSA481BA
M7 - DZ17VSA601BA

DZ17VSA421 / DZ17VSA481
DZ17VSA421BA / DZ17VSA481BA



Reference #	Drawing #
1	A1
2	A2
3	A3
4	A4
5	A5
6	A6
7	A7
8	A8
9	A9
10	B1
11	B2
12	B3
13	B3-1
14	B4
15	B4-1
16	B4-1-1
17	B4-2
18	B4-2-1
19	B4-3
20	B4-3-1
21	B4-3-2
22	B4-4
23	B4-5
24	B4-6
25	B4-6-1
26	B4-6-2
27	B4-7
28	B4-8
29	B4-9
30	B5
31	B5-1
32	B5-1-1
33	B5-1-2
34	B5-1-3
35	B5-2
36	B5-4
37	B6
38	B6-1
39	B7
40	C1
41	C2
42	C3
43	C4
44	E2
45	E3
46	E4
47	E5
48	E6
49	E7
50	E8
51	E9
52	E10
53	E11
54	E12
55	E13
56	E15
57	E16
58	E17
59	E18
60	E19
61	E20
62	E21
63	E22
64	E23
65	E24
66	E25
67	E28
68	E28-1
69	E30
70	E35
71	F1
72	F2
73	F3
74	F4
75	F5
76	F6
77	F7
78	F8
79	F9
80	F11
81	F12
82	F13
83	F17
84	F19
85	F20
86	F21
87	F22
88	F23
89	F24
90	F25
91	F26
92	F27
93	F33
94	F34
95	F35
96	F36
97	F51
98	F52
99	F53
100	F54
101	K1
102	K2

DZ17VSA421 / DZ17VSA481

Ref. Part No:	Ref. Part No:	Description:	Description:
Image 1:		Image 1:	
1	4025333	COMPRESSOR ASSY. (M5, M6)	55 2494687 RIVET (M5, M6)
2	2274364	RUBBER VIBRATION ISOLATOR ASSY. (M5, M6)	56 2493956 COIL/ ELECTRONIC EXP. VALVE (M5, M6)
3	2119809	COMPRESSOR MOUNTING BOLT (M5, M6)	57 2493855 COIL/ FOUR WAY VALVE (M5, M6)
4	4010410	WASHER (NUT WITH WASHER) (M5, M6)	58 2493963 WIRE HARNESS ASSY. (PCB-OL CONNECTION) (M5, M6)
5	2493918	COMPRESSOR SOUNDPROOF (M5, M6)	
6	4024830	SOUND ABSORBING MATERIAL (M5, M6)	59 5009491 FERRITE CORE (M5, M6)
7	076850J	SET BOLT/ COMPRESSOR (M5, M6)	60 2285629 COIL/ SOLENOID VALVE (M5, M6)
8	040139J	RUBBER BUSH/ LEAD WIRE (M5, M6)	61 113783J TAPPING SCREW (M5, M6)
9	2425597	TERMINAL COVER (M5, M6)	62 352004 WIRE CLIP (M5, M6)
10	2534505	HEAT EXCHANGER ASSY. (M5, M6)	63 827920J TAPPING SCREW (M5, M6)
11	2425737	ACCUMULATOR ASSY. (M5, M6)	64 099951J EDGE SADDLE (M5, M6)
12	NA	SUCTION PIPE ASSY. (M5, M6)	65 094708J EDGE SADDLE (M5, M6)
13	4022182	PRESSURE SENSOR (M5, M6)	66 2534508 WIRE HARNESS ASSY. (HPS) (M5, M6)
14	NA	FOUR WAY VALVE ASSY. (M5, M6)	67 2433017 RETAINER ASSY. (M5, M6)
15	NA	GAS STOP VALVE ASSY. (M5, M6)	68 2428527 RADIATION SHEET (M5, M6)
16	4022880	STOP VALVE (M5, M6)	69 4022882 DC FAN MOTOR (M5, M6)
17	NA	SUCTION PIPE ASSY. (1) (M5, M6)	70 1233757 LOCKING CARD SPACER (M5, M6)
18	094867J	SERVICING PORT ASSY. (M5, M6)	71 NA BOTTOM FRAME ASSY. (M5, M6)
19	NA	DISCHARGE PIPE ASSY. (M5, M6)	72 2493970 FRONT PLATE (2) (M5, M6)
20	107638J	CHECK VALVE (M5, M6)	73 2493987 SIDE PLATE (RIGHT) (M5, M6)
21	2534448	HIGH PRESSURE SWITCH (M5, M6)	74 2493994 FRONT PLATE (1) (M5, M6)
22	1858062	BODY/ FOUR WAY VALVE (M5, M6)	75 2425814 PARTITION PLATE ASSY. (M5, M6)
23	1721122	FUSIBLE PLUG (M5, M6)	76 4020063 FAN MOTOR STAND ASSY. (M5, M6)
24	NA	REFRIGERANT PIPE ASSY. (HOT GAS) (M5, M6)	77 2494005 SIDE COVER (M5, M6)
25	2165965	BODY/ SOLENOID VALVE (M5, M6)	78 2425845 REAR COVER (M5, M6)
26	111167J	STRAINER (M5, M6)	79 092045J HANDLE (M5, M6)
27	980752J	PIPING WEIGHT (M5, M6)	80 4020038 COVER (M5, M6)
28	980761J	WEIGHT CLIP (M5, M6)	81 4009049 ANCHOR PLATE (M5, M6)
29	2535326	PIPING FIXTURE ASSY. (M5, M6)	82 2535327 PIPING FIXTURE ASSY. (M5, M6)
30	NA	ELECTRONIC EXP. VALVE ASSY. (M5, M6)	83 2494012 TOP PLATE (M5, M6)
31	NA	ELECTRONIC EXP. VALVE ASSY. (2) (M5, M6)	84 NA HEAD MACHINE SCREW (M5, M6)
32	2204606	BODY/ ELECTRONIC EXP. VALVE (M5, M6)	85 157132J THERMISTOR FIXING PLATE (M5, M6)
33	008529J	STRAINER (FOR REF.) (M5, M6)	86 4008212 MOUNTING PLATE (M5, M6)
34	038621J	CHECK VALVE (M5, M6)	87 042396J FITTING SPRING/ THERMISTOR (M5, M6)
35	2433132	PIPING FIXTURE (M5, M6)	88 2031411 FEELER BULB CLAMP (M5, M6)
36	2494649	LIQUID STOP VALVE ASSY. (M5, M6)	89 4011522 LABEL (M5, M6)
37	2494656	STOP VALVE MOUNTING PLATE (M5, M6)	90 007423J RETAINER/ THERMISTOR CLAMP (M5, M6)
38	2494098	WIRING PROTECTION BUSH (M5, M6)	91 2120405 HEX TAPPING SCREW (3) (M5, M6)
39	162753J	SCREW/ C TIGHT CUP (M5, M6)	92 NA TIE WRAP (M5, M6)
40	1864005	FAN BLADE (M5, M6)	93 1905191 HEX HEAD TAPPING (M5, M6)
41	847003J	LOCK NUT/ FAN (M5, M6)	94 049594J HEX HEAD TAPPING SCREW (M5, M6)
42	2425744	SUCTION GRILLE ASSY. (M5, M6)	95 131453J TRUSS HEAD TAPPING SCREW (M5, M6)
43	4022884	DISCHARGE GRILLE ASSY. (M5, M6)	96 4016867 HEX BOLT (M5, M6)
44	2425751	TERMINAL BLOCK (M5, M6)	97 2494029 CUSHION RUBBER (1) (M5, M6)
45	2425768	WIRE HARNESS ASSY. (FOR COMMUNICATION) (M5, M6)	98 2494036 CUSHION RUBBER (2) (M5, M6)
			99 2494043 CUSHION RUBBER (3) (M5, M6)
46	2534582	INSULATION SHEET (M5, M6)	100 2494050 CUSHION RUBBER (5) (M5, M6)
47	2425775	THERMISTOR (AIR) (M5, M6)	101 4015629 BRAND NAME LABEL (M5, M6)
48	2493932	THERMISTOR ASSY. (M5, M6)	102 2494067 GREASE ASSY. (M5, M6)
49	2425799	THERMISTOR (SUCTION) (M5, M6)	
50	2493949	WIRE HARNESS ASSY. (POWER) (M5, M6)	
51	2534507	PRINTED CIRCUIT BOARD ASSY. (M5)	
51	2535328	PRINTED CIRCUIT BOARD ASSY. (M6)	
52	4022883	WIRE HARNESS ASSY. (FOR COMP.) (M5, M6)	
53	119839J	TAPPING SCREW (M5, M6)	
54	071124J	CUP WASHER (M5, M6)	

DZ17VSA421 / DZ17VSA481

Ref. Part

No: No:

Description:

Ref. Part

No: No:

Description:

Expanded Model Nomenclature

M1 - DZ17VSA181BA

M2 - DZ17VSA241BA

M3 - DZ17VSA301BA

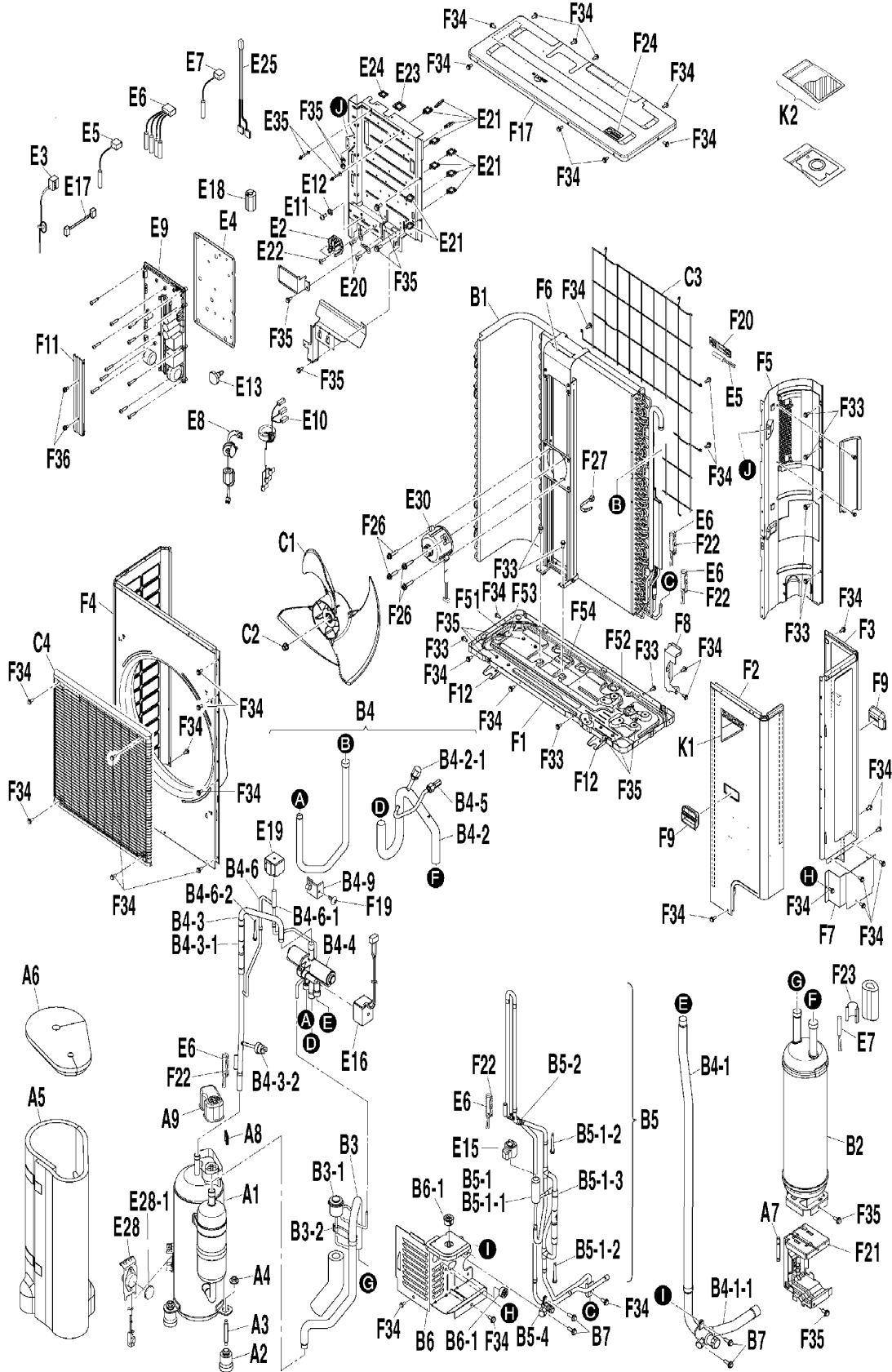
M4 - DZ17VSA361BA

M5 - DZ17VSA421BA

M6 - DZ17VSA481BA

M7 - DZ17VSA601BA

DZ17VSA601
DZ17VSA601BA



Reference #	Drawing #
1	A1
2	A2
3	A3
4	A4
5	A5
6	A6
7	A7
8	A8
9	A9
10	B1
11	B2
12	B3
13	B3-1
14	B3-2
15	B4
16	B4-1
17	B4-1-1
18	B4-2
19	B4-2-1
20	B4-3
21	B4-3-1
22	B4-3-2
23	B4-4
24	B4-5
25	B4-6
26	B4-6-1
27	B4-6-2
28	B4-9
29	B5
30	B5-1
31	B5-1-1
32	B5-1-2
33	B5-1-3
34	B5-2
35	B5-4
36	B6
37	B6-1
38	B7
39	C1
40	C2
41	C3
42	C4
43	E2
44	E3
45	E4
46	E5
47	E6
48	E7
49	E8
50	E9
51	E10
52	E11
53	E12
54	E13
55	E16
56	E16
57	E17
58	E18
59	E19
60	E20
61	E21
62	E22
63	E23
64	E24
65	E25
66	E28
67	E28-1
68	E30
69	E35
70	F1
71	F2
72	F3
73	F4
74	F5
75	F6
76	F7
77	F8
78	F9
79	F11
80	F12
81	F17
82	F19
83	F20
84	F21
85	F22
86	F23
87	F24
88	F26
89	F27
90	F33
91	F34
92	F35
93	F36
94	F51
95	F52
96	F53
97	F54
98	K1
99	K2

DZ17VSA601

Ref. Part No:	Ref. Part No:	Description:	Description:								
Image 1:		Image 1:									
1	4025334	COMPRESSOR ASSY. (M7)	56 2493855	COIL/ FOUR WAY VALVE (M7)							
2	2274364	RUBBER VIBRATION ISOLATOR ASSY. (M7)	57 2493963	WIRE HARNESS ASSY. (PCB-OL CONNECTION) (M7)							
3	2119809	COMPRESSOR MOUNTING BOLT (M7)									
4	4010410	WASHER (NUT WITH WASHER) (M7)	58 5009491	FERRITE CORE (M7)							
5	2493918	COMPRESSOR SOUNDPROOF (M7)	59 2285629	COIL/ SOLENOID VALVE (M7)							
6	4024830	SOUND ABSORBING MATERIAL (M7)	60 113783J	TAPPING SCREW (M7)							
7	076850J	SET BOLT/ COMPRESSOR (M7)	61 352004	WIRE CLIP (M7)							
8	040139J	RUBBER BUSH/ LEAD WIRE (M7)	62 827920J	TAPPING SCREW (M7)							
9	2425597	TERMINAL COVER (M7)	63 099951J	EDGE SADDLE (M7)							
10	4025338	HEAT EXCHANGER ASSY. (M7)	64 094708J	EDGE SADDLE (M7)							
11	2425737	ACCUMULATOR ASSY. (M7)	65 2534508	WIRE HARNESS ASSY. (HPS) (M7)							
12	NA	SUCTION PIPE ASSY. (M7)	66 2433017	RETAINER ASSY. (M7)							
13	4022182	PRESSURE SENSOR (M7)	67 2428527	RADIATION SHEET (M7)							
14	2535329	PIPING FIXTURE ASSY. (M7)	68 4022882	DC FAN MOTOR (M7)							
15	NA	FOUR WAY VALVE ASSY. (M7)	69 1233757	LOCKING CARD SPACER (M7)							
16	NA	GAS STOP VALVE ASSY. (M7)	70 NA	BOTTOM FRAME ASSY. (M7)							
17	4022880	STOP VALVE (M7)	71 2493970	FRONT PLATE (2) (M7)							
18	NA	SUCTION PIPE ASSY. (1) (M7)	72 2493987	SIDE PLATE (RIGHT) (M7)							
19	094867J	SERVICING PORT ASSY. (M7)	73 2493994	FRONT PLATE (1) (M7)							
20	NA	DISCHARGE PIPE ASSY. (M7)	74 2425814	PARTITION PLATE ASSY. (M7)							
21	107638J	CHECK VALVE (M7)	75 2425852	FAN MOTOR STAND ASSY. (M7)							
22	2534448	HIGH PRESSURE SWITCH (M7)	76 2494005	SIDE COVER (M7)							
23	1858062	BODY/ FOUR WAY VALVE (M7)	77 2425845	REAR COVER (M7)							
24	1721122	FUSIBLE PLUG (M7)	78 092045J	HANDLE (M7)							
25	NA	REFRIGERANT PIPE ASSY. (HOT GAS) (M7)	79 4020038	COVER (M7)							
26	2165965	BODY/ SOLENOID VALVE (M7)	80 4009049	ANCHOR PLATE (M7)							
27	111167J	STRAINER (M7)	81 2494012	TOP PLATE (M7)							
28	2535326	PIPING FIXTURE ASSY. (M7)	82 NA	HEAD MACHINE SCREW (M7)							
29	NA	ELECTRONIC EXP. VALVE ASSY. (M7)	83 157132J	THERMISTOR FIXING PLATE (M7)							
30	NA	ELECTRONIC EXP. VALVE ASSY. (2) (M7)	84 4008212	MOUNTING PLATE (M7)							
31	2204606	BODY/ ELECTRONIC EXP. VALVE (M7)	85 042396J	FITTING SPRING/ THERMISTOR (M7)							
32	008529J	STRAINER (FOR REF.) (M7)	86 2031411	FEELER BULB CLAMP (M7)							
33	038621J	CHECK VALVE (M7)	87 4011522	LABEL (M7)							
34	2433132	PIPING FIXTURE (M7)	88 2120405	HEX TAPPING SCREW (3) (M7)							
35	2494649	LIQUID STOP VALVE ASSY. (M7)	89 NA	TIE WRAP (M7)							
36	2494656	STOP VALVE MOUNTING PLATE (M7)	90 1905191	HEX HEAD TAPPING (M7)							
37	2494098	WIRING PROTECTION BUSH (M7)	91 049594J	HEX HEAD TAPPING SCREW (M7)							
38	162753J	SCREW/ C TIGHT CUP (M7)	92 131453J	TRUSS HEAD TAPPING SCREW (M7)							
39	1864005	FAN BLADE (M7)	93 4016867	HEX BOLT (M7)							
40	847003J	LOCK NUT/ FAN (M7)	94 2494029	CUSHION RUBBER (1) (M7)							
41	2425744	SUCTION GRILLE ASSY. (M7)	95 2494036	CUSHION RUBBER (2) (M7)							
42	4022884	DISCHARGE GRILLE ASSY. (M7)	96 2494043	CUSHION RUBBER (3) (M7)							
43	2425751	TERMINAL BLOCK (M7)	97 2494081	CUSHION RUBBER (4) (M7)							
44	2425768	WIRE HARNESS ASSY. (FOR COMMUNICATION) (M7)	98 4015629	BRAND NAME LABEL (M7)							
			99 2494067	GREASE ASSY. (M7)							
45	2534582	INSULATION SHEET (M7)	Expanded Model Nomenclature								
46	2425775	THERMISTOR (AIR) (M7)	<table border="1"> <tr> <td>M1 - DZ17VSA181BA</td> </tr> <tr> <td>M2 - DZ17VSA241BA</td> </tr> <tr> <td>M3 - DZ17VSA301BA</td> </tr> <tr> <td>M4 - DZ17VSA361BA</td> </tr> <tr> <td>M5 - DZ17VSA421BA</td> </tr> <tr> <td>M6 - DZ17VSA481BA</td> </tr> <tr> <td>M7 - DZ17VSA601BA</td> </tr> </table>		M1 - DZ17VSA181BA	M2 - DZ17VSA241BA	M3 - DZ17VSA301BA	M4 - DZ17VSA361BA	M5 - DZ17VSA421BA	M6 - DZ17VSA481BA	M7 - DZ17VSA601BA
M1 - DZ17VSA181BA											
M2 - DZ17VSA241BA											
M3 - DZ17VSA301BA											
M4 - DZ17VSA361BA											
M5 - DZ17VSA421BA											
M6 - DZ17VSA481BA											
M7 - DZ17VSA601BA											
47	2493932	THERMISTOR ASSY. (M7)									
48	2425799	THERMISTOR (SUCTION) (M7)									
49	2493949	WIRE HARNESS ASSY. (POWER) (M7)									
50	2535330	PRINTED CIRCUIT BOARD ASSY. (M7)									
51	4022883	WIRE HARNESS ASSY. (FOR COMP.) (M7)									
52	119839J	TAPPING SCREW (M7)									
53	071124J	CUP WASHER (M7)									
54	2494687	RIVET (M7)									
55	2493956	COIL/ ELECTRONIC EXP. VALVE (M7)									