

## Accessory Parts

HAUL100  
HAUL6080  
HGDRSMGULN01FI  
HGDRSMGULN02FI  
LACKSM001  
LACKSM002  
LACKSM003  
LACKSM004  
LACKSM005  
LACKSM006

## ACCESSORY PARTS LIST

## RP-FIOPS1



This manual is to be used by qualified technicians only.

# Important Information

---

## Index

Functional Parts List .....	3
Illustration and Parts .....	4 - 9

*Views shown are for parts illustrations only, not servicing procedures.*

### Text Codes:

AR - As Required

NA - Not Available

NS - Not Shown

00000000 - See Note

QTY - Quantity Example (QTY 3) (If Quantity not shown, Quantity = 1)

M - Model Example (M1) (If M Code not shown, then part is used on all Models)

### Expanded Model Nomenclature:

Example
M1 - Model#1
M2 - Model#2
M3 - Model#3

Daikin Comfort Technologies Manufacturing , L.P. is not responsible for personal injury or property damage resulting from improper service. Review all service information before beginning repairs.

Warranty service must be performed by an authorized technician, using authorized factory parts. If service is required after the warranty expires, Daikin Comfort Technologies Manufacturing , L.P. also recommends contacting an authorized technician and using authorized factory parts.

Daikin Comfort Technologies Manufacturing , L.P. reserves the right to discontinue, or change at any time, specifications or designs without notice or without incurring obligations.

For assistance within the U.S.A. contact:  
Equipment Support  
Daikin Comfort Technologies Manufacturing , L.P.  
19001 Kermier Road  
Waller, Texas 77484  
855-770-5678-Telephone  
713-863-2382-Facsimile

For assistance outside the U.S.A. contact:  
International Division  
Daikin Comfort Technologies Manufacturing , L.P.  
19001 Kermier Road  
Waller, Texas 77484  
713-861-2500-Telephone  
713-863-2382-Facsimile

# Functional Parts

## Part

## No: Description:

---

0130M00178	DPDT RELAY 24VAC (M5, M6, M7, M8, M9, M10)
0130L00281	ID PLUG (M2)
0130L00280	ID PLUG (M1)
10135604	RELAY (M8, M9, M10)
0130L00279	SWITCH PRESSURE (M5, M6, M7, M8, M9, M10)
0130L00282	SWITCH TEMPERATURE (M5, M6, M7, M8, M9, M10)

### SPECIAL PARTS

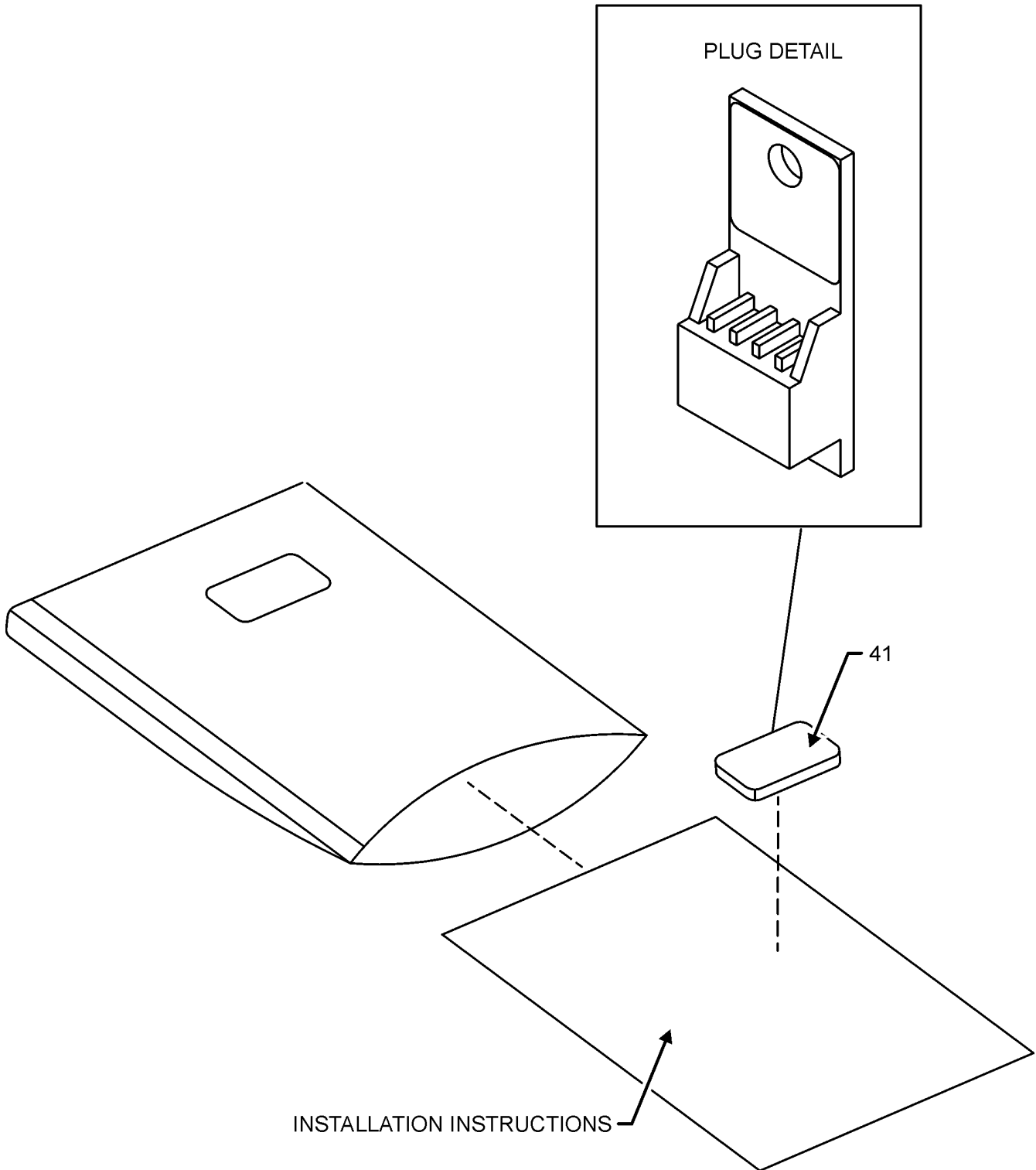
IOD-7140A	INSTALLATION INSTRUCTIONS (M5, M6, M7, M8, M9, M10)
IO-7016	INSTALLATION INSTRUCTIONS (M1, M2)

### Expanded Model Nomenclature

M1 - HAUL100
M2 - HAUL6080
M3 - HGDRSMGULN01FI
M4 - HGDRSMGULN02FI
M5 - LACKSM001
M6 - LACKSM002
M7 - LACKSM003
M8 - LACKSM004
M9 - LACKSM005
M10 - LACKSM006

# HIGH ALTITUDE KIT

HIGH ALTITUDE KIT



HIGH ALTITUDE KIT MAY DIFFER FROM WHAT IS SHOWN

# HIGH ALTITUDE KIT

Ref. Part No:	No:	Description:	Ref. Part No:	No:	Description:
---------------	-----	--------------	---------------	-----	--------------

---

**Image 1:**

41	0130L00280	ID PLUG (M1)
41	0130L00281	ID PLUG (M2)
NS	IO-7016	INSTALLATION INSTRUCTIONS (M1, M2)

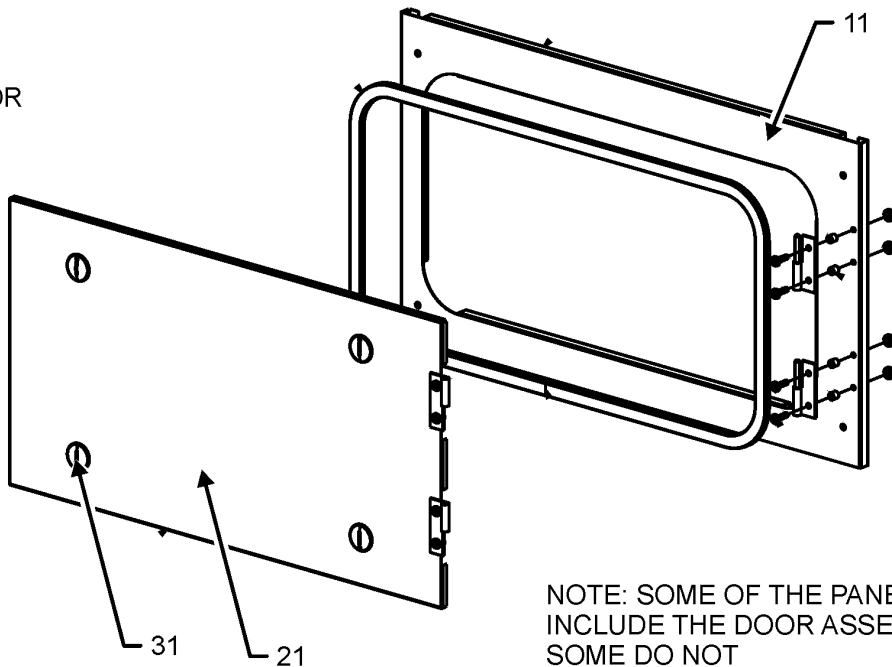
**Expanded Model Nomenclature**

- M1 - HAUL100
- M2 - HAUL6080
- M3 - HGDRSMGULN01FI
- M4 - HGDRSMGULN02FI
- M5 - LACKSM001
- M6 - LACKSM002
- M7 - LACKSM003
- M8 - LACKSM004
- M9 - LACKSM005
- M10 - LACKSM006

# HINGED DOOR ASSEMBLIES

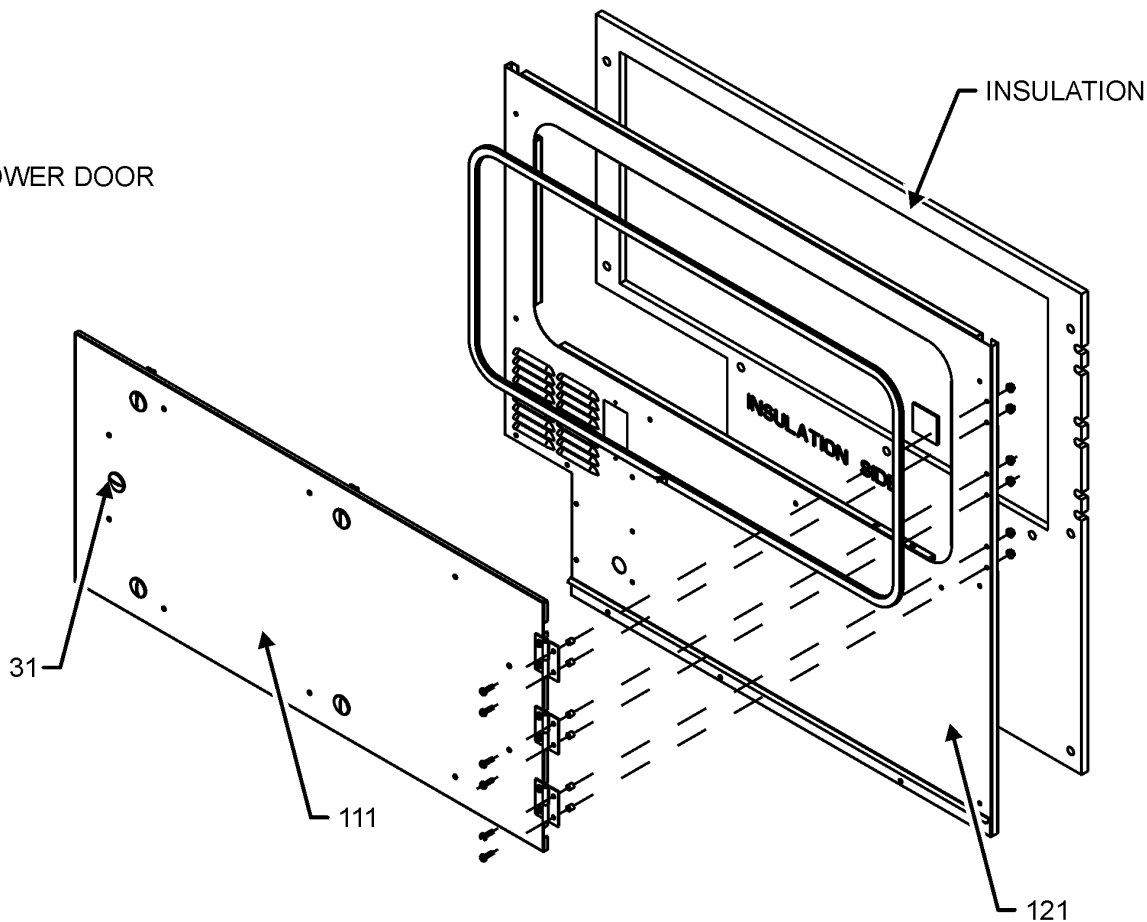
HINGE DOOR ASSEMBLIES

CONTROL DOOR



NOTE: SOME OF THE PANEL ASSEMBLIES INCLUDE THE DOOR ASSEMBLY AND SOME DO NOT

BLOWER DOOR



HINGED DOOR ASSEMBLY MAY DIFFER FROM WHAT IS SHOWN

# HINGED DOOR ASSEMBLIES

Ref. Part No:	No:	Description:	Ref. Part No:	No:	Description:
---------------	-----	--------------	---------------	-----	--------------

---

**Image 1:**

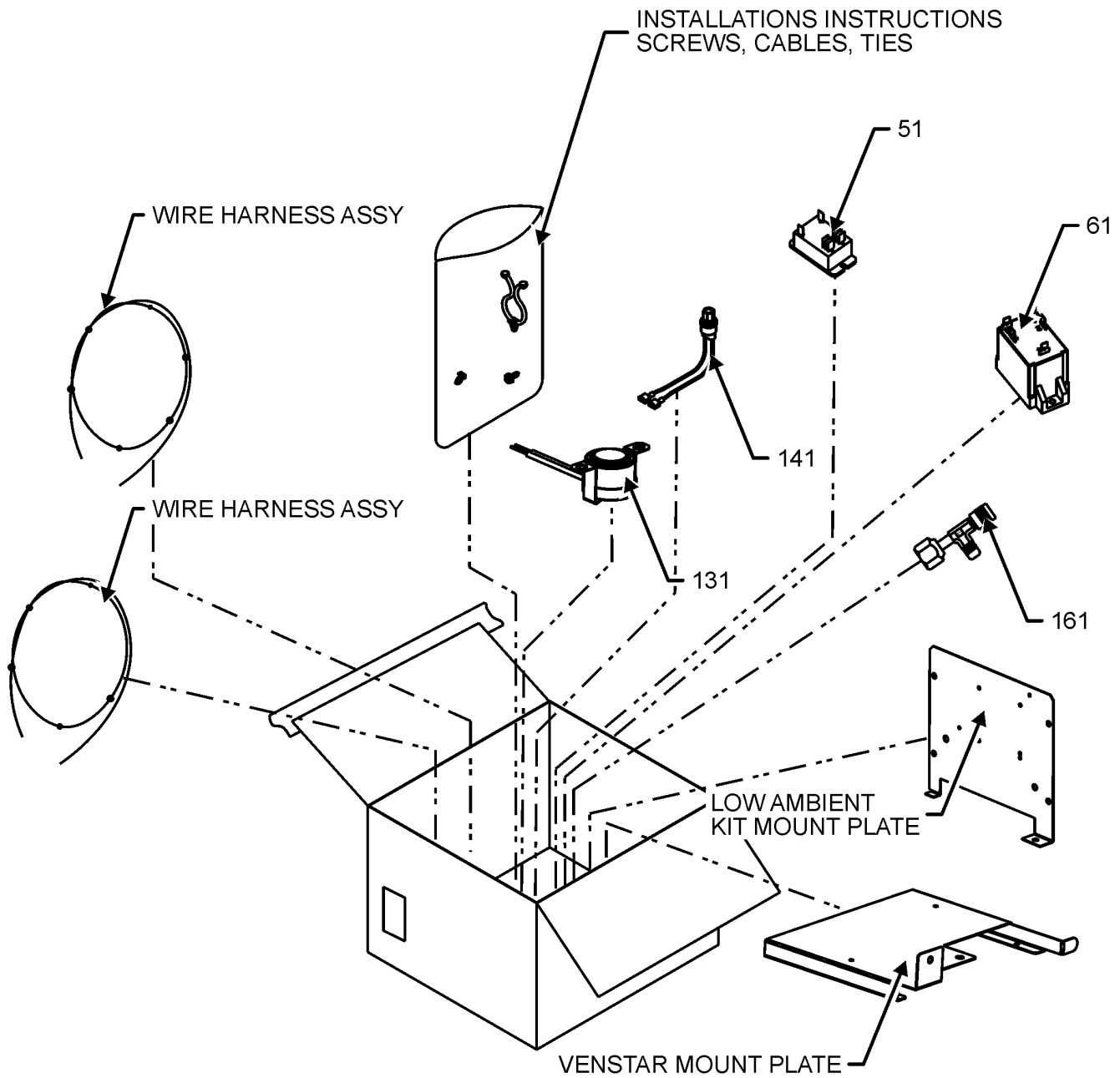
11	0270L02001	ASSY CONTROL BOX DOOR (M3, M4)
21	0270L02038	ASSY CONTROL BOX DOOR (M3, M4)
31	0163L00266	LATCH (M3, M4)
111	0270L02036	ASSY BLOWER DOOR (M4)
111	0270L02037	ASSY BLOWER DOOR (M3)
121	0270L02257	ASSY GAS BLOWER PANEL (M3)
121	0270L02258	ASSY GAS BLOWER PANEL (M4)

**Expanded Model Nomenclature**

- M1 - HAUL100
- M2 - HAUL6080
- M3 - HGDRSMGULN01FI
- M4 - HGDRSMGULN02FI
- M5 - LACKSM001
- M6 - LACKSM002
- M7 - LACKSM003
- M8 - LACKSM004
- M9 - LACKSM005
- M10 - LACKSM006

# LOW AMBIENT KIT

## LOW AMBIENT KIT



LOW AMBIENT KIT MAY DIFFER FROM WHAT IS SHOWN



# LOW AMBIENT KIT

Ref. Part No:	No:	Description:	Ref. Part No:	No:	Description:
<b>Image 1:</b>					
51	0130M00178	DPDT RELAY 24VAC (M5, M6, M7, M8, M9, M10)			
61	10135604	RELAY (M8, M9, M10)			
131	0130L00282	SWITCH TEMPERATURE (M5, M6, M7, M8, M9, M10)			
141	0130L00279	SWITCH PRESSURE (M5, M6, M7, M8, M9, M10)			
161	B1373306	1/4 SWIVEL TEE (M5, M6, M7, M8, M9, M10)			
NS	IOD-7140A	INSTALLATION INSTRUCTIONS (M5, M6, M7, M8, M9, M10)			

## Expanded Model Nomenclature

- M1 - HAUL100
- M2 - HAUL6080
- M3 - HGDRSMGULN01FI
- M4 - HGDRSMGULN02FI
- M5 - LACKSM001
- M6 - LACKSM002
- M7 - LACKSM003
- M8 - LACKSM004
- M9 - LACKSM005
- M10 - LACKSM006