



# REPAIR PARTS

---

## GSX16 "S" Remote Condensing Unit

GSX16S181AA  
GSX16S241AA  
GSX16S301AA  
GSX16S301AB  
GSX16S361AA  
GSX16S421AA  
GSX16S481AA



This manual is to be used by qualified technicians only.

This manual replaces RP-G4320B.

© 2018 - 2019 Goodman Manufacturing Company, L.P. ♦ 5151 San Felipe St, Suite 500 ♦ Houston, TX 77056

# Important Information

---

## Index

Functional Parts List .....	3
Illustration and Parts .....	4 - 9

*Views shown are for parts illustrations only, not servicing procedures*

### Text Codes:

AR - As Required

NA - Not Available

NS - Not Shown

00000000 - See Note

QTY - Quantity Example (QTY 3) (If Quantity not shown, Quantity = 1)

M - Model Example (M1) (If M Code not shown, then part is used on all Models)

### Expanded Model Nomenclature:

Example M1 - Model#1 M2 - Model#2 M3 - Model#3
---

Goodman Manufacturing Company, L.P. is not responsible for personal injury or property damage resulting from improper service. Review all service information before beginning repairs.

Warranty service must be performed by an authorized technician, using authorized factory parts. If service is required after the warranty expires, Goodman Manufacturing Company, L.P. also recommends contacting an authorized technician and using authorized factory parts.

Goodman Manufacturing Company, L.P. reserves the right to discontinue, or change at any time, specifications or designs without notice or without incurring obligations.

For assistance within the U.S.A. contact:  
Homeowner Support  
Goodman Manufacturing Company, L.P.  
19001 Kermier Road  
Waller, Texas 77484  
877-254-4729-Telephone  
713-863-2382-Facsimile

For assistance outside the U.S.A. contact:  
International Division  
Goodman Manufacturing Company, L.P.  
19001 Kermier Road  
Waller, Texas 77484  
713-861-2500-Telephone  
713-863-2382-Facsimile

# Functional Parts

## Part

**No:**                    **Description:**

---

50N382YV-ZAKQ	1.5T RECHI COMPRESSOR (4-LEGS) (M1)
50N492ZV-ZAKM	2.0TONRECHI COMPR.4 LEGS (M2)
0151R00081	7/8" BALL VALVE (M7)
0151R00079	BASE VALVE 3/4" (M1, M2)
0151R00167	BASE VALVE 3/8"
0151R00080	BASE VALVE 7/8" (M3, M4, M5, M6)
CAP050350440CS	CAPACITOR 5/35/440V (M1)
CAP050400440CT	CAPACITOR 5/40/440V/DUAL RD (M3, M4)
CAP050450440CT	CAPACITOR 5/45/440V/DUAL RD (M2, M5, M6, M7)
0130R00116	CAPACITOR, HARD START (M1, M2)
ZP24K5EPFV130	COMP,24000,208/230/60/1 (M3, M4)
ZP29K5EPFV130	COMP,29000,208/230/60/1 (M5)
ZP34K5EPFV130	COMPRESSOR 34500, 208/230/60/1 (M6)
ZP36K5EPFV130	COMPRESSOR 36200, 208/230/60/1 (M7)
CONT1P025024V	CONTACTOR 25 AMP, 1P, 24V (M1, M2, M5)
CONT1P030024V	CONTACTOR 30 AMP, 1P, 24V (M3, M4, M6, M7)
0150M00008	FAN BLADE 22" TNT2203-25 (M1, M2, M3, M4, M5)
0150M00054	FAN BLADE, 26" (M6, M7)
0131M00807	MOTOR, 1/4HP, 1SP, 8PL, AL (M7)
0131M00753	MOTOR, 1/6HP, 1SP, 8PL, AL (M1, M2, M3, M4, M5, M6)
0130M00441	RELAY, HARD START (M1, M2)

## SPECIAL PARTS

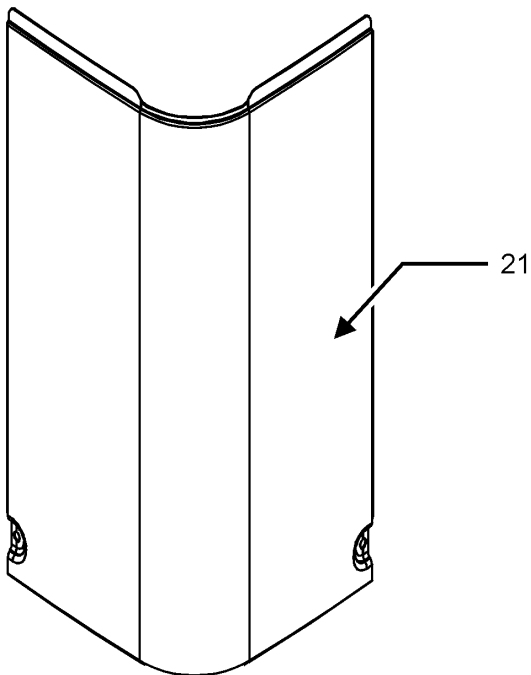
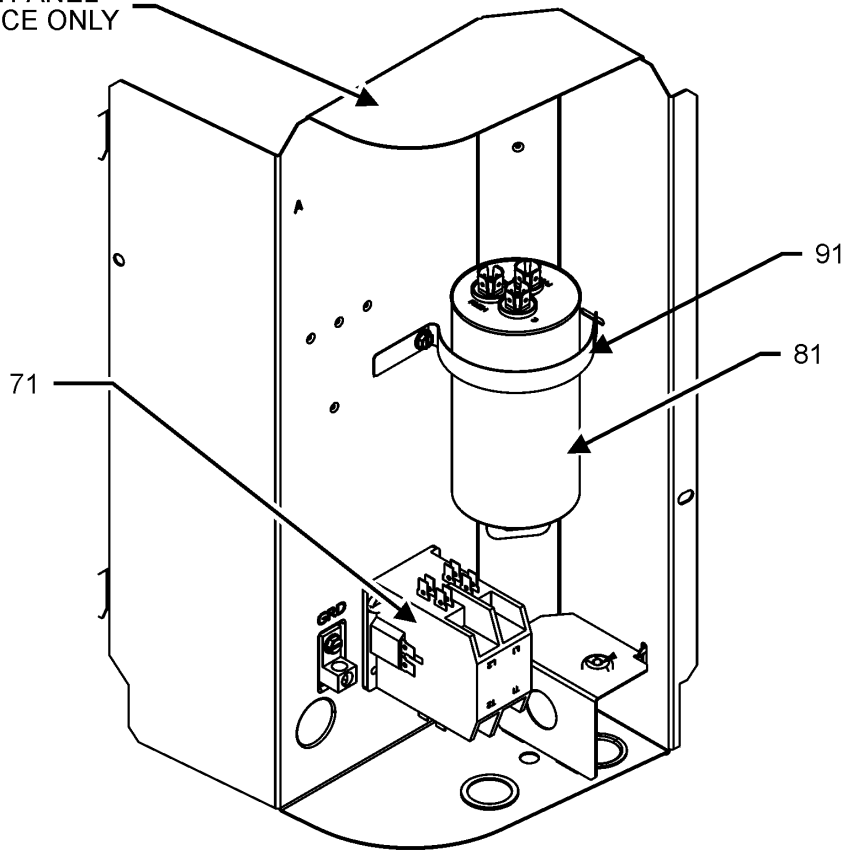
0161R00092            NAMEPLATE, GOODMAN

## Expanded Model Nomenclature

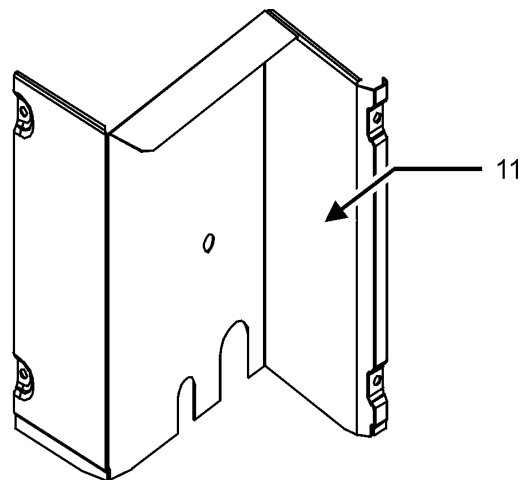
- |                  |
|------------------|
| M1 - GSX16S181AA |
| M2 - GSX16S241AA |
| M3 - GSX16S301AA |
| M4 - GSX16S301AB |
| M5 - GSX16S361AA |
| M6 - GSX16S421AA |
| M7 - GSX16S481AA |

# Control Box Assembly

CONTROL PANEL  
REFERENCE ONLY



UPPER PANEL ACCESS



LOWER PANEL ACCESS

# Control Box Assembly

Ref. Part No:	No:	Description:	Ref. Part No:	No:	Description:
---------------	-----	--------------	---------------	-----	--------------

---

**Image 1:**

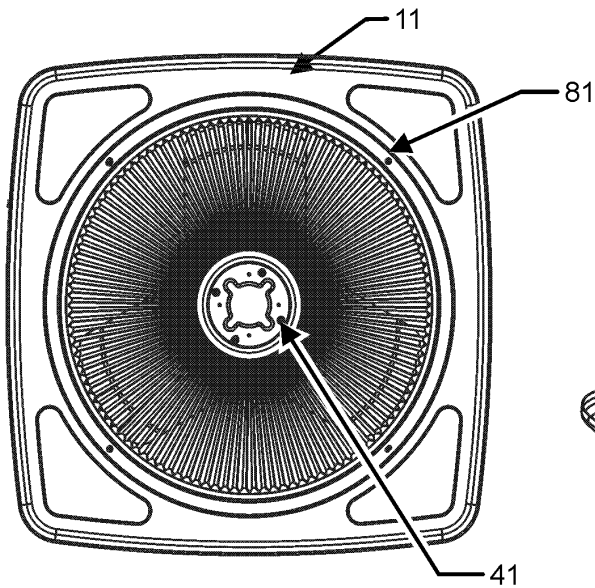
11	0121R00316PDG	LOWER ACCESS PANEL (M5, M7)
11	0121R00319PDG	LOWER ACCESS PANEL (M3, M4, M6)
11	0121R00663PDG	LOWER ACCESS PANEL (M1, M2)
21	0121R00053PDG	CONTROL COVER
71	CONT1P025024V	CONTACTOR 25 AMP, 1P, 24V (M1, M2, M5)
71	CONT1P030024V	CONTACTOR 30 AMP, 1P, 24V (M3, M4, M6, M7)
81	CAP050350440CS	CAPACITOR 5/35/440V (M1)
81	CAP050400440CT	CAPACITOR 5/40/440V/DUAL RD (M3, M4)
81	CAP050450440CT	CAPACITOR 5/45/440V/DUAL RD (M2, M5, M6, M7)
91	4400065	CAPACITOR STRAP
NS	0130R00116	CAPACITOR, HARD START (M1, M2)
NS	0161R00092	NAMEPLATE, GOODMAN
NS	0130M00441	RELAY, HARD START (M1, M2)

**Expanded Model Nomenclature**

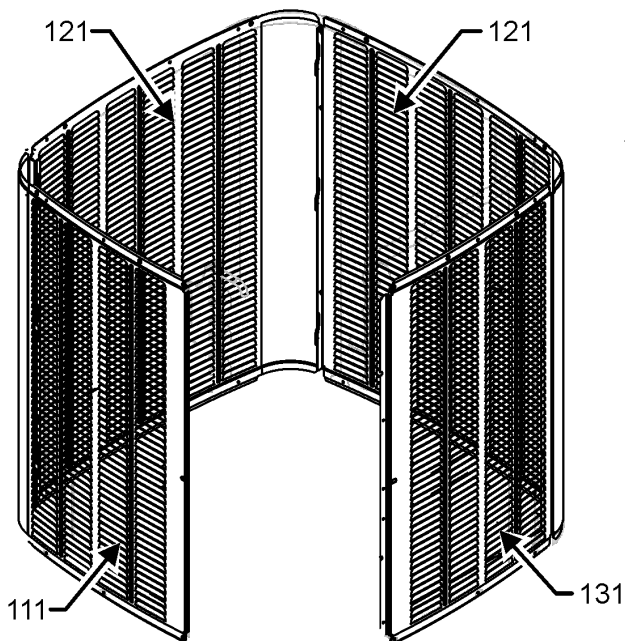
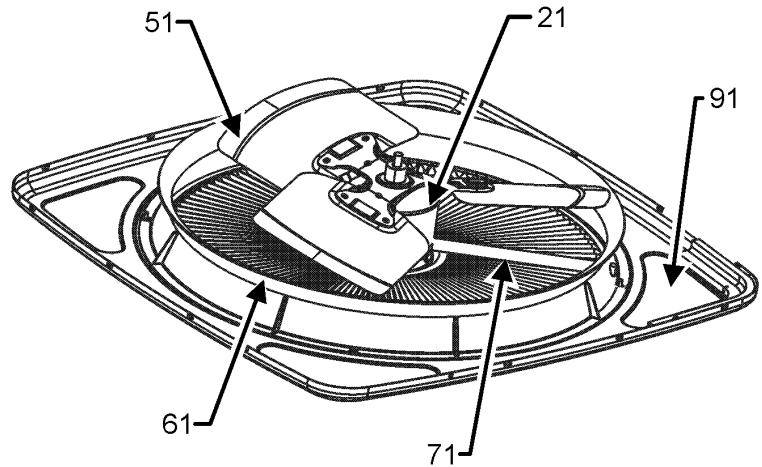
M1 - GSX16S181AA
M2 - GSX16S241AA
M3 - GSX16S301AA
M4 - GSX16S301AB
M5 - GSX16S361AA
M6 - GSX16S421AA
M7 - GSX16S481AA

# Cabinet Top and Louver Side Panel Assy

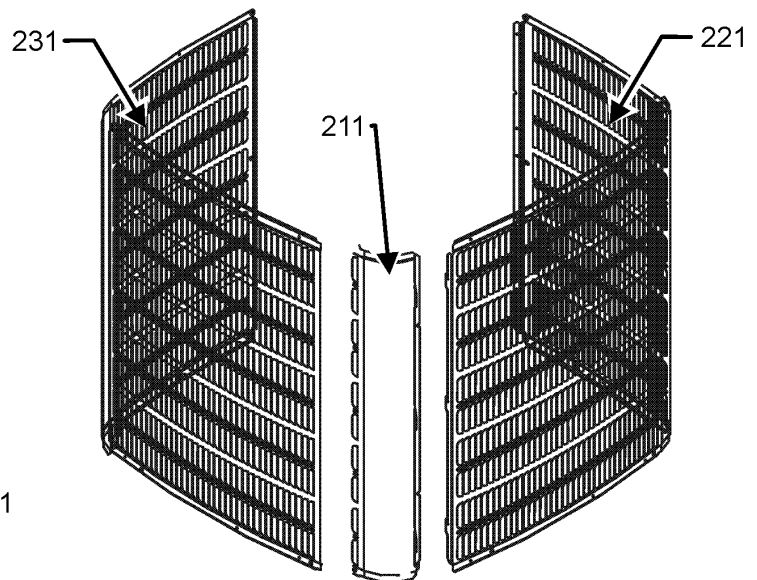
TOP PANEL ASSEMBLY  
TOP VIEW



TOP PANEL ASSEMBLY  
BOTTOM VIEW



LOUVER PANEL ASSEMBLY  
STYLE 1



LOUVER PANEL ASSEMBLY  
STYLE 2

# Cabinet Top and Louver Side Panel Assy

Ref. Part No: No:	Description:	Ref. Part No: No:	Description:
-------------------	--------------	-------------------	--------------

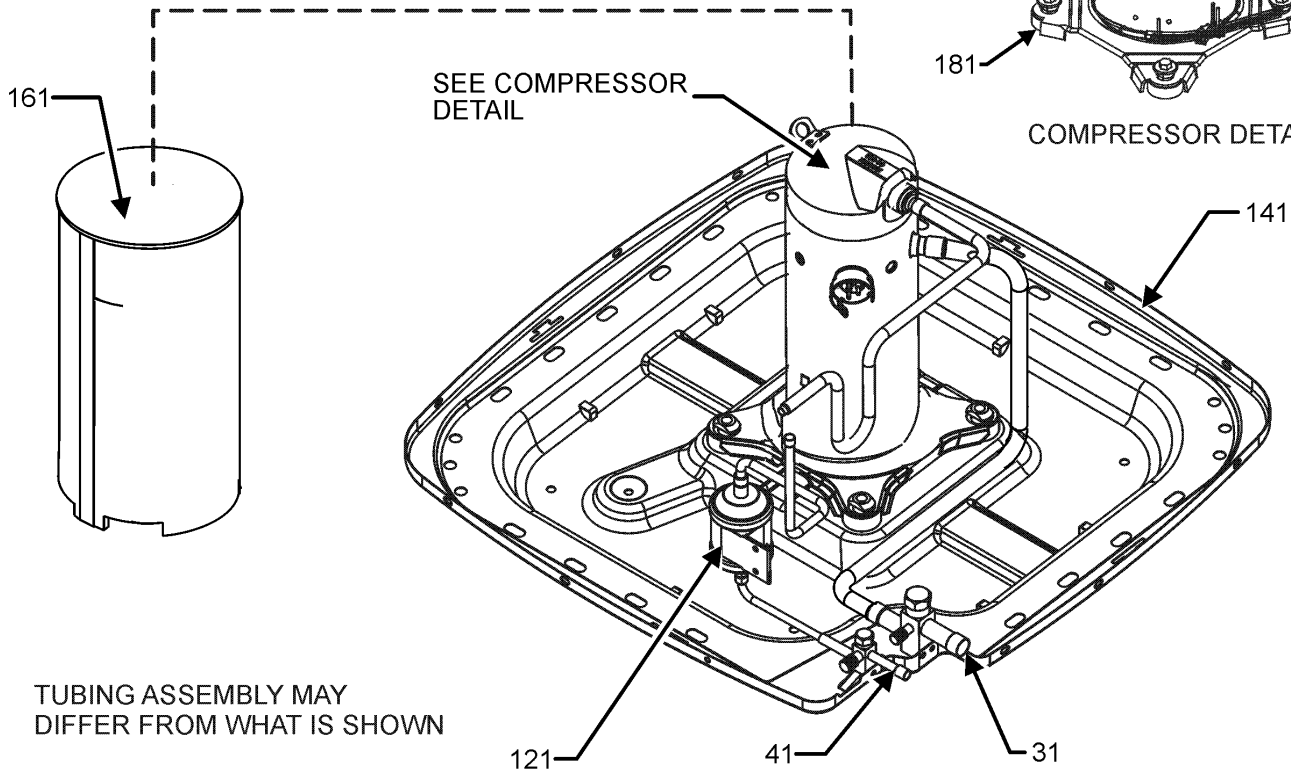
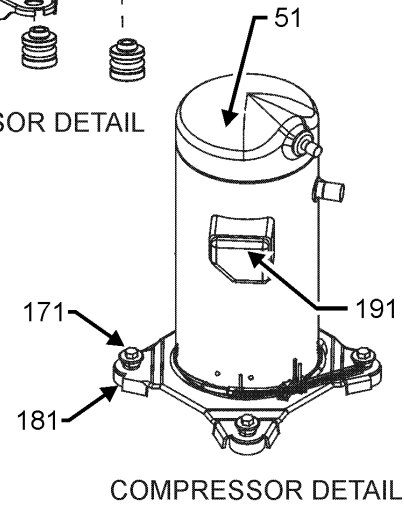
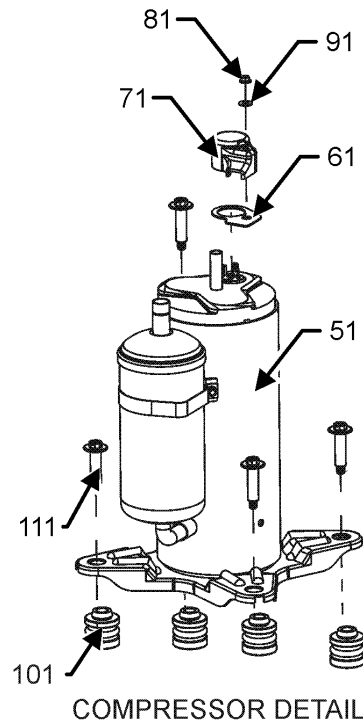
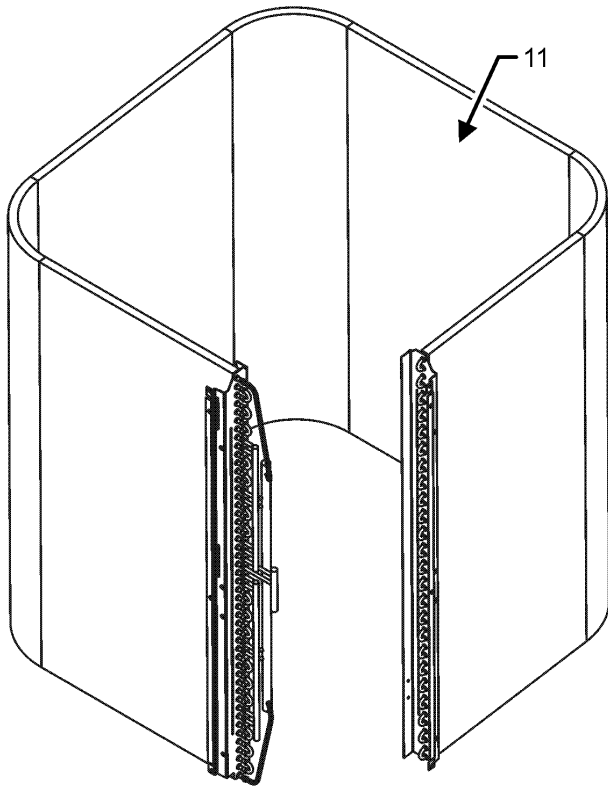
**Image 1:**

11	0121R00010PDG	TOP PANEL 29" (M1, M2, M3, M4, M5)
11	0121R00269PDG	Top Panel, 35" Pnt (M6, M7)
21	0131M00807	MOTOR, 1/4HP, 1SP, 8PL, AL (M7)
21	0131M00753	MOTOR, 1/6HP, 1SP, 8PL, AL (M1, M2, M3, M4, M5, M6)
41	0163M00006P	ACORN NUT 5/16 HEX BLACK (QTY 4)
51	0150M00008	FAN BLADE 22" TNT2203-25 (M1, M2, M3, M4, M5)
51	0150M00054	FAN BLADE, 26" (M6, M7)
61	0161L00000	VENTURI RING 22" (M1, M2, M3, M4, M5)
61	0161R00007P	VENTURI RING 35" (M6, M7)
71	0161R00002P	CONDUIT (M1, M2, M3, M4, M5)
71	0161R00004P	CONDUIT (M6, M7)
81	0163M00004	SCREW #10X3/4", BLACK (QTY 4)
91	0154R00006	GASKET, CONTROL PANEL
111	0121R00228PDGB	LOUVERED SIDE PANEL [LT OF CNTL PNL] (M6)
111	0121R00229PDGB	LOUVERED SIDE PANEL [LT OF CNTL PNL] (M7)
121	0121R00232PDGB	LOUVERED PANEL (M7)
121	0121R00231PDGB	LOUVERED SIDE PANEL (M6)
131	0121R00234PDG	LOUVERED SIDE PANEL [RT OF CNTL PNL] (M6)
131	0121R00235PDG	LOUVERED SIDE PANEL [RT OF CNTL PNL] (M7)
211	0121R00350PDG	Louver Post, PD G 28.73 (M1, M2)
211	0121R00352PDG	Louver Post, PD G 32.51 (M3, M4)
211	0121R00354PDG	Louver Post, PD G 36.30 (M5)
221	0121R00342PDGRS	Louver Panel, PD G 29" _28.73 (M1, M2)
221	0121R00344PDGRS	Louver Panel, PD G 29" _32.51 (M3, M4)
221	0121R00346PDGRS	Louver Panel, PD G 29" _36.30 (M5)
231	0121R00342PDGLS	LOUVERED PANEL (M1, M2)
231	0121R00344PDGLS	LOUVERED PANEL (M3, M4)
231	0121R00346PDGLS	LOUVERED PANEL (M5)
NS	0163M00005P	WASHER, BLACK (.50 OD .218D) (QTY 4)

**Expanded Model Nomenclature**

M1 - GSX16S181AA
M2 - GSX16S241AA
M3 - GSX16S301AA
M4 - GSX16S301AB
M5 - GSX16S361AA
M6 - GSX16S421AA
M7 - GSX16S481AA

# Compressor and Tubing Assembly





# Compressor and Tubing Assembly

Ref. Part No:	Ref. Part No:	Description:	Description:
---------------	---------------	--------------	--------------

**Image 1:**

11	0201R00236	COIL TUBING ASSY (M5)
11	0201R00296	COIL TUBING ASSY (M1, M2)
11	0201R00311	COIL TUBING ASSY (M6)
11	0201R00315	COIL TUBING ASSY (M3, M4)
11	0201R00433	COIL TUBING ASSY (M7)
31	0151R00081	7/8" BALL VALVE (M7)
31	0151R00079	BASE VALVE 3/4" (M1, M2)
31	0151R00080	BASE VALVE 7/8" (M3, M4, M5, M6)
41	0151R00167	BASE VALVE 3/8"
51	50N382YV-ZAKQ	1.5T RECHI COMPRESSOR (4-LEGS) (M1)
51	50N492ZV-ZAKM	2.0TONRECHI COMPRESSOR 4 LEGS (M2)
51	ZP24K5EPFV130	COMP,24000,208/230/60/1 (M3, M4)
51	ZP29K5EPFV130	COMP,29000,208/230/60/1 (M5)
51	ZP34K5EPFV130	COMPRESSOR 34500, 208/230/60/1 (M6)
51	ZP36K5EPFV130	COMPRESSOR 36200, 208/230/60/1 (M7)
61	60100107	TERMINAL COVER GASKET (M1, M2)
71	60100317	TERMINAL COVER (M1, M2)
81	60100401	TERMINAL NUT - RECHI COMP (M1, M2)
91	60100201	WASHER - RECHI COMPRESSOR (M1, M2)
101	60140209	GROMMET - RECHI COMPRESSOR (M1, M2)
111	0163M00186	SCREW-SHOULDER TF (M1, M2)
121	0162R00009	FILTER DRIER
141	0121R00006PDG	BASE PAN 29" (M1, M2, M3, M4, M5)
141	0121R00007PDG	BASE PAN 35" (M6, M7)
161	0160M00012	COMPRESSOR BLANKET (M1, M2)
171	M0221641	TF SHOULDER SCREW (M3, M4, M5, M6, M7)
181	B1339533	COMPRESSOR GROMMET (M3, M4, M5, M6, M7)
191	0159R00001P	COMPRESSOR SCROLL HARNESS (M3, M4, M5)
191	0159R00002P	COMPRESSOR SCROLL HARNESS (M6, M7)
NS	B1789860	FLOW CHECK PISTON KIT (M2)
NS	B1789872	FLOW CHECK PISTON KIT (M5)
NS	B1789853	FLOW CHECK PISTON KIT .053 (M1)
NS	B1789865	FLOW CHECK PISTON KIT .065 (M3, M4)
NS	B1789874	FLOW CHECK PISTON KIT .074 (M6)
NS	B1789878	FLOW CHECK PISTON KIT .078 (M7)

**Expanded Model Nomenclature**

- |                  |
|------------------|
| M1 - GSX16S181AA |
| M2 - GSX16S241AA |
| M3 - GSX16S301AA |
| M4 - GSX16S301AB |
| M5 - GSX16S361AA |
| M6 - GSX16S421AA |
| M7 - GSX16S481AA |