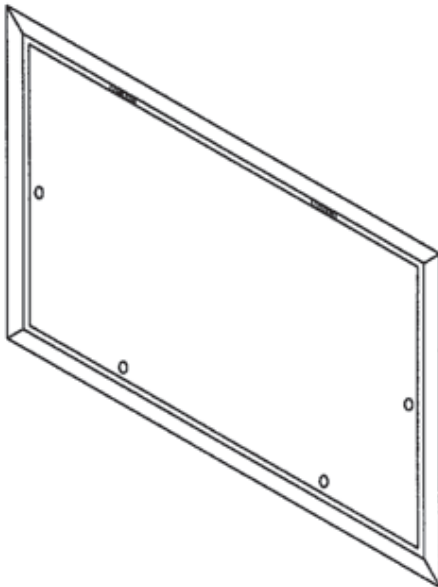
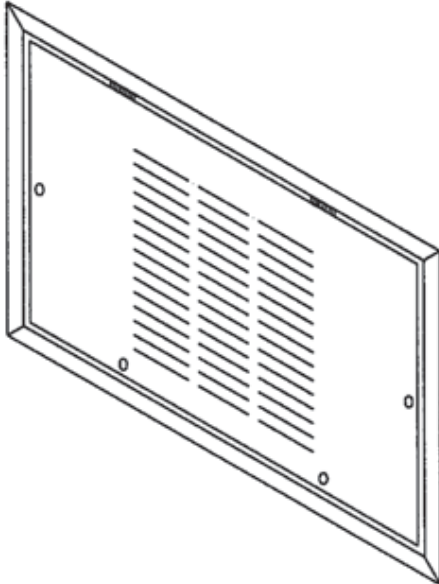


## CEILING ACCESS PANELS



### Product Features

- Galvanized-steel construction
- Powder-paint finish with 500-hour salt spray approval
- Panels can be latex-painted in the field
- Panels available with and without louvers
- Louvered panels equipped with filter-retaining clips to accept a field-installed 20" x 20" x 1" disposable air filter
- Reversible hinged panel can be removed from frame
- Available in three sizes for service access only; includes a solid panel in three matching sizes with louvers
- Fastens to outside of wall surface; does not have to perfectly match hole opening
- Frame screws not visible after installation



**DIMENSIONS**

Model	Description	Panel Number	Opening Size		Panel Dimension		Frame Dimension	
			A	B	C	D	E	F
ACNF18	Louvered Solid	CAP-1L	24½"	40"	25⅞"	41⅜"	27½"	43"
		CAP-1	24½"	40"	25⅞"	41⅜"	27½"	43"
ACNF24	Louvered Solid	CAP-2L	24½"	46"	25⅞"	47⅜"	27½"	49"
		CAP-2	24½"	46"	25⅞"	47⅜"	27½"	49"
ACNF30	Louvered Solid	CAP-3L	24½"	52½"	25⅞"	53⅜"	27½"	55½"
		CAP-3	24½"	52½"	25⅞"	53⅜"	27½"	55½"

