

McDaniel Metals

281-987-8400 • 281-987-9494 (fax)
1318 Buschong, Houston, TX 77039
www.mcdanielmetals.com

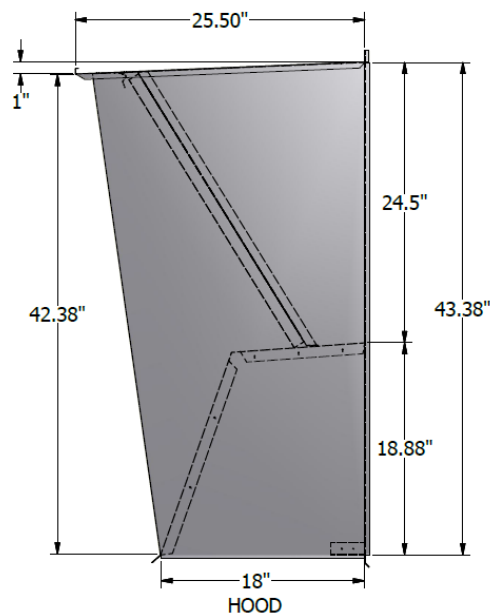
0270L02334-0270L02333

0270L02330-0270L02333

DOWNFLOW JADE ECONOMIZER
FOR DAIKIN D*G180-300 & D*C180-300 TITLE
24 COMPLIANT SANDSTONE BEIGE



FEATURES



- Fully Modulating
- Up to 100% Fresh Air
- Integrated Barometric Relief
- Hoods Painted to Match Daikin Unit
- Honeywell Jade Economizer Control
- Single Enthalpy Economizer Upgradeable to Dual
- Adjustable Minimum Fresh Air
- Fits all D*G/C Models and Fuels 15 - 25 Tons
- 205 Pounds