

Project Name: _____
 Location: _____
 Engineer: _____
 Submitted to: _____
 Submitted by: _____
 Reference: _____

Approval: _____
 Date: _____
 Construction: _____
 Unit #: _____
 Drawing #: _____

MODEL COMPATIBILITY:

Compatible with intelligent Touch Manager:





- The WAGO Node integrates ancillary equipment into the Intelligent Touch Manager (iTM) DCM601A71 with the use of DI, DO, AI and AO signals. It provides monitoring and control of non-Daikin equipment via manual control, interlock, scheduling and remote access using iTM touch screen or web access.

PRODUCT IMAGE:



One WAGO Node

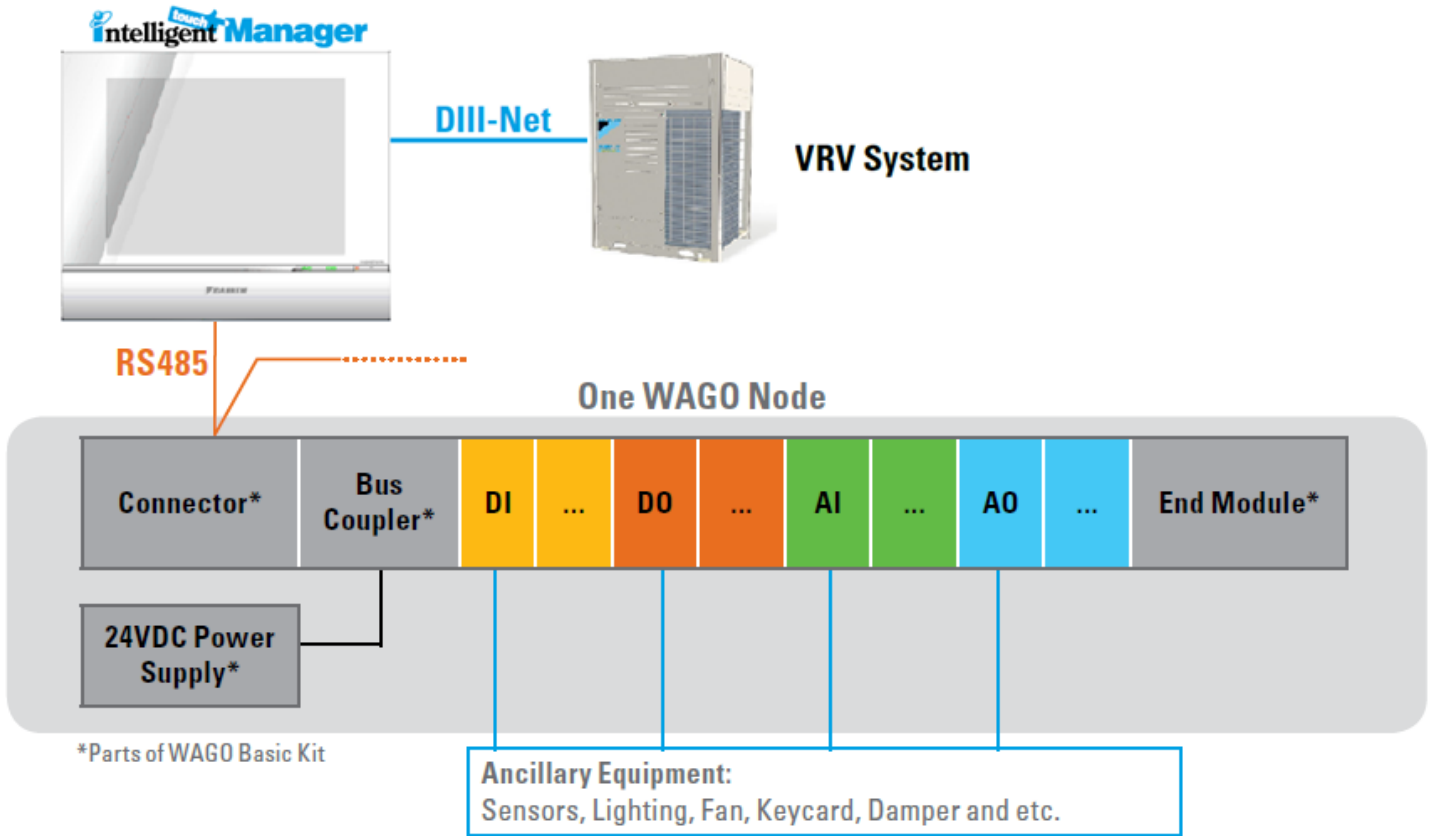
SPECIFICATIONS:

| Part # | Component | Image | Dimension W x H x L | Specifications | |
|-----------------------|---|---|-----------------------------|--|--------------------|
| 60359653 ¹ | Bus Coupler (750-315/xxx-xxx) |  | 1.99" x 2.80" x 3.94" | Input Voltage | 24VDC |
| | | | | Communication | MODBUS (RS485) |
| | | | | Operation Temp | 32-131°F (0-55 °C) |
| | | | | Wiring | 18-24 AWG |
| | End Module (750-600) |  | 0.47" x 2.75" x 3.94" | The module is used to terminate the internal bus of a Node. | |
| | Fieldbus Connector (750-960) |  | Inserted in the bus coupler | D-Sub male connector: 9 pin, 2 horizontal wire entries, one input and one output | |
| | 24 VDC Power Supply (787-712) |  | 1.97" x 3.62" x 5.35" | Input voltage 110 – 240VAC, output voltage 24VDC @ 2.5A | |

¹ The Basic I/O kit is required for each WAGO Node. Up to 120 contacts can be connected to one WAGO node. Up to 30 nodes can be connected to one iTM.

| | |
|---------------|---------------|
| Project Name: | Approval: |
| Location: | Date: |
| Engineer: | Construction: |
| Submitted to: | Unit #: |
| Submitted by: | Drawing #: |
| Reference: | |

INTEGRATION SCHEMETICS:



FEATURES:

- Monitoring/Control of ancillary equipment through I/O Modules:
 - Digital Input
 - Digital Output
 - Analog Input
 - Analog Output
- Interlock Function
 - Creates interlocks among sensors (CO2, Humidity, Temperature), ancillary equipment, and/or indoor units at the iTM.
 - High/Low Limit Alarms configurable for CO2, Humidity, and Temperature.
- Schedule Function
 - Up to 20 schedule events per day can be set for the ancillary equipment at the iTM
- Web Access

Daikin North America LLC, 5151 San Felipe, Suite 500, Houston TX, 77056
www.daikinac.com www.daikincity.com

(Daikin's products are subject to continuous improvements. Daikin reserves the right to modify product design, specifications and information in this data sheet without notice and without incurring any obligations)



Submittal Data Sheet

60359653 – Daikin WAGO Basic I/O Kit

| | |
|---------------|---------------|
| Project Name: | Approval: |
| Location: | Date: |
| Engineer: | Construction: |
| Submitted to: | Unit #: |
| Submitted by: | Drawing #: |
| Reference: | |

- All the ancillary equipment can be monitored and controlled through web access function of the iTM.
- Easy installation
 - Din rail mount – Standard width 1.38” (35mm)

SYSTEM CAPACITY:

- iTM management points limitation
 - Up to 512 total contact points can be connected
 - A total of 650 points which includes Daikin indoor unit groups and WAGO contact points can be connected
 - Up to 30 nodes can be connected
- WAGO node points limitation
 - Up to 120 contact points per node
 - Up to 1640 ft. wiring length to the farthest WAGO node from the iTM

COMPATIBLE I/O MODULE OPTIONS:

WAGO I/O modules needs to be ordered separately for each project

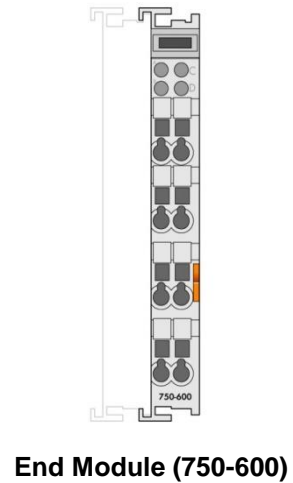
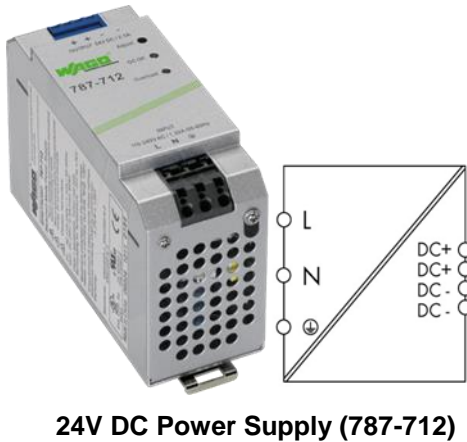
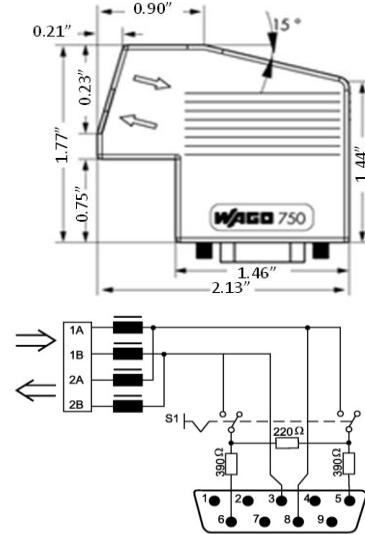
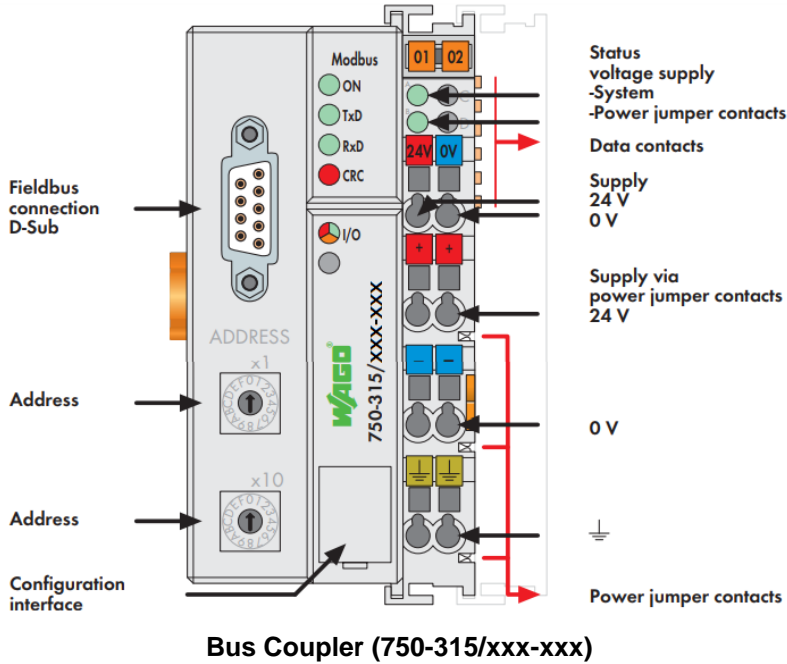
| Part Number | Description |
|------------------------------|--|
| 750-400 | 2 Channel Digital Input Module |
| 750-432 | 4 Channel Digital Input Module |
| 750-430 | 8 Channel Digital Input Module |
| 750-513/000-001 | 2 Channel Digital Output Module |
| 750-504 | 4 Channel Digital Output Module |
| 750-454 | 2 Channel Analog Input Module, 4-20 mA |
| 750-479 ¹ | 2 Channel Analog Input Module, ± 10 VDC |
| 750-461/020-000 | 2 Channel Analog Input Module, NTC 20k Ohm |
| 750-455 | 4 Channel Analog Input Module, 4-20 mA |
| 750-459 | 4 Channel Analog Input Module, 0-10 VDC |
| 750-464/020-000 ² | 4 Channel Analog Input Module, NTC 10/20k ohm |
| 750-554 | 2 Channel Analog Output Module, 4-20 mA |
| 750-550 | 2 Channel Analog Output Module, 0-10 VDC |
| 750-555 | 4 Channel Analog Output Module, 4-20 mA |
| 750-559 | 4 Channel Analog Output Module, 0-10 VDC |
| 750-613 | 24 VDC Bus Power Supply Module, Required for use after every 32 contact points connected in a node |
| 750-603 | Field set connection module for 8 channel DI module |
| 750-602 | 24 VDC Power Supply Module, passive, 3 power jumper contacts |

¹ Only range 0-10VDC can be used with iTM.
² Configured through WAGO I/O Checker (Default: 10k ohm).

Project Name: _____
 Location: _____
 Engineer: _____
 Submitted to: _____
 Submitted by: _____
 Reference: _____

Approval: _____
 Date: _____
 Construction: _____
 Unit #: _____
 Drawing #: _____

COMPONENTS:

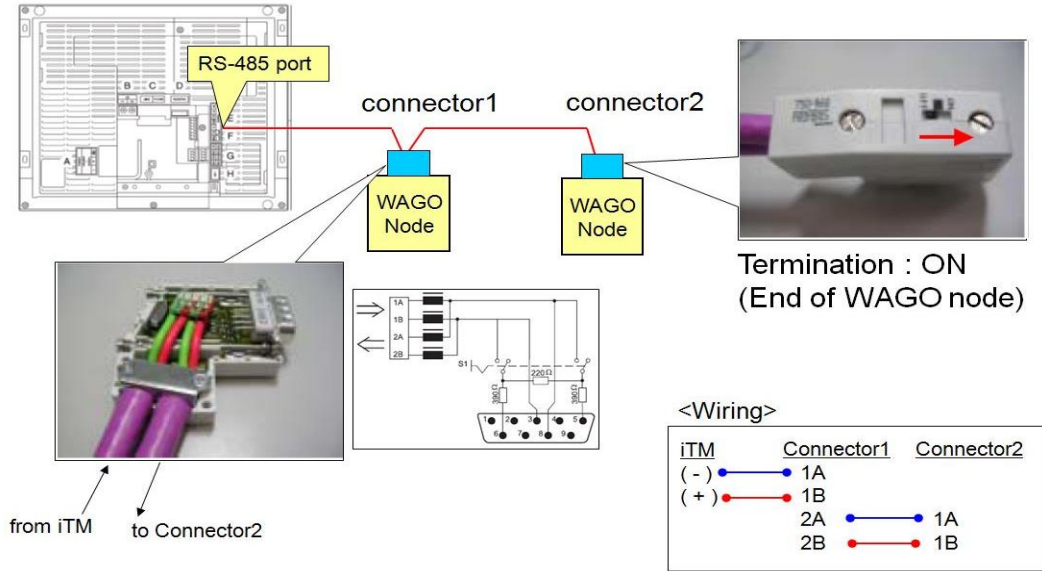


Project Name: _____
 Location: _____
 Engineer: _____
 Submitted to: _____
 Submitted by: _____
 Reference: _____

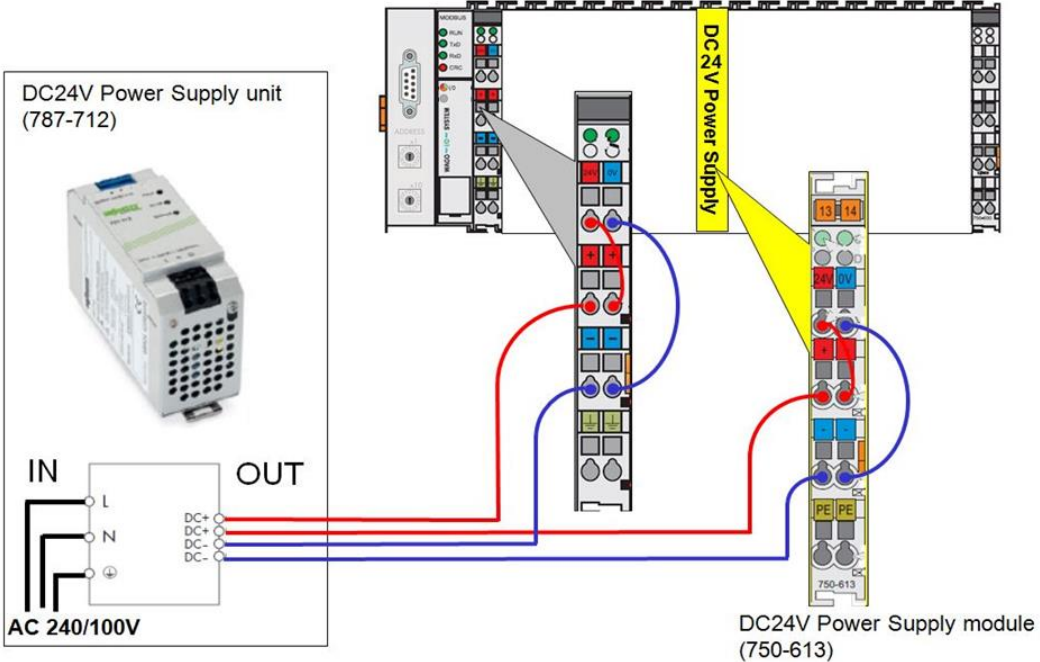
Approval: _____
 Date: _____
 Construction: _____
 Unit #: _____
 Drawing #: _____

WIRINGS:

Wiring iTM and WAGO node:



Wiring 24VDC Power supply:



Daikin North America LLC, 5151 San Felipe, Suite 500, Houston TX, 77056
www.daikinac.com www.daikincity.com

(Daikin's products are subject to continuous improvements. Daikin reserves the right to modify product design, specifications and information in this data sheet without notice and without incurring any obligations)



Submittal Data Sheet
60359653 – Daikin WAGO Basic I/O Kit

| | |
|---------------------|---------------------|
| Project Name: _____ | Approval: _____ |
| Location: _____ | Date: _____ |
| Engineer: _____ | Construction: _____ |
| Submitted to: _____ | Unit #: _____ |
| Submitted by: _____ | Drawing #: _____ |
| Reference: _____ | |

DOCUMENTATION:

Documentation available on www.daikincity.com and/or www.daikinac.com:

- Submittal
- Installation Manual
- CAD Drawings