

Submittal Data Sheet

Daikin WAGO I/O Modules

Project Name:	Approval:
Location:	Date:
Engineer:	Construction:
Submitted to:	Unit #:
Submitted by:	Drawing #:
Reference:	

MODEL COMPATIBILITY:

Compatible with Daikin WAGO Basic I/O Kit (60359653) and Daikin WAGO BACnet/IP Controller (750-831):

- Analog Input modules, Analog Output modules, Digital input modules, Digital Output modules, and power modules are available for selection based on applications

PRODUCT IMAGE:



SPECIFICATIONS:

Number in project	Part Number ¹	I/O Type	Characteristics ²	Dimension
	750-400	Digital Input	2 Channel Digital Input Module, 24 VDC, 3 power jumper contacts	0.47 x 2.75 x3.94 inches
	750-432		4 Channel Digital Input Module, 24 VDC, 2 power jumper contacts	
	750-430		8 Channel Digital Input Module, 24 VDC, 2 power jumper contacts	
	750-513/000-001	Digital Output	2 Channel Digital Output Module, no power jumper contact	
	750-504		4 Channel Digital Output Module, 24 VDC, 2 power jumper contacts	
	750-454	Analog Input	2 Channel Analog Input Module, 4-20 mA, Differential Inputs, no power jumper contact	
	750-479 ³		2 Channel Analog Input Module, ± 10 VDC, Differential Measurement Input, no power jumper contact	
	750-461/020-000		2 Channel Analog Input Module, NTC 20k Ohm, no power jumper contact	
	750-455		4 Channel Analog Input Module, 4-20 mA, single-ended, 2 power jumper contacts	
	750-459		4 Channel Analog Input Module, 0-10 VDC, single-ended, 2 power jumper contacts	
	750-464/020-000 ⁴		4 Channel Analog Input Module, NTC 20k Ohm/ NTC 10k Ohm, configurable, 2 power jumper contacts	
	750-554	Analog Output	2 Channel Analog Output Module, 4-20 mA, 2 power jumper contacts	
	750-550		2 Channel Analog Output Module, 0-10 VDC, no power jumper contact	
	750-555		4 Channel Analog Output Module, 4-20 mA, 2 power jumper contacts	
	750-559		4 Channel Analog Output Module, 0-10 VDC, 2 power jumper contacts	
	750-613	Internal System Power Supply	24 VDC Bus Power Supply Module, Required for use after every 32 contact points connected in a node, 3 power jumper contacts	
	750-603	Field set connection Module	Field set connection module for 8 channel DI module	
	750-602	Passive Power Supply	24 VDC Power Supply Module, passive, 3 power jumper contacts	
	Field Supplied	Wiring	2-conductor Shielded copper cable 24AWG	-

Daikin North America LLC, 5151 San Felipe, Suite 500, Houston TX, 77056

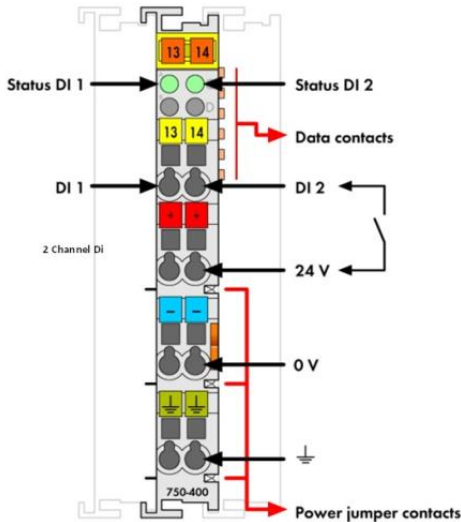
www.daikinac.com www.daikincity.com

(Daikin's products are subject to continuous improvements. Daikin reserves the right to modify product design, specifications and information in this data sheet without notice and without incurring any obligations)

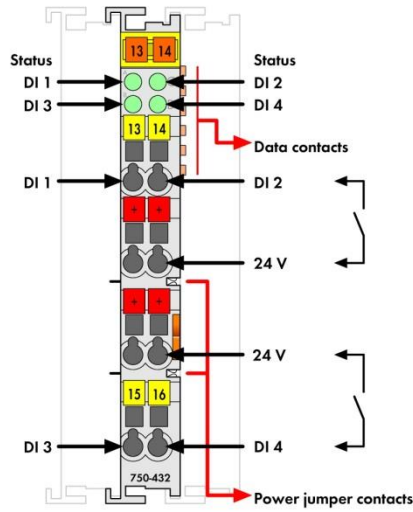
Project Name:	
Location:	Approval:
Engineer:	Date:
Submitted to:	Construction:
Submitted by:	Unit #:
Reference:	Drawing #:

- Note:
1. All sensors are field supplied.
 2. A module with less power jumper contacts shall be placed after modules with more power jumper contacts. Otherwise, 750-602 is needed to supply power to the module with more power jumper contacts.
 3. For 750-479 (2 Channel Ai ± 10 VDC), only range 0-10VDC can be used with iTM.
 4. 750-464/020-000 is not compatible with the previous Daikin WAGO Basic I/O Kit part number 51291052

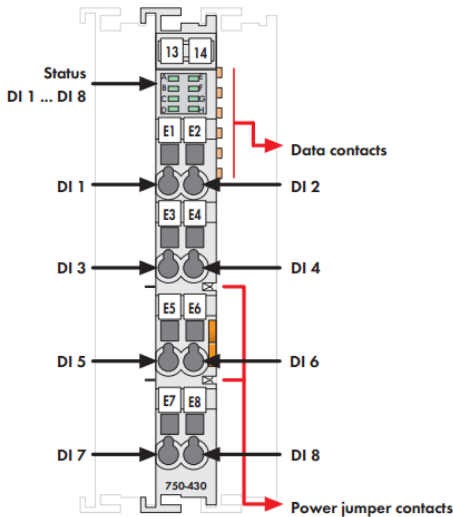
SCHEMETICS:



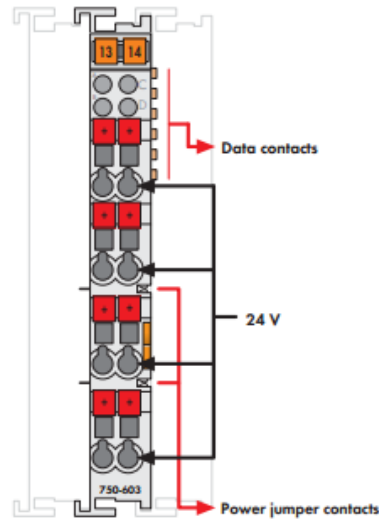
**2-Channel DI module
(750-400)**



**4-Channel DI module
(750-432)**



**8-Channel DI module
(750-430)**



**Field side connection module
(750-603)**

Daikin North America LLC, 5151 San Felipe, Suite 500, Houston TX, 77056
www.daikinac.com www.daikincity.com

(Daikin's products are subject to continuous improvements. Daikin reserves the right to modify product design, specifications and information in this data sheet without notice and without incurring any obligations)

Submittal Data Sheet

Daikin WAGO I/O Modules

Project Name: _____

Location: _____

Engineer: _____

Submitted to: _____

Submitted by: _____

Reference: _____

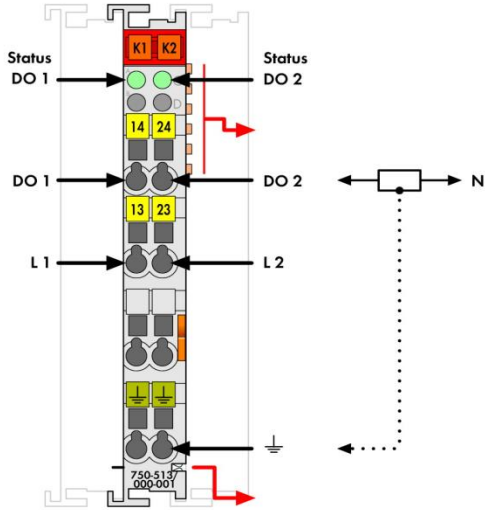
Approval: _____

Date: _____

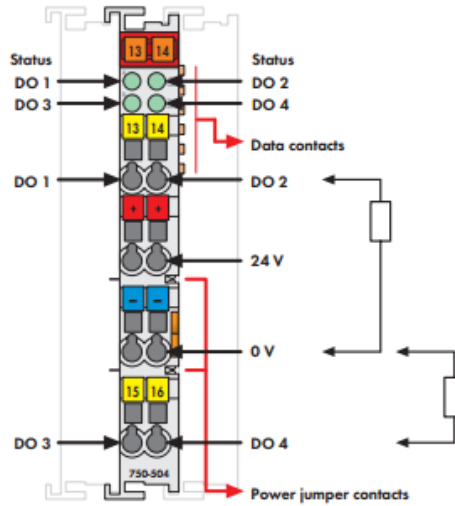
Construction: _____

Unit #: _____

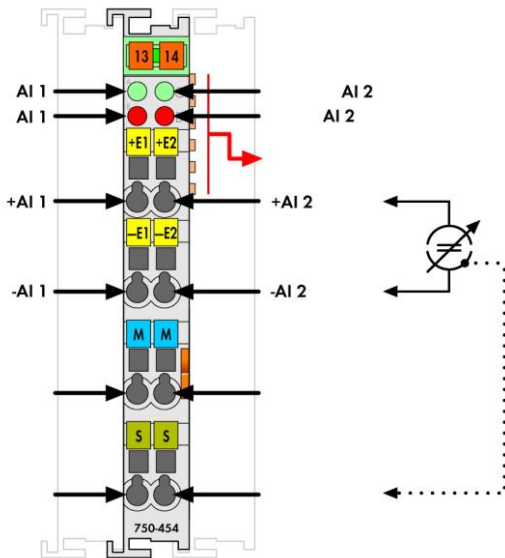
Drawing #: _____



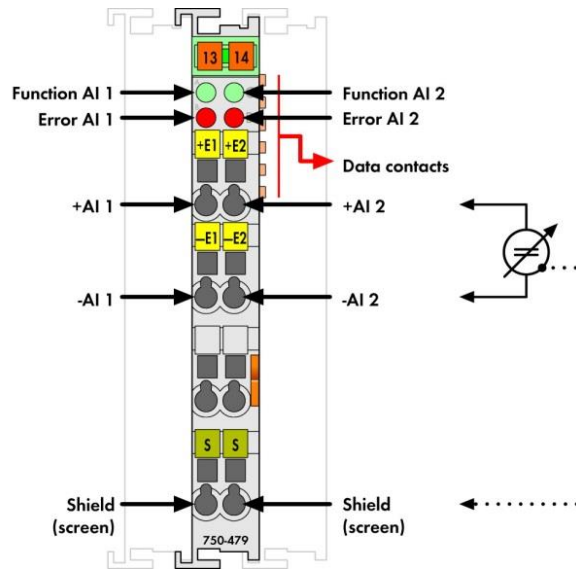
**2-Channel DO module
(750-513/000-001)**



**4-Channel DO module
(750-504)**



**2-Channel AI module, 4-20mA
(750-454)**



**2-Channel AI module, ± 10 VDC
(750-479)**

Submittal Data Sheet

Daikin WAGO I/O Modules

Project Name: _____

Location: _____

Engineer: _____

Submitted to: _____

Submitted by: _____

Reference: _____

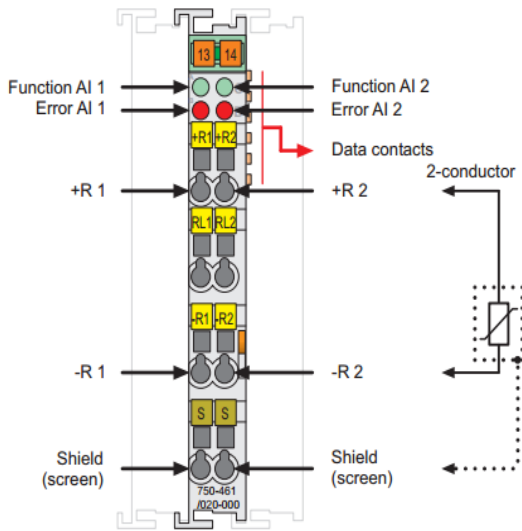
Approval: _____

Date: _____

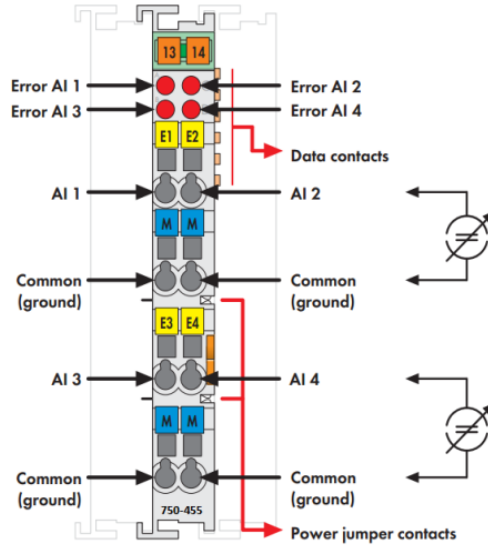
Construction: _____

Unit #: _____

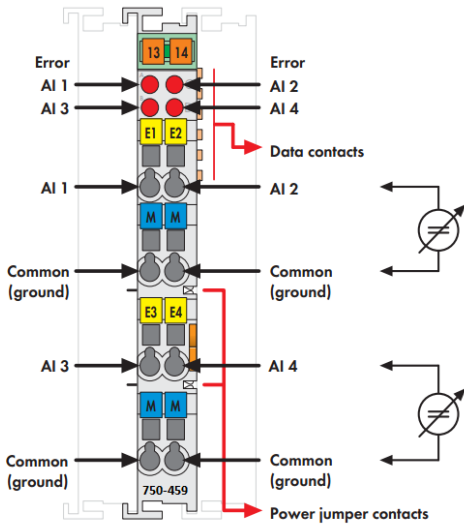
Drawing #: _____



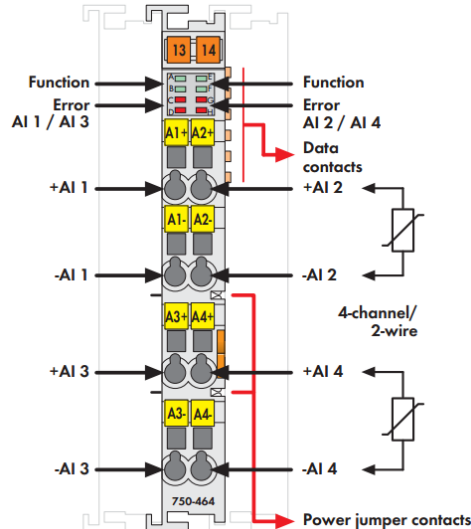
**2-Channel AI module, 20k ohm
(750-461/020-000)**



**4-Channel AI module, 4-20mA
(750-455)**



**4-Channel AI module, 0-10 VDC
(750-459)**



**4-Channel AI module, 10/20k Ohm
(750-464/020-000)**

Daikin North America LLC, 5151 San Felipe, Suite 500, Houston TX, 77056
www.daikinac.com www.daikincity.com

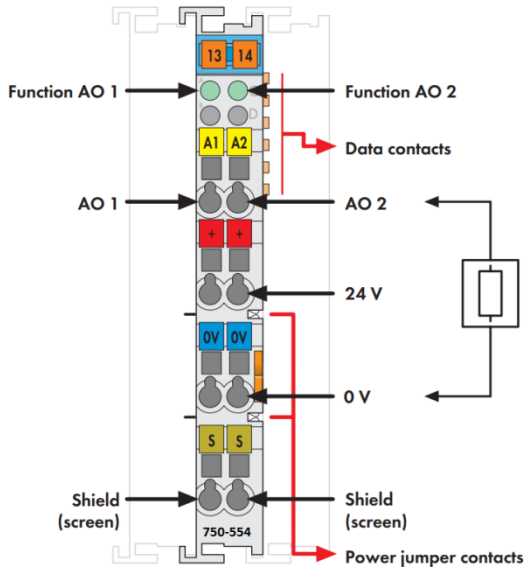
(Daikin's products are subject to continuous improvements. Daikin reserves the right to modify product design, specifications and information in this data sheet without notice and without incurring any obligations)

Submittal Data Sheet

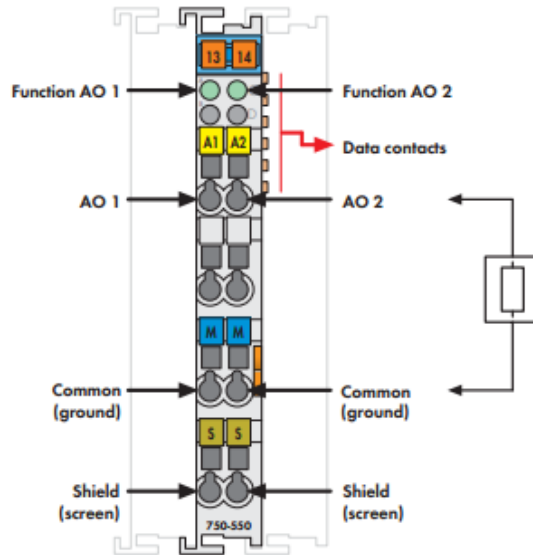
Daikin WAGO I/O Modules

Project Name: _____
 Location: _____
 Engineer: _____
 Submitted to: _____
 Submitted by: _____
 Reference: _____

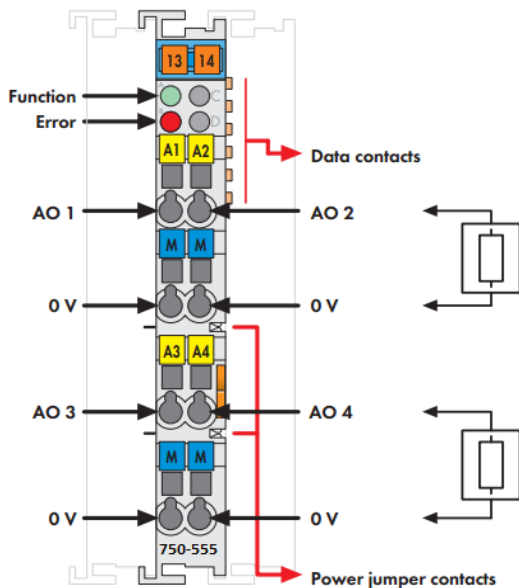
Approval: _____
 Date: _____
 Construction: _____
 Unit #: _____
 Drawing #: _____



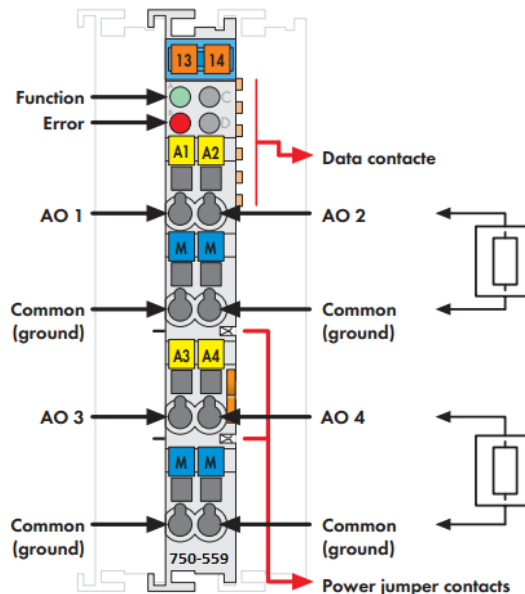
**2-Channel AO module, 4-20mA
(750-554)**



**2-Channel AO module, 0-10 VDC
(750-550)**



**4-Channel AO module, 4-20mA
(750-555)**



**4-Channel AO module, 0-10 VDC
(750-559)**

Daikin North America LLC, 5151 San Felipe, Suite 500, Houston TX, 77056
www.daikinac.com www.daikincity.com

(Daikin's products are subject to continuous improvements. Daikin reserves the right to modify product design, specifications and information in this data sheet without notice and without incurring any obligations)



Submittal Data Sheet

Daikin WAGO I/O Modules

Project Name:	_____	Approval:	_____
Location:	_____	Date:	_____
Engineer:	_____	Construction:	_____
Submitted to:	_____	Unit #:	_____
Submitted by:	_____	Drawing #:	_____
Reference:	_____		

DOCUMENTATION:

Documentation available on www.daikincity.com and/or www.daikinac.com:

- Submittal
- Installation Manual
- CAD Drawings