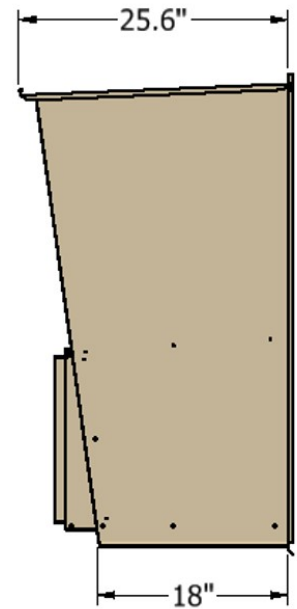
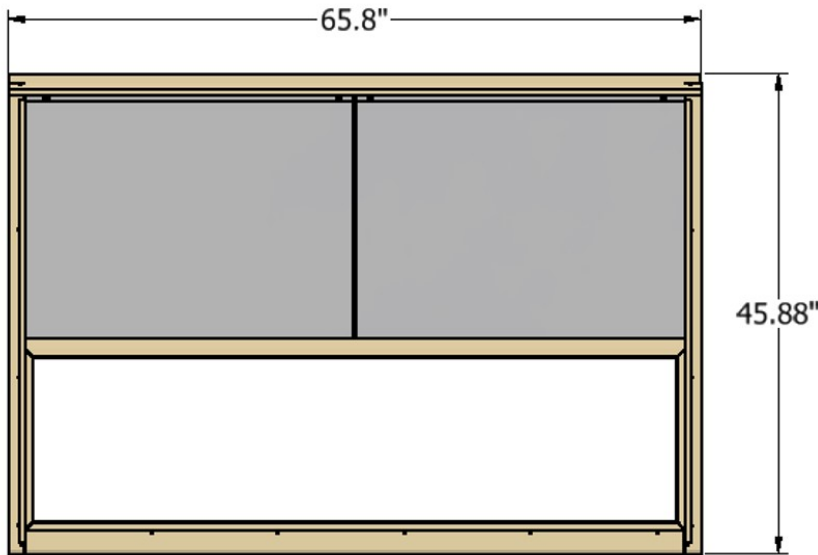
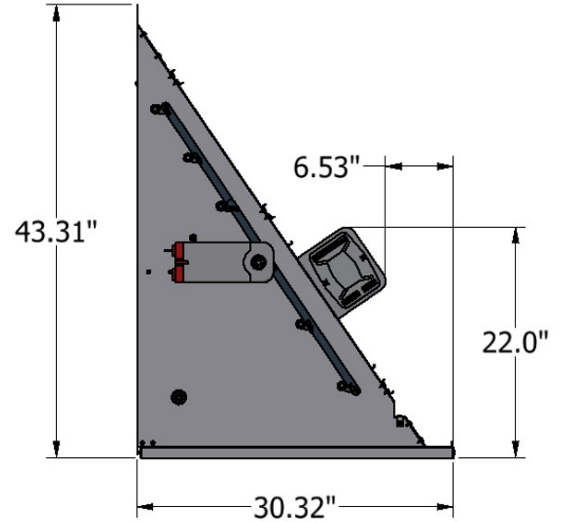
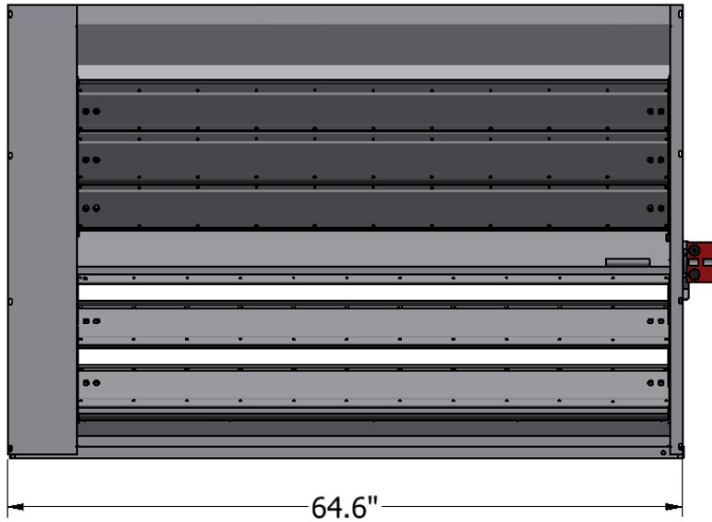


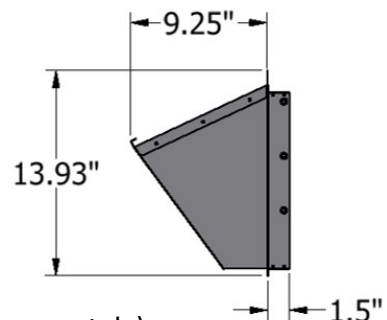
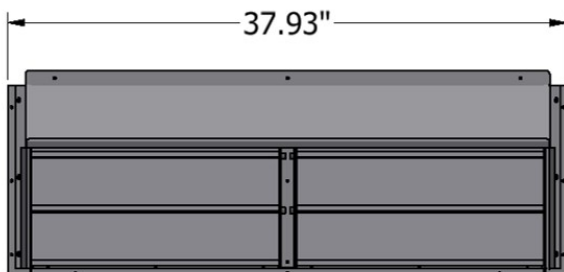


SHZECNDB180300B1AINT

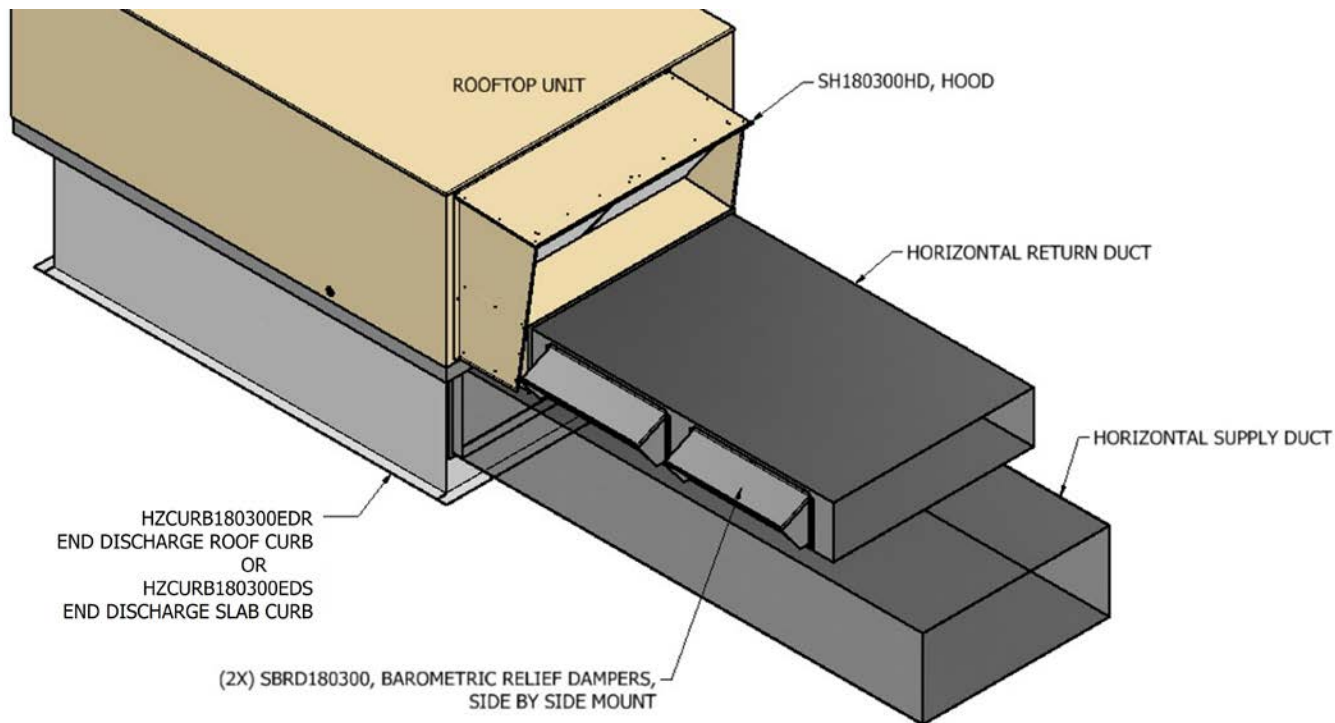
HORIZONTAL ECONOMIZER, JADE DRY BULB FITS
DAIKIN DB*180300,
ULTRA LOW-LEAK, TITLE 24 CLASS 1A COMPLIANT
SANDSTONE BEIGE 0270L02506



(Hood sold separately)
Item No. **SH180300HD**

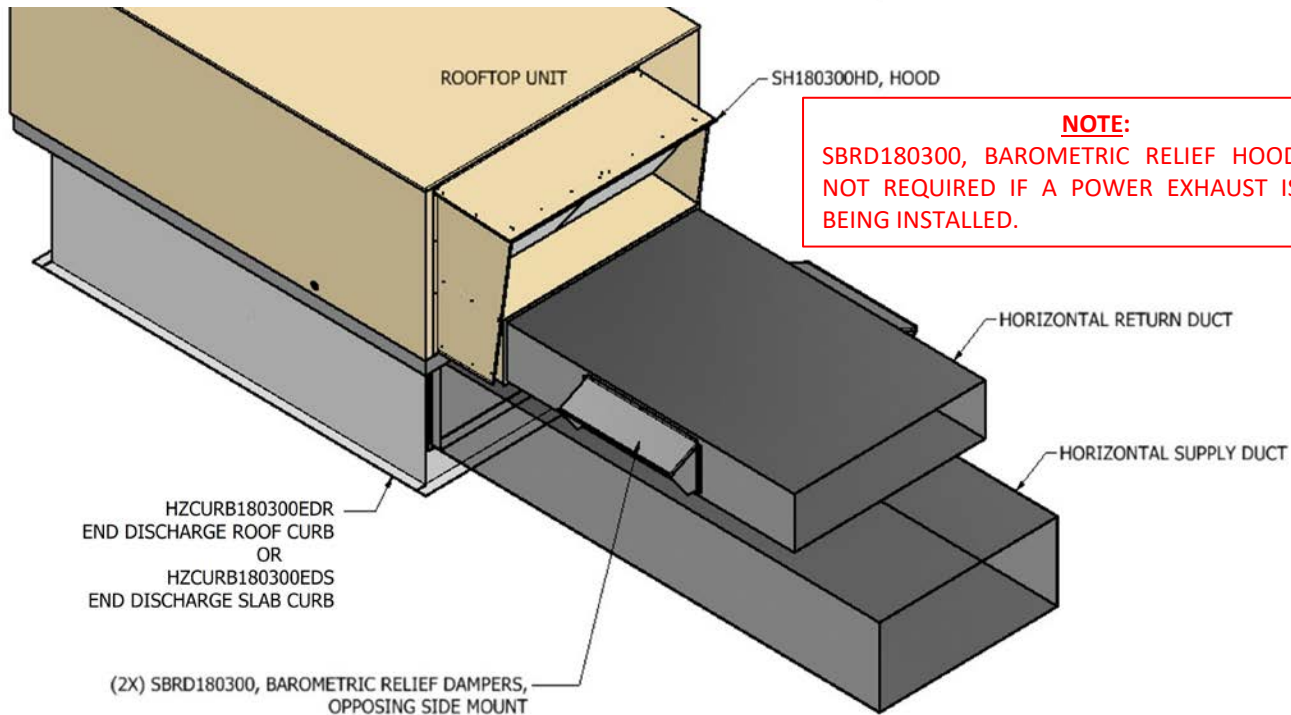


(Barometric Relief Dampers sold separately)
Item No. **SBRD180300HD**, set of 2



HZCURB180300EDR
END DISCHARGE ROOF CURB
OR
HZCURB180300EDS
END DISCHARGE SLAB CURB

(2X) SBRD180300, BAROMETRIC RELIEF DAMPERS,
SIDE BY SIDE MOUNT



HZCURB180300EDR
END DISCHARGE ROOF CURB
OR
HZCURB180300EDS
END DISCHARGE SLAB CURB

(2X) SBRD180300, BAROMETRIC RELIEF DAMPERS,
OPPOSING SIDE MOUNT

NOTE:
SBRD180300, BAROMETRIC RELIEF HOODS ARE NOT REQUIRED IF A POWER EXHAUST IS ALSO BEING INSTALLED.

FEATURES

- Fully Modulating Honeywell Jade Control
- 0/2 – 10VDC Modulating Actuator
- Up to 100% Fresh Air
- 2X Duct-mounted Barometric Reliefs w/hoods
- Hood Painted to Match Daikin Unit
- Plug-n-Play
- Adjustable Minimum Fresh Air
- Fuels 15 to 25 Ton Daikin DB*180300 RTUs
- Net Weight: 233 lbs.
- **SH180300HD, Hood (knock-down), & SBRD180300 Barometric Relief Dampers (set of 2 assembled),** sold separately

| Compatible McDaniel Metals Power Exhausts | |
|---|--|
| ITEM NO. | DESCRIPTION |
| SHPE180300X | PROP. POWER EXHAUST, HORIZ. |
| 142-DK-14X | MODULATING POWER EXHAUST, HORIZ. |
| 143-DK-1415-X | NON-MOD. POWER EXHAUST, 15 TON, HORIZ. |
| 143-DK-1420-X | NON-MOD. POWER EXHAUST, 20 TON, HORIZ. |
| 143-DK-1425-X | NON-MOD. POWER EXHAUST, 25 TON, HORIZ. |

X=2 (208-230VAC), =4 (460VAC), =7 (575 VAC)