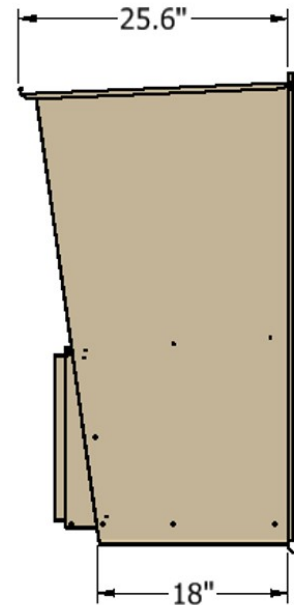
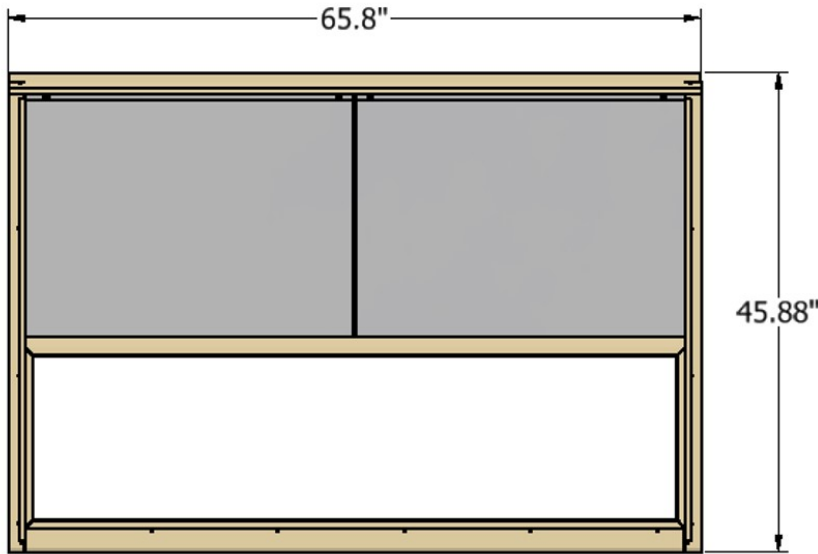
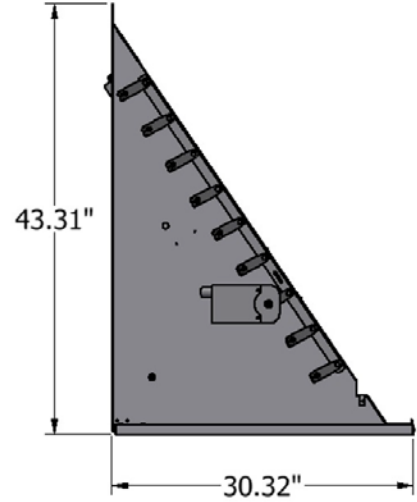
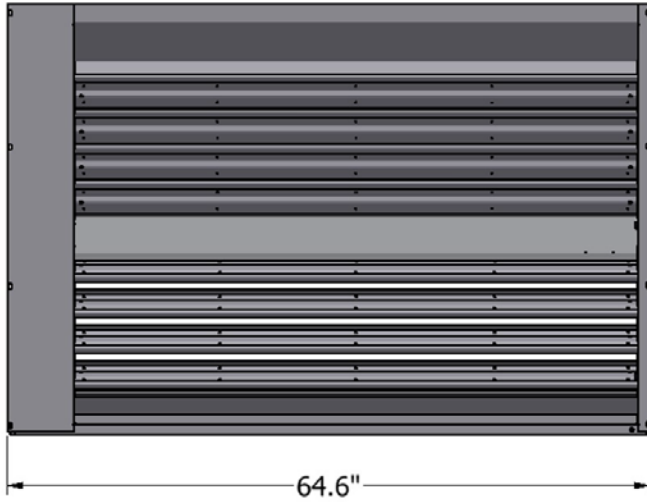


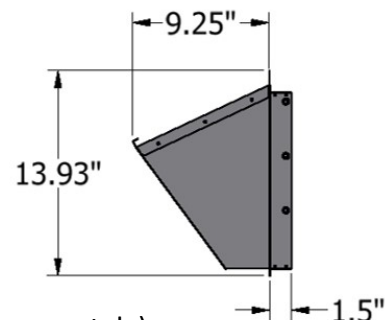
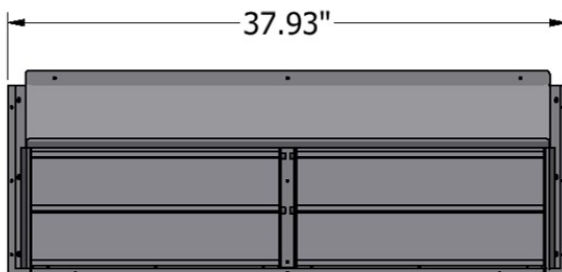


SHZECDDC180300BINT

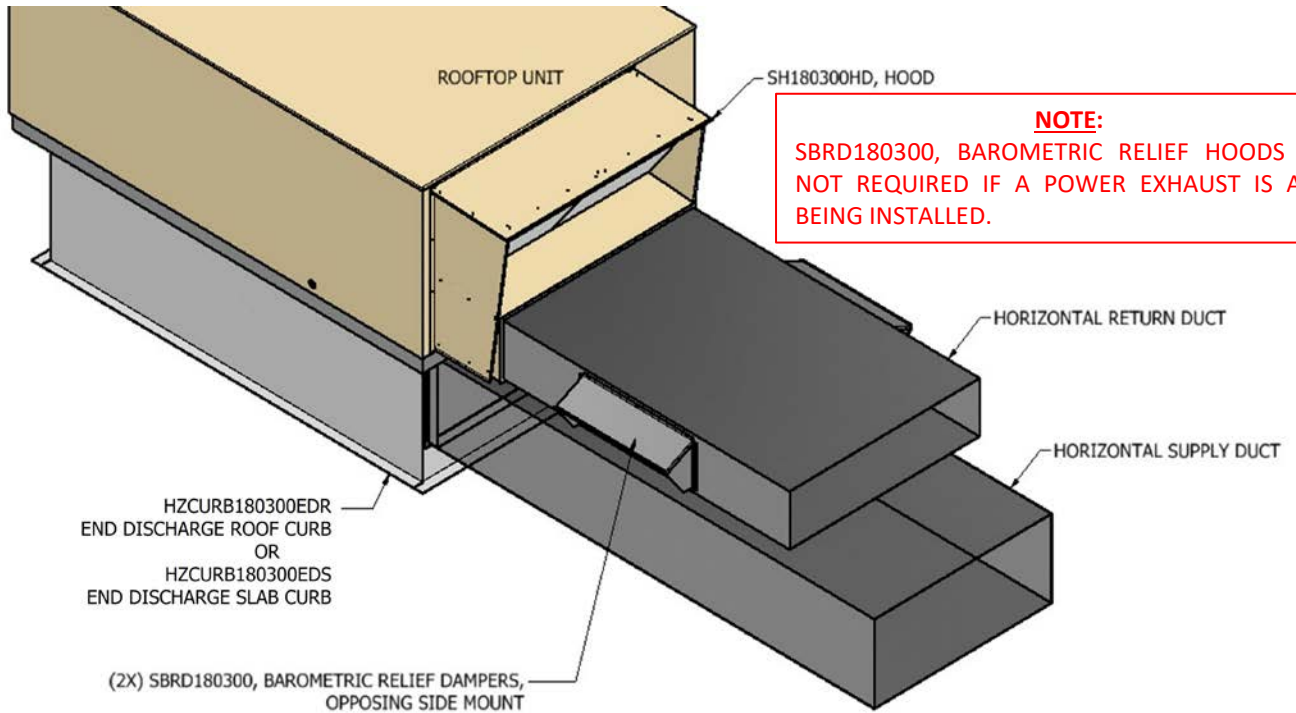
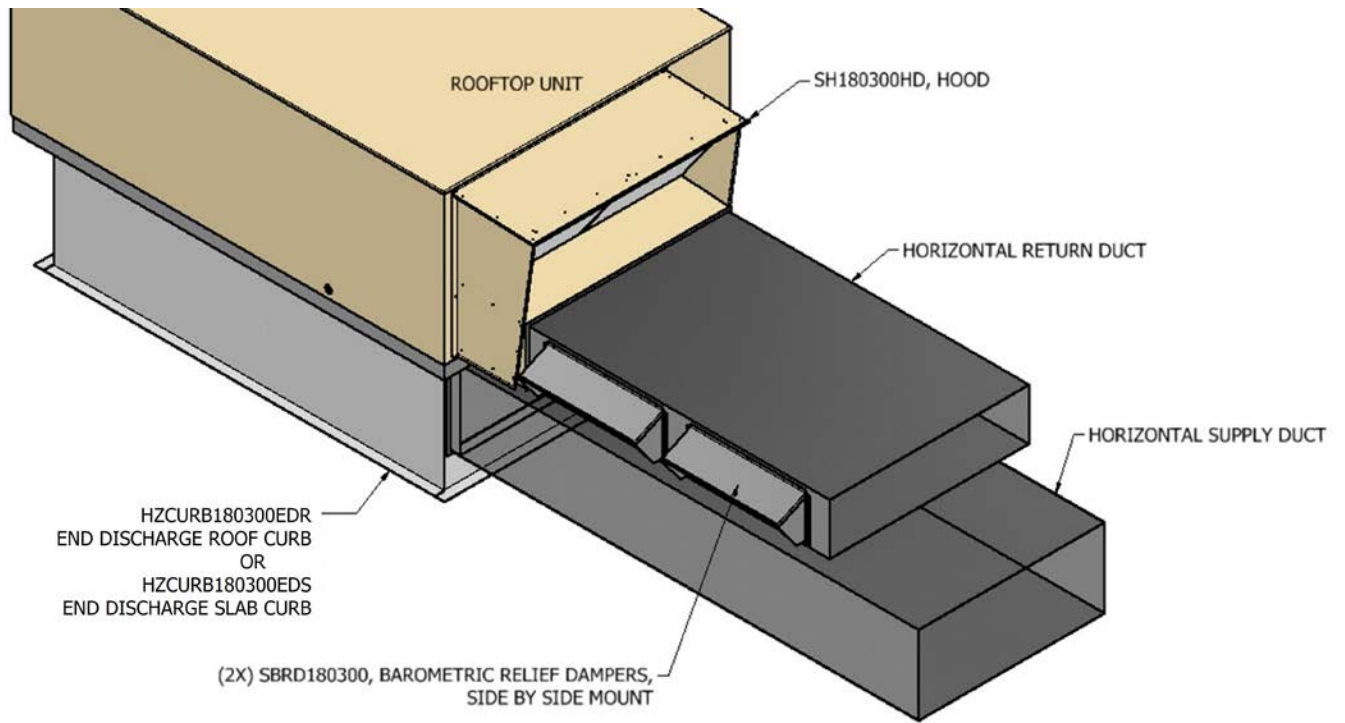
HORIZONTAL ECONOMIZER, DDC Control
FITS DAIKIN DB*180300,
LOW-LEAK, TITLE 24 CLASS 2
COMPLIANT SANDSTONE BEIGE
0270L2508



(Hood sold separately)
Item No. **SH180300HD**



(Barometric Relief Dampers sold separately)
Item No. **SBRD180300HD**, set of 2



FEATURES

- Fully Modulating DDC Control (*by others*)
- 0/2 – 10VDC Modulating Actuator
- Up to 100% Fresh Air
- 2X Duct-mounted Barometric Reliefs w/hoods
- Hood Painted to Match Daikin Unit
- Plug-n-Play
- Adjustable Minimum Fresh Air
- Fuels 15 to 25 Ton Daikin DB*180300 RTUs
- Net Weight: 233 lbs.
- **SH180300HD, Hood (knock-down), & SBRD180300 Barometric Relief Dampers (set of 2 assembled),** sold separately

Compatible McDaniel Metals Power Exhausts	
ITEM NO.	DESCRIPTION
SHPE180300X	PROP. POWER EXHAUST, HORIZ.
142-DK-14X	MODULATING POWER EXHAUST, HORIZ.
143-DK-1415-X	NON-MOD. POWER EXHAUST, 15 TON, HORIZ.
143-DK-1420-X	NON-MOD. POWER EXHAUST, 20 TON, HORIZ.
143-DK-1425-X	NON-MOD. POWER EXHAUST, 25 TON, HORIZ.

X=2 (208-230VAC), =4 (460VAC), =7 (575 VAC)