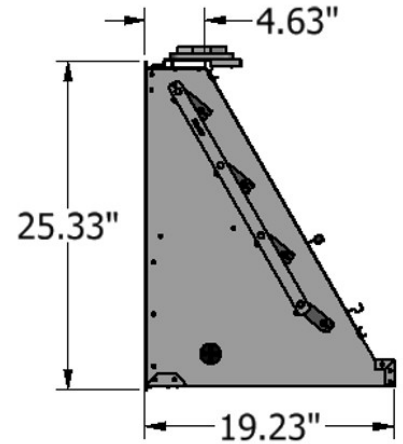
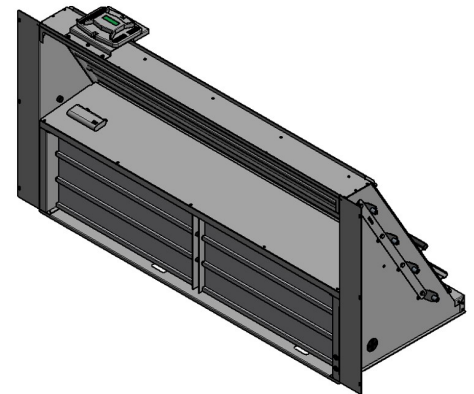
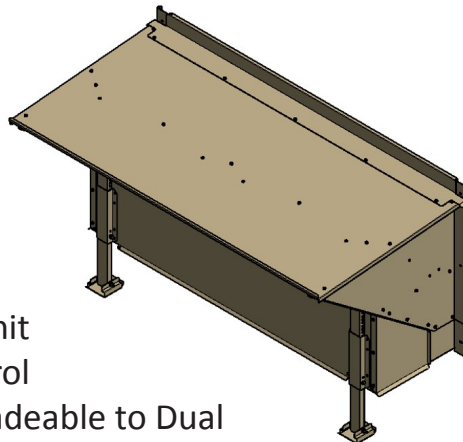


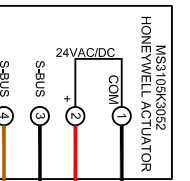
DAMPER & CONTROLS SUB/ASSY



FEATURES

- Fully Modulating
- Up to 100% Fresh Air
- Integrated Barometric Relief
- Hoods Painted to Match Daikin Unit
- Honeywell Jade Economizer Control
- Single Enthalpy Economizer Upgradeable to Dual
- Adjustable Minimum Fresh Air
- Fits all DB Models and Fuels 7.5-12.5 Tons
- 104 Pounds



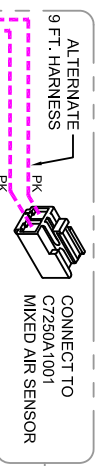


CONNECT TO C7400S1000
OUTDOOR ENTHALPY SENSOR

ECONOMIZER SENSOR WIRE HARNESS

INSIDE DAIKIN ROOFTOP UNIT

HONEYWELL 50048926-002
6 PIN TERMINAL BLOCK (4X)



(SEE NOTE 2)



- NOTES:
1. 'W' FOR AC AND GAS UNITS AND 'O' FOR HEAT PUMP UNITS ONLY.
 2. IF THE MAT SENSOR CONNECTOR DOES NOT EXIST IN BLOWER CAVITY OF RTU, USE ALTERNATE 9 FT. MIXED AIR SENSOR HARNESS AND CONNECT DIRECTLY TO MAT INPUTS ON TOP OF THE JADE CONTROLLER.

COLOR CODES FOR 12 PIN PLUG		ADDITIONAL COLOR CODES	
1	(Y) YELLOW - Y1 IN	(BR) BROWN - EXH1	
2	(P) PURPLE - Y2 IN	(WH) WHITE	
3	(P) PURPLE - Y2 OUT	(RD) RED	
4	(Y) YELLOW - Y1 OUT		
5	(BL) BLUE - C		
6	(G) GREEN - OCC		
7	(GY) GRAY - AUX1-4		
8	(OR) ORANGE - AUX2-4		
9	(PK) PINK - R		
10	(BK) BLACK - MAT		
11	(BK) BLACK - MAT		
12	(BK) BLACK - MAT		

