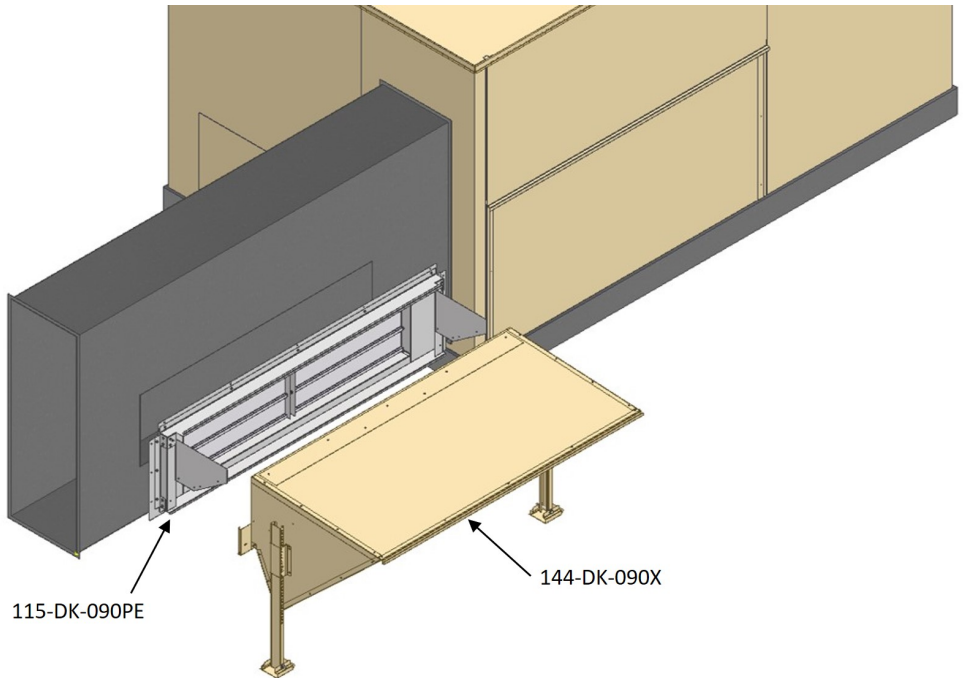


**NOTE**

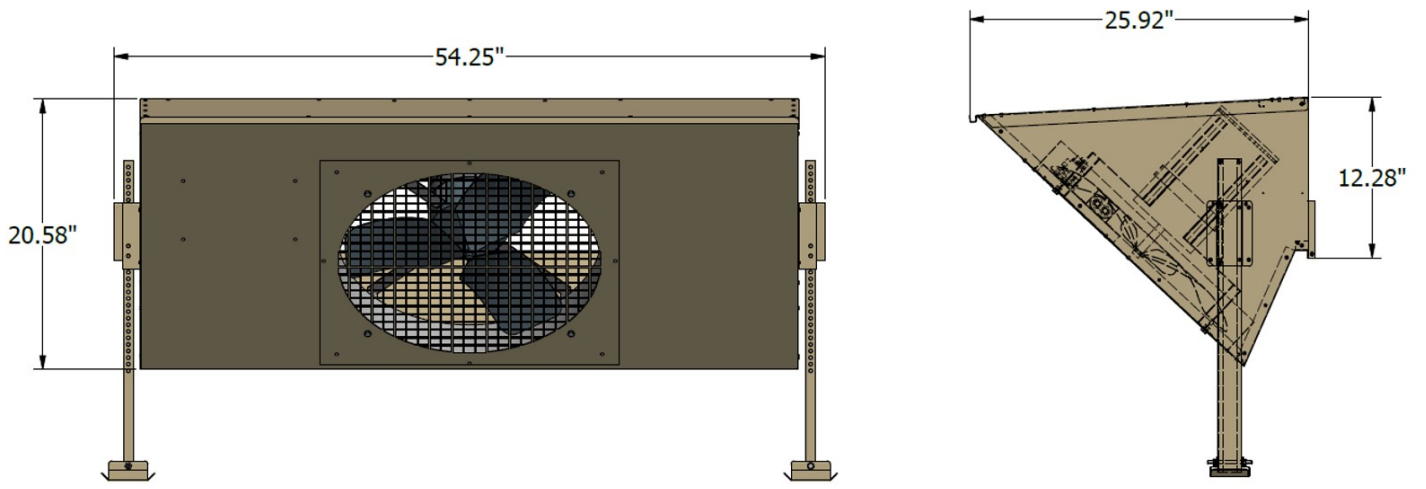
FOR HORIZONTAL APPLICATIONS,  
115-DK-090PE, PE ADAPTER & RELIEF  
DAMPER MUST BE ORDERED  
SEPARATELY. THE HORIZONTAL  
DUCT IS SUPPLIED BY OTHERS

**NET WEIGHTS**

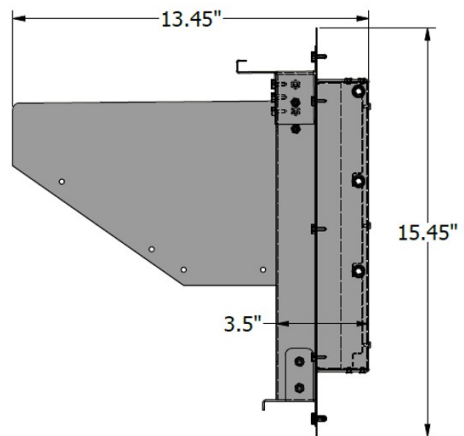
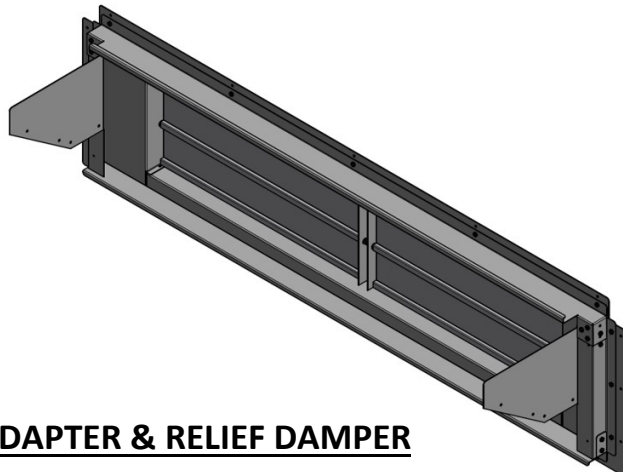
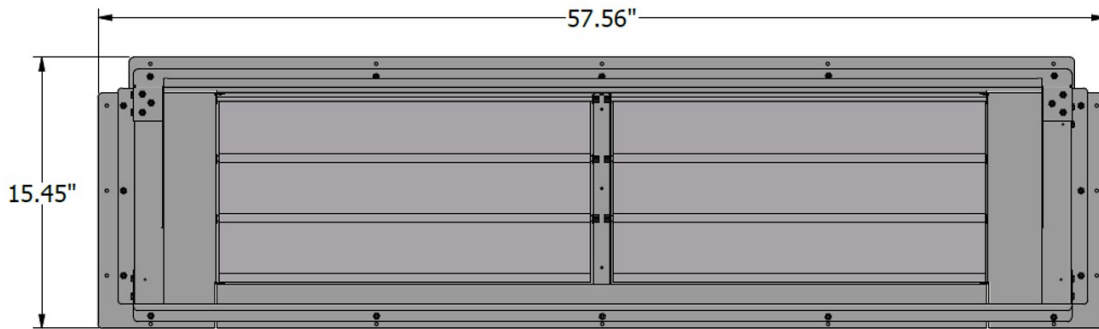
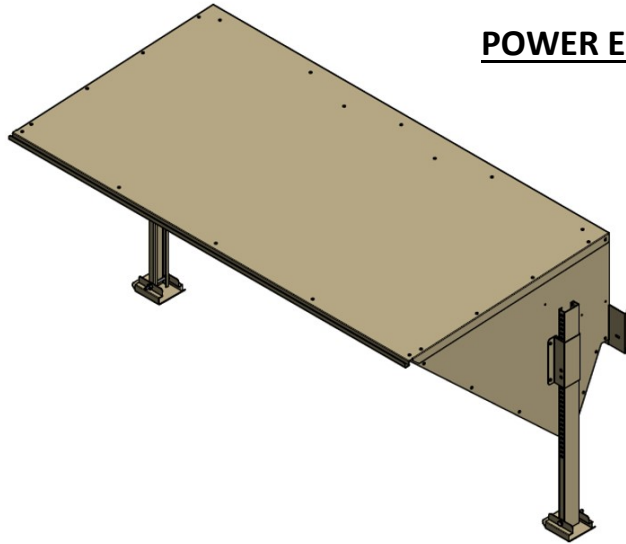
144-DK-090X: 70 lbs.  
115-DK-090PE: 22 lbs.



Model	Voltage	Motor						
		HP	RPM	Type	FLA	MCA	FUSE SIZE	SPEEDS
144-DK-0902	208/230-1-60	1/2	1075	Direct Drive	2.4	3.0	5	1
144-DK-0904	460-1-60	1/2	1075	Direct Drive	1.2	1.5	3	1
144-DK-0907	575-1-60	1/2	1100	Direct Drive	1.1	1.4	3	1



**POWER EXHAUST**



**PE ADAPTER & RELIEF DAMPER**