



Submittal Data Sheet

AZAI6WSCDKB – DKN Residential Cloud Wi-Fi Adaptor for Single- and Multi-Zone System

Project Name: _____	Approval: _____
Location: _____	Date: _____
Engineer: _____	Construction: _____
Submitted to: _____	Unit #: _____
Submitted by: _____	Drawing #: _____
Reference: _____	

MODEL COMPATIBILITY:

Compatible with Single-Zone and Multi-Zone system indoor unit models: CDXS, CTXS*, FDXS, FTK*, FTKB*, FTX*, FTXB* FTXG, FTXR, FTXS, FVXS, FTXM

The following indoor units require an additional interface adaptor (ordered separately) to provide the S21 connection:

Indoor Unit Models	Required Interface Adaptor
FTX09NMVJU(A), FTX12NMVJU(A), FTX09WMVJU9, FTX12WMVJU9	KRP067A41E
FTX15NMVJU(A), FTX15WMVJU9	KRP980B2E
FTXM09VVJU, FTXM12VVJU, FTXM18VVJU, FTXM24VVJU, FTXM09WVJU9, FTXM12WVJU9, FTXM18WVJU9, FTXM24WVJU9	KER087A41

*FTK_AXVJU, FTKB_AXVJU, FTX_AXVJU, FTXB_AXVJU and CTX_AXVJU units are not compatible.

SPECIFICATIONS:

PRODUCT IMAGE:

Model	AZAI6WSCDKB	
Description	DKN Residential Cloud Wi-Fi Adaptor for Single- and Multi-Zone System (S21)	
Maximum Indoor Units	1	
Total Wiring Length	8.2ft (2.5m)	
Dimensions	3.6 in x 3.15 in x 1.15 in (92mm x 80mm x 29 mm)	
Weight	0.28lbs (130 g)	
Communication Protocol	S21	
Storage Temperature	-4°F to 158°F (-20 °C to 70 °C)	
Operation Temperature	32°F to 122°F (0 °C to 50 °C)	
Operation Humidity	5% to 90% (non-condensing)	
Communication	Connection	Wi-Fi-Certificated network 802.11b/g/n (802.11n up to 150 Mbps), Bluetooth: v4.2 BR/EDR and BLE specification
	Communication Frequency	2.4GHz
	Max Antenna power	20 dBm
	Sensitivity	-97 dBm
	IP Addressing	Static DHCP
Modbus RS485 communication baud rate	19200 bps (configurable)	
Power Supply	Type	From indoor unit PCB
	Voltage	12VDC
	max current	130mA
	max Power	1.56W



DAIKIN COMFORT TECHNOLOGIES NORTH AMERICA, INC.

19001 Kermier Road, Waller, TX, 77484

www.daikinac.com www.daikincity.com

Rev.0923

(Daikin's products are subject to continuous improvements. Daikin reserves the right to modify product design, specifications and information in this data sheet without notice and without incurring any obligations)



Submittal Data Sheet

AZAI6WSCDKB – DKN Residential Cloud Wi-Fi Adaptor for Single- and Multi-Zone System

Project Name: _____	Approval: _____
Location: _____	Date: _____
Engineer: _____	Construction: _____
Submitted to: _____	Unit #: _____
Submitted by: _____	Drawing #: _____
Reference: _____	

FEATURES:

- Can be used together with the wireless remote controller.
- Compatible with Amazon Alexa and Google Home voice control
- Consists of a connection wire to the indoor unit through S21
- Enables the control of indoor units through an iOS or Android smartphone app:
 - Monitor and/or control the indoor units:
 - On/Off
 - Mode – Cool, Heat, Auto¹, Dry and Fan
 - Room temperature
 - Setpoint
 - Fan speed
 - Louver direction*
 - Error code
 - Next scheduled event
 - Capable of setting a 7-day schedule for each indoor unit group
 - Capable of editing unit name and icon, and grouping units
 - Capable of managing users with Basic and Advanced authority
 - Capable of displaying different languages: English, Spanish and French
 - Capable of selecting temperature units °F/°C
- Open API for cloud integration
- Modbus connection for BMS or HAS
 - The following points are available through Modbus:

No.	Point Name	Read Only/Writable
1	Unit on/off	Writable
2	Setpoint	Writable
3	Room temperature	Read only
4	Mode Auto ¹ /Cool/Heat/Fan/Dry	Writable
5	Fan speed	Writable
6	Louver position*	Writable
7	Error code	Read only

* Depends on indoor unit model

¹ Auto mode selection is available for the single zone system and not available for multi-split system.



Submittal Data Sheet

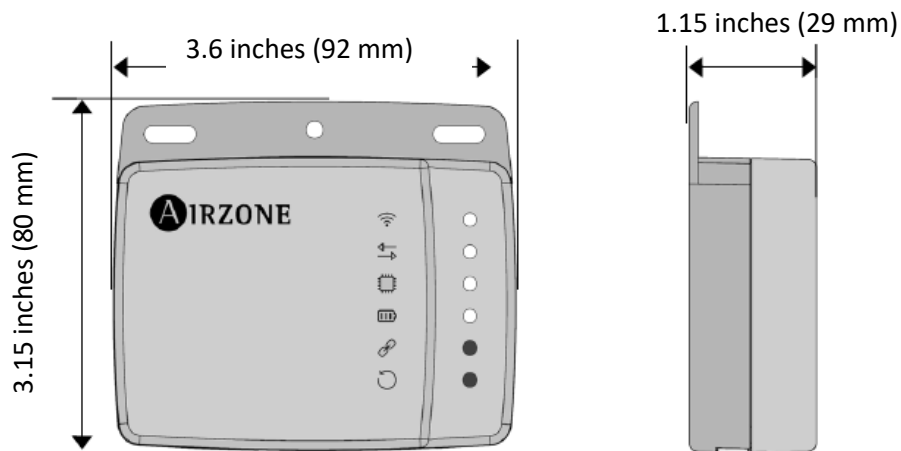
AZAI6WSCDKB – DKN Residential Cloud Wi-Fi Adaptor for Single- and Multi-Zone System

Project Name:	Approval:
Location:	Date:
Engineer:	Construction:
Submitted to:	Unit #:
Submitted by:	Drawing #:
Reference:	

- For FTX_B, FTK_B, FTXB_B models the unit is running based on a 1°C temperature control. The setpoint command will be rounded to °C to sent to the indoor unit. For some setpoints, the indoor unit temperature command may not change as shown in the table below.

User Setpoint on Controller (°F)	Actual Indoor Unit Setpoint (°F)
68	68
69	68
70	70
71	70
72	72
73	73
74	73
75	75
76	75
77	77
78	77
79	79
80	79
81	81
82	82

DIMENSIONS:



DAIKIN COMFORT TECHNOLOGIES NORTH AMERICA, INC.

19001 Kermier Road, Waller, TX, 77484

www.daikinac.com www.daikincity.com

Rev.0923



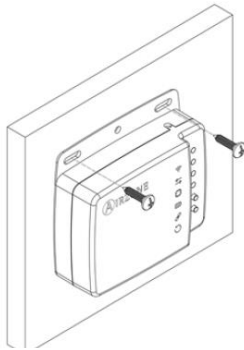
Submittal Data Sheet

AZAI6WSCDKB – DKN Residential Cloud Wi-Fi Adaptor for Single- and Multi-Zone System

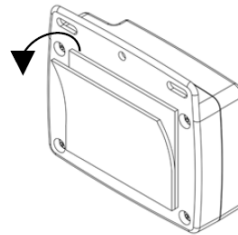
Project Name:	Approval:
Location:	Date:
Engineer:	Construction:
Submitted to:	Unit #:
Submitted by:	Drawing #:
Reference:	

MOUNTING:

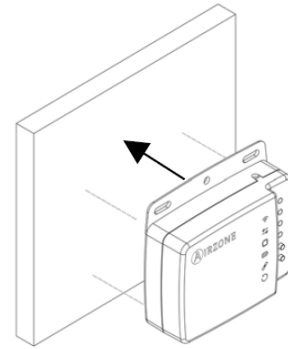
The Wi-Fi adaptor shall be mounted onto a flat surface either through screws or double-sided adhesive tape provided with the Wi-Fi adaptor.



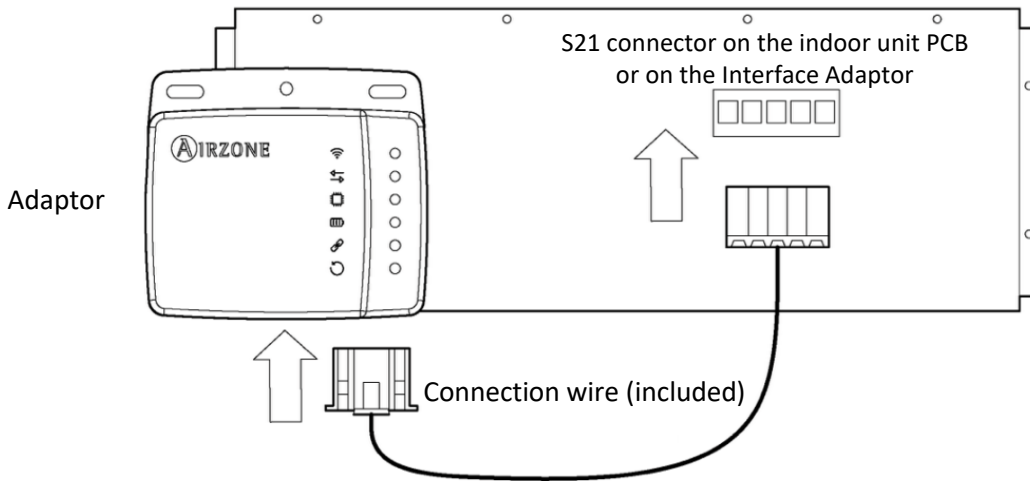
Screw attachment



Double-sided adhesive attachment



WIRING DIAGRAM:



DOCUMENTATION:

Documentation available on www.daikincity.com and/or www.daikinac.com:

- Submittal
- Guide specs
- Product flyer

DAIKIN COMFORT TECHNOLOGIES NORTH AMERICA, INC.

19001 Kermier Road, Waller, TX, 77484

www.daikinac.com www.daikincity.com

Rev.0923

(Daikin's products are subject to continuous improvements. Daikin reserves the right to modify product design, specifications and information in this data sheet without notice and without incurring any obligations)