

Project Name:	Approval:
Location:	Date:
Engineer:	Construction:
Submitted to:	Unit #:
Submitted by:	Drawing #:
Reference:	

### MODEL COMPATIBILITY:

Compatible with Single-Zone system indoor unit models:

Indoor Unit Models	Interface Adaptor
FTKB09AXVJU, FTKB12AXVJU, FTKB18AXVJU, FTKB24AXVJU, FTXB09AXVJU, FTXB12AXVJU, FTXB18AXVJU, FTXB24AXVJU, FTXB09BXVJU, FTXB12BXVJU, FTXB18BXVJU, FTXB24BXVJU	Not needed
CTX07AXVJU, CTX09AXVJU, CTX12AXVJU, FTK09AXVJU, FTK12AXVJU, FTK18AXVJU, FTK24AXVJU, FTX09AXVJU, FTX12AXVJU, FTX18AXVJU, FTX24AXVJU, FTK09BXVJU, FTK12BXVJU, FTK18BXVJU, FTK24BXVJU, FTX09BXVJU, FTX12BXVJU, FTX18BXVJU, FTX24BXVJU	Not needed

### SPECIFICATIONS:

<b>Model</b>	BRC51D61
<b>Description</b>	Wired Remote Controller Kit
<b>Maximum Indoor Units</b>	1
<b>Total Wiring Length</b>	32.8ft (10m)
<b>Dimensions</b>	4.72 in x 4.72 in x 0.78 in (120mm x 120mm x 19.5 mm)
<b>Connection Point</b>	CN_WIRED (FTK/XB_AXVJU) CN_NS (FTK/X_AXVJU, FTK/X_BXVJU, FTXB_BXVJU)
<b>Comfort Setpoint Range</b>	60°F – 86°F
<b>Operation</b>	Start / Stop
	Mode (Auto/Heat/Cool/Dry/Fan)
	Set Temperature Setpoint
	Fan Speed
	Airflow Direction
	Feature Selection (SLEEP, ECO+, POWERFUL, QUIET)
	Turn ON/OFF indoor unit LED display
<b>Scheduling</b>	Weekly ON/OFF Timer

### PRODUCT IMAGE:





# Submittal Data Sheet

## BRC51D61 – Wired Remote Controller Kit

Project Name:	Approval:
Location:	Date:
Engineer:	Construction:
Submitted to:	Unit #:
Submitted by:	Drawing #:
Reference:	

### FEATURES:

- The Wired Remote Controller Kit includes a wired remote controller, a 32 ft. connecting cable and mounting screws.
- Selectable auto / cool / heat / dry / fan operation modes with adjustable setpoint and fan speed
- Set temperature setpoint in °F or °C units with 1 degree increments
- Temperature is controlled through indoor unit temperature sensor
- Built in weekly ON/OFF timer functionality with up to 2 ON/OFF cycles per day
- Can be used together with the factory supplied standard wireless remote controller – the system will follow the last command provided by either the handheld remote or BRC51D61.
- Room temperature display available via jumper – readout is return air temp at the indoor unit.
- System maintains a 3° to 5°F temperature correction of the set point, depending on the mode of operation.
- The unit runs based on a 1°C temperature control. The setpoint command will be rounded to °C and sent to the indoor unit. For some setpoints, the indoor unit temperature command may not change as shown in the table below.

User Setpoint on Controller (°F)	Actual Indoor Unit Setpoint (°F)
68	68
69	68
70	70
71	70
72	72
73	73
74	73
75	75
76	75
77	77
78	77
79	79
80	79
81	81
82	82

**DAIKIN COMFORT TECHNOLOGIES NORTH AMERICA, INC.**

Rev.0923

19001 Kermier Road, Waller, TX, 77484

[www.daikinac.com](http://www.daikinac.com)   [www.daikincity.com](http://www.daikincity.com)

(Daikin's products are subject to continuous improvements. Daikin reserves the right to modify product design, specifications, and information in this data sheet without notice and without incurring any obligations)

Project Name: \_\_\_\_\_

Location: \_\_\_\_\_

Engineer: \_\_\_\_\_

Submitted to: \_\_\_\_\_

Submitted by: \_\_\_\_\_

Reference: \_\_\_\_\_

Approval: \_\_\_\_\_

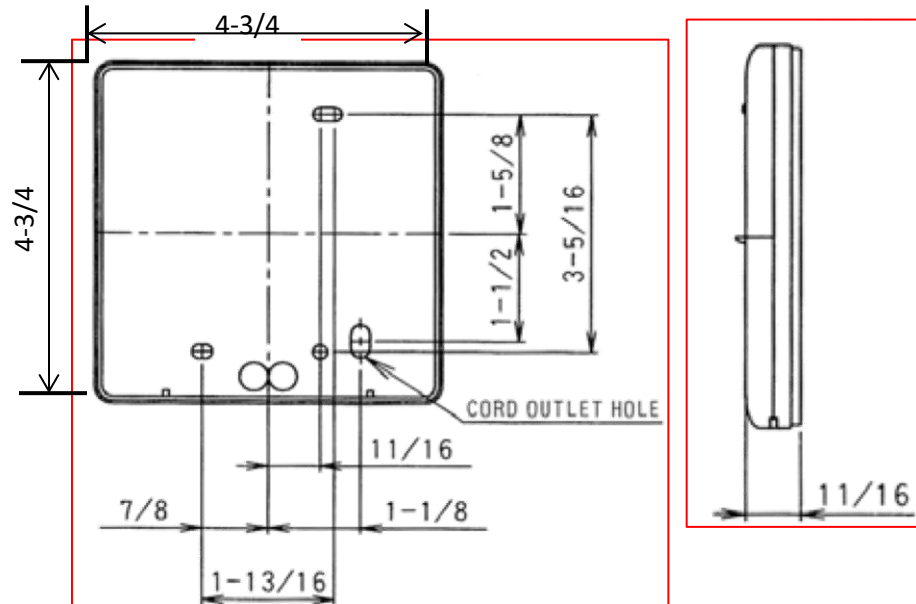
Date: \_\_\_\_\_

Construction: \_\_\_\_\_

Unit #: \_\_\_\_\_

Drawing #: \_\_\_\_\_

### DIMENSIONS:



### DOCUMENTATION:

Documentation available on [www.daikincity.com](http://www.daikincity.com) and/or [www.daikinac.com](http://www.daikinac.com):

- Submittal
- Operation Manual (including installation instructions)