

Project Name:	Approval:
Location:	Date:
Engineer:	Construction:
Submitted to:	Unit #:
Submitted by:	Drawing #:
Reference:	

MODEL COMPATIBILITY:

Compatible with Single-Zone and Multi-Zone indoor unit models: CDXS, CTXS, FDXS, FTK_N, FTK_A, FTK_B, FTX_A, FTX_B, FTX_N, FTX_U, FTXG*, FTXR, FTXS, FTXM, FVXS

*The Sarara drying function of the *QUATERNITY* units is not supported with the BRC944.

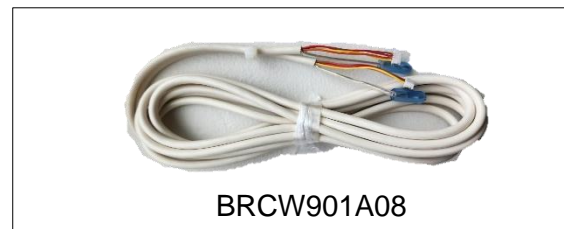
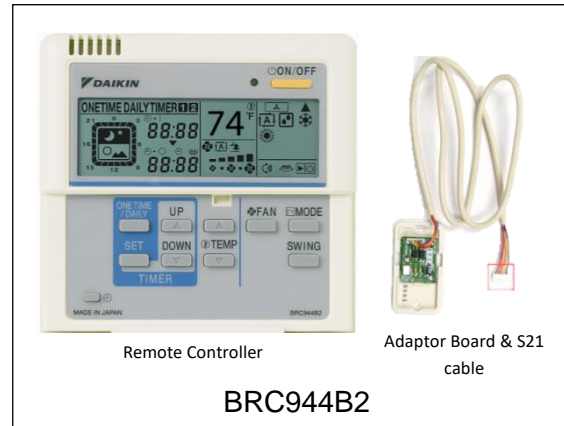
The following indoor units do not have the S21 connection and require an additional interface adaptor (ordered separately):

Indoor Unit Models	Required Interface Adaptor
FTX09NMVJU(A), FTX12NMVJU(A), FTX09WMVJU9, FTX12WMVJU9	KRP067A41E
FTX15NMVJU(A), FTX15WMVJU9	KRP980B2E
FTXM09VVJU, FTXM12VVJU, FTXM18VVJU, FTXM24VVJU, FTXM09WVJU9, FTXM12WVJU9, FTXM18WVJU9, FTXM24WVJU9	KER087A41

SPECIFICATIONS:

Model	BRC944B2-A08
Description	Wired Remote Controller Kit ¹
Maximum Indoor Units	1
Dimensions	4.75 in x 4.75 in x 0.69 in (120mm x 120mm x 17.5 mm)
Communication Protocol	S21
Comfort Setpoint Range	64°F – 90°F Set Point Range
Operation	Start / Stop
	Mode (Auto/Heat/Cool/Dry)
	Set Temperature Setpoint
	Fan Speed
Scheduling	Airflow Direction
	One-time Timer
	Daily Timer

PRODUCT IMAGE:



¹The Wired Remote Controller Kit includes the BRC944B2 (the remote controller, adaptor board and S21 cable) and the BRCW901A08 (wired remote controller cable).



Submittal Data Sheet

BRC944B2-A08 – Wired Remote Controller Kit

Project Name:	Approval:
Location:	Date:
Engineer:	Construction:
Submitted to:	Unit #:
Submitted by:	Drawing #:
Reference:	

FEATURES:

- Selectable auto / cool / heat / dry operation modes with adjustable setpoint and fan speed
- Set temperature setpoint in °F or °C units with 1-degree increments.
- Temperature is controlled through indoor unit temperature sensor.
- Built in one time or daily timer functionality with up to 2 timer actions per day.
- Approximately two-hour battery backup
- Can be used together with the factory supplied standard wireless remote controller.
- An additional or replacement wired remote controller cable can be ordered:
 - BRCW901A03: Non-plenum rated, 10ft.
 - BRCW901A08: Non-plenum rated, 26ft.
 - DACA-BRCW901P10: Plenum rated, 10ft.
 - DACA-BRCW901P25: Plenum rated, 25ft.
- For FTX_B, FTK_B, FTXB_B models the unit is running based on a 1°C temperature control. The setpoint command will be rounded to °C to send to the indoor unit. For some setpoints, the indoor unit temperature command may not change as shown in the table below.

User Setpoint on Controller (°F)	Actual Indoor Unit Setpoint (°F)
68	68
69	68
70	70
71	70
72	72
73	73
74	73
75	75
76	75
77	77
78	77
79	79
80	79
81	81
82	82

DAIKIN COMFORT TECHNOLOGIES NORTH AMERICA, INC.

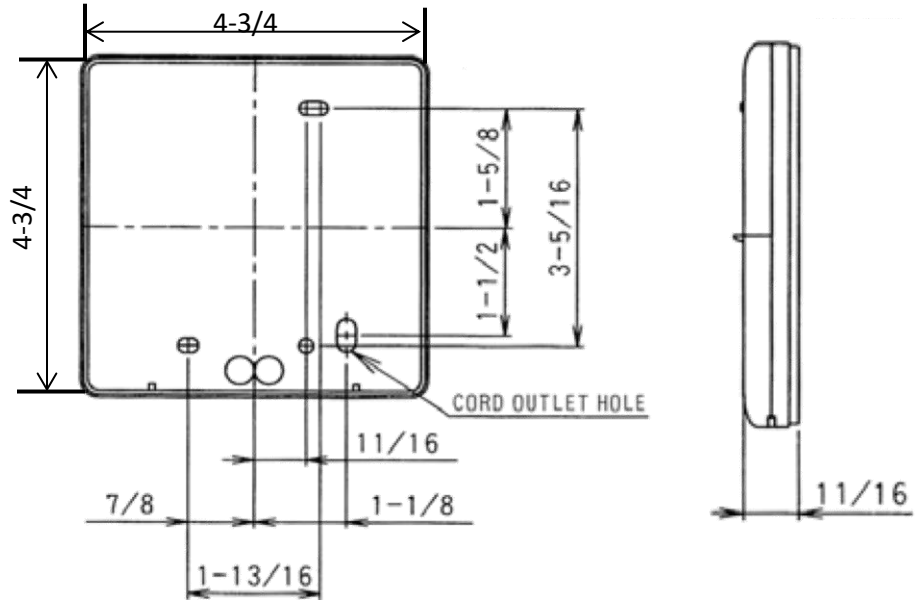
19001 Kermier Road | Waller, TX, 77484
www.daikinac.com www.daikincity.com

Rev.0923

(Daikin's products are subject to continuous improvements. Daikin reserves the right to modify product design, specifications and information in this data sheet without notice and without incurring any obligations)

Project Name:	Approval:
Location:	Date:
Engineer:	Construction:
Submitted to:	Unit #:
Submitted by:	Drawing #:
Reference:	

DIMENSIONS:



DOCUMENTATION:

Documentation available on www.daikincity.com and/or www.daikinac.com:

- Submittal
- Installation Manual
- Operation Manual