



# Submittal Data Sheet

Project Name: \_\_\_\_\_  
 Location: \_\_\_\_\_  
 Engineer: \_\_\_\_\_  
 Submitted to: \_\_\_\_\_  
 Submitted by: \_\_\_\_\_  
 Reference: \_\_\_\_\_

Approval: \_\_\_\_\_  
 Date: \_\_\_\_\_  
 Construction: \_\_\_\_\_  
 Unit #: \_\_\_\_\_  
 Drawing #: \_\_\_\_\_

**Performance**

MERV 8 Kit Model No.: DACA-MQ96M-8-1K  
 Initial Pressure Drop (IPD in H2O): See Table 1.0  
 Final Pressure Drop (FPD in H2O): .390

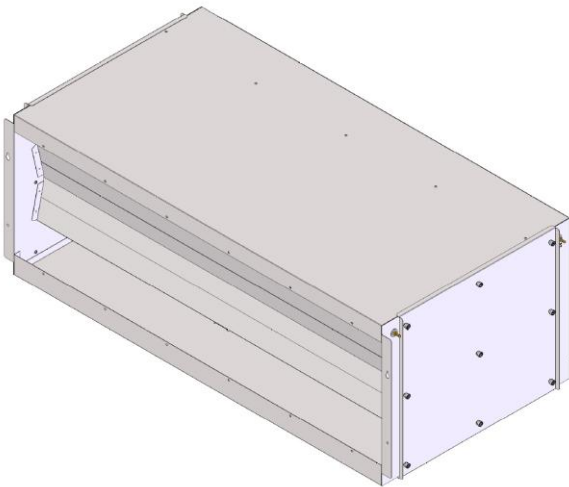
**Details**

Air Filter Dimensions (HxWxD nominal): 18.00" x 24.00" x 4.00"  
 Air Filter Dimensions (HxWxD exact): 17.38" x 23.38" x 3.75"  
 Cabinet Dimensions (HxWxD): 17.94" x 49.43" x 25.00"  
 Net Weight (lbs):  
 Air Filter, Cabinet and Packaging: 72.45  
 Air Filters (2 required): 7.40  
 Cabinet: 56.78  
 Replacement Filter(s):  
 Part No. (each): DACA-MQM-8-1  
 Part No. (box of 6): DACA-MQM-8-1B  
 Description: Air Filter, AmAir M8 Nominal Size MERV 8

**Table 1.0 Performance Data**

Model No.	Airflow CFM	Filter IPD	Filter FPD
<b>Daikin</b>			
FXMQ72MVJU	2047	.120	.390
FXMQ96MVJU	2542	.180	.390

**Appearance – MERV 8 Air Filter and Cabinet Kit**



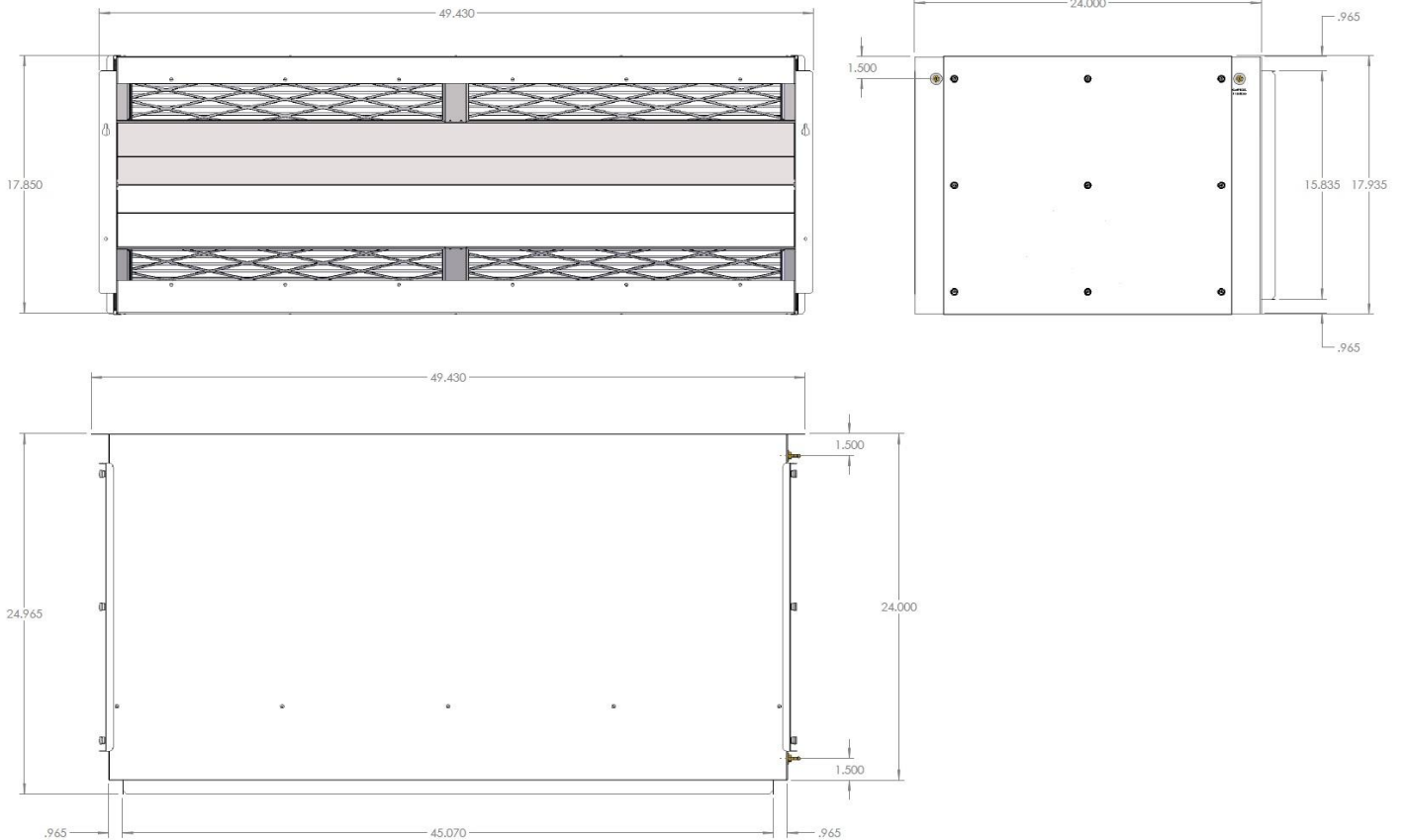


# Submittal Data Sheet

Project Name: \_\_\_\_\_  
Location: \_\_\_\_\_  
Engineer: \_\_\_\_\_  
Submitted to: \_\_\_\_\_  
Submitted by: \_\_\_\_\_  
Reference: \_\_\_\_\_

Approval: \_\_\_\_\_  
Date: \_\_\_\_\_  
Construction: \_\_\_\_\_  
Unit #: \_\_\_\_\_  
Drawing #: \_\_\_\_\_

## Dimensional Drawing – DACA-MQ96M-8-1K



Daikin AC (Americas), Inc., 1645 Wallace Drive, Suite 110, Carrollton, TX 75006