



Submittal Data Sheet
Sky-Air DC Ducted - P Series
FBQ42PVJU

INDOOR UNIT



OUTDOOR UNIT





Submittal Data Sheet

Sky-Air DC Ducted - P Series

FBQ42PVJU

SYSTEM PERFORMANCE

Rated Cooling Capacity (Btu/hr):	42,000	Rated Cooling Conditions:	Indoor (°F DB/WB): 80 / 67 Ambient (°F DB/WB): 95 / 75
Sensible Capacity (Btu/hr):	31,600	Rated Piping Length(ft):	
Max/Min Cooling Capacity (Btu/hr):	/	Rated Height Difference (ft):	
Cooling Input Power (kW):	3.490	Rated Heating Conditions:	Indoor (°F DB/WB): 70 / 60 Ambient (°F DB/WB): 47 / 43
SEER (Non-Ducted/Ducted):	/		
EER (Non-Ducted/Ducted):	/		
Rated Heating Capacity (Btu/hr):	47,000		

SYSTEM DETAILS

Refrigerant Type:	R-410A	Cooling Operation Range (°F DB):	-
Holding Refrigerant Charge (lbs):		Heating Operation Range (°F WB):	-
Additional Charge (lb/ft):		Max. Pipe Length (Vertical) (ft):	
Pre-charge Piping (Length) (ft):		Cooling Range w/Baffle (°F DB):	-
Max. Pipe Length (Total) (ft):		Heating Range w/Baffle (°F WB):	-
Max Height Separation (Ind to Ind ft):			



Submittal Data Sheet

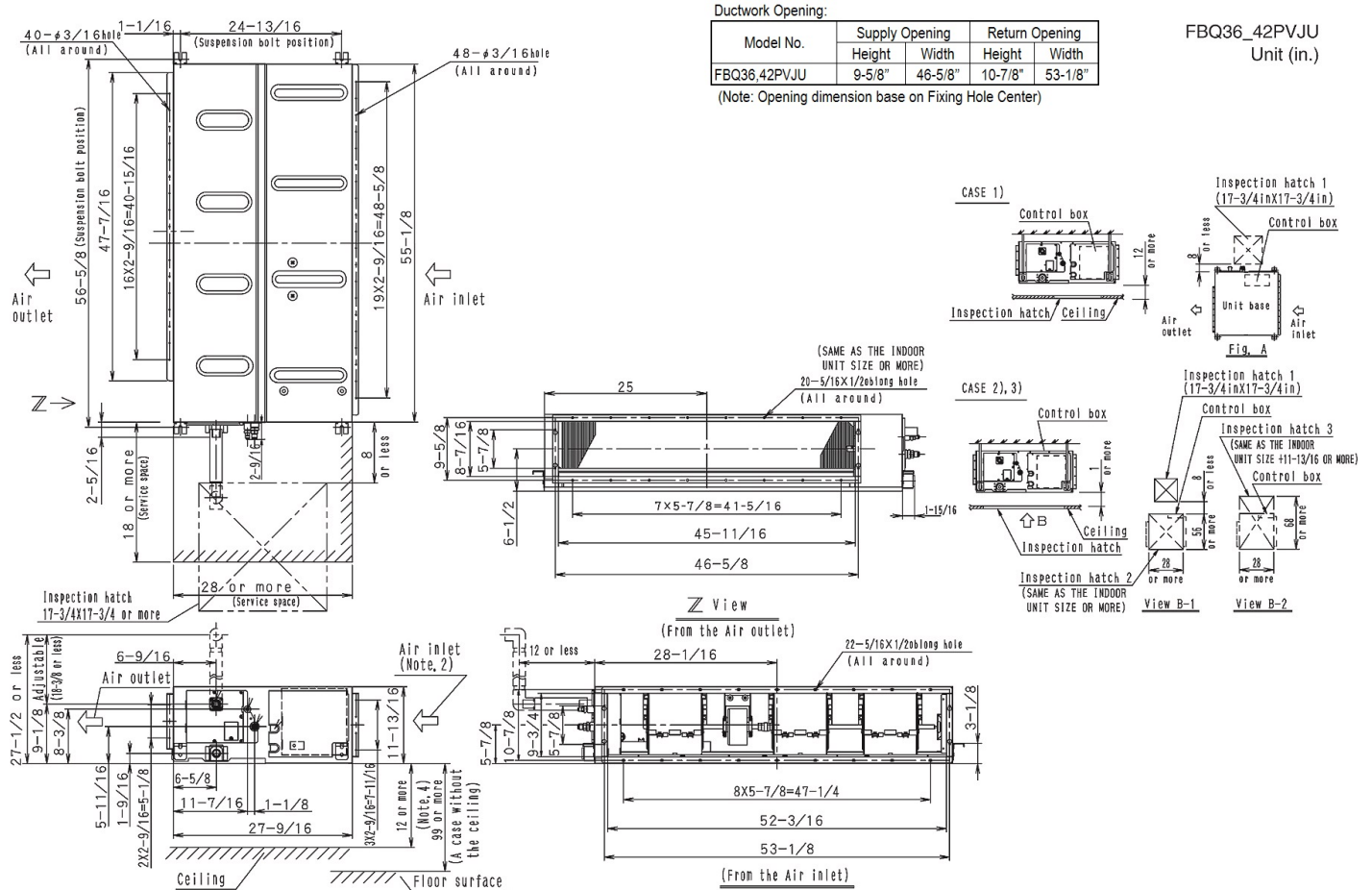
Sky-Air DC Ducted - P Series

FBQ42PVJU

INDOOR UNIT DETAILS

Power Supply (V/Hz/Ph):	208/230 / 60 / 1	Airflow Rate (H/M/L) (CFM):	1377/1,165/988
Power Supply Connections:	L1, L2, Ground	Moisture Removal (Gal/hr):	
Min. Circuit Amps MCA (A):	3.4	Gas Pipe Connection (inch):	5/8
Max Overcurrent Protection (MOP) (A):	15	Liquid Pipe Connection (inch):	3/8
Dimensions (HxWxD) (in):	11-13/16 x 55-1/8 x 27-9/16	Condensate Connection (inch):	1
Net Weight (lb):	102	Sound Pressure (H/M) (dBA):	44/42
Ext. Static Pressure (Rated/Max) (inWg):	0.8 / 0.8	Sound Power Level (dBA):	

DIMENSIONAL DRAWING - INDOOR UNIT



Daikin North America LLC, 5151 San Felipe, Suite 500, Houston, TX, 77056

Daikin City Generated Submittal Data

www.daikinac.com www.daikincomfort.com

(Daikin's products are subject to continuous improvements. Daikin reserves the right to modify product design, specifications and information in this data sheet without notice and without incurring any obligations)

Submittal Date: 11/3/2017 11:58:21 AM

Page 3 of 4

Submittal Data Sheet
 Sky-Air DC Ducted - P Series
 FBQ42PVJU

OUTDOOR UNIT DETAILS

Power Supply (V/Hz/Ph):	208/230 / 60 / 1	Compressor Stage:	
Power Supply Connections:	L1, L2, Ground	Capacity Control Range (%):	-
Min. Circuit Amps MCA (A):	3.4	Airflow Rate (H/M/L) (CFM):	1377/1,165/988
Max Overcurrent Protection (MOP) (A):	15	Gas Pipe Connection (inch):	5/8
Max Starting Current MSC(A):		Liquid Pipe Connection (inch):	3/8
Rated Load Amps RLA(A):		Sound Pressure (H/M) (dBA):	44/42
Dimensions (HxWxD) (in):	11-13/16 x 55-1/8 x 27-9/16	Sound Power Level (dBA):	
Net Weight (lb):	102		

DIMENSIONAL DRAWING - OUTDOOR UNIT

