



Submittal Data Sheet

Sky-Air Round Flow Cassette - P Series

FCQ18PAVJU

INDOOR UNIT



OUTDOOR UNIT





Submittal Data Sheet

Sky-Air Round Flow Cassette - P Series

FCQ18PAVJU

SYSTEM PERFORMANCE

Rated Cooling Capacity (Btu/hr):	18,000	Rated Cooling Conditions:	Indoor (°F DB/WB): 80 / 67 Ambient (°F DB/WB): 95 / 75
Sensible Capacity (Btu/hr):	14,100	Rated Piping Length(ft):	
Max/Min Cooling Capacity (Btu/hr):	/	Rated Height Difference (ft):	
Cooling Input Power (kW):	1.820	Rated Heating Conditions:	Indoor (°F DB/WB): 70 / 60 Ambient (°F DB/WB): 47 / 43
SEER (Non-Ducted/Ducted):	/		
EER (Non-Ducted/Ducted):	/		
Rated Heating Capacity (Btu/hr):	20,000		
Heating Input Power (kW):	1.82		

SYSTEM DETAILS

Refrigerant Type:	R-410A	Cooling Operation Range (°F DB):	-
Holding Refrigerant Charge (lbs):		Heating Operation Range (°F WB):	-
Additional Charge (lb/ft):		Max. Pipe Length (Vertical) (ft):	
Pre-charge Piping (Length) (ft):		Cooling Range w/Baffle (°F DB):	-
Max. Pipe Length (Total) (ft):		Heating Range w/Baffle (°F WB):	-
Max Height Separation (Ind to Ind ft):			

Submittal Data Sheet

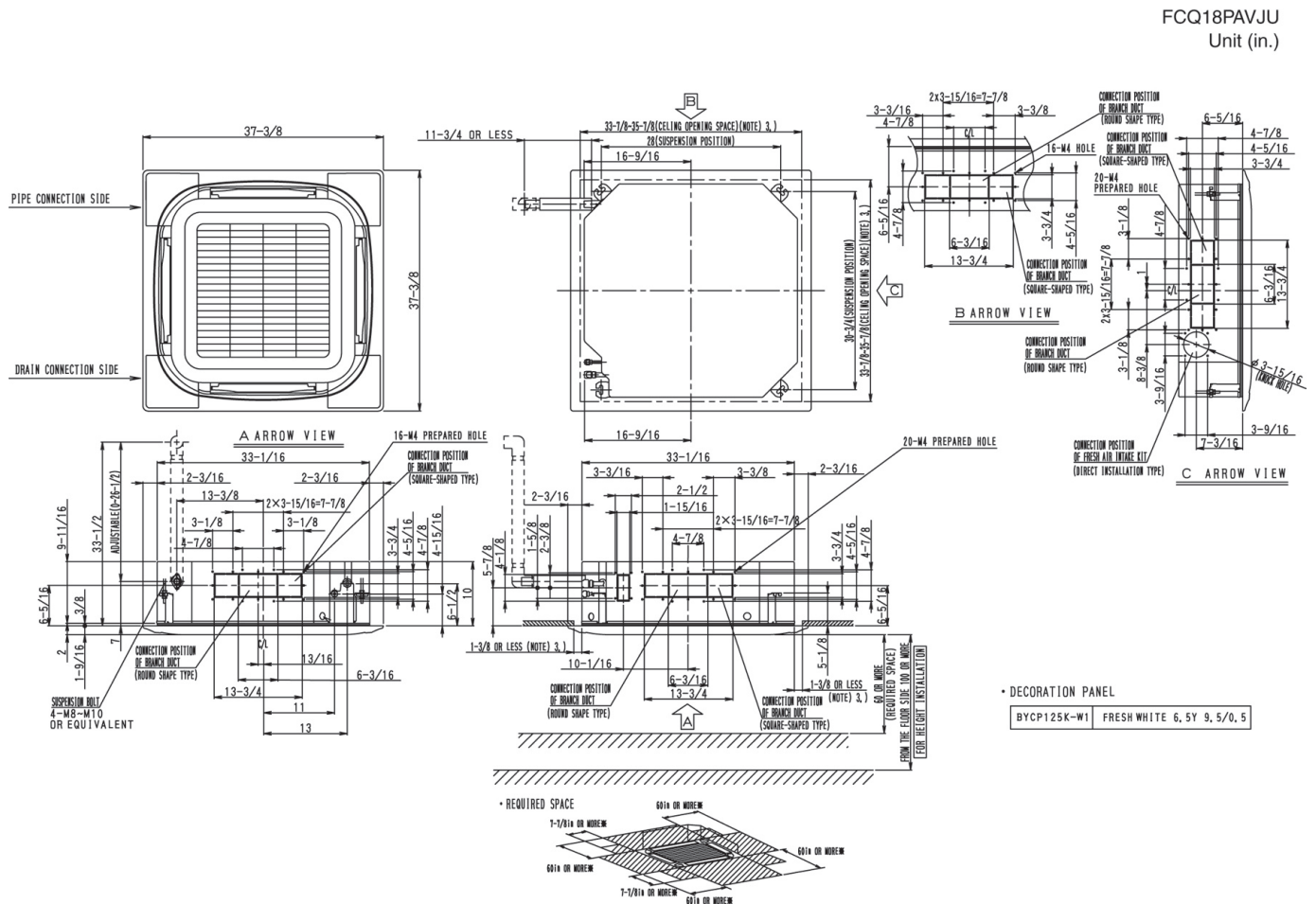
Sky-Air Round Flow Cassette - P Series

FCQ18PAVJU

INDOOR UNIT DETAILS

Power Supply (V/Hz/Ph):	208/230 / 60 / 1	Airflow Rate (H/M/L) (CFM):	560/470/390
Power Supply Connections:	L1, L2, Ground	Moisture Removal (Gal/hr):	
Min. Circuit Amps MCA (A):	0.4	Gas Pipe Connection (inch):	1/2
Max Overcurrent Protection (MOP) (A):	15	Liquid Pipe Connection (inch):	1/4
Dimensions (HxWxD) (in):	9-11/16 x 33-1/16 x 33-1/16	Condensate Connection (inch):	1
Net Weight (lb):	43	Sound Pressure (H/M/L) (dBA):	32/30/27
Ext. Static Pressure (Rated/Max) (inWg):	0 / 0	Sound Power Level (dBA):	

DIMENSIONAL DRAWING - INDOOR UNIT



Daikin North America LLC, 5151 San Felipe, Suite 500, Houston, TX, 77056

Daikin City Generated Submittal Data

www.daikinac.com www.daikincomfort.com

(Daikin's products are subject to continuous improvements. Daikin reserves the right to modify product design, specifications and information in this data sheet without notice and without incurring any obligations)

Submittal Data Sheet

Sky-Air Round Flow Cassette - P Series

FCQ18PAVJU

OUTDOOR UNIT DETAILS

Power Supply (V/Hz/Ph):	208/230 / 60 / 1	Compressor Stage:	
Power Supply Connections:	L1, L2, Ground	Capacity Control Range (%):	-
Min. Circuit Amps MCA (A):	0.4	Airflow Rate (H/M/L) (CFM):	560/470/390
Max Overcurrent Protection (MOP) (A):	15	Gas Pipe Connection (inch):	1/2
Max Starting Current MSC(A):		Liquid Pipe Connection (inch):	1/4
Rated Load Amps RLA(A):		Sound Pressure (H/M/L) (dBA):	32/30/27
Dimensions (HxWxD) (in):	9-11/16 x 33-1/16 x 33-1/16	Sound Power Level (dBA):	
Net Weight (lb):	43		

DIMENSIONAL DRAWING - OUTDOOR UNIT

