



Submittal Data Sheet
Sky-Air Ceiling Type - P Series
FHQ18PVJU

INDOOR UNIT



OUTDOOR UNIT





Submittal Data Sheet

Sky-Air Ceiling Type - P Series

FHQ18PVJU

SYSTEM PERFORMANCE

Rated Cooling Capacity (Btu/hr):	18,000	Rated Cooling Conditions:	Indoor (°F DB/WB): 80 / 67 Ambient (°F DB/WB): 95 / 75
Sensible Capacity (Btu/hr):	13,300	Rated Piping Length(ft):	
Max/Min Cooling Capacity (Btu/hr):	/	Rated Height Difference (ft):	
Cooling Input Power (kW):	1.570	Rated Heating Conditions:	Indoor (°F DB/WB): 70 / 60 Ambient (°F DB/WB): 47 / 43
SEER (Non-Ducted/Ducted):	/		
EER (Non-Ducted/Ducted):	/		
Rated Heating Capacity (Btu/hr):	20,000		

SYSTEM DETAILS

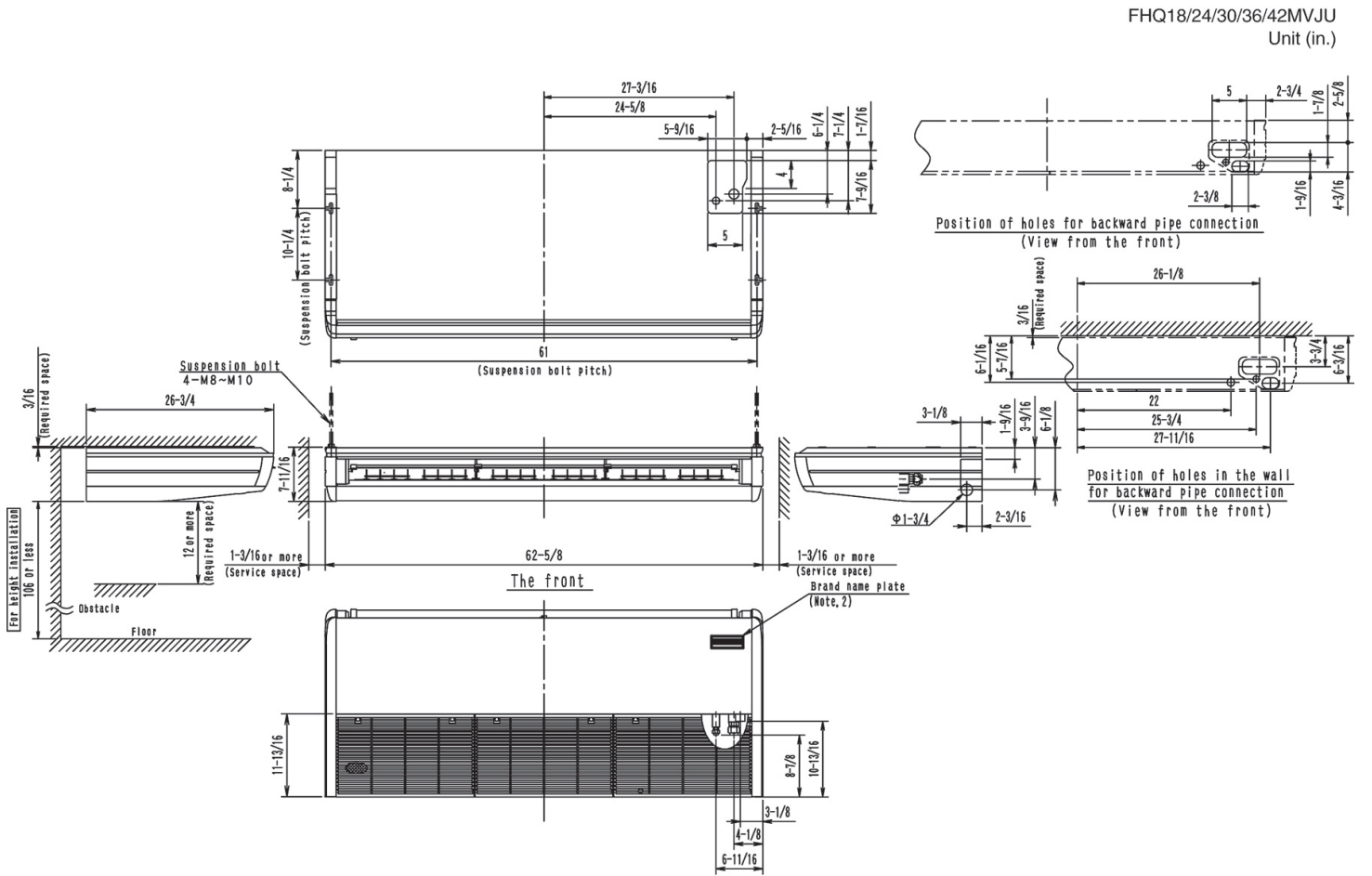
Refrigerant Type:	R-410A	Cooling Operation Range (°F DB):	-
Holding Refrigerant Charge (lbs):		Heating Operation Range (°F WB):	-
Additional Charge (lb/ft):		Max. Pipe Length (Vertical) (ft):	
Pre-charge Piping (Length) (ft):		Cooling Range w/Baffle (°F DB):	-
Max. Pipe Length (Total) (ft):		Heating Range w/Baffle (°F WB):	-
Max Height Separation (Ind to Ind ft):			

Submittal Data Sheet
 Sky-Air Ceiling Type - P Series
 FHQ18PVJU

INDOOR UNIT DETAILS

Power Supply (V/Hz/Ph):	208/230 / 60 / 1	Airflow Rate (H/L) (CFM):	790/670
Power Supply Connections:	L1, L2, Ground	Moisture Removal (Gal/hr):	
Min. Circuit Amps MCA (A):	1.3	Gas Pipe Connection (inch):	5/8
Max Overcurrent Protection (MOP) (A):	15	Liquid Pipe Connection (inch):	3/8
Dimensions (HxWxD) (in):	7-11/16 x 62-5/8 x 26-3/4	Condensate Connection (inch):	1
Net Weight (lb):	90	Sound Pressure (H) (dBA):	45
Ext. Static Pressure (Rated/Max) (inWg):	0 / 0	Sound Power Level (dBA):	

DIMENSIONAL DRAWING - INDOOR UNIT



Submittal Data Sheet
 Sky-Air Ceiling Type - P Series
 FHQ18PVJU

OUTDOOR UNIT DETAILS

Power Supply (V/Hz/Ph):	208/230 / 60 / 1	Compressor Stage:	
Power Supply Connections:	L1, L2, Ground	Capacity Control Range (%):	-
Min. Circuit Amps MCA (A):	1.3	Airflow Rate (H/L) (CFM):	790/670
Max Overcurrent Protection (MOP) (A):	15	Gas Pipe Connection (inch):	5/8
Max Starting Current MSC(A):		Liquid Pipe Connection (inch):	3/8
Rated Load Amps RLA(A):		Sound Pressure (H) (dBA):	45
Dimensions (HxWxD) (in):	7-11/16 x 62-5/8 x 26-3/4	Sound Power Level (dBA):	
Net Weight (lb):	90		

DIMENSIONAL DRAWING - OUTDOOR UNIT

