



Submittal Data Sheet

Sky-Air Cooling Only ODU

RZR18PVJU8

FEATURES

- 10 year limited parts and compressor warranty

BENEFITS

- Inverter Technology delivers precise temperature control and superior energy efficiency

INDOOR UNIT



OUTDOOR UNIT





Submittal Data Sheet

Sky-Air Cooling Only ODU

RZR18PVJU8

SYSTEM PERFORMANCE

Rated Cooling Capacity (Btu/hr):	18,000	Rated Cooling Conditions:	Indoor (°F DB/WB): 80 / 67 Ambient (°F DB/WB): 95 / 75
Sensible Capacity (Btu/hr):		Rated Piping Length(ft):	25
Max/Min Cooling Capacity (Btu/hr):	/	Rated Height Difference (ft):	0.00
Cooling Input Power (kW):			
SEER (Non-Ducted/Ducted):	/		
EER (Non-Ducted/Ducted):	/		

SYSTEM DETAILS

Refrigerant Type:	R-410A	Cooling Operation Range (°F DB):	23 - 115
Holding Refrigerant Charge (lbs):	5.1	Heating Operation Range (°F WB):	-
Additional Charge (lb/ft):	0.04	Max. Pipe Length (Vertical) (ft):	98
Pre-charge Piping (Length) (ft):	0	Cooling Range w/Baffle (°F DB):	-
Max. Pipe Length (Total) (ft):	164	Heating Range w/Baffle (°F WB):	-
Max Height Separation (Ind to Ind ft):	0		



Submittal Data Sheet

Sky-Air Cooling Only ODU

RZR18PVJU8

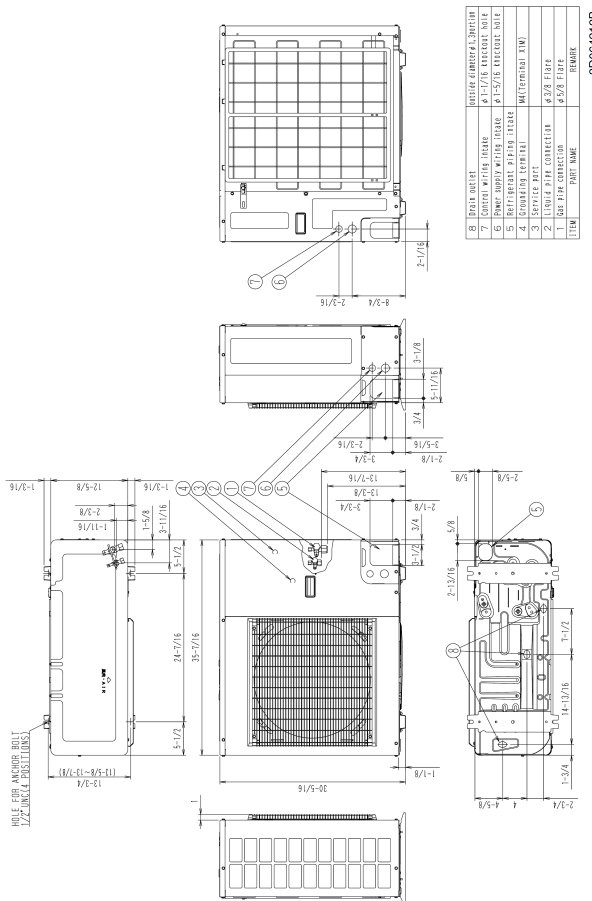
INDOOR UNIT DETAILS

Power Supply (V/Hz/Ph):	208/230 / 60 / 1	Airflow Rate (H) (CFM):	1835
Power Supply Connections:	L1, L2, Ground	Moisture Removal (Gal/hr):	
Min. Circuit Amps MCA (A):	16.5	Gas Pipe Connection (inch):	5/8
Max Overcurrent Protection (MOP) (A):	20	Liquid Pipe Connection (inch):	3/8
Dimensions (HxWxD) (in):	30-5/16 x 35-7/16 x 12-5/8	Condensate Connection (inch):	1
Net Weight (lb):	150	Sound Pressure (H) (dBA):	49
Ext. Static Pressure (Rated/Max) (inWg):	/	Sound Power Level (dBA):	

DIMENSIONAL DRAWING - INDOOR UNIT

RZR18PVJU8 / RZR24PVJU8 / RZR30PVJU8
 RZQ18PVJU8 / RZQ24PVJU8 / RZQ30PVJU8

Unit: in.





Submittal Data Sheet

Sky-Air Cooling Only ODU

RZR18PVJU8

OUTDOOR UNIT DETAILS

Power Supply (V/Hz/Ph):	208/230 / 60 / 1	Compressor Stage:	
Power Supply Connections:	L1, L2, Ground	Capacity Control Range (%):	-
Min. Circuit Amps MCA (A):	16.5	Airflow Rate (H) (CFM):	1835
Max Overcurrent Protection (MOP) (A):	20	Gas Pipe Connection (inch):	5/8
Max Starting Current MSC(A):		Liquid Pipe Connection (inch):	3/8
Rated Load Amps RLA(A):		Sound Pressure (H) (dBA):	49
Dimensions (HxWxD) (in):	30-5/16 x 35-7/16 x 12-5/8	Sound Power Level (dBA):	
Net Weight (lb):	150		

DIMENSIONAL DRAWING - OUTDOOR UNIT

RZR18PVJU8 / RZR24PVJU8 / RZR30PVJU8
RZQ18PVJU8 / RZQ24PVJU8 / RZQ30PVJU8

Unit: in.

