



Submittal Data Sheet

DSEN-TH-BWS-A-Daikin ONE Wireless
Temperature/Humidity Sensor

Project Name: _____

Location: _____

Engineer: _____

Submitted to: _____

Submitted by: _____

Reference: _____

Approval: _____

Date: _____

Construction: _____

Unit #: _____

Drawing #: _____

MODEL COMPATIBILITY:

DTST-CWBSA-NI-A & DTST-CWBSA-NI-B



SPECIFICATIONS:

PRODUCT IMAGE:

Model	DSEN-TH-BWS-A
Description	Daikin ONE Wireless RHT Sensor
Maximum Connections	8 sensors per Daikin One+
Power Requirements	CR2450 Lithium Cell Battery
Dimensions	1.64"L x 1.64"W x .69"H
Weight	3.3oz
Storage Temperature	-22F – 122F
Operation Temperature	35F to 104F
Humidity	5-95% RH
Compliance	FCC (sub-gig ISM radio)
Distance from Thermostat	40 ft (12m)*



Note: *Range may vary based on home construction materials, wireless interference, and other environmental factors. Always refer to the Quick Start Guide and use the pairing wizard to confirm signal strength before final mounting.



Submittal Data Sheet

DSEN-TH-BWS-A-Daikin ONE Wireless
Temperature/Humidity Sensor

Project Name: _____

Location: _____

Engineer: _____

Submitted to: _____

Submitted by: _____

Reference: _____

Approval: _____

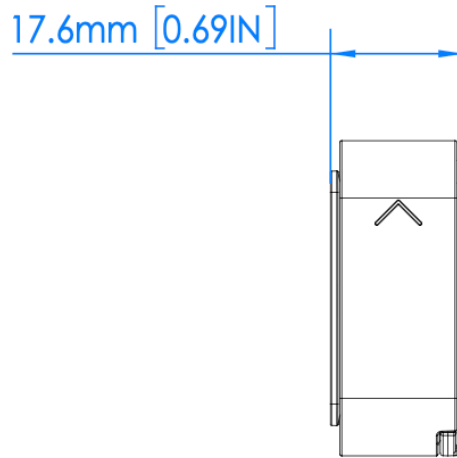
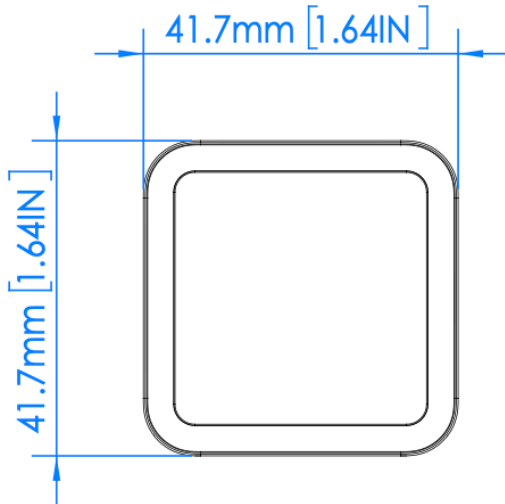
Date: _____

Construction: _____

Unit #: _____

Drawing #: _____

DIMENSIONS:



- Wireless RHT Sensor:

DOCUMENTATION:

Documentation available on www.daikincity.com and/or www.daikincomfort.com

- Submittal
- Installation Manual
- Product Flyer

©2025 DAIKIN COMFORT TECHNOLOGIES MANUFACTURING, INC. • 19001 Kermier Rd Waller, TX • Printed in the USA.

www.daikincomfort.com www.daikincity.com

(Daikin's products are subject to continuous improvements. Daikin reserves the right to modify product design, specifications and information in this data sheet without notice and without incurring any obligations)