



Submittal Data Sheet

DTA104A53/61/62 – External Control Adaptor for Outdoor Unit

Project Name:	Approval:
Location:	Date:
Engineer:	Construction:
Submitted to:	Unit #:
Submitted by:	Drawing #:
Reference:	

MODEL COMPATIBILITY:

Part Number	Compatible Indoor Unit Models
DTA104A53	FXZQ, FXDQ, FXTQ, CXTQ
DTA104A61	FXMQ, FXAQ, FXLQ, FXNQ
DTA104A62	FXFQ, FXHQ

Required Installation Kit/ Mounting Plate:

Installation Kit/ Mounting Plate	Compatible Indoor Unit Models
KRP1BA101	FXDQ, FXTQ, FXZQ, CXTQ
KRP1H98	FXFQ
KRP1C93	FXHQ
KRP4A93	FXAQ
KRP4A96	FXMQ

SPECIFICATIONS:

Model	DTA104A53/61/62
Description	External Control Adaptor for Outdoor Unit
Maximum Connections	Up to 10 outdoor units
Power	16VDC Supplied by Indoor Unit PCB or by External Power Supply
Dimensions	3.94 x 3.94 inch (100 x 100 mm)
Communication Wire	18AWG-2, No polarity Stranded, Non-shielded
Total Wiring Length	3,280 ft. (1000 m)
Weight (Mass)	0.18 lbs. (80 g)

PRODUCT IMAGE:



FEATURES:

- Provides unified changeover of Cool/Heat mode among outdoor units
 - Change the mode of several outdoor units by one remote controller
- Control/limit peak demand operation of the outdoor unit to:
 - Step1: 70%(default value, configurable by outdoor unit field setting)
 - Step2: 40% (default value, configurable by outdoor unit field setting)
 - Step3: 0%(forced thermo-off)
- Low Noise Control:
 - limits outdoor unit fan step (configurable by outdoor unit field setting)

Daikin North America LLC, 5151 San Felipe, Suite 500, Houston TX, 77056
www.daikinac.com www.daikincity.com

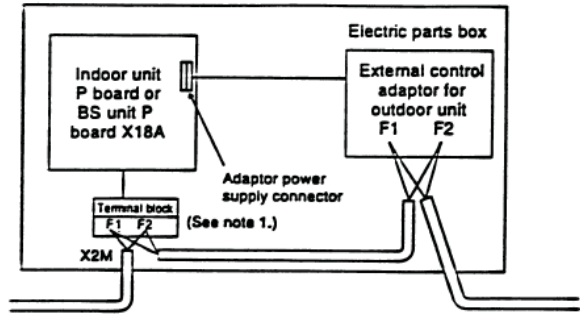
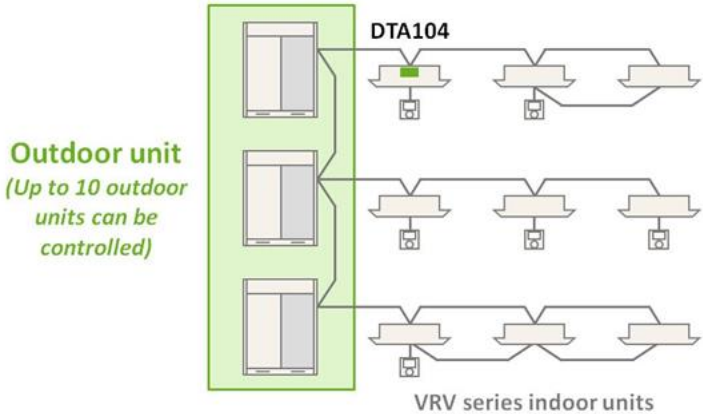
(Daikin's products are subject to continuous improvements. Daikin reserves the right to modify product design, specifications and information in this data sheet without notice and without incurring any obligations)

Project Name: _____
 Location: _____
 Engineer: _____
 Submitted to: _____
 Submitted by: _____
 Reference: _____

Approval: _____
 Date: _____
 Construction: _____
 Unit #: _____
 Drawing #: _____

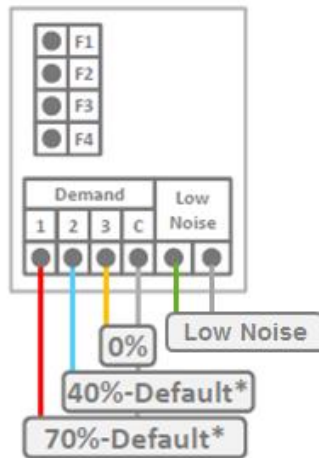
SYSTEM DIAGRAM:

Wired inside the indoor unit or the BS box:



Note 1: If mounting on a BS unit, connect the BS unit's terminal block (F1 and F2, indoor unit side) with F1 and F2 of the adaptor.

Demand control and low noise control wiring:



* The value is configured by outdoor unit field setting

DOCUMENTATION:

Documentation available on www.daikincity.com and/or www.daikinac.com:

- Submittal
- Installation Manual