



Submittal Data Sheet

DTST-TOU-A Daikin ONE Touch Smart Thermostat

Project Name: _____	Approval: _____
Location: _____	Date: _____
Engineer: _____	Construction: _____
Submitted to: _____	Unit #: _____
Submitted by: _____	Drawing #: _____
Reference: _____	

MODEL COMPATIBILITY:

	Type	Compatible Family (Models starting with)
R-32 Unitary Split Systems	Outdoor Unit	DC_VS, DC7TC, DH_VS, DH_TC
	Air Handling Unit	D_VE, A_VE
	Coil	CAPE, CHPE
	Modular Blower	MBVK
	Gas Furnace	DP__MC, DR_SC, DD_SC, DD__MC, DR__TC, DD_TC

Indoor Air Quality	Home Air Monitor	DSEN-HAQA (Only compatible with ducted units)
---------------------------	------------------	---

	Type	Compatible Family (Models starting with)
Ductless Mini- & Multi-Split Systems	R-32 12RC Indoor Units	CMXV
	R-32 S21 Indoor Units ¹	FTXC, FTXV(09/12/15/18/24) ² , FTXV(30/36) ⁴ , CTXV ² , FTKF_B ² , FVXV ⁴ , FTXF_B ² , FTXQ ² , FTXM ⁴
	R-32 P1/P2 Indoor Units ¹	FDMA, CDMA
	R-410A S21 Indoor Units ¹	CDXS, CTXS ² , FDXS, FTX ² , FTXB ² , FTXG [^] , FTX09_12N ² , FTX15_18_24N ³ , FTXR, FTXS, FVXS ³
	R-410A P1/2P Indoor Units ¹	CDMQ, FDMQ, FFQ

¹ Must purchase and install communication adaptor DAPT-ONE-VMS

² Must purchase S21 adapter KRP067A41E

³ Must purchase S21 adapter KRP980B2E

⁴ Must purchase S21 adapter KER087A41

[^] The Sarara drying function of the QUATERNITY units is not supported with Daikin *ONE+* touch smart thermostat, but the dehumidification function Daikin *ONE+* of the can be used with the QUATERNITY indoor units.

	Type	Compatible Family (Models starting with)
SkyAir and VRV Systems⁵	R-32 VRV Indoor Units	FXAA, FXFA, FXSA, FXMA, FXTA, FXZA
	R410A VRV Indoor Units	FXAQ, FXDQ, FXFQ, FXLQ, FXMQ, FXNQ, FXSQ, FXZQ
	R-32 SkyAir Indoor Units	FAA, FBA, FCA, FTA
	R-410A SkyAir Indoor Units	FAQ, FBQ, FCQ, FHQ, FTQ

⁵ Must purchase and install communication adaptor DAPT-ONE-VMS



Submittal Data Sheet

DTST-TOU-A Daikin ONE Touch Smart Thermostat

Project Name:	
Location:	Approval:
Engineer:	Date:
Submitted to:	Construction:
Submitted by:	Unit #:
Reference:	Drawing #:

SPECIFICATIONS:

Model	DTST-TOU-A
Description	Daikin ONE Touch Smart Thermostat
Maximum Connections	1
Max Wiring Length	125 ft (Field-supplied, 18AWG, 4-core non-shielded stranded wire)
Power Supply	Obtained from the indoor unit/ <i>translation adaptor</i>
Dimensions	0.86"L x 3.4"W x 4.74"H
Weight	5.5 oz
Storage Temperature	32°F to 120°F
Ambient Operating Temperature	32°F to 120°F
Humidity	20 to 95% RH (non-condensing)
Compliance	Compliant to California Title 24 (OCST listed), FCC Certified (FCC Part 15 subpart B), UL Listed

PRODUCT IMAGE:

Thermostat:



FEATURES:

- Simple, elegant industrial design
- Capacitive touchscreen user interface
- Wi-Fi-enabled smart thermostat with iOS and Android app control
- Voice control by Amazon Alexa and Google Assistant
- Multi-language support: English, Spanish, French
- 1 Auxiliary output (dry contact), configurable as humidifier, dehumidifier, primary or secondary heat source
- Over-the-air software update capable (requires wi-fi connection)
- Error and service notifications
- Programmable 4-event schedule with adjustable hold function
- Energy and comfort functions: Away mode, geo-fencing
- Outdoor environment monitoring: outdoor temperature, outdoor humidity, and weather forecast (requires wi-fi connection)
- Compatible with Daikin One Home Air Monitor for IAQ visualization (ducted systems only)
- Compatible with Daikin One Cloud Services (requires wi-fi connection)
- Open API compatible for home control systems such as Control4 and Crestron
- Title 24 compliant

©2026 DAIKIN COMFORT TECHNOLOGIES MANUFACTURING, INC. • 19001 Kermier Rd Waller, TX • Printed in the USA.

www.daikincomfort.com www.daikincity.com

(Daikin's products are subject to continuous improvements. Daikin reserves the right to modify product design, specifications and information in this data sheet without notice and without incurring any obligations)



Submittal Data Sheet

DTST-TOU-A Daikin ONE Touch Smart Thermostat

Project Name: _____	Approval: _____
Location: _____	Date: _____
Engineer: _____	Construction: _____
Submitted to: _____	Unit #: _____
Submitted by: _____	Drawing #: _____
Reference: _____	

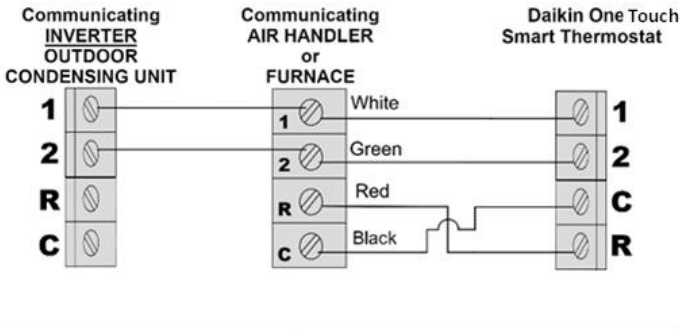
SYSTEM DIAGRAM(UNITARY):



Project Name: _____
 Location: _____
 Engineer: _____
 Submitted to: _____
 Submitted by: _____
 Reference: _____

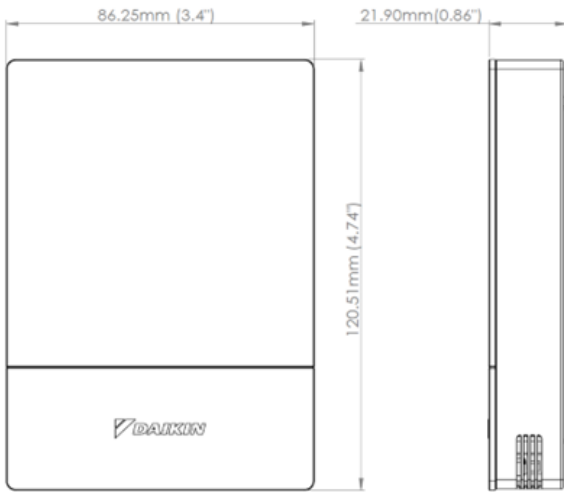
Approval: _____
 Date: _____
 Construction: _____
 Unit #: _____
 Drawing #: _____

WIRING DIAGRAM(UNITARY):



DIMENSIONS:

- Thermostat:



DOCUMENTATION:

Documentation available on www.daikincity.com and/or www.daikincomfort.com

- Installation Manual
- Product Flyer

©2026 DAIKIN COMFORT TECHNOLOGIES MANUFACTURING, INC. • 19001 Kermier Rd Waller, TX • Printed in the USA.

www.daikincomfort.com www.daikincity.com

(Daikin's products are subject to continuous improvements. Daikin reserves the right to modify product design, specifications and information in this data sheet without notice and without incurring any obligations)