



Submittal Data Sheet

14.5 IEER, Heat Pump System, 10.0 Ton, Outdoor Unit-DZ14XA1204A*

Submitted By : Daikin

Submitted To : N/A

Tags : AHRI 210605690 Products [DZ14XA1204A* , DAX12044A* ,] , IEER 14.5 , EER 11.0 , HSPF 0.0

STANDARD FEATURES:

- Two-Stage energy efficient compressor
- High capacity steel cased bi-flow heat pump filter drier
- Liquid refrigerant return protection.
- Reliable, Time-initiated, temperature terminated defrost control.
- Brass liquid and suction line service valves mounted at a 90 degree angle with sweat connections and service ports.
- High-Efficiency copper tube/aluminum fin coil
- Complies with ASHRAE 90.1-2019
- AHRI Certified
- ETL Listed

CABINET FEATURES:

- Innovative sound control top design
- Steel Louver coil guard protects the coil from damage and adds strength to unit
- Heavy-gauge galvanized steel cabinet
- Attractive nickel gray powder-paint finish



19001 Kermier Rd, Waller, TX 77484

www.daikinac.com www.daikincomfort.com

(Daikin's products are subject to continuous improvements. Daikin reserves the right to modify product design, specifications and information in this data sheet without notice and without incurring any obligations)



Submittal Data Sheet

14.5 IEER, Heat Pump System, 10.0 Ton, Outdoor Unit-DZ14XA1204A*

Submitted By : Daikin

Submitted To : N/A

Tags : AHRI 210605690 Products [DZ14XA1204A* , DAX12044A* ,] , IEER 14.5 , EER 11.0 , HSPF 0.0

SYSTEM PERFORMANCE

Outdoor Unit Model No.:	DZ14XA1204A*	Description :	0.0 SEER2, Heat Pump System, 10.0 Ton Outdoor System
Indoor Unit Model No.:	DAX12044A*		
TXV/PISTON :	Factory		
Rated Cooling Conditions:	Outdoor (°F DB/WB):95/75 Indoor (°F DB/WB):80/67	Rated Heating Conditions:	Outdoor (°F DB/WB):95/75 Indoor (°F DB/WB):80/67
Rated Cooling Capacity (Btu/hr):	N/A	OD Rated Heating Capacity (Btu/hr)	N/A
EER2:	N/A	EER:	11.0
Heating COP:	N/A	SEER2:	N/A
IEER:	14.5	* HSPF:	N/A
* HSPF2:	N/A		

OUTDOOR UNIT DETAILS : DZ14XA1204A*

Power Supply (V/Hz/Ph):	460/60/3	Compressor Type:	Scroll
Min. Circuit Amps MCA (A):	22.0	Compressor Stages:	Two Stage
Quantity:	1	Max Overcurrent Protection (MOP) (A):	35
Suction Valve Connection Size (in):	1-3/8	Compressor Rated Load Amps :	14.8
Liquid Valve Connection Size (in):	5/8	Refrigerant Type:	R-410A
Sound Power(High/Med/Low) (dBA):	84.4 / - / -	Holding Refrigerant Charge (oz):	55
Cooling Operation Range (°F DB):	65 - 115	Additional Charge (oz/ft):	-
Heating Operation Range (°F DB):	-5 - 65	Pre-charge Piping (Length) (ft):	15
Net Weight (lb):	-	Dimensions (HxWxD) (in):	41.5 x 35.5 x 35.5
Gross Weight (lb):	367	*Max. Pipe Length (Vertical) (ft):	-
*Max. Pipe Length (Total) (ft):	-		

**Refer to Long Line Set Application TP-107 for lines greater than 80 ft. or vertical elevation changes more than 50 ft. for single stage equipment and 25 ft. for 2-stage equipment.*

19001 Kermier Rd, Waller, TX 77484
www.daikinac.com www.daikincomfort.com

(Daikin's products are subject to continuous improvements. Daikin reserves the right to modify product design, specifications and information in this data sheet without notice and without incurring any obligations)



Submittal Data Sheet

14.5 IEER, Heat Pump System,10.0 Ton, Outdoor Unit-DZ14XA1204A*

Submitted By : Daikin

Submitted To : N/A

Tags : AHRI 210605690 Products [DZ14XA1204A* , DAX12044A* ,] , IEER 14.5 , EER 11.0 , HSPF 0.0

LIST OF ACCESSORIES : DZ14XA1204

Model No.	Description	Quantity Required
ABK-20	ANCHOR BRACKET KIT	1
LSK01A	SOLENOID KIT FOR REM	1
0130L00024	CRANK CASE HEATER 70W, 480V	1
0130L00023	CRANK CASE HEATER 70W 240V	1
LAKT00HP	Low Ambient Kit	1
OT18-60-01A	Outdoor Thermostat Kit	1
ASC02A	Anti-Short Cycle Kit	1

19001 Kermier Rd, Waller, TX 77484

www.daikinac.com www.daikincomfort.com

(Daikin's products are subject to continuous improvements. Daikin reserves the right to modify product design, specifications and information in this data sheet without notice and without incurring any obligations



Submittal Data Sheet

14.5 IEER, Heat Pump System, 10.0 Ton, Outdoor Unit-DZ14XA1204A*

Submitted By : Daikin

Submitted To : N/A

Tags : AHRI 210605690 Products [DZ14XA1204A* , DAX12044A* ,] , IEER 14.5 , EER 11.0 , HSPF 0.0

19001 Kermier Rd, Waller, TX 77484
www.daikinac.com www.daikincomfort.com

(Daikin's products are subject to continuous improvements. Daikin reserves the right to modify product design, specifications and information in this data sheet without notice and without incurring any obligations)



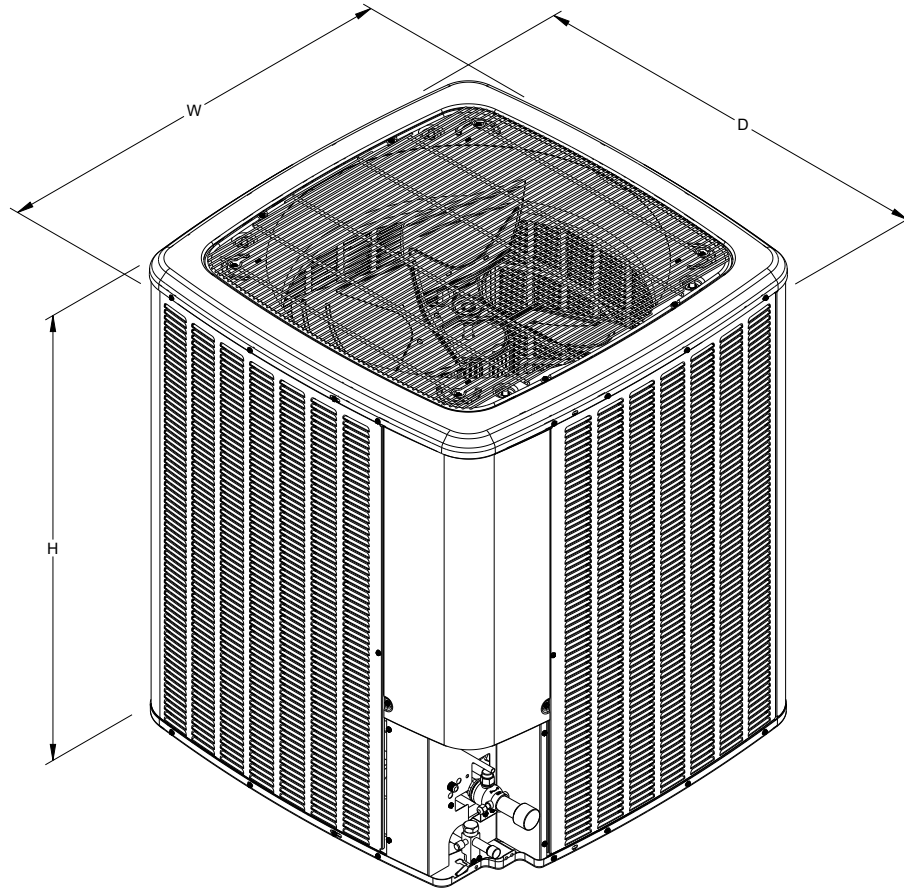
Submittal Data Sheet

14.5 IEER, Heat Pump System, 10.0 Ton, Outdoor Unit-DZ14XA1204A*

Submitted By : Daikin

Submitted To : N/A

Tags : AHRI 210605690 Products [DZ14XA1204A* , DAX12044A* ,] , IEER 14.5 , EER 11.0 , HSPF 0.0



Model	Dimensions		
	W"	D"	H"
DZ14XA0903A*	35½"	35½"	41½"
DZ14XA0904A*	35½"	35½"	41½"
DZ14XA1203A*	35½"	35½"	41½"
DZ14XA1204A*	35½"	35½"	41½"

19001 Kermier Rd, Waller, TX 77484

www.daikinac.com www.daikincomfort.com

(Daikin's products are subject to continuous improvements. Daikin reserves the right to modify product design, specifications and information in this data sheet without notice and without incurring any obligations)



Submittal Data Sheet

14.5 IEER, Heat Pump System, 10.0 Ton, Outdoor Unit-DZ14XA1204A*

Submitted By : Daikin

Submitted To : N/A

Tags : AHRI 210605690 Products [DZ14XA1204A* , DAX12044A* ,] , IEER 14.5 , EER 11.0 , HSPF 0.0

STANDARD FEATURES:

- Uplflow or horizontal (left side) installation positions in 7½ and 10-ton cooling only or heat pump applications
- TXV Control
- Units have two (2) thermal expansion valves
- DAX units feature two 5-speed direct-drive motors
- AHRI Certified
- ETL Listed

CABINET FEATURES:

- Heavy-gauge, reinforced, galvanized-steel cabinet
- Fully insulated with fiberglass blanket
- Horizontal and vertical condensate pans
- Built-in filter rack (2" filter included)
- Entry on top of panel for both low and high voltage
- Removable access panels make servicing of unit faster and easier



19001 Kermier Rd, Waller, TX 77484

www.daikinac.com www.daikincomfort.com

(Daikin's products are subject to continuous improvements. Daikin reserves the right to modify product design, specifications and information in this data sheet without notice and without incurring any obligations)



Submittal Data Sheet

14.5 IEER, Heat Pump System,10.0 Ton, Outdoor Unit-DZ14XA1204A*

Submitted By : Daikin

Submitted To : N/A

Tags : AHRI 210605690 Products [DZ14XA1204A* , DAX12044A* ,] , IEER 14.5 , EER 11.0 , HSPF 0.0

INDOOR AIR HANDLER UNIT DETAILS : DAX12044

Quantity:	1	Configuration:	Upflow
Power Supply (V/Hz/Ph):	460/60/3	Suction Connection Size (in):	-
Min. Circuit Amps MCA (A):	-	Liquid Connection Size (in):	-
Max Overcurrent Protection (MOP) (A):	-	Condensate Connection (in):	3/4
Net Weight (lb):	-	Dimensions (HxWxD) (in):	- x - x -
Gross Weight (lb):	410	Power Voltage (lb):	460
Current Type :	-	Power Phase:	3
Power Frequency :	60	Min Voltage :	-
Max Voltage :	-	MCA :	-
MOP :	-	Electric Heat Range :	15;20;30
Indoor Blower FLA :	-	Fan Motor Output :	-

19001 Kermier Rd, Waller, TX 77484

www.daikinac.com www.daikincomfort.com

(Daikin's products are subject to continuous improvements. Daikin reserves the right to modify product design, specifications and information in this data sheet without notice and without incurring any obligations



Submittal Data Sheet

14.5 IEER, Heat Pump System,10.0 Ton, Outdoor Unit-DZ14XA1204A*

Submitted By : Daikin

Submitted To : N/A

Tags : AHRI 210605690 Products [DZ14XA1204A* , DAX12044A* ,] , IEER 14.5 , EER 11.0 , HSPF 0.0

INDOOR HEATKIT UNIT DETAILS : DAX12044

HeatKit	BreakerHKDC	CircuitHKDC	VoltageHKDC	Mop	Mca	TotalUnitsInAmps
AHKD15-4A			480	30	28.3	
AHKD30-4A			480	60	50.9	
AHKD20-4A			480	40	35.8	

19001 Kermier Rd, Waller, TX 77484

www.daikinac.com www.daikincomfort.com

(Daikin's products are subject to continuous improvements. Daikin reserves the right to modify product design, specifications and information in this data sheet without notice and without incurring any obligations



Submittal Data Sheet

14.5 IEER, Heat Pump System, 10.0 Ton, Outdoor Unit-DZ14XA1204A*

Submitted By : Daikin

Submitted To : N/A

Tags : AHRI 210605690 Products [DZ14XA1204A* , DAX12044A* ,] , IEER 14.5 , EER 11.0 , HSPF 0.0

LIST OF ACCESSORIES : DAX12044

Model No.	Description	Quantity Required
TX3N4	TXV Kit - 3 Ton Non-Bleed R410A	1
TX5N4	5 Ton TXV Kit - Non-Bleed R410A	1
AHKD30-4A	Elec Heatkit 30Kw 480V	1
AHKD20-4A	Elec Heatkit 20Kw 480V	1
AHKD15-4A	Elec Heatkit 15Kw 480V	1
FSK04A	Freeze Stat Kit	1

19001 Kermier Rd, Waller, TX 77484

www.daikinac.com www.daikincomfort.com

(Daikin's products are subject to continuous improvements. Daikin reserves the right to modify product design, specifications and information in this data sheet without notice and without incurring any obligations)



Submittal Data Sheet

14.5 IEER, Heat Pump System,10.0 Ton, Outdoor Unit-DZ14XA1204A*

Submitted By : Daikin

Submitted To : N/A

Tags : AHRI 210605690 Products [DZ14XA1204A* , DAX12044A* ,] , IEER 14.5 , EER 11.0 , HSPF 0.0

19001 Kermier Rd, Waller, TX 77484
www.daikinac.com www.daikincomfort.com

(Daikin's products are subject to continuous improvements. Daikin reserves the right to modify product design, specifications and information in this data sheet without notice and without incurring any obligations



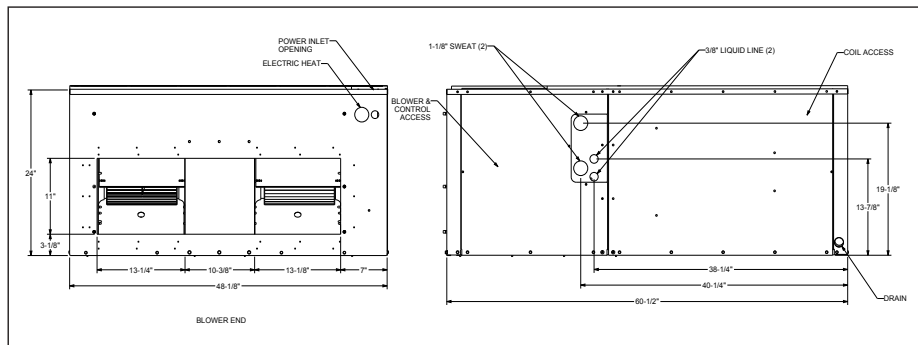
Submittal Data Sheet

14.5 IEER, Heat Pump System, 10.0 Ton, Outdoor Unit-DZ14XA1204A*

Submitted By : Daikin

Submitted To : N/A

Tags : AHRI 210605690 Products [DZ14XA1204A* , DAX12044A* ,] , IEER 14.5 , EER 11.0 , HSPF 0.0

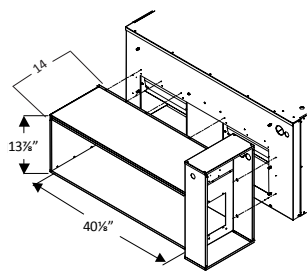


DUCT CONNECTION SIZING WITHOUT ELECTRIC HEATERS

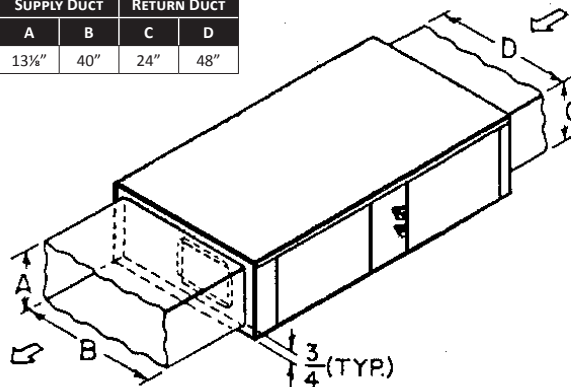
MINIMUM SUPPLY AND RETURN DUCT DIMENSIONS

DIMENSIONAL DATA FOR ELECTRIC HEATER KITS

- 15, 20, & 30 kW Heater Kits
- Supply opening is 13 3/4" x 40 1/4"



SUPPLY DUCT		RETURN DUCT	
A	B	C	D
13 3/4"	40"	24"	48"



19001 Kermier Rd, Waller, TX 77484

www.daikinac.com www.daikincomfort.com

(Daikin's products are subject to continuous improvements. Daikin reserves the right to modify product design, specifications and information in this data sheet without notice and without incurring any obligations)