

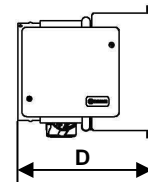
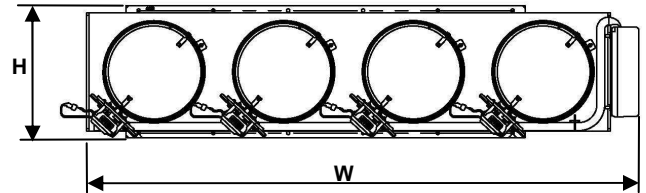
Submittal Data Sheet

DZK030E4 – Zoning Box rev.1.03

Project Name: _____
 Location: _____
 Engineer: _____
 Submitted to: _____
 Submitted by: _____
 Reference: _____

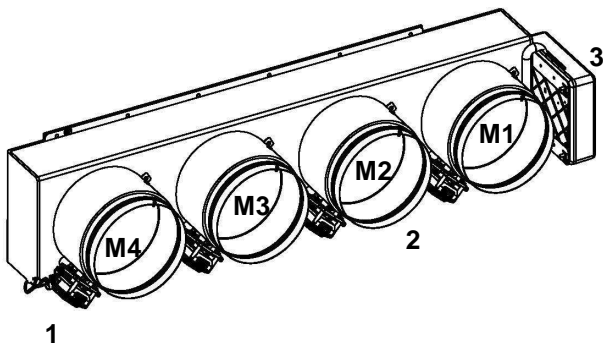
Approval: _____
 Date: _____
 Construction: _____
 Unit #: _____
 Drawing #: _____

Model	DZK030E4
Description	Zoning Box
Compatible Indoor Units	FBQ18 - 30PVJU; FXMQ15 - 24PAVJU
Damper Control	Flow Control System by Airzone
Damper Size	8"
Number of Dampers	4
Insulation Value	R4
Weight (Mass)	18.04lb (8.2 kg)
Size	W: 43.58" (1107 mm) H: 10.43" (265 mm) D: 10.43" (265 mm)



Features / Benefits:

- Allows multiple individually controlled zones with one Daikin Indoor Unit fan coil.
- Individual design for each Daikin unit model.
- Reduced size and weight.
- Fast and simple assembly.
- Manual setting of maximum and minimum flow rate for each damper.



Ref	Function
1	Actuator
2	Damper
3	Main Control Board
M1 ... M4	Dampers number from 1 to 4

Note: Dampers are numbered starting with number 1 next to the Zoning box Control Board.



Project Name:	Approval:
Location:	Date:
Engineer:	Construction:
Submitted to:	Unit #:
Submitted by:	Drawing #:
Reference:	

Dimensional Drawing: (Units inch)

