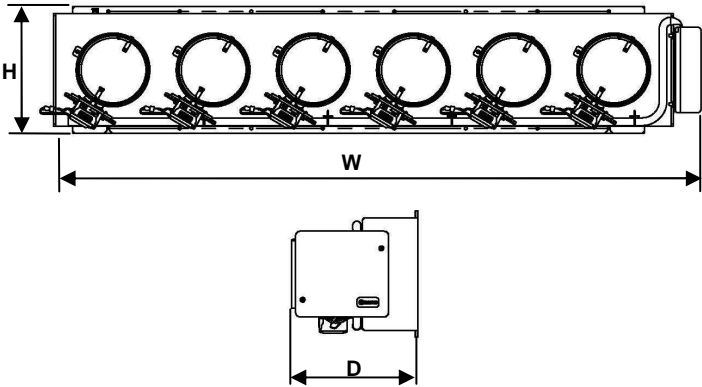


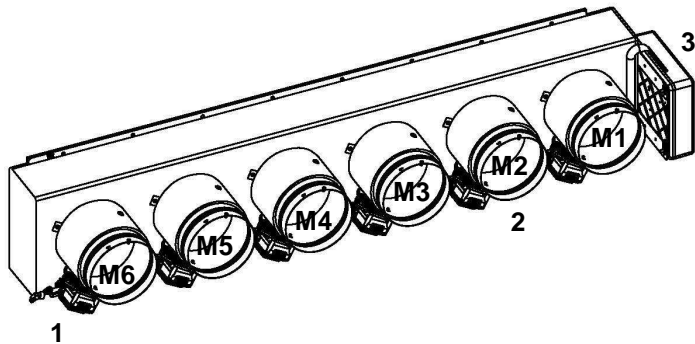
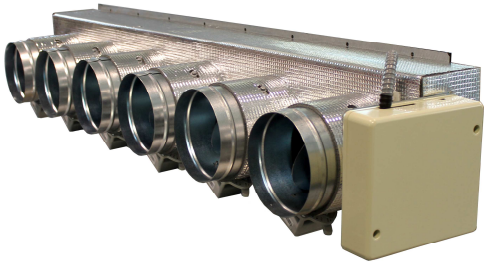
Project Name: _____	Approval: _____
Location: _____	Date: _____
Engineer: _____	Construction: _____
Submitted to: _____	Unit #: _____
Submitted by: _____	Drawing #: _____
Reference: _____	

Model	DZK048E6
Description	Zoning Box
Compatible Indoor Units	FBQ36 - 42PVJU; FXMQ30 - 54PAVJU
Damper Control	Flow Control System by Airzone
Damper Size	6"
Number of Dampers	6
Insulation Value	R4
Weight (Mass)	23.32lb (10.6 kg)
Size	W: 53.46" (1358 mm) H: 10.43" (265 mm) D: 10.43" (265 mm)



**Features / Benefits:**

- Allows multiple individually controlled zones with one Daikin Indoor Unit fan coil.
- Individual design for each Daikin unit model.
- Reduced size and weight.
- Fast and simple assembly.
- Manual setting of maximum and minimum flow rate for each damper.



Ref	Function
1	Actuator
2	Damper
3	Main Control Board
M1 ... M6	Dampers number from 1 to 6

**Note:** Dampers are numbered starting with number 1 next to the Main Control Board.



Project Name: _____	Approval: _____
Location: _____	Date: _____
Engineer: _____	Construction: _____
Submitted to: _____	Unit #: _____
Submitted by: _____	Drawing #: _____
Reference: _____	

**Dimensional Drawing: (Units inch)**

