



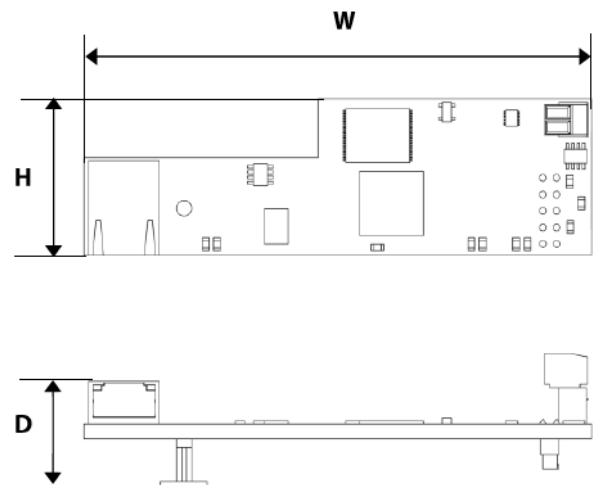
Submittal Data Sheet

Daikin Zoning Kit – BACnet Interface
DZK-BACNET-3

DESCRIPTION

The DZK BACnet Interface greatly enhances the control flexibility of the Daikin DZK by enabling centralized control and monitoring of individual dampers.

Model	DZKBACNET-3
Description	DZK BACnet Interface
Type of Power Supply	VAC
V Max	12V supplied from Main Control Board
I Max	1.8W
Cable Type	UTP cat 6
Standard	T568B
Default IP Address	192.168.0.100
Storage temp range	-4 to 158F (-20 to 70C)
Operation temp range	32 to 122F (0 to 50C)
Operation humidity range	5% to 90% RH (non-condensing)
Size (WxHxD)	5.12 x 1.57 x 1.55 inch



FEATURES

- Open protocol control integration for Daikin DZK
- BACnet/IP (ISO16484-5)
- Centralized monitoring and control of individual zones
- Control and monitoring points include:
 - Zone cooling set point temperature control
 - Zone heating set point temperature control
 - Zone temperature status
 - On/Off status and control
 - User Mode status and control
 - DZK system alarm input status
 - Zone cooling demand status (%)
 - Zone heating demand status (%)
 - Zone damper opening step
 - Associated indoor unit fan speed
 - Associated indoor unit error code
- Installs directly to the DZK main control board with no additional exterior components

OPTIONAL ACCESSORIES

- **DMS502B71** – Daikin BACnet Interface
- **DCM601A71+DCM009A51** – I-touch Manager + BACnet Client

Daikin North America LLC, 5151 San Felipe, Suite 500, Houston, TX 77056

www.daikinac.com www.daikincomfort.com

(Daikin's products are subject to continuous improvements. Daikin reserves the right to modify product design, specifications, and information in this data sheet without notice and without incurring any obligations)

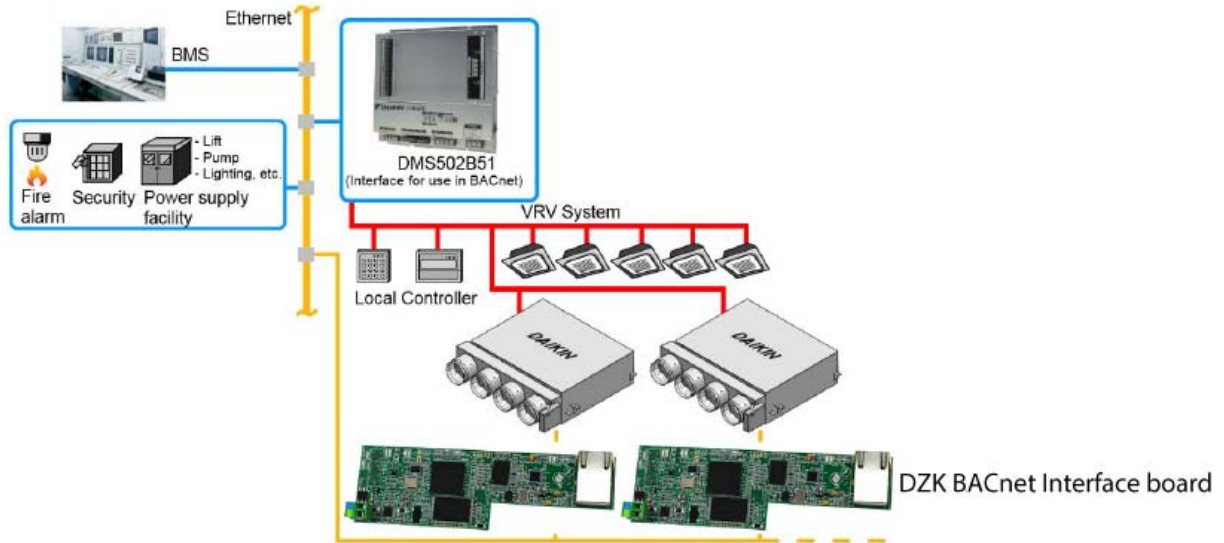


Submittal Data Sheet

Daikin Zoning Kit – BACnet Interface
DZK-BACNET-3

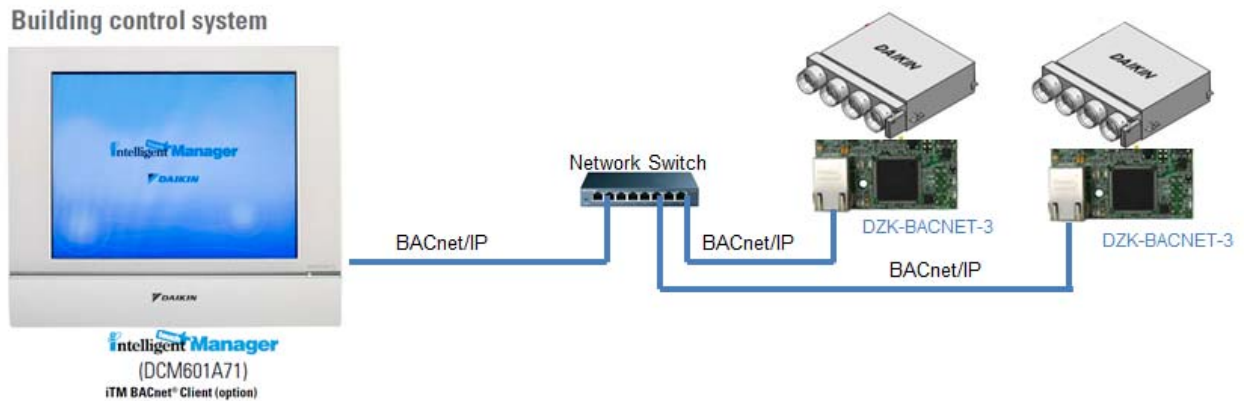
INTEGRATION LAYOUT METHOD 1

Using **DMS502B71**



INTEGRATION LAYOUT METHOD 2

Using **DCM601A71+DCM009A51**



Daikin North America LLC, 5151 San Felipe, Suite 500, Houston, TX 77056

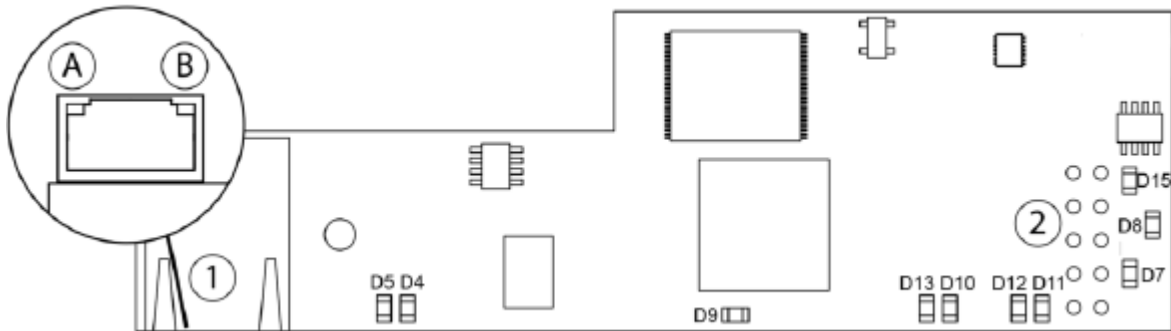
www.daikinac.com www.daikincomfort.com

(Daikin's products are subject to continuous improvements. Daikin reserves the right to modify product design, specifications, and information in this data sheet without notice and without incurring any obligations)

Submittal Data Sheet

Daikin Zoning Kit – BACnet Interface
DZK-BACNET-3

DEVICE ELEMENTS AND LED COMMUNICATION



Meaning	
①	Ethernet
②	Automation bus

Meaning			
D5	Ⓐ	Ethernet connected	Blinking Green
D4	Ⓑ	Ethernet activity	Blinking Yellow / Red
D7		Data transmission from automation	Blinking Red
D8		Data reception from automation bus	Blinking Green
D9		Microswitch performance	Blinking Green
D10		Connected to the Internet	Blinking Green
D11		Network data transmission	Blinking Red
D12		Network data reception	Blinking Green
D13		Configured as IP address through DHCP	On Red
		Configured as Fixed IP address	Off Red
D15		Power supply	Solid Red