



Submittal Data Sheet

4.0-Ton HSP Concealed Ducted Unit
FXMQ48TBVJU

FEATURES

- Low profile chassis design measures 9-11/16" (245 mm) deep.
- Powerful static pressure capability, with up to 0.8 in.w.g. (150 Pa) external static pressure.
- Designed for installation flexibility, with a factory rear-return configuration and field convertible to bottom return.
- DC fan motor with Auto fan speed control optimizes fan energy use by intelligently controlling the fan speed in response to room temperature conditions.
- Ease of installation with auto adjusting airflow at commissioning based on the external static pressure.
- Configurable auxiliary heat control allows for high degree of control of heater on/off temperatures.
- Integral condensate pump with up to 25-5/16" (643 mm) of lift from the drain outlet.
- A maintenance-friendly drain pan inspection port makes it quick and easy to check the conditions of the drain pan.

BENEFITS

- Requires as little as 11-1/4" (285 mm) of clearance above the ceiling thanks to the low profile design.
- Auto fan speed control optimizes fan energy use by automatically adjusting the unit's fan speed as the room temperature approaches the set point.
- The drain pan inspection port simplifies maintenance by allowing for simple and easy inspection of the drain pan conditions.
- Designed for quiet operation, with sound levels as low as 35 dB(A).





Submittal Data Sheet

4.0-Ton HSP Concealed Ducted Unit

FXMQ48TBVJU

PERFORMANCE

Indoor Unit Model No.	FXMQ48TBVJU	Indoor Unit Name:	4.0-Ton HSP Concealed Ducted Unit
Type:	Ducted	Rated Cooling Conditions:	Indoor (°F DB/WB): 80 / 67 Ambient (°F DB/WB): 95 / 75
Rated Cooling Capacity (Btu/hr):	48,000	Rated Heating Conditions:	Indoor (°F DB/WB): 70 / 60 Ambient (°F DB/WB): 47 / 43
Sensible Capacity (Btu/hr):	34,800	Rated Piping Length(ft):	
Cooling Input Power (kW):	0.464	Rated Height Separation (ft):	
Rated Heating Capacity (Btu/hr):	54,000		

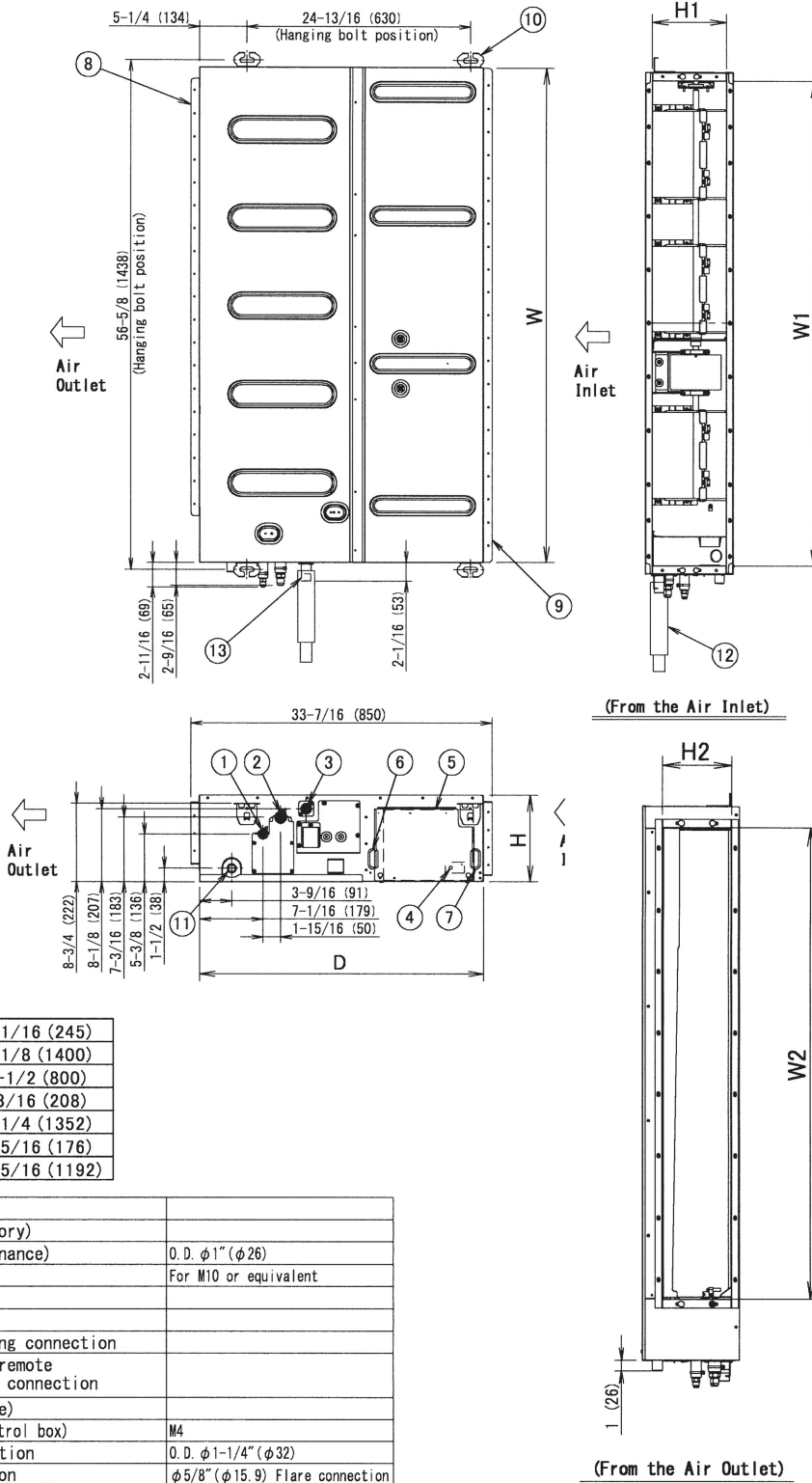
INDOOR UNIT DETAILS

Power Supply (V/Hz/Ph):	208/230 / 60 / 1	Airflow Rate (H) (CFM):	1377
Power Supply Connections:	L1, L2, G	Moisture Removal (Gal/hr):	
Min. Circuit Amps MCA (A):	3.6	Gas Pipe Connection (inch):	5/8
Max Overcurrent Protection (MOP) (A):	15	Liquid Pipe Connection (inch):	3/8
Dimensions (HxWxD) (in):	9-11/16 x 55-1/8 x 31-1/2	Condensate Connection (inch):	1-1/4
Net Weight (lb):	104	Sound Pressure (H/L) (dBA):	48/44/35
Ext. Static Pressure (Rated/Max) (inWg):	0.4 / 0.8	Sound Power Level (dBA):	76

Submittal Data Sheet

4.0-Ton HSP Concealed Ducted Unit
FXMQ48TBVJU

DIMENSIONAL DRAWING



H	9-11/16 (245)
W	55-1/8 (1400)
D	31-1/2 (800)
Air Inlet	H1 8-3/16 (208)
	W1 53-1/4 (1352)
Air Outlet	H2 6-15/16 (176)
	W2 46-15/16 (1192)

ITEM	PART NAME	REMARK
13	Drain socket	
12	Drain hose (Accessory)	
11	Socket (for maintenance)	O. D. ϕ 1" (ϕ 26)
10	Hanger	For M10 or equivalent
9	Air Inlet flange	
8	Air Outlet flange	
7	Power supply wiring connection	
6	Transmission and remote controller wiring connection	
5	Control box (inside)	
4	Ground terminal (Control box)	M4
3	Drain pipe connection	O. D. ϕ 1-1/4" (ϕ 32)
2	Gas pipe connection	ϕ 5/8" (ϕ 15.9) Flare connection
1	Liquid pipe connection	ϕ 3/8" (ϕ 9.5) Flare connection

Note: For additional dimensional data and clearance information, refer to Engineering Data