

Submittal Data Sheet

KRP1C74/75/76/77 – Wiring Adaptor

Project Name:	Approval:
Location:	Date:
Engineer:	Construction:
Submitted to:	Unit #:
Submitted by:	Drawing #:
Reference:	

MODEL COMPATIBILITY:

Part Number	Compatible Indoor Unit Models
KRP1C74 (15.7" Harness)	FXHQ, FXLQ, FXMQ ¹ , FXNQ, FXSQ ¹ , FHQ, FBQ ¹ , FDMQ
KRP1C75 (78.7" Harness)	FXDQ, FXEQ, FXFQ ¹ , FXTQ, FXZQ ¹ , FCQ ¹ , FTQ, FFQ, CXTQ
KRP1C76	FXMQ_TA, FXMQ_TB, FXSQ_TB, FBQ_TB, FXMA, FXSA, FBA, FDMA
KRP1C77	FXFQ_AA, FXZQ_TB, FCQ_AA, FXAA, FXFA, FXTA, FXZA, FAA, FCA, FTA
Not Available	FXAQ, FXUQ, FAQ

Note 1: Some models within these model groups require a different adapter kit. See KRP1C76 and KRP1C77 for these excluded models.

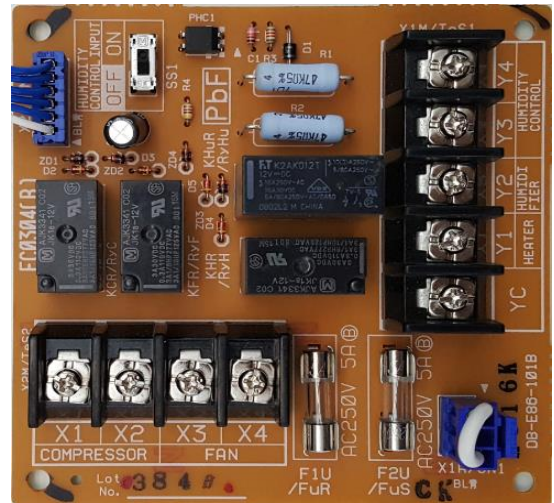
Required Installation Kit/Mounting Plate:

Installation Kit/Mounting Plate	Compatible Indoor Unit Models
KRP1BB101	FXDQ, FXEQ, FXTQ, FXZQ, FXZQ_TB, FTQ, FFQ, CXTQ, FXTA, FTA
KRP1BD101	FXZA
KRP1C93	FXHQ, FHQ
KRP1H98A	FXFQ_T, FCQ, FXFQ_AA, FCQ_AA, FXFA, FCA
KRP1J98A	FXFQ_AA with self-cleaning filter panel, FCA
KRP4A93	FXAA, FAA
KRP4A96	FXMQ, FBQ
KRP4A98	FXSQ_TA, FDMQ, FXMQ_TB, FXSQ_TB, FBQ_TB, FXMA, FXSA, FBA

SPECIFICATIONS:

Model	KRP1C74/75/76/77	
Description	Wiring Adaptor	
Maximum Connections	1 Indoor Unit	
Indoor unit Connection	X16A or X33A	
Dimensions	3.94 x 3.94 inches (100 x 100 mm)	
Weight	0.18lbs (80g)	
Allowable Voltage/Current	X1-X2	Voltage: AC24V – 240V Current: 20mA - 1.2A
	X3-X4	Voltage: AC24V – 240V Current: 20mA - 1.2A
	Y1-YC	Voltage: AC24V – 240V Current: 20mA - 1.2A
	Y2-YC	Voltage: AC24V – 240V Current: 20mA - 1.2A
	Y3-Y4	DO NOT USE

PRODUCT IMAGE:



DAIKIN COMFORT TECHNOLOGIES NORTH AMERICA, INC.

19001 Kermier Road, Waller, TX, 77484
www.daikincomfort.com www.daikincity.com

Rev.0126

(Daikin's products are subject to continuous improvements. Daikin reserves the right to modify product design, specifications, and information in this data sheet without notice and without incurring any obligations)

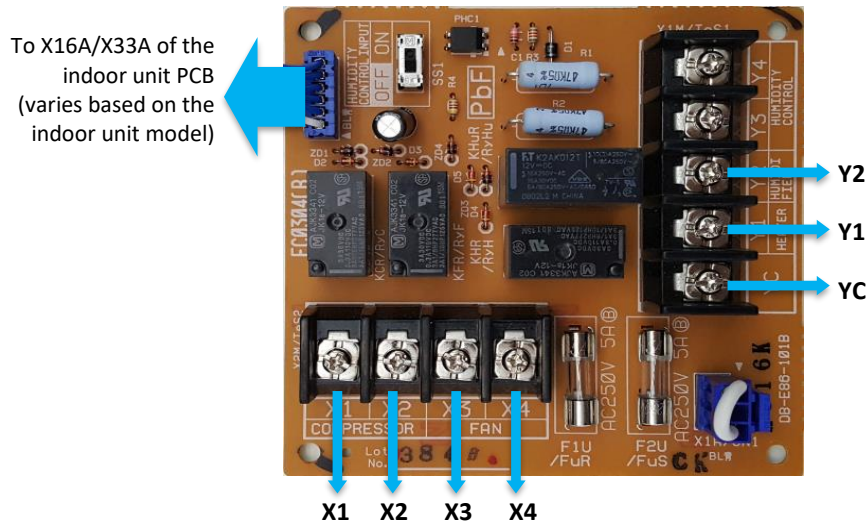
Project Name:	Approval:
Location:	Date:
Engineer:	Construction:
Submitted to:	Unit #:
Submitted by:	Drawing #:
Reference:	

FEATURES:

- Applied to interlock external equipment with indoor unit's operation status.
- X1-X2 provides a normally open dry contact to interlock with the indoor unit's thermo-on/thermo-off status*
- X3-X4 provides a normally open dry contact to interlock with the indoor unit's fan on status.
- Y1-YC provides a normally open dry contact for auxiliary heater control. The auxiliary heater control logic is determined by the indoor unit and varies based on indoor unit model.
- Y2-YC provides a normally open dry contact to interlock with the indoor unit's heating thermo-on status.

* The X1-X2 output can be configured to interlock with indoor unit operation on/off status or Alarm on/off by field setting 12(22)-0-xx

FIELD WIRING:



Submittal Data Sheet

KRP1C74/75/76/77 – Wiring Adaptor

Project Name: _____

Location: _____

Engineer: _____

Submitted to: _____

Submitted by: _____

Reference: _____

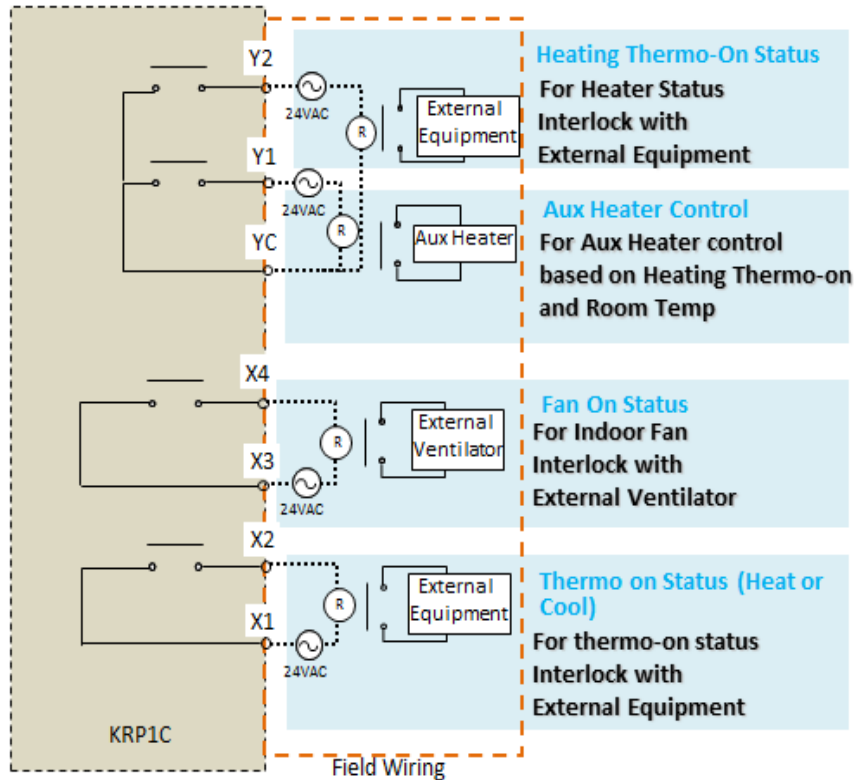
Approval: _____

Date: _____

Construction: _____

Unit #: _____

Drawing #: _____



DOCUMENTATION:

Documentation available on www.daikincity.com and/or www.daikincomfort.com:

- Submittal
- Installation Manual