

Project Name:	Approval:
Location:	Date:
Engineer:	Construction:
Submitted to:	Unit #:
Submitted by:	Drawing #:
Reference:	

MODEL COMPATIBILITY:

Compatible with the following indoor units:

CDXS, CTX*, CTXS, CTXV, FDXS, FTK*, FTKB*, FTKF, FTX*, FTXB*, FTXC, FTXF, FTXG, FTXM, FTXQ, FTXR, FTXS, FTXV, FVXS

The following indoor units do not have the S21 connection and require an additional interface adaptor (ordered separately) to provide the S21 connector:

Indoor Unit Models	Required Interface Adaptor
FTX09NMVJU(A), FTX12NMVJU(A), FTX09WMVJU9, FTX12WMVJU9, FTXQ09ASBU9, FTXQ12ASBU9	KRP067A41E
CTXV07AVJU9, FTXV09AVJU9, FTXV12AVJU9, FTXV15AVJU9, FTXV18AVJU9, FTXV24AVJU9	KRP067A41
FTX15NMVJU(A), FTX15WMVJU9, FTX24NMVJU	KRP980B2E
FTXM09VVJU, FTXM12VVJU, FTXM18VVJU, FTXM24VVJU, FTXM09WVJU9, FTXM12WVJU9, FTXM18WVJU9, FTXM24WVJU9	KER087A41

*FTK_AXVJU, FTKB_AXVJU, FTX_AXVJU, FTXB_AXVJU and CTX_AXVJU units are not compatible.

SPECIFICATIONS:

Model	KRP928BB2S
Description	RA Interface adaptor for DIII-Net
Maximum Connections	1 Indoor Unit
Indoor unit Connection	S21
DIII-Net Connection	F1F2
Dimensions	5.55 x 2.99 x 1.34 inches (141 x 76 x 34 mm)
Weight	0.18lbs (80g)

PRODUCT IMAGE:



Project Name:	Approval:
Location:	Date:
Engineer:	Construction:
Submitted to:	Unit #:
Submitted by:	Drawing #:
Reference:	

FEATURES:

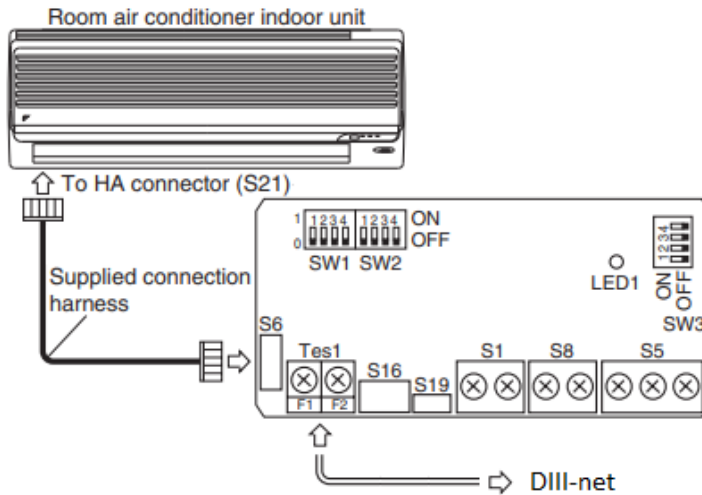
- One KRP928B2S required per RA indoor unit
- The ductless indoor unit can be controlled through DIII-NET (same as VRV indoor unit)
- A group Address needs to be assigned using the onboard dip switch.
- ITM or a BMS can monitor and control the mini split
- Controlled/Monitored points:
 - Run/Stop, Operating Mode & Temperature Setpoint
 - Run/Stop, Operating Mode & Temperature Setpoint Limit at the remote/wireless controllers
 - Operating Status and Errors
- External On/Off input

DOCUMENTATION:

Documentation available on www.daikincity.com and/or www.daikinac.com:

- Submittal
- Installation Manual
- Application Guide

WIRING DIAGRAM:

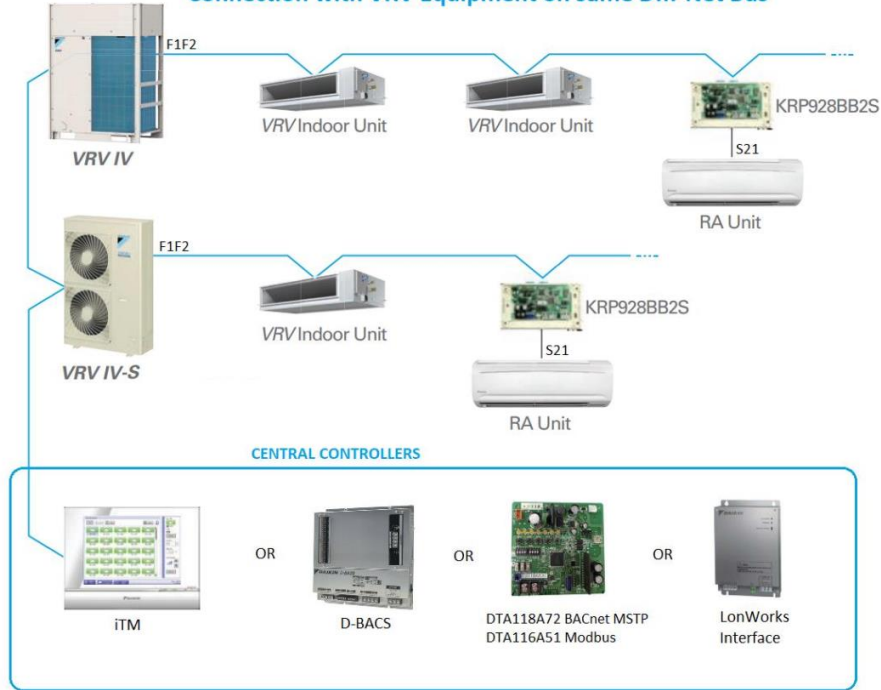


Wiring Diagram for RA indoor unit

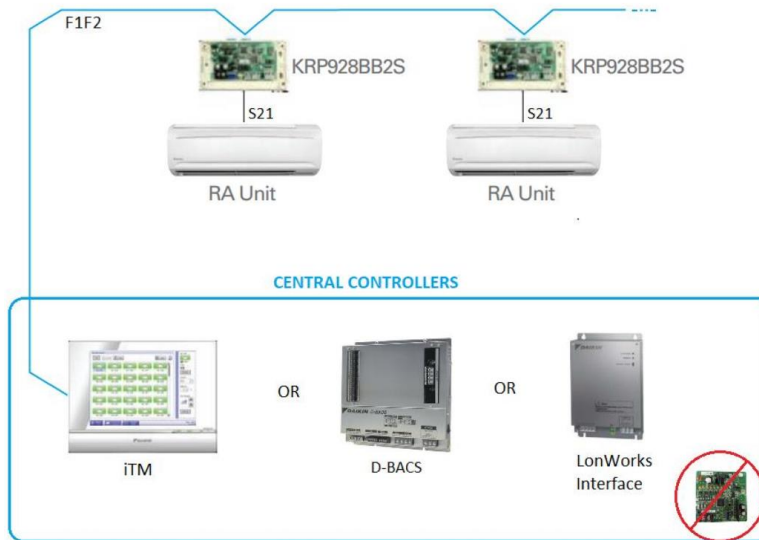
Project Name: _____
 Location: _____
 Engineer: _____
 Submitted to: _____
 Submitted by: _____
 Reference: _____

Approval: _____
 Date: _____
 Construction: _____
 Unit #: _____
 Drawing #: _____

Connection with VRV Equipment on same DIII-Net Bus



Connection with Only RA/QA Equipment on a DIII-Net Bus



DAIKIN COMFORT TECHNOLOGIES NORTH AMERICA, INC.

19001 Kermier Road, Waller, TX, 77484

www.daikinac.com www.daikincity.com

Rev.1024

(Daikin's products are subject to continuous improvements. Daikin reserves the right to modify product design, specifications, and information in this data sheet without notice and without incurring any obligations)