



Submittal Data Sheet

PSPAC-AW – Add-A-Wire Kit

Project Name:	_____	Approval:	_____
Location:	_____	Date:	_____
Engineer:	_____	Construction:	_____
Submitted to:	_____	Unit #:	_____
Submitted by:	_____	Drawing #:	_____
Reference:	_____		

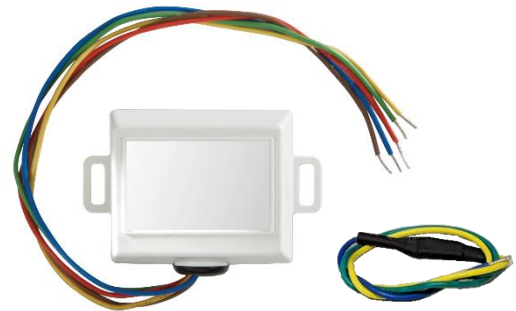
MODEL COMPATIBILITY:

Compatible with models: TSTATD1100-2, TSTATD1152-2, TSTATD2100-2, TSTATD2152-2, D4271C, D4272C, DT4272C, DT4273C, DT4272, DT4273

SPECIFICATIONS:

Model	PSPAC-AW
Description	Daikin Add a Wire Kit
Power	24VAC
Dimensions	2.125" x 1.75"

PRODUCT IMAGE:



FEATURES:

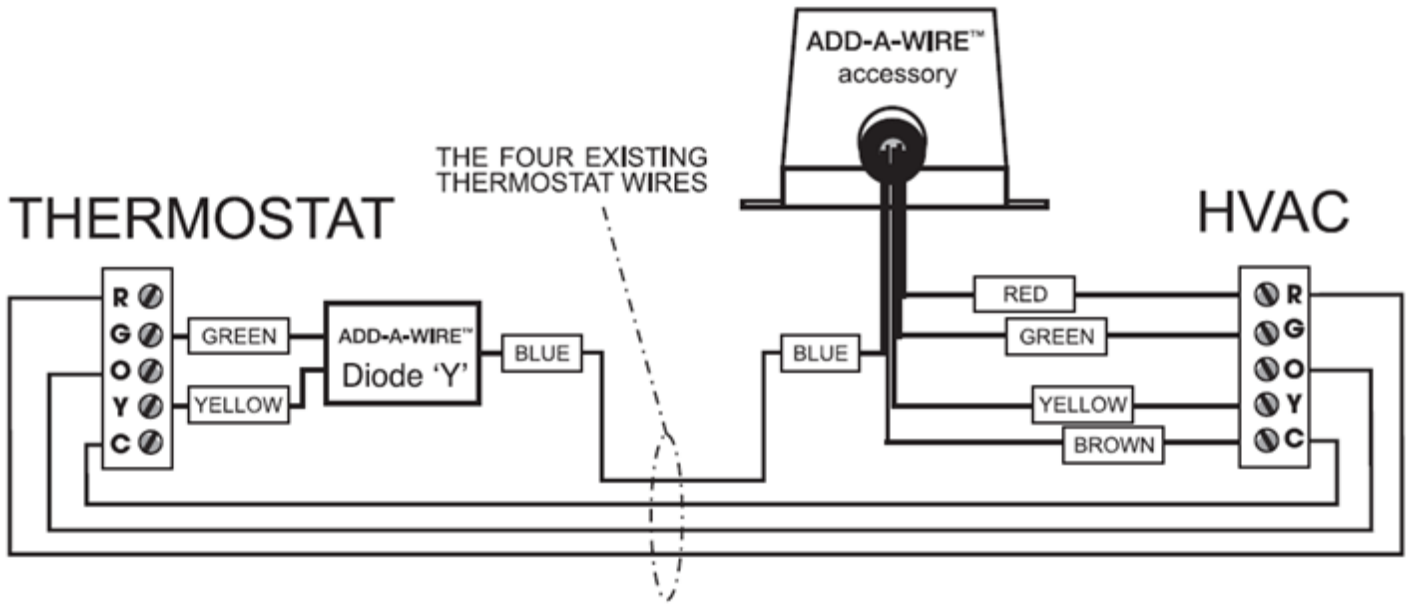
In applications where additional wiring cannot be run, the Add-a-Wire™ accessory can be used to add a wire to the thermostat. For example, if cooling is being added to a heat-only system, or if an existing wire has been broken, or if a common wire is needed on a 4-wire installation; the Add-a-Wire™ accessory allows one thermostat wire to carry two thermostat signals.

Project Name: _____
 Location: _____
 Engineer: _____
 Submitted to: _____
 Submitted by: _____
 Reference: _____

Approval: _____
 Date: _____
 Construction: _____
 Unit #: _____
 Drawing #: _____

WIRING INSTRUCTION:

Example:



4 existing wires with Add-A-Wire™ to accommodate a single stage heat pump.

DOCUMENTATION:

Documentation available on www.daikincity.com, www.daikinac.com and/or www.daikinthermostats.com:

- Submittal
- Installation Manual