



Submittal Data Sheet

PSPAC-OS – Indoor/Outdoor Temperature Sensor

Project Name:	Approval:
Location:	Date:
Engineer:	Construction:
Submitted to:	Unit #:
Submitted by:	Drawing #:
Reference:	

MODEL COMPATIBILITY:

Compatible with models: D4272C, DT4272C, DT4273C, DT4272, DT4273

SPECIFICATIONS:

Model	PSPAC-OS
Description	Indoor/Outdoor Remote Temperature Sensor
Dimensions	2.75" x 4.50"
Measurement Range	-20°F to 120°F
Max. Wire Length	200 ft.

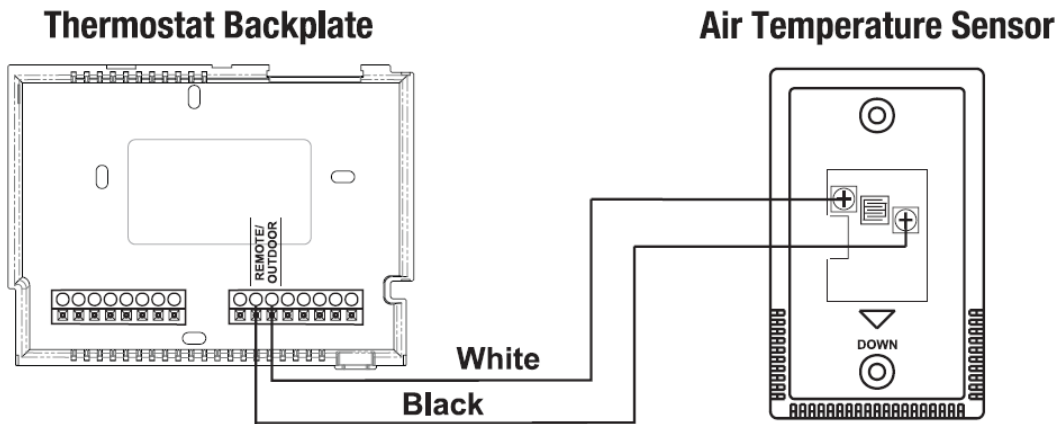
PRODUCT IMAGE:



FEATURES:

- Can be used as Indoor or Outdoor Air Temperature sensor
- Indoor Remote sensor: can be set to control, monitor, or average with the thermostat sensor
- Outdoor Temp Sensor: track high and low temperature for the day
- Recommended wire type: 18-22 gauge, 2-conductor, unshielded. Solid or stranded.
- Maximum wire length is 200 feet

WIRING INSTRUCTIONS:



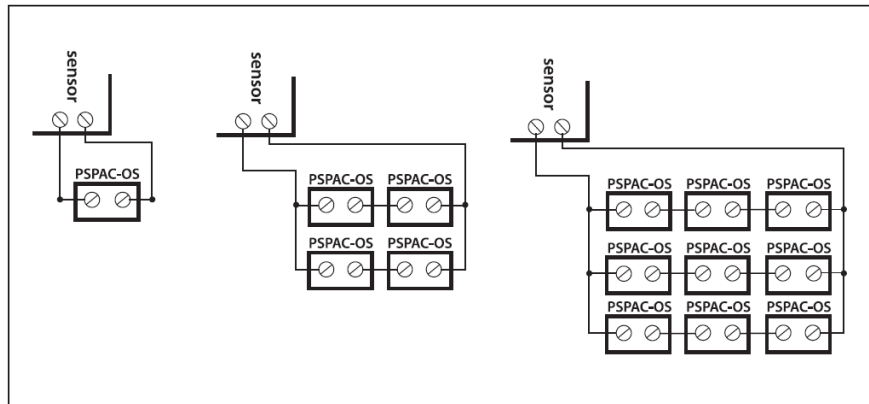
Sensor wiring is not polarity sensitive.

Daikin North America LLC, 19001 Kermier Rd, Waller TX, 77484
www.daikinac.com www.daikincity.com

Project Name:	Approval:
Location:	Date:
Engineer:	Construction:
Submitted to:	Unit #:
Submitted by:	Drawing #:
Reference:	

Multiple sensors can be wired for temperature averaging using 2x2, 3x3, etc sensors wired in series/parallel configuration.

AVERAGING MULTIPLE PSPAC-OS SENSORS



DOCUMENTATION:

Documentation available on www.daikincity.com, www.daikinac.com and/or www.daikinthermostats.com:

- Submittal
- Installation Manual