



# Submittal Data Sheet

## PSPAC-OS – Indoor/Outdoor Temperature Sensor

Project Name: _____	Approval: _____
Location: _____	Date: _____
Engineer: _____	Construction: _____
Submitted to: _____	Unit #: _____
Submitted by: _____	Drawing #: _____
Reference: _____	

### MODEL COMPATIBILITY:

Compatible with models: D4271C, D4272C, DT4272C, DT4273C, DT4272, DT4273

### SPECIFICATIONS:

<b>Model</b>	PSPAC-OS
<b>Description</b>	Indoor/Outdoor Remote Temperature Sensor
<b>Dimensions</b>	2.75" x 4.50"
<b>Measurement Range</b>	-20°F to 120°F
<b>Max. Wire Length</b>	200 ft.

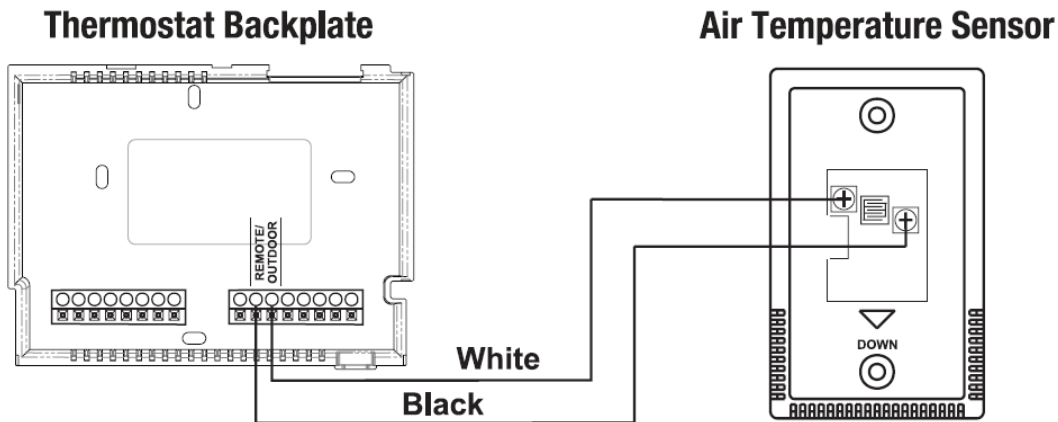
### PRODUCT IMAGE:



### FEATURES:

- Can be used as Indoor or Outdoor Air Temperature sensor
- Indoor Remote sensor: can be set to control, monitor, or average with the thermostat sensor
- Outdoor Temp Sensor: track high and low temperature for the day
- Recommended wire type: 18-22 gauge, 2-conductor, unshielded. Solid or stranded.
- Maximum wire length is 200 feet

### WIRING INSTRUCTIONS:



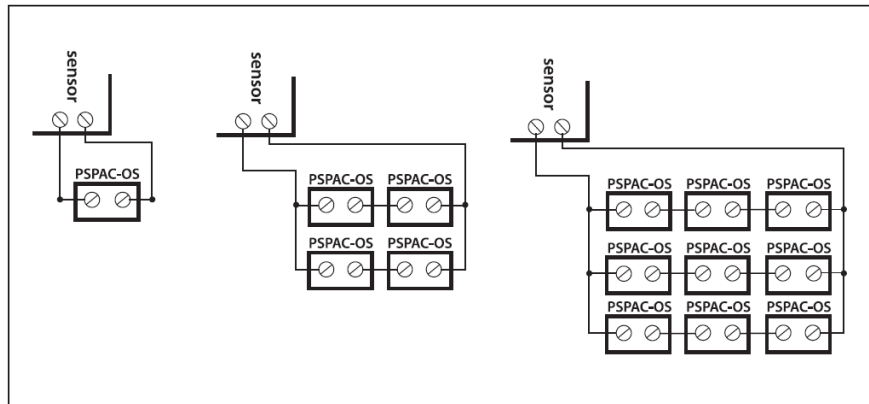
**Sensor wiring is not polarity sensitive.**

Daikin North America LLC, 19001 Kermier Rd, Waller TX, 77484  
[www.daikinac.com](http://www.daikinac.com) [www.daikincity.com](http://www.daikincity.com)

Project Name:	Approval:
Location:	Date:
Engineer:	Construction:
Submitted to:	Unit #:
Submitted by:	Drawing #:
Reference:	

Can be wired for temperature averaging using 2x2, 3x3, etc sensors wired in series/parallel configuration.

### AVERAGING MULTIPLE PSPAC-OS SENSORS



### DOCUMENTATION:

Documentation available on [www.daikincity.com](http://www.daikincity.com), [www.daikinac.com](http://www.daikinac.com) and/or [www.daikinthermostats.com](http://www.daikinthermostats.com):

- Submittal
- Installation Manual