



# Submittal Data Sheet

PSPAC-PWF – Premium Thermostat WiFi Key

Project Name: _____	Approval: _____
Location: _____	Date: _____
Engineer: _____	Construction: _____
Submitted to: _____	Unit #: _____
Submitted by: _____	Drawing #: _____
Reference: _____	

### MODEL COMPATIBILITY:

Compatible with models: D4271C, D4272C

### SPECIFICATIONS:

<b>Model</b>	PSPAC-PWF
<b>Description</b>	Premium Thermostat WiFi Key
<b>Dimensions</b>	1.45" x 2.15"

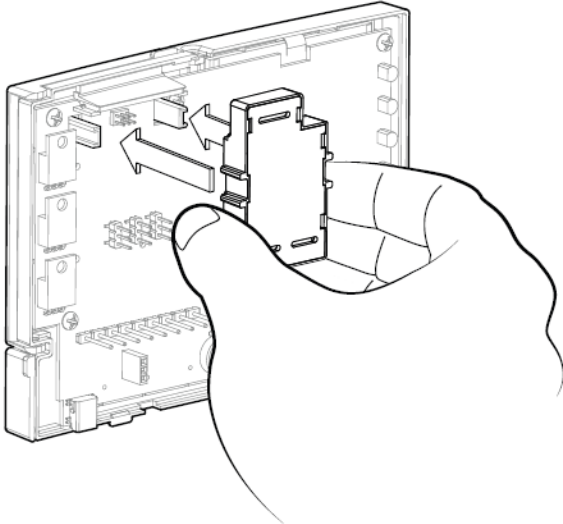
### PRODUCT IMAGE:



### FEATURES:

- Add Wifi to Daikin Premium Series Thermostats
- Access via Skyport Cloud Service, Daikin Skyport App for Apple and Android
- Allows for monitoring, control, and troubleshooting remotely
- 802.11 b/g/n wireless
- WEP and WPA/WPA2 compatible

### INSTALL INSTRUCTION:



See Installation Manual for more details.

Daikin North America LLC, 19001 Kermier Rd, Waller TX, 77484  
[www.daikinac.com](http://www.daikinac.com) [www.daikincity.com](http://www.daikincity.com)

(Daikin's products are subject to continuous improvements. Daikin reserves the right to modify product design, specifications and information in this data sheet without notice and without incurring any obligations)



# Submittal Data Sheet

PSPAC-PWF – Premium Thermostat WiFi Key

Project Name:	_____	Approval:	_____
Location:	_____	Date:	_____
Engineer:	_____	Construction:	_____
Submitted to:	_____	Unit #:	_____
Submitted by:	_____	Drawing #:	_____
Reference:	_____		

## DOCUMENTATION:

Documentation available on [www.daikincity.com](http://www.daikincity.com), [www.daikinac.com](http://www.daikinac.com) and/or [www.daikinthermostats.com](http://www.daikinthermostats.com):

- Submittal
- Installation Manual